



# Marbett Conveyor Components

Issue 14

## CONVEYOR COMPONENTS

- Chain Guide Components Page S002
- Product Handling Components Page S048
- Frame Support Components Page S172
- Miscellaneous Components Page S190

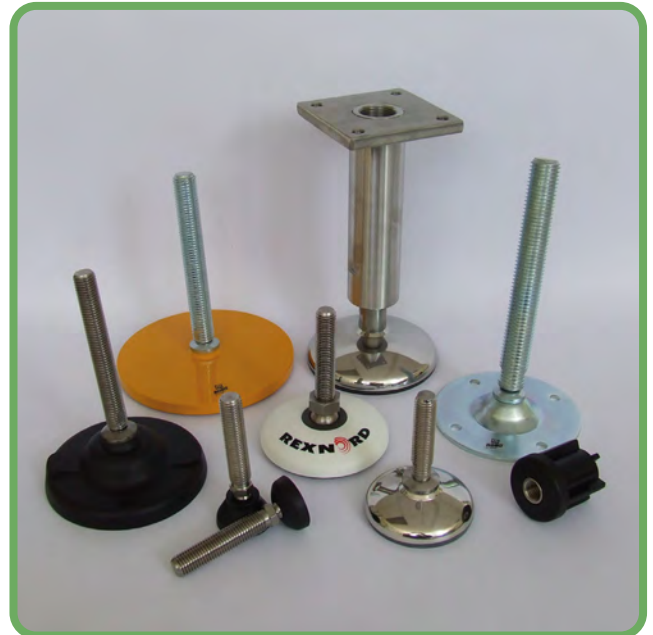
S001 - S229



## SUPPORTING AND LEVELLING ELEMENTS

- Articulated Feet in Reinforced Polyamide Page R08
- Articulated Feet Gripper Page R28
- Articulated Feet in Steel Page R40
- Fixed Feet in Reinforced Polyamide and Rubber Page R48
- Fixed Feet in Steel Page R50
- Vibration absorbing Feet Page R53
- Anti-Slip Supports Page R54
- Threaded Bushings Page R56

R00 - R59

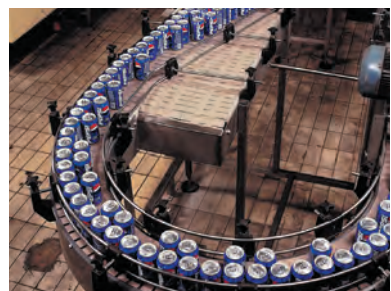


## SELF-ALIGNING BEARINGS

- Square Flange Bearing Units Page B04
- Oval Flange Bearing Units Page B24
- Pillow Block Type Bearing Units Page B42
- Compact Pillow Block Type Bearing Units Page B46
- Side Flange Bearing Units Page B50
- Take-up Bearing Units Page B54
- Round Flange Bearing Units Page B58

B00 - B81





## The company

Rexnord is a global company supplying many industries with power transmission and conveying components. The product offering ranges from roller chains, couplings and geared products to conveyor chains, belts and components.

The head office is based in the United States, with several divisions all over the world. The Rexnord FlatTop division is manufacturing conveyor chains, belts and components.

Rexnord is fully committed to meet customer expectations; huge knowledge of the business reduces maintenance costs, eliminates redundant inventories and prevents downtime, all in close co-operation with OEMs and end users. This is a result of Rexnord's focus on product development, application engineering, operations and customer service.

Rexnord FlatTop Europe represents 3 strong brands: Rexnord, MCC and Marbett.

With production facilities in 's-Gravenzande and Correggio, sales offices in The Netherlands and Italy, a large sales group for local service in many countries and distributors all over the world, Rexnord is always close to its customers. In this way a fast and reliable delivery is guaranteed.

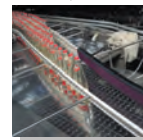
Rexnord chains and belts are being used to convey a wide variety of products: bottles, cans, boxes, crates, tires, loose food, glass jars, PET containers, trays; shortly every transport in production halls in virtually any industry.

The product range has been split up over two catalogues, one for Rexnord/MCC Table Top/MatTop chains and one for Marbett conveyor components.

## The industries served

As the handling specialist in the field of conveying, the Rexnord product portfolio is providing solutions for complete lines in several industries in order to improve productivity.

In beverage industry palletizers, depalletizers, washers, labelers, fillers, pasteurizers, inliners, outfeeds, elevators and accumulation tables are equipped with slatband chains, curves, sprockets, belts, bearings, leveling elements and many more conveyor components.



For the container manufacturing industry special products and materials are available, such as abrasion resistant polyamide for glass plants, vacuum chains for can making and gripper chains for vertical transport.

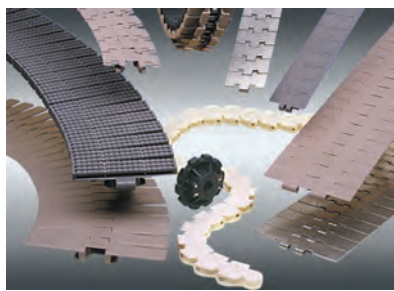
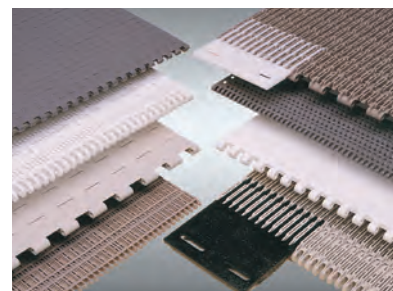


A wide range of products is also offered for blanchers, cookers, washers, coolers and processing lines in fruit, vegetables, bakery, confectionary etc. And many more products are available for the handling of packed food.



In automotive industry the products are engineered to meet the most demanding applications, such as rubber processing and tire handling.

This is just a short selection of the applications in which Rexnord products are being used. Among others they have also found their way into pharmaceutical production lines, battery manufacture, paper and cardboard production.



## Rexnord and MCC TableTop chains and MatTop belts

The product line can be split up into:



- Steel slatband chains  
In various materials ranging from carbon steel to special stainless steel with better wear and sliding properties; types straight running, sideflexing tab, bevel and Magnetflex, with

and without rubber top.

- Plastic slatband chains  
Wide range of materials and various executions; single hinge, double hinge, heavy duty, vacuum, lbp rollers and rubber top.



- Plate Top and Gripper chains  
Based on the Rexnord roller chains in both stainless and carbon steel; Plate Top chains have steel or plastic top plates; Gripper chains have different types of rubber inserts.

- Case conveyor and Multiflex chains  
Different types of acetal for both straight running and sideflexing transport of products varying from heavy crates to small juice packs.

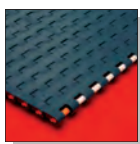


- Curves  
Magnetflex, Tab and bevel, as well as straight tracks to support the chain in all parts of the line; there are many standard versions besides the ability to make any special curve needed

in your applications with short delivery times.

- Modular belts

Pitches differ from 0.5 to 2.25 inch to suit any application. Most series have both closed and open top executions; some also available with rubber top for inclined conveying.



## Marbett conveyor components

The product line can be split up into:

- Chain guide components  
Profiles, corner tracks, straight tracks, return rollers, serpentine, plugs for connections.



- Product handling components  
Guide rails, roller guides, guide rail clamps, guide rail brackets and connecting clamps in plastic or stainless steel.

- Frame support components  
Side mounting top brackets, bearing heads, support bases and connecting joints, stainless steel components.



- Supporting and leveling elements  
Different versions in steel and plastic, articulated and fixed, with and without gripper bottom and vibration absorbing feet.

- Self-aligning bearings  
Square, oval, pillow block, side flange, take-up, round, and other executions, all with open and closed unit. Lubricated for life versions are also available.



- Miscellaneous components  
Line control elements, hinges, locks, knobs, modular transfer roller plates, rollers, tensioners, nozzles, cable carriage chains, shaft collars and nose-over bars.

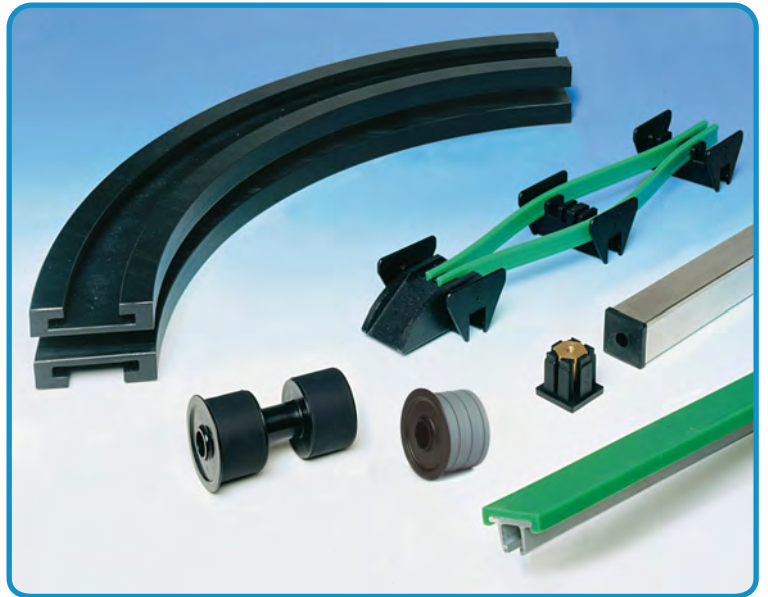
## **CHAIN GUIDE COMPONENTS**

**Chain Guide Profiles Page S002**

**Roller Guides for Chain Return Page S029**

**Serpentine Guides for Chain Return Page S040**

**Plugs for Connection Page S046**



## **PRODUCT HANDLING COMPONENTS**

**Product-Guides Page S048**

**Guide-Rail Clamps Page S118**

**Guide-Rail Brackets Page S137**

**Connecting Clamps Page S166**



## FRAME SUPPORT COMPONENTS

- Side Mounting top Brackets Page S172
- Bearing Heads Page S174
- Support Bases Page S176
- Connecting Joints Page S180
- Support Heads (Stainless steel) Page S185
- Support Bases (Stainless steel) Page S186
- Connecting Joints (Stainless steel) Page S188



## MISCELLANEOUS COMPONENTS

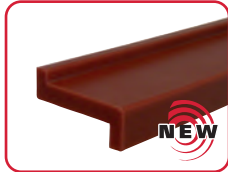
- Line Control Elements Page S190
- Hinges Page S194
- Locks Page S196
- Tightening Elements Page S197
- Modular transfer roller plate Page S202
- Modular Nose-Over Bar Page S210
- Shaft collars Page S212
- Winding Tensioners Page S214
- Caps Page S215
- Cable Carriage Chains Page S216
- Nozzles Page S217
- Side Guide Adjustment Page S218



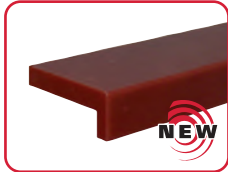
## TECHNICAL INFORMATION

Technical information Page S224

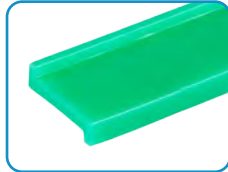
Chain Guide Profiles



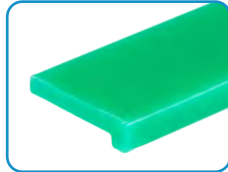
Part. S0262 - Pag. S002  
Chain guide profile.



Part. S0386 - Pag. S002  
Chain guide profile.



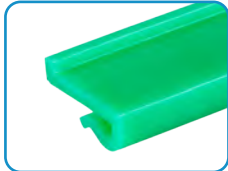
Part. S0241 - Pag. S003  
Chain guide profile.



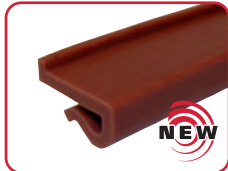
Part. S0243 - Pag. S003  
Chain guide profile.



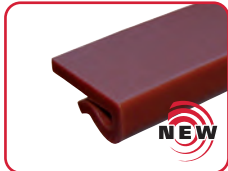
Part. S0822 - Pag. S004  
Chain guide profile.



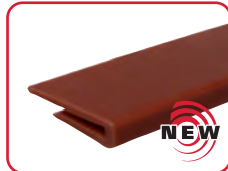
Part. S0825 - Pag. S004  
Chain guide profile.



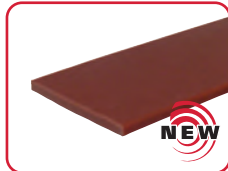
Part. S0251 - Pag. S005  
Chain guide profile.



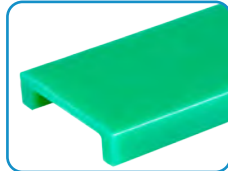
Part. S0261 - Pag. S005  
Chain guide profile.



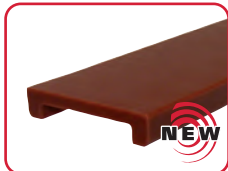
Part. S0840 - Pag. S006  
Chain guide profile.



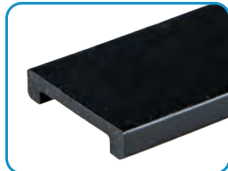
Part. S0244 - Pag. S006  
Chain guide profile.



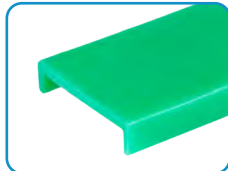
Part. S0784 - Pag. S007  
Chain guide profile.



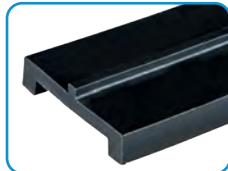
Part. S0362 - Pag. S007  
Chain guide profile.



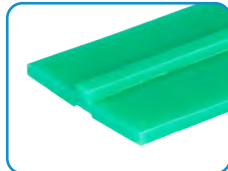
Part. S0387 - Pag. S008  
Chain guide profile.



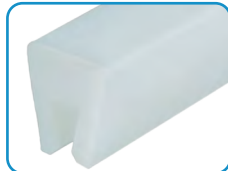
Part. S0824 - Pag. S008  
Chain guide profile.



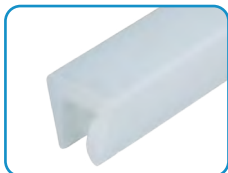
Part. S0263 - Pag. S009  
Chain guide profile.



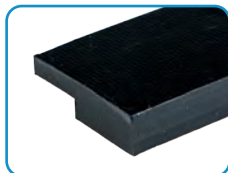
Part. S0242 - Pag. S009  
Chain guide profile.



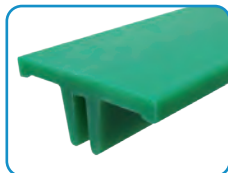
Part. S0634 - Pag. S010  
Chain guide profile.



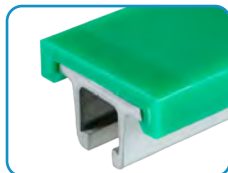
Part. S0814 - Pag. S010  
Chain guide profile.



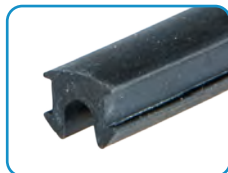
Part. S0742 - Pag. S011  
Chain guide profile.



Part. S0674 - Pag. S011  
Chain guide profile.



Part. S0422 - Pag. S012  
Chain guide profile.



Part. S0370 - Pag. S012  
Sealing profile for Part.  
S0366-S0367-S0368-S0422.



Part. S0369 - Pag. S012  
Connecting bar for  
Part. S0422.



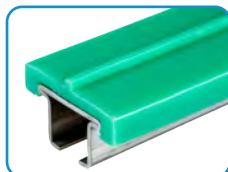
Part. S0884 - Pag. S013  
Chain guide profile.



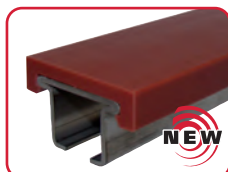
Part. S0885 - Pag. S013  
Chain guide profile.



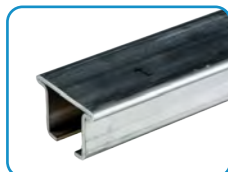
Part. S0886 - Pag. S013  
Chain guide profile.



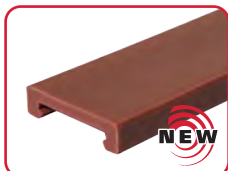
Part. S0366 - Pag. S014  
Chain guide profile.



Part. S0367 - Pag. S014  
Chain guide profile.



Part. S0368 - Pag. S015  
Chain guide profile.



Part. S0885 - Pag. S015  
Chain guide profile.



Part. S0886 - Pag. S015  
Chain guide profile.



Part. S0858 - Pag. S016  
Hinge Joint.



Part. S0559 - Pag. S016  
Clamp for  
Part. S0366-S0367-S0368



Part. S0371 - Pag. S017  
Mounting block for  
Part. S0366-S0367-S0368.



Part. S0621 - Pag. S017  
Connecting block for  
Part. S0366-S0367-S0368.



Part. S0550 - Pag. S018  
Chain inlet guide for  
Part. S0366.



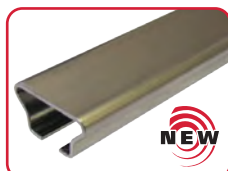
Part. S0550 - Pag. S018  
Chain inlet guide for  
Part. S0367.



Part. S0669 - Pag. S019  
Side transfer guide shoe.



Part. S0551 - Pag. S020  
Chain inlet guide for  
Part. S0261-S0243-S0244.



Part. S0833 - Pag. S021  
Chain guide profile.

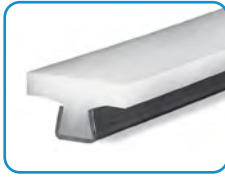


Part. S0768 - Pag. S022  
Chain guide profile.

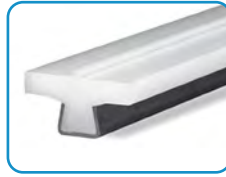
Product Range



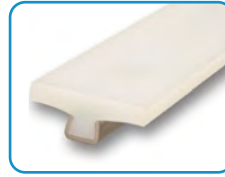
Part. S0767 - Pag. S022  
Chain guide profile.



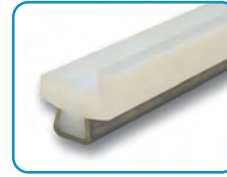
Part. S0356 - Pag. S023  
Chain guide profile.



Part. S0310 - Pag. S023  
Chain guide profile.



Part. S0765 - Pag. S023  
Chain guide profile.



Part. S0766 - Pag. S024  
Chain guide profile  
for modular chains.



Part. S0764 - Pag. S024  
Chain guide profile  
for TAB chains.



Part. S0223 - Pag. S025  
Chain guide profile for  
roller chain ANSI 60.



Part. S0274 - Pag. S025  
Chain guide profile for  
roller chain ISO 12 B1.



Part. S0903 - Pag. S026  
ViseClamp™.



Part. S0902 - Pag. S026  
ViseSplice™.



Part. S0215 - Pag. S027  
Clamp.



Part. S0216 - Pag. S027  
Clamp.

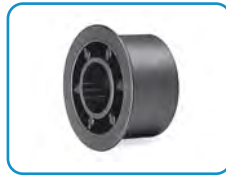


Part. S0275 - Pag. S028  
Clamp.

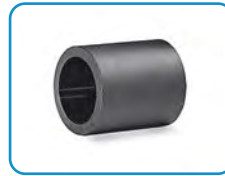
Roller for  
Chain  
Return



Part. S0153 - Pag. S029  
Snap-on wear shoe.



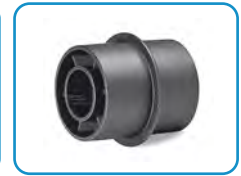
Part. S0073 - Pag. S030  
Roller ø 42,5 mm. For K82,5.  
For K82,5/pitch 83,5-88.



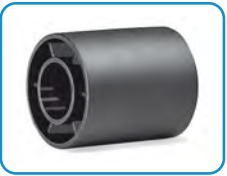
Part. S0126 - Pag. S030  
Distance gear.



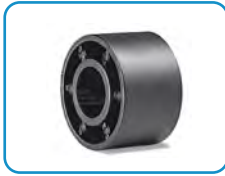
Part. S0125 - Pag. S030  
Double roller ø 42,5 mm. Multiple  
strands K82,5 / pitch 88.



Part. S0125 - Pag. S031  
Double roller ø 42,5 mm. Multiple  
strands K82,5 / pitch 85..



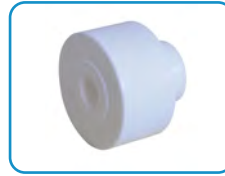
Part. S0421 - Pag. S031  
Roller ø 42,5 mm. Multiple  
strands K82,5 / pitch 83,5.



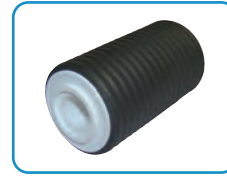
Part. S0388 - Pag. S031  
Roller ø 42,5 mm. Multiple  
strands K87 / pitch 88



Part. S0727 - Pag. S032  
Roller ø 46 mm. high sanitation.  
Multiple str. K82,5/84-K114,3/120.



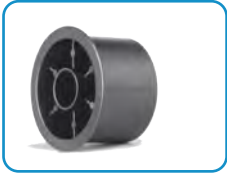
Part. S0728 - Pag. S032  
Roller ø 46 mm. high sanitation.  
Multiple strands K82,5/pitch 84.



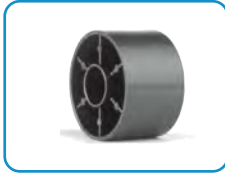
Part. S0826 - Pag. S033  
Roller.



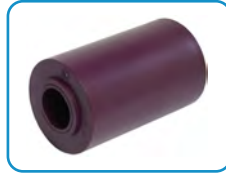
Part. S0827 - Pag. S033  
Guide flange.



Part. S0561 - Pag. S034  
Roller ø 50 mm. For K82,5. Multiple  
strands K82,5 / pitch 83,5-88.



Part. S0560 - Pag. S034  
Roller ø 50 mm. Multiple  
strands K82,5 / pitch 83,5.



Part. S0782 - Pag. S035  
Double roller.  
Ø 50 mm.



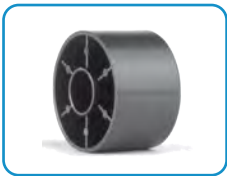
Part. S0783 - Pag. S035  
Double roller with flange.  
Ø 50 mm.



Part. S0787 - Pag. S035  
Guide flange.



Part. S0556 - Pag. S036  
Roller ø 60 mm. For K82,5. Multiple  
strand K82,5 / pitch 83,5-88.



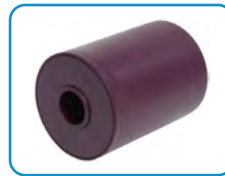
Part. S0554 - Pag. S036  
Roller ø 60 mm. Multiple  
strands K82,5/pitch 83,5-85.



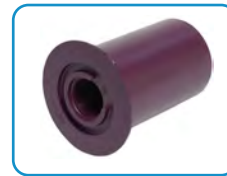
Part. S0614 - Pag. S037  
Roller ø 60 mm. For K82,5. Multiple  
strand K82,5 / pitch 83,5-88.  
Rubber  
surface



Part. S0613 - Pag. S037  
Roller ø 60 mm. Multiple  
strand K82,5/pitch 83,5-85.  
Rubber  
surface



Part. S0758 - Pag. S038  
Double roller.  
Ø 60 mm.

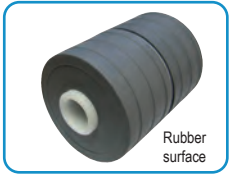


Part. S0778 - Pag. S038  
Double roller with flange.  
Ø 60 mm.



Part. S0555 - Pag. S038  
Guiding flange for part.  
S0554-S0613-S0657-S0758.



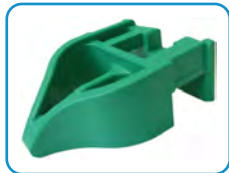


Part. S0657 - Pag. S039  
Roller ø 60 mm. Multiple strand K82,5 / pitch 85.



Part. S0624 - Pag. S039  
Distance gear.

Serpentine Guides for Chain Return



Part. S0729 - Pag. S040  
Chain return guide.



Part. S0524 - Pag. S040  
Sliding profile.



Part. S0523 - Pag. S041 - S042  
Spacer.



Part. S0533 - Pag. S043  
Striker.



Part. S0533 - Pag. S043  
Striker (centre). Multiple strands K82,5 / pitch 85.

Expansion Plugs



Part. S0565 - Pag. S046  
Expansion plug for tubes ø 18-20 mm.



Part. S0179 - Pag. S046  
Expansion plug for tubes ø 38-42,4 mm.

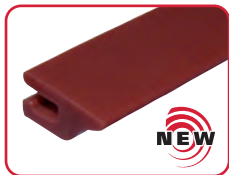


Part. S0566 - Pag. S047  
Expansion plug for square tubes 20 mm.

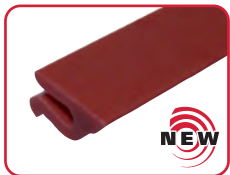


Part. S0592 - Pag. S047  
Expansion plug for square tubes 40 mm.

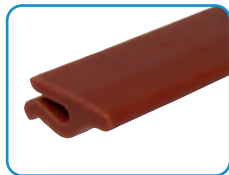
Product Guides



Part. S0834 - Pag. S048  
Overhead transport PET bottles.



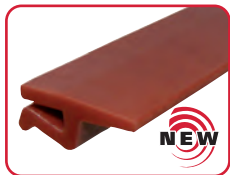
Part. S0838 - Pag. S048  
Overhead transport PET bottles.



Part. S0771 - Pag. S049  
Overhead transport PET bottles.



Part. S0776 - Pag. S049  
Overhead transport PET bottles.



Part. S0839 - Pag. S050  
Overhead transport PET bottles.



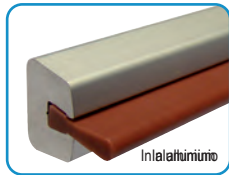
Part. S0835 - Pag. S050  
Overhead transport PET bottles.



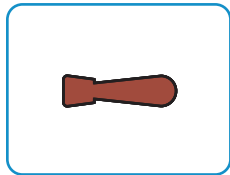
Part. S0594 - Pag. S051  
Overhead transport PET bottles.



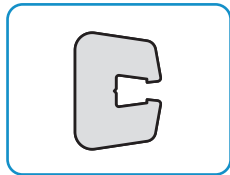
Part. S0654 - Pag. S051  
Overhead transport PET bottles.



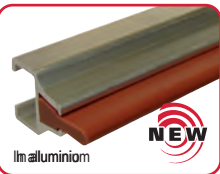
Part. S0715 - Pag. S052  
Side guide. Delicate containers (PET empty).



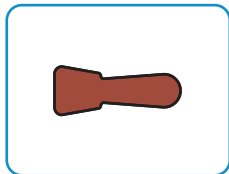
Part. S0717 - Pag. S052  
Plastic profile.



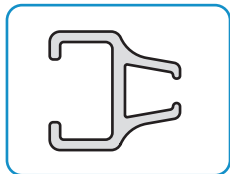
Part. S0717 - Pag. S052  
Metal profile.



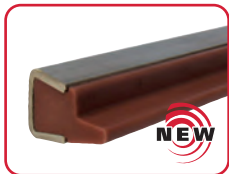
Part. S0832 - Pag. S053  
Side guide. Delicate containers (PET empty).



Part. S0789 - Pag. S053  
Plastic profile.



Part. S0823 - Pag. S053  
Metal profile.



Part. S0308 - Pag. S054  
Overhead transport PET bottles.



Part. S0393 - Pag. S055  
Label protection.



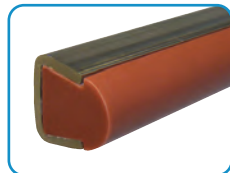
Part. S0596 - Pag. S055  
Label protection. Unstable containers.



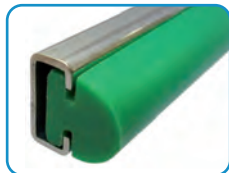
Part. S0317 - Pag. S056  
Half-round guide rail. Delicate containers (PET empty).



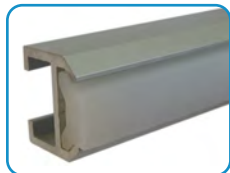
Part. S0223 - Pag. S056  
Flat guide rail. Middle delicate containers (PET full).



Part. S0219 - Pag. S057  
Round guide rail. Middle strong containers (glass).



Part. S0247 - Pag. S057  
Round guide rail. Middle strong containers (glass).

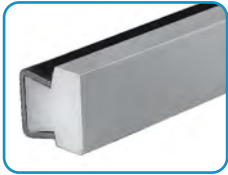


Part. S0346 - Pag. S058  
Half-round guide rail. Low side load (brick).



Part. S0770 - Pag. S059  
Flat guide rail. Rugged containers.

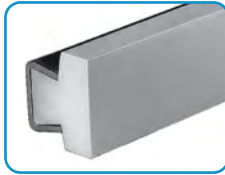
Product Range



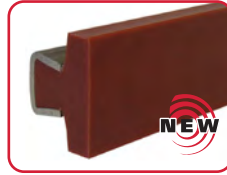
Part. S0769 - Pag. S059  
Flat guide rail.  
Rugged containers.



Part. S0768 - Pag. S060  
Flat guide rail.  
Rugged containers.



Part. S0767 - Pag. S060  
Flat guide rail.  
Rugged containers.



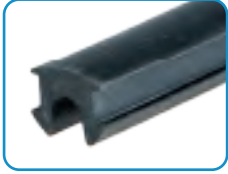
Part. S0273 - Pag. S061  
Flat guide rail.  
Rugged containers.



Part. S0765 - Pag. S061  
Extra flat guide rail.



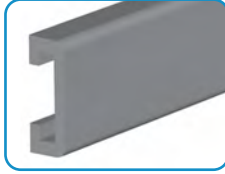
Part. S0422 - Pag. S062  
Extra flat guide rail.  
Rugged containers.



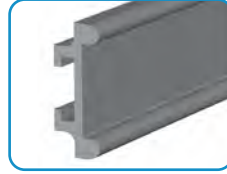
Part. S0370 - Pag. S062  
Sealing profile for Part.422.  
Improves Guide cleanliness.



Part. S0369 - Pag. S062  
Connecting bar for  
Part.S0754-S0755-S0756-  
S0757-S0656.



Part. S0639 - Pag. S063  
Extra flat guide rail.



Part. S0640 - Pag. S063  
Round guide rail.



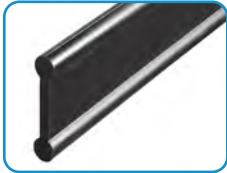
Part. S0641 - Pag. S063  
Metal profile for  
Part. S0639-S0640.



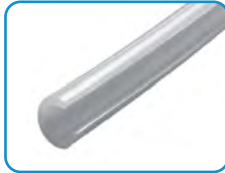
Part. S0642 - Pag. S064  
Extra flat guide rail.  
Rugged containers.



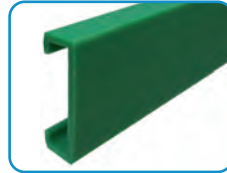
Part. S0643 - Pag. S064  
Metal profile for  
Part. S0642.



Part. S0644 - Pag. S065  
Round guide rail, Middle  
strong containers (glass).



Part. S0645 - Pag. S065  
Profile for round steel rods.



Part. S0539 - Pag. S065  
Extra flat guide rail, Assembly  
with 40x8 mmplate.



Part. S0605 - Pag. S066  
Extra flat centre guide, Glass  
containers without side load.



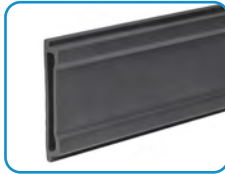
Part. S0606 - Pag. S066  
Divider module for  
Part. S0605.



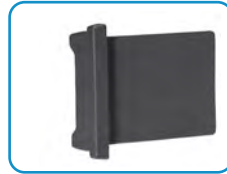
Part. S0605 - Pag. S067  
Extra flat centre guide, Glass  
containers without side load.



Part. S0606 - Pag. S067  
Divider module for  
Part. S0605.



Part. S0191-S0296 - Pag. S068  
Extra large guide rail.  
Assembly with 60x6 mm plate.



Part. S0376-S0377 - Pag. S068  
End plug for  
Part. S0191-S0296.



Part. S0378-S0379 - Pag. S069  
Joint clamp for  
Part. S0191-S0296.



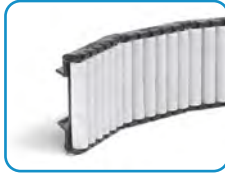
Part. S0581 - Pag. S070  
Roller side guide.  
Thin-walled containers.



Part. S0585 - Pag. S070  
Roller centre guide.  
Thin-walled containers.



Part. S0586 - Pag. S071  
Divider module for  
Part. S0585.



Part. S0581 - Pag. S072  
Roller side guide.  
Thin-walled containers.



Part. S0585 - Pag. S072  
Roller centre guide.  
Thin-walled containers.



Part. S0586 - Pag. S073  
Divider module for  
Part. S0585.



Part. S0580 - Pag. S074  
Roller side guide.  
Medium strength containers.



Part. S0557 - Pag. S074  
Roller centre guide.  
Medium strength containers.



Part. S0570 - Pag. S075  
Divider module for  
Part. S0557.



Part. S0580 - Pag. S076  
Roller side guide.  
Medium strength containers.



Part. S0557 - Pag. S076  
Roller centre guide.  
Medium strength containers.



Part. S0570 - Pag. S077  
Divider module for  
Part. S0557.



Part. S0733 - Pag. S078  
Roller side guides.  
Cans.



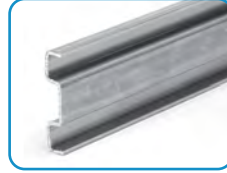
Part. S0721 - Pag. S078  
Roller centre guides.  
Cans.



Part. S0730 - Pag. S079  
Separation Block.



Part. S0628 S - Pag. S080  
Roller side guide.  
Medium strength containers.



Part. S0537 - Pag. S081  
Metal profile 40x8.



Part. S0535 - Pag. S081  
Bolts set for Part. 535.



Part. S0757 - Pag. S082  
Roller side guides with  
cylinder rollers, in aluminium.



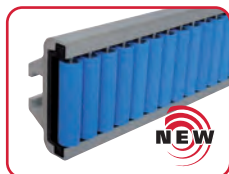
Part. S0755 - Pag. S083  
Centre guides with cylinder rollers, in aluminium.



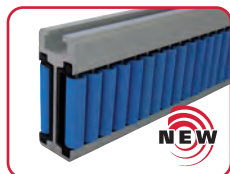
Part. S0757 - Pag. S084  
Roller side guides with cylinder rollers, in aluminium.



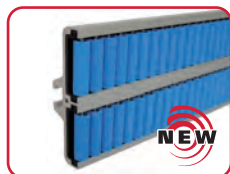
Part. S0755 - Pag. S085  
Centre guides with cylinder rollers, in aluminium.



Part. S0868 - Pag. S086  
Roller side guides with cylinder rollers, in aluminium.



Part. S0869 - Pag. S087  
Centre guides with cylinder rollers, in aluminium.



Part. S0868 - Pag. S088  
Roller side guides with cylinder rollers, in aluminium.



Part. S0869 - Pag. S089  
Centre guides with cylinder rollers, in aluminium.



Part. S0756 - Pag. S090  
Pearl™ roller side guide in aluminium.



Part. S0754 - Pag. S091  
Pearl™ roller centre guide in aluminium.



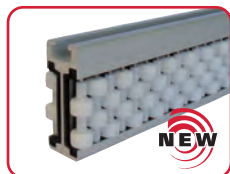
Part. S0756 - Pag. S092  
Pearl™ roller side guide in aluminium.



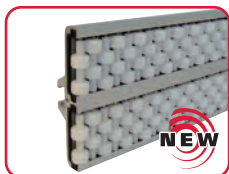
Part. S0754 - Pag. S093  
Pearl™ roller centre guide in aluminium.



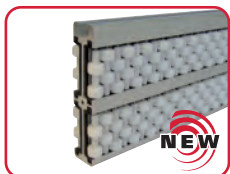
Part. S0856 - Pag. S094  
Roller side guides in aluminium.



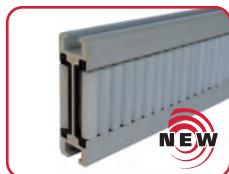
Part. S0857 - Pag. S095  
Roller centre guides in aluminium.



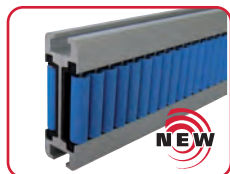
Part. S0856 - Pag. S096  
Roller side guides in aluminium.



Part. S0857 - Pag. S097  
Roller centre guides in aluminium.



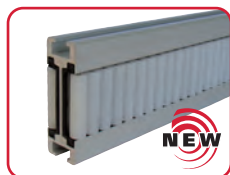
Part. S0656 - Pag. S098  
Centre guides with cylinder rollers, in aluminium.



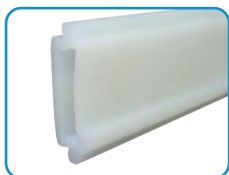
Part. S0656 - Pag. S098  
Centre guides with cylinder rollers, in aluminium.



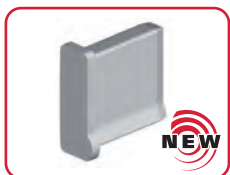
Part. S0656 - Pag. S099  
Pearl™ roller centre guide in aluminium.



Part. S0656 - Pag. S099  
Roller centre guides in aluminium.



Part. S0777 - Pag. S101  
Product Guide.



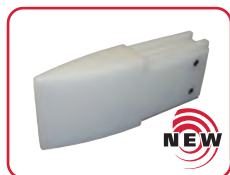
Part. S0829 - Pag. S101  
Closing caps.



Part. S0788 - Pag. S102  
End stops for Guide.



Part. S0852 - Pag. S103  
Separation Block.



Part. S0854 - Pag. S103  
Separation Block.



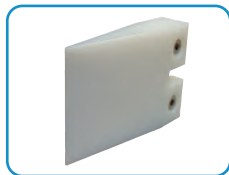
Part. S0760 - Pag. S104  
Separation Block.



Part. S0759 - Pag. S104  
Separation Block.



Part. S0760 - Pag. S105  
Separation Block.



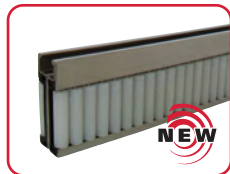
Part. S0759 - Pag. S105  
Separation Block.



Part. S0870 - Pag. S106  
Roller side guides with cylinder rollers, in austenitic stainless steel.



Part. S0794 - Pag. S106  
Side Clamp.



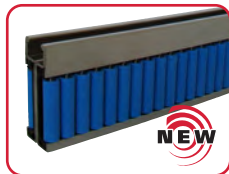
Part. S0871 - Pag. S107  
Centre guides with cylinder rollers, in austenitic stainless steel.



Part. S0872 - Pag. S108  
Roller side guides with cylinder rollers, in austenitic stainless steel.



Part. S0794 - Pag. S108  
Side Clamp.



Part. S0873 - Pag. S109  
Centre guides with cylinder rollers, in austenitic stainless steel.



Part. S0874 - Pag. S110  
Pearl™ roller side guide, in austenitic stainless steel.



Part. S0794 - Pag. S110  
Side Clamp.



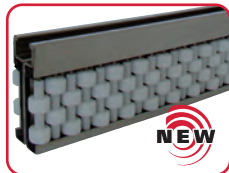
Part. S0875 - Pag. S111  
Pearl™ roller centre guide, in austenitic stainless steel.



Part. S0876 - Pag. S112  
Roller side guides with rollers, in austenitic stainless steel.



Part. S0794 - Pag. S112  
Side Clamp.



Part. S0877 - Pag. S113  
Centre guides with rollers, in austenitic stainless steel.



Part. S0128S - Pag. S114  
Sideflexing Roller side guide. Rugged containers.



Part. S0128 - Pag. S114  
Roller side guide. Rugged containers.

Product Range



Part. S0128 - Pag. S114  
Roller side guide.  
Rugged containers.



Part. S0128 - Pag. S115  
Roller side guide.  
Rugged containers.



Part. S0128 - Pag. S115  
Roller side guide.  
Rugged containers.



Part. S0233 - Pag. S116-S117  
Rollers for bending.



Part. S0218 - Pag. S117  
Guide rail bending machine  
(manual).

Guide Rail  
Clamps



Part. S0210P - Pag. S118  
Guide rail clamp.



Part. S0210 - Pag. S118  
Guide rail clamp.



Part. S0275 - Pag. S119  
Guide rail clamp.



Part. S0211 - Pag. S119  
Guide rail clamp  
(adjustable).



Part. S0446 - Pag. S119  
Guide rail clamp  
(adjustable).



Part. S0213 - Pag. S120  
Guide rail clamp  
(double).



Part. S0213 - Pag. S120  
Guide rail clamp  
(double).



Part. S0736-S0737-S0738  
Pag. S121  
Sliding joint clamp.



Part. S0739-S0739P  
Pag. S122  
Swivel pin connection.



Part. S0740-S0740P  
Pag. S122  
Swivel pin connection.



Part. S0903 - Pag. S123  
ViseClamp™.



Part. S0216 - Pag. S123  
Guide rail clamp.



Part. S0215 - Pag. S123  
Guide rail clamp.



Part. S0694 - Pag. S124  
Guide rail clamp  
with two fixing screw.



Part. S0217 - Pag. S124  
Guide rail clamp  
(double).



Part. S0902 - Pag. S125  
ViseSplice™.



Part. S0214 - Pag. S125  
Connecting clamp.



Part. S0236 - Pag. S126  
Guide rail clamp.



Part. S0236 - Pag. S126  
Guide rail clamp.



Part. S0237 - Pag. S126  
Guide rail clamp  
(adjustable).



Part. S0116 - Pag. S127  
Guide rail clamp  
(double).



Part. S0111 - Pag. S127  
Guide rail clamp  
(double).



Part. S0082P - Pag. S128  
Guide rail clamp.



Part. S0082-S0082B  
Pag. S128  
Guide rail clamp.



Part. S0478 - Pag. S129  
Guide rail clamp  
(pivoting).



Part. S0159-S0437 - Pag. S129  
Guide rail clamp  
(adjustable).



Part. S0451 - Pag. S129  
Guide rail clamp  
(adjustable).



Part. S0071 - Pag. S130  
Guide rail clamp  
(double).



Part. S0070 - Pag. S130  
Guide rail clamp  
(double).



Part. S0698 - Pag. S131  
Guide rail clamp  
with two fixing screws.



Part. S0662 - Pag. S131  
Guide rail clamp.



Part. S0050 - Pag. S132  
Guide rail clamp  
(double).



Part. S0676 - Pag. S132  
Joint clamp.



Part. S0646 - Pag. S133  
Guide rail clamp.



Part. S0647 - Pag. S133  
Rod.



Part. S0190 - Pag. S134  
Guide rail clamp.



Part. S0184 - Pag. S134  
Guide rail clamp.



Part. S0298 - Pag. S135  
Guide rail clamp.



Part. S0298 - Pag. S135  
Guide rail clamp.



Part. S0373 - Pag. S136  
Guide rail clamp.

Guide-Rail  
Brackets



Part. S0708 - Pag. S137  
Bracket with eyebolt.



Part. S0081 - Pag. S138  
Bracket.



Part. S0088 - Pag. S138  
Bracket with ratched  
handle clamping.



Part. S0072 - Pag. S139  
Bracket.



Part. S0089 - Pag. S139  
Bracket with ratched  
handle clamping.



Part. S0085 - Pag. S140  
Bracket with eccentric lever.



Part. S0010-S0097 - Pag. S140  
Bracket with eccentric lever.



Part. S0107 - Pag. S141  
Bracket with eyebolt.



Part. S0599 - Pag. S141  
Bracket with eyebolt.



Part. S0617 - Pag. S142  
Bracket with eyebolt.



Part. S0140 - Pag. S142  
Bracket with eyebolt.



Part. S0632 - Pag. S143  
Adjustable bracket.



Part. S0635 - Pag. S144  
Adjustable bracket.



Part. S0636 - Pag. S144  
Adjustable bracket.



Part. S0637 - Pag. S145  
Adjustable bracket.



Part. S0638 - Pag. S145  
Adjustable bracket.



Part. S0540 - Pag. S146  
Adjustable bracket.



Part. S0107S - Pag. S147  
Adjustable bracket.



Part. S0255 - Pag. S148  
Swivel head.



Part. S0359 - Pag. S148  
Swivel head.




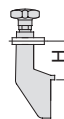
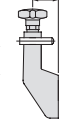
Part. S0862 - Pag. S149  
Swivel head.



Part. S0256 - Pag. S149  
Swivel head.



Part. S0192 - Pag. S150  
Swivel head.

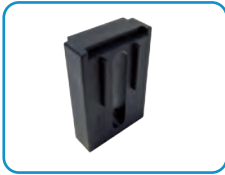
| Adjustable Brackets Part.             | Fixed Brackets Part. |  |  |  |
|---------------------------------------|----------------------|---|---|---|
| S0704+S0192 (S0699+S0192)             | -                    | 42,5  | 35,5  | 52 (128)  |
| -                                     | S0708                | 42,5  | -   | 67,5  |
| S0704+S0192 (S0699+S0192)             | -                    | 60  | 53  | 52 (128)  |
| -                                     | S0081-S0088          | -   | 58  | 36  |
| -                                     | S0705                | 61  | 61  | 31  |
| -                                     | S0107                | -   | 64,5  | 45  |
| -                                     | S0708                | 64,5  | -   | 67,5  |
| S0682-S0677                           | -                    | 67  | -   | 65  |
| -                                     | S0072-S0089          | 67  | -   | 42,8  |
| S0635-S0637-S0638 (S0650-S0652-S0653) | -                    | 68  | -   | 64 (48)   |
| -                                     | S0599                | 68  | -   | 64  |
| S0679                                 | -                    | 70  | -   | 65  |
| S0704+S0192 (S0699+S0192)             | -                    | 80  | 73  | 52 (128)  |
| -                                     | S0140                | 81  | -   | 50  |
| -                                     | S0085                | 84,5  | -   | 42  |
| S0636 (S0651)                         | -                    | 86  | -   | 64 (48)   |
| -                                     | S0097-S0010          | 86  | -   | 42  |
| -                                     | S0617                | 87  | -   | 49  |
| S0679                                 | -                    | 87,5  | -   | 65  |
| S0542-S0543-S0544                     | -                    | 90  | 86  | 51  |
| S0681                                 | -                    | 105,5   | -   | 65  |
| S0679                                 | -                    | 107,5   | -   | 65  |
| S0541                                 | -                    | 108   | 104   | 51  |
| S0704+S0192 (S0699+S0192)             | -                    | 110   | 103   | 52 (128)  |
| S0681                                 | -                    | 123   | -   | 65  |
| S0679                                 | -                    | 137,5   | -   | 65  |
| S0681                                 | -                    | 143   | -   | 65  |
| S0704+S0192 (S0699+S0192)             | -                    | 150   | 143   | 52 (128)  |
| S0681                                 | -                    | 173   | -   | 65  |
| S0679                                 | -                    | 177,5   | -   | 65  |
| S0681                                 | -                    | 213   | -   | 65  |

P = to increase the distance use the proper spacer

Product Range



Part. S0227 - Pag. S151  
Spacer for adjustable brackets.



Part. S0061 - Pag. S152  
Spacer.



Part. S0142 - Pag. S152  
Spacer.



Part. S0545 - Pag. S153  
Spacer.



Part. S0725 - Pag. S153  
Spacer.



Part. S0226-S0336 - Pag. S154  
Drip tray support.  
Bent rod.



Part. S0226-S0336 - Pag. S154  
Drip tray support.  
Straight Rod.



Part. S0338 - Pag. S155  
Mounting plate for  
Part. S0226-S0336.



Part. S0678 - Pag. S156  
Adjustable side bracket.



Part. S0679 - Pag. S156  
Adjustable side bracket.



Part. S0680 - Pag. S157  
Adjustable side bracket.



Part. S0681 - Pag. S157  
Adjustable side bracket.



Part. S0682 - Pag. S158  
Adjustable side bracket.



Part. S0677 - Pag. S158  
Adjustable side bracket.



Part. S0683 - Pag. S159  
Eyebolt (with knob).



Part. S0684 - Pag. S159  
Eyebolt (with nut).



Part. S0705 - Pag. S160  
Side bracket.



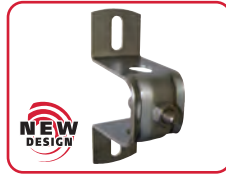
Part. S0704 - Pag. S160  
Side bracket.



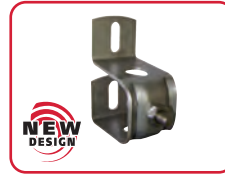
Part. S0699 - Pag. S161  
Side bracket.



Part. S0718 - Pag. S161  
Side bracket.



Part. S0692 - Pag. S162  
Side bracket.



Part. S0692 - Pag. S162  
Side bracket.



Part. S0691 - Pag. S163  
Cross clamp.



Part. S0663 - Pag. S163  
Locking clamp for round  
steel rod.



Part. S0661 - Pag. S164  
Cross clamp.



Part. S0732 - Pag. S164  
Cross clamp  
with Quick-Set.



Part. S0763 - Pag. S165  
T-clamp with eyebolt,  
with nut.



Part. S0763 - Pag. S165  
T-clamp with eyebolt,  
with knob.

Connecting Clamps



Part. S0340 - Pag. S166  
Cross clamp.  
Round and square holes.



Part. S0174-S0174R  
Pag. S166  
Cross clamp. Round hole.



Part. S0174Q - Pag. S167  
Cross clamp.  
Round hole + square hole.



Part. S0339 - Pag. S168  
T clamp.



Part. S0595 - Pag. S168  
T clamp.



Part. S0786 - Pag. S169  
Cross clamp.  
with nut.



Part. S0786 - Pag. S169  
Cross Clamp,  
with nut.



Part. S0786 - Pag. S169  
Cross Clamp,  
with knob.



Part. S0633 - Pag. S170  
Cross clamp round hole  
with ratchet handle clamping.



Part. S0633 - Pag. S170  
Cross clamp square hole  
with ratchet handle clamping.



Part. S0655 - Pag. S171  
Cross clamp round hole  
with ratchet handle clamping.



Part. S0655 - Pag. S171  
Cross clamp square hole  
with ratchet handle clamping.

*Side  
Mounting  
top Brackets*



Part. S0199 - Pag. S172  
Side mounting top bracket for  
tubes ø 48,3-50,8 square 38-40.



Part. S0709 - Pag. S173  
Side mounting top bracket for  
tubes ø 60,3 square 50.



Part. S0168 - Pag. S173  
Side mounting top bracket for  
tubes ø 48,3 square 40.



Part. S0416 - Pag. S183  
Side mounting top bracket  
for tubes ø 33,7.



Part. S0685 - Pag. S185  
Side mounting top bracket  
for tubes ø 48,3-50,8-60,3.

*Bearing  
Heads*



Part. S0198 - Pag. S174  
Bearing head for tubes  
ø 48,3-50,8 square 38-40.



Part. S0280 - Pag. S175  
Bearing head for tubes  
ø 48,3-50,8-60,3.



Part. S0415 - Pag. S183  
Bearing head for tubes  
ø 33,7.



Part. S0690 - Pag. S185  
Bearing head for tubes  
ø 48,3.

*Support  
Bases*



Part. S0615 - Pag. S176  
Support base for tubes  
ø 38,1-42,4-48,3-50,8-60,3.



Part. S0618 - Pag. S177  
Support base for tubes  
ø 38,1-42,4-48,3-50,8-60,3.



Part. S0611 - Pag. S177  
Support base for tubes  
square 40-50-60.



Part. S0619 - Pag. S178  
Support base for tubes  
ø 42,4-48,3-50,8-60,3.



Part. S0616 - Pag. S179  
Support base for tubes  
ø 42,4-48,3-50,8-60,3.



Part. S0124 - Pag. S179  
Reduction bushing for  
Part. S0615-S0616-S0618-S0619.  
For tubes ø 42,4-48,3-50-50,6.



Part. S0418 - Pag. S184  
Support base for tubes  
ø 33,7.



Part. S0419 - Pag. S184  
Support base for tubes  
ø 33,7.



Part. S0707 - Pag. S186  
Support base for tubes  
ø 48,3-50,8-60,3.



Part. S0706 - Pag. S187  
Support base for tubes  
ø 48,3-50,8-60,3.

*Connecting  
Joints*



Part. S0562 - Pag. S180  
Connecting joint for tubes  
ø 33,7-38,1-42,4-48,3.



Part. S0563 - Pag. S180  
Connecting joint for tubes  
ø 50,8-60,3.



Part. S0564 - Pag. S181  
Connecting joint for square  
tubes 38-40-45-50.



Part. S0417 - Pag. S181  
Connecting joint for tubes  
ø 33,7.



Part. S0454 - Pag. S182  
Connecting joint for tubes  
ø 42,4.



Part. S0137 - Pag. S182  
Connecting joint for tubes  
ø 48,3-60,3.



Part. S0686 - Pag. S188  
Connecting joint for tubes  
ø 48,3.



Part. S0687 - Pag. S188  
Connecting joint for tubes  
ø 60,3.



Part. S0688 - Pag. S189  
Connecting joint for tubes  
ø 48,3.



Part. S0689 - Pag. S189  
Connecting joint for tubes  
ø 48,3-50,8.

Product Range

Line Control Elements



Part. S0342 - Pag. S190  
Assembly kit for photocells or sensors



Part. S0341 - Pag. S190  
Assembly kit for photocells or sensors



Part. S0341C - Pag. S191  
Clamp for reflectors.



Part. S0372 - Pag. S192  
Universal clamp for photocells or reflectors.



Part. S0518 - Pag. S193  
Control contact lever.

Hinges and Locks



Part. S0337 - Pag. S194  
270° hinge.



Part. S0260 - Pag. S194  
170° hinge.



Part. S0260 - Pag. S195  
170° hinge. For misaligned mounting surfaces.



Part. S0272 - Pag. S196  
Lock.

Tightening Elements



Part. S0302 - Pag. S197  
Ratchet handle clamping.



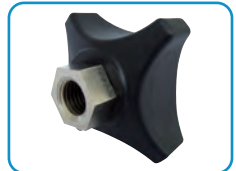
Part. S0303 - Pag. S197  
Ratchet handle clamping.



Part. S0182 - Pag. S198  
Tightening knob.



Part. S0183 - Pag. S198  
Tightening knob.



Part. S0625 - Pag. S199  
Tightening knob.



Part. S0775 - Pag. S199  
Tightening knob.



Part. S0185 - Pag. S200  
Tightening knob.



Part. S0671 - Pag. S201  
Tightening knob.



Part. S0734 - Pag. S201  
Tightening knob.

Modular transfer roller plate



Part. S0846 - Pag. S202  
End transfer module (with lip).



Part. S0847 - Pag. S202  
End transfer module (with lip).



Part. S0848 - Pag. S203  
End transfer module (with lip).



Part. S0849 - Pag. S203  
End transfer module.



Part. S0850 - Pag. S204  
Assembly bar.



Part. S0864 - Pag. S204  
L Profile.



Part. S0567 - Pag. S206  
End transfer module (with lip).



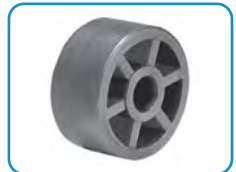
Part. S0672 - Pag. S206  
End transfer module (with lip).



Part. S0569 - Pag. S207  
End transfer module.



Part. S0568 - Pag. S207  
Centre transfer module.



Part. S0020-S0021  
Pag. S208  
Roller.



Part. S0016 - Pag. S208  
Roller.



Part. S0076 - Pag. S208  
Roller.



Part. S0063-S0095  
Pag. S209  
Roller.



Part. S0363 - Pag. S209  
Roller.



Part. S0455 - Pag. S209  
Roller.



*Modular  
Nose-Over  
Bar*



Part. S0905 - Pag. S210  
Modular "Nose-Over"  
bar standard profile.



Part. S0905 - Pag. S210  
Modular "Nose-Over"  
bar standard profile.



Part. S0905 - Pag. S211  
Modular "Nose-Over"  
bar low profile.

*Shaft  
collars*



Part. S0612 - Pag. S212  
Split shaft collar  
(with round bore).



Part. S0612 - Pag. S213  
Split shaft collar  
(with square bore).

*Winding  
Tensioners*



Part. S0079 - Pag. S214  
Winding tensioner.



Part. S0075 - Pag. S214  
Winding tensioner.

*Caps*



Part. S0666 - Pag. S215  
Closing caps  
(for round tubes).



Part. S0667 - Pag. S215  
Closing caps  
(for square tubes).



Part. S0668 - Pag. S215  
Safety caps  
(for round tubes).

*Cable  
Carriage  
Chains*



Part. S0112 - Pag. S216  
Cable carriage chain.



Part. S0114 - Pag. S216  
Attachments.

*Nozzles*



Part. S0019 - Pag. S217  
Nozzle conical shape.



Part. S0018 - Pag. S217  
Nozzle shell shape.

*Side Guide  
Adjustment*






Part. S0837 - Pag. S218  
Side Guide Adjustment.

*Visual catalogue*  
for an easier comprehension

In this new catalogue we have included some new graphic and visual features to aid in the correct component identification. These features are designed to make the catalogue more intuitive and also highlight the Rexnord recommendation for prompt availability.

The page layout is as follows.

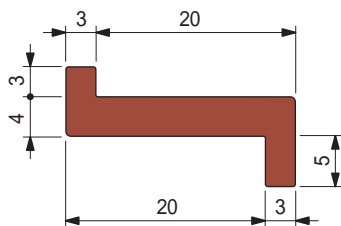
-  **Best Seller**
-  **Standard**
-  **On request:** minimum quantity may apply. Consult our Customer Service for availability.

**Item code for order = Part. + Code**

## Part. S0262



### Chain - guide profile



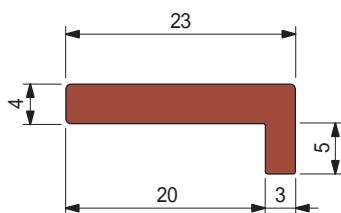
| Material UHMWPE | Packaging metres | Code            |
|-----------------|------------------|-----------------|
| ULF - brown red | 45               | <b>UL640913</b> |
| Green           | 45               | <b>632272</b>   |
| Black           | 45               | <b>63651</b>    |

- Standard packaging: coil.

## Part. S0386



### Chain - guide profile

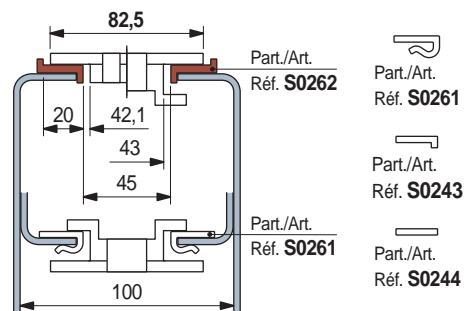


| Material UHMWPE | Packaging metres | Code            |
|-----------------|------------------|-----------------|
| ULF - brown red | 45               | <b>UL648363</b> |
| Black           | 45               | <b>66096</b>    |

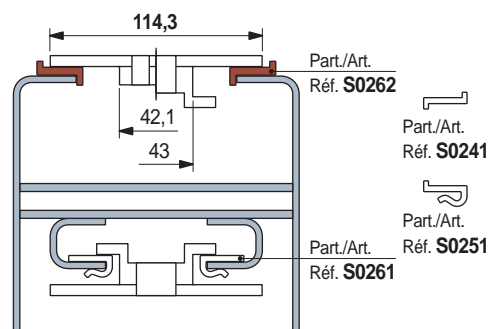
- Can be used in combination with Part. S0387.  
 - Standard packaging: coil.

- **Material:** Polyethylene UHMWPE with molecular density 5.600.000 g/mol.  
 Characteristics: new material Polyethylene ULF brown red (UHMWPE): reduced friction coefficient, higher wear resistance.
  - **Linear expansion coefficient:**  $2 \times 10^{-4} \text{ } ^\circ\text{C}^{-1}$   
 Calculation of thermal expansion see Technical information.
  - **Operating temperature Green Black:**  
 In air (- 40 to + 80 °C).  
 In hot water (+ 70 °C).
  - **Operating temperature ULF - brown red:**  
 In air (- 40 to + 45 °C).  
 In hot water (+ 45 °C).
  - **Polyethylene ULF is FDA approved**  
 Polyethylene ULF complies with the Code of Federal Regulations Title 21, § 177.1520 "Olefin Polymers" of the Food and Drug Administration (FDA) of April 1, 2008.
  - Coefficient of friction between chain POM and wearstrip ULF: 0,08  
 Note: for calculation of chain pull refer to Technical Support.
  - **Position of guides.** See Technical information.
- **TableTop® chains series 812 - 815 - 820 - 831 - 881TAB - 8811TAB - 879TAB - 880TAB**

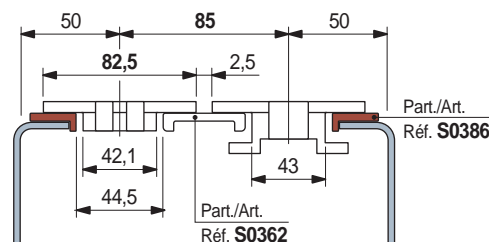
Chain width 82,5 mm (K 325) / Guide clearance 45 mm



Chain width 114,3 mm (K 450)



Chain width 82,5 mm (K 325) / Pitch 85 mm



● Best Seller

● Standard

● On request: minimum quantity may apply. Consult our Customer Service for availability.

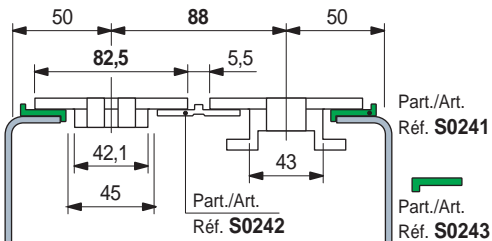
Item code for order = Part. + Code

# Chain - Guide Profiles

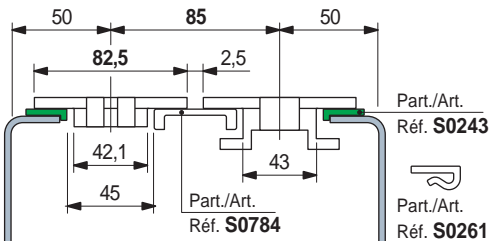
- **Material:** Polyethylene UHMWPE with molecular density 5.600.000 g/mol.  
Characteristics: new material Polyethylene ULF brown red (UHMWPE): reduced friction coefficient, higher wear resistance.
- **Linear expansion coefficient:**  $2 \times 10^{-4} \text{ } ^\circ\text{C}^{-1}$   
Calculation of thermal expansion see Technical information.
- **Operating temperature Green Black:**  
In air (- 40 to + 80 °C).  
In hot water (+ 70 °C).
- **Operating temperature ULF - brown red:**  
In air (- 40 to + 45 °C).  
In hot water (+ 45 °C).
- **Polyethylene ULF is FDA approved**  
Polyethylene ULF complies with the Code of Federal Regulations Title 21, § 177.1520 "Olefin Polymers" of the Food and Drug Administration (FDA) of April 1, 2008.
- Coefficient of friction between chain POM and wearstrip ULF: 0,08  
Note: for calculation of chain pull refer to Technical Support.
- **Position of guides.** See Technical information.

• **TableTop®** chains series 812 - 815 - 820 - 831 - 881TAB - 8811TAB - 879TAB - 880TAB

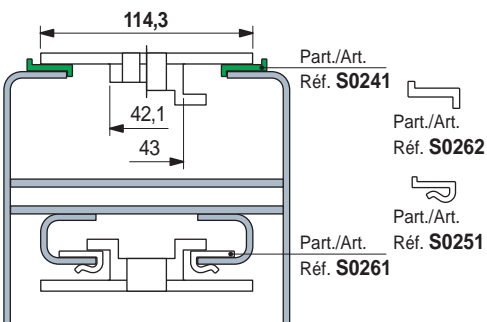
Chain width 82,5 mm (K 325) / Pitch 88 mm



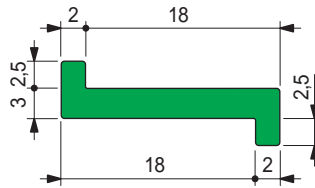
Chain width 82,5 mm (K 325) / Pitch 85 mm



Chain width 114,3 mm (K 450)



## Chain - guide profile



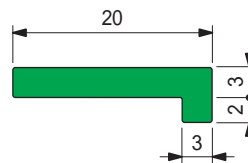
Part. S0241



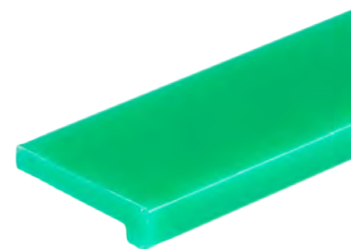
| Material UHMWPE | Packaging metres | Code  |
|-----------------|------------------|-------|
| Green           | 80               | 63641 |
| Black           | 80               | 60356 |

- Standard packaging: coil.

## Chain - guide profile



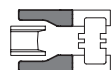
Part. S0243



| Material UHMWPE | Packaging metres | Code  |
|-----------------|------------------|-------|
| Green           | 90               | 63701 |

- Standard packaging: coil.

- Accessories:



Chain inlet guide shoe side Part. S0551.

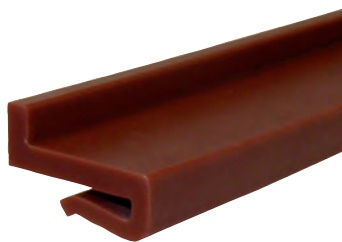
● Best Seller

● Standard

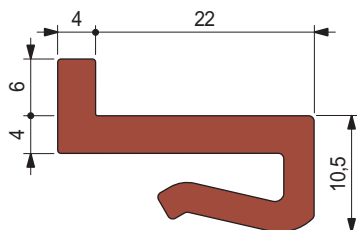
● On request: minimum quantity may apply. Consult our Customer Service for availability.

Item code for order = Part. + Code

## Part. S0822



### Chain - guide profile

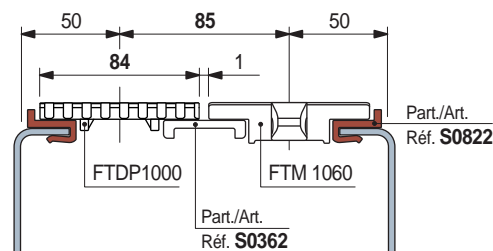


| Material UHMWPE | Packaging metres | Code            |
|-----------------|------------------|-----------------|
| ULF - brown red | 3                | <b>UL642613</b> |
|                 | 6                | <b>UL642623</b> |
| Green           | 3                | <b>632713</b>   |
|                 | 6                | <b>632723</b>   |

- Applicable to 2,5 to 3,5 mm thick sheet metal.
- Can be used in combination with Part. S0362.
- Packaging: 96 metres.

- **Material:** Polyethylene UHMWPE with molecular density 5.600.000 g/mol.  
Characteristics: new material Polyethylene ULF brown red (UHMWPE): reduced friction coefficient, higher wear resistance.
- **Linear expansion coefficient:**  $2 \times 10^{-4} \text{ } ^\circ\text{C}^{-1}$   
Calculation of thermal expansion see Technical information.
- **Operating temperature Green Black:**  
In air (- 40 to + 80 °C).  
In hot water (+ 70 °C).
- **Operating temperature ULF - brown red:**  
In air (- 40 to + 45 °C).  
In hot water (+ 45 °C).
- **Polyethylene ULF is FDA approved**  
Polyethylene ULF complies with the Code of Federal Regulations Title 21, § 177.1520 "Olefin Polymers" of the Food and Drug Administration (FDA) of April 1, 2008.
- Coefficient of friction between chain POM and wearstrip ULF: 0,08  
Note: for calculation of chain pull refer to Technical Support.
- **Position of guides.** See Technical information.

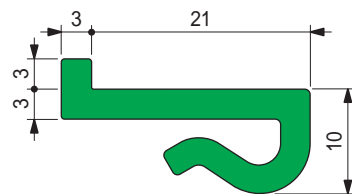
Chain width 84 mm Pitch 85 mm



## Part. S0825



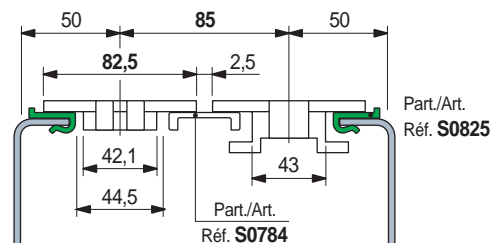
### Chain - guide profile



| Material UHMWPE | Packaging metres | Code          |
|-----------------|------------------|---------------|
| Green           | 40               | <b>632033</b> |

- Applicable to 2,5 to 3,5 mm thick sheet metal.
- Can be used in combination with Part. S0784.
- Standard packaging: coil.

Chain width 82,5 mm (K 325) / Pitch 85 mm



● Best Seller

● Standard

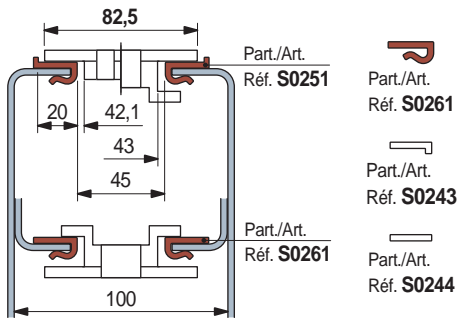
● On request: minimum quantity may apply. Consult our Customer Service for availability.

Item code for order = Part. + Code

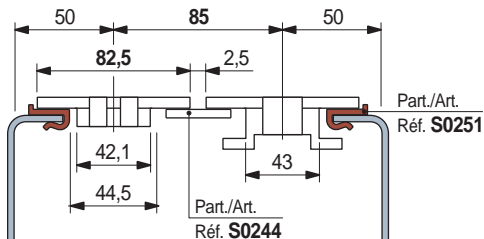
# Chain - Guide Profiles

- Material:** Polyethylene UHMWPE with molecular density 5.600.000 g/mol.  
Characteristics: new material Polyethylene ULF brown red (UHMWPE): reduced friction coefficient, higher wear resistance.
- Linear expansion coefficient:**  $2 \times 10^{-4} \text{ } ^\circ\text{C}^{-1}$   
Calculation of thermal expansion see Technical information.
- Operating temperature Green Black:**  
In air (- 40 to + 80 °C).  
In hot water (+ 70 °C).
- Operating temperature ULF - brown red:**  
In air (- 40 to + 45 °C).  
In hot water (+ 45 °C).
- Polyethylene ULF is FDA approved**  
Polyethylene ULF complies with the Code of Federal Regulations Title 21, § 177.1520 "Olefin Polymers" of the Food and Drug Administration (FDA) of April 1, 2008.
- Coefficient of friction between chain POM and wearstrip ULF: 0,08  
Note: for calculation of chain pull refer to Technical Support.
- Position of guides.** See Technical information.

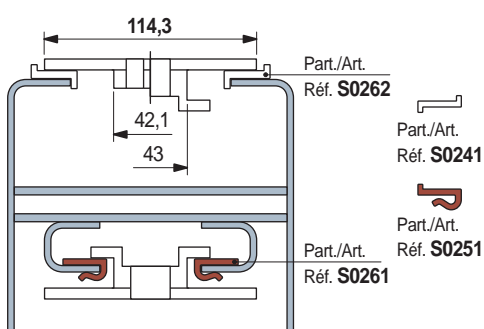
Chain width 82,5 mm (K 325) / Guide clearance 45 mm



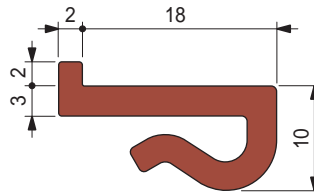
Chain width 82,5 mm (K 325) / Pitch 85 mm



Chain width 114,3 mm (K 450)



## Chain - guide profile



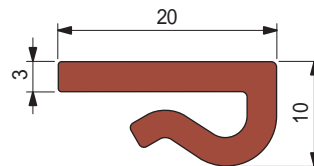
| Material UHMWPE | Packaging metres | Code     |
|-----------------|------------------|----------|
| ULF - brown red | 40               | UL642553 |
| Green           | 40               | 63631    |

- Applicable to 2,5 to 3,5 mm thick sheet metal.
- Standard packaging: coil.

Part. S0251

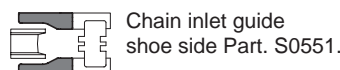


## Chain - guide profile

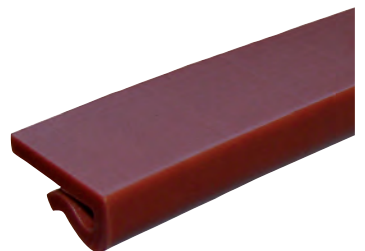


| Material UHMWPE | Packaging metres | Code      |
|-----------------|------------------|-----------|
| ULF - brown red | 40               | UL634533N |
| Green           | 40               | 65681     |

- Applicable to 2,5 to 3,5 mm thick sheet metal.
- Standard packaging: coil.
- Accessories:



Part. S0261



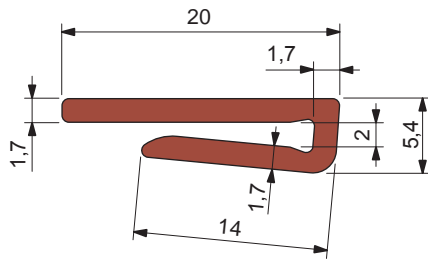
- Best Seller
- Standard
- On request: minimum quantity may apply. Consult our Customer Service for availability.

Item code for order = Part. + Code

## Part. S0840



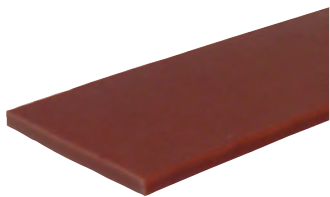
### Chain - guide profile



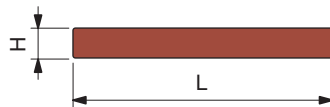
| Material        | Packaging metres | Code            |
|-----------------|------------------|-----------------|
| UHMWPE          |                  |                 |
| ULF - brown red | 40               | <b>UL642693</b> |

- Applicable to 2 mm thick sheet metal.
- Standard packaging: coil.

## Part. S0244

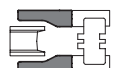


### Chain - guide profile

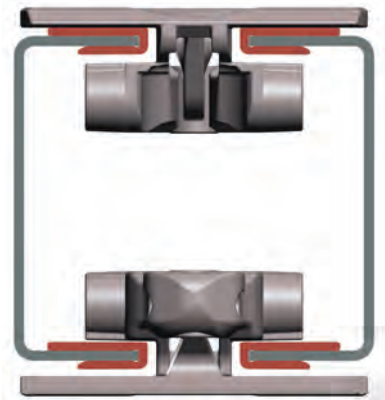


| Material        | L x H mm | Packaging metres | Code            |
|-----------------|----------|------------------|-----------------|
| UHMWPE          |          |                  |                 |
| ULF - brown red | 40 x 3   | 60               | <b>UL642563</b> |
|                 | 20 x 3   | 60               | <b>63711</b>    |
|                 | 20 x 5   | 80               | <b>63691</b>    |
| Green           | 25 x 3   | 60               | <b>63721</b>    |
|                 | 30 x 3   | 60               | <b>63731</b>    |
|                 | 40 x 3   | 60               | <b>63661</b>    |
|                 | 40 x 5   | 50               | <b>608172</b>   |
| Black           | 20 x 3   | 60               | <b>60386</b>    |
|                 | 20 x 5   | 80               | <b>60376</b>    |

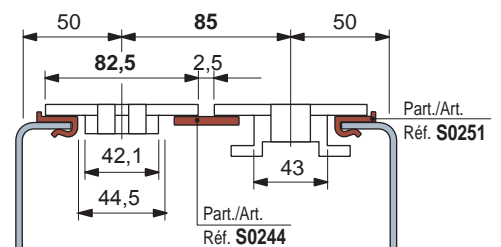
- Standard packaging: coil.
- Accessories:
  - Chain inlet guide shoe side Part. S0551.



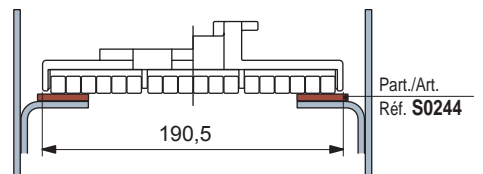
- **Material:** Polyethylene UHMWPE with molecular density 5.600.000 g/mol. Characteristics: new material Polyethylene ULF brown red (UHMWPE): reduced friction coefficient, higher wear resistance.
- **Linear expansion coefficient:**  $2 \times 10^{-4} \text{ } ^\circ\text{C}^{-1}$   
Calculation of thermal expansion see Technical information.
- **Operating temperature Green Black:**  
In air (- 40 to + 80 °C).  
In hot water (+ 70 °C).
- **Operating temperature ULF - brown red:**  
In air (- 40 to + 45 °C).  
In hot water (+ 45 °C).
- **Polyethylene ULF is FDA approved**  
Polyethylene ULF complies with the Code of Federal Regulations Title 21, § 177.1520 "Olefin Polymers" of the Food and Drug Administration (FDA) of April 1, 2008.
- Coefficient of friction between chain POM and wearstrip ULF: 0,08  
Note: for calculation of chain pull refer to Technical Support.
- **Position of guides.** See Technical information.
- ZeroGap™ chains serie 1775



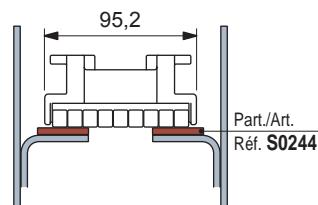
Chain width 82,5 mm (K 325) / Pitch 85 mm



- **Low backline pressure chains series SLBP**  
882 TAB - SLBP 821  
Chain width 190,5 mm (K 750)



Chain width 95,2 mm (K 375)



● Best Seller

● Standard

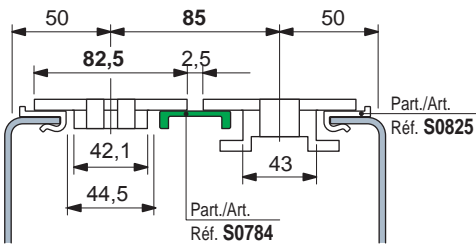
● On request: minimum quantity may apply. Consult our Customer Service for availability.

Item code for order = Part. + Code

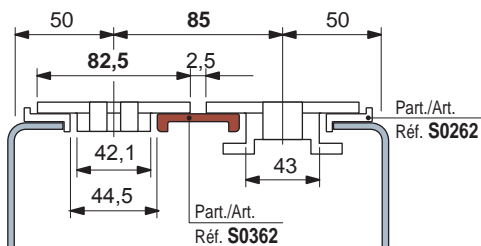
# Chain - Guide Profiles

- **Material:** Polyethylene UHMWPE with molecular density 5.600.000 g/mol.  
Characteristics: new material Polyethylene ULF brown red (UHMWPE): reduced friction coefficient, higher wear resistance.
- **Linear expansion coefficient:**  $2 \times 10^{-4} \text{ } ^\circ\text{C}^{-1}$   
Calculation of thermal expansion see Technical information.
- **Operating temperature Green Black:**  
In air (- 40 to + 80 °C).  
In hot water (+ 70 °C).
- **Operating temperature ULF - brown red:**  
In air (- 40 to + 45 °C).  
In hot water (+ 45 °C).
- **Polyethylene ULF is FDA approved**  
Polyethylene ULF complies with the Code of Federal Regulations Title 21, § 177.1520 "Olefin Polymers" of the Food and Drug Administration (FDA) of April 1, 2008.
- Coefficient of friction between chain POM and wearstrip ULF: 0,08  
Note: for calculation of chain pull refer to Technical Support.
- **Position of guides.** See Technical information.

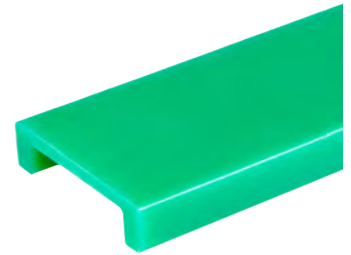
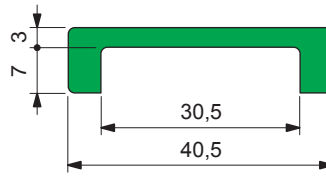
Chain width 82,5 mm (K 325) / Pitch 85 mm



Chain width 82,5 mm (K 325) / Pitch 85 mm



## Chain - guide profile

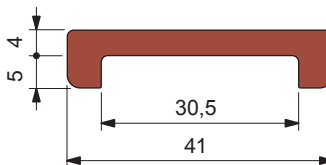


Part. S0784

| Material UHMWPE | Length metres | Code   |
|-----------------|---------------|--------|
| Green           | 3             | 620513 |
|                 | 6             | 620523 |
| Black           | 3             | 620533 |
|                 | 6             | 620543 |

- Packaging: 96 metres.

## Chain - guide profile



Part. S0362

| Material UHMWPE | Length metres | Code     |
|-----------------|---------------|----------|
| ULF - brown red | 3             | UL635293 |
|                 | 6             | UL635303 |
| Green           | 3             | 694331   |
|                 | 6             | 67435    |
| Black           | 3             | 694341   |
|                 | 6             | 61726    |

- Packaging: 96 metres.

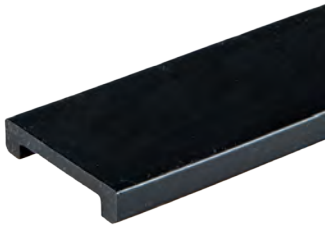


- Best Seller
- Standard
- On request: minimum quantity may apply. Consult our Customer Service for availability.

Item code for order = Part. + Code

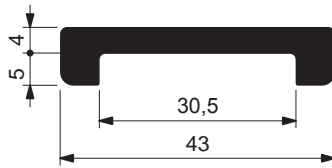


Part. S0387



Reinforced version

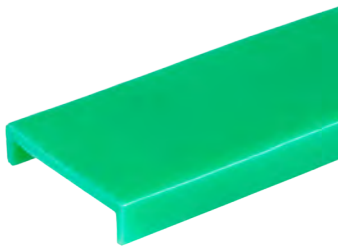
Chain - guide profile



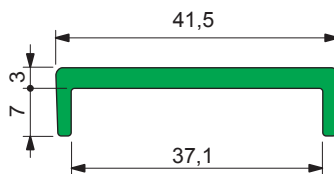
| Material | Length metres | Code   |
|----------|---------------|--------|
| UHMWPE   |               |        |
| Black    | 3             | 694351 |
|          | 6             | 66106  |

- Can be used in combination with Part. S0386.
- Packaging: 96 metres.

Part. S0824



Chain - guide profile



| Material | Length metres | Code   |
|----------|---------------|--------|
| UHMWPE   |               |        |
| Green    | 3             | 631663 |
|          | 6             | 631653 |

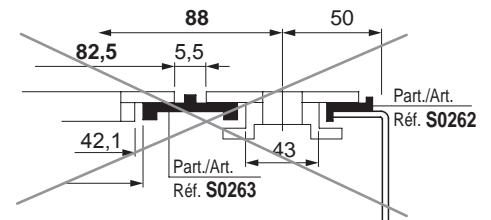
- Packaging: 96 metres.

- **Material:** Polyethylene UHMWPE with molecular density 5.600.000 g/mol.  
Characteristics: new material Polyethylene ULF brown red (UHMWPE): reduced friction coefficient, higher wear resistance.
- **Linear expansion coefficient:**  $2 \times 10^{-4} \text{ } ^\circ\text{C}^{-1}$   
Calculation of thermal expansion see Technical information.
- **Operating temperature Green Black:**  
In air (- 40 to + 80 °C).  
In hot water (+ 70 °C).
- **Operating temperature ULF - brown red:**  
In air (- 40 to + 45 °C).  
In hot water (+ 45 °C).
- **Polyethylene ULF is FDA approved**  
Polyethylene ULF complies with the Code of Federal Regulations Title 21, § 177.1520 "Olefin Polymers" of the Food and Drug Administration (FDA) of April 1, 2008.
- Coefficient of friction between chain POM and wearstrip ULF: 0,08  
Note: for calculation of chain pull refer to Technical Support.
- **Position of guides.** See Technical information.

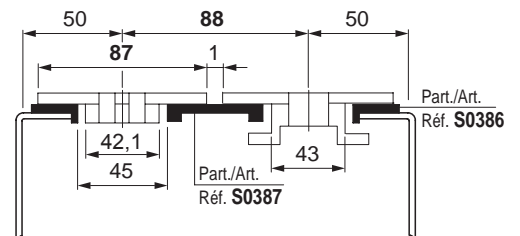
TableTop® chains series 820 - 880TAB

Chain width 87 mm (K 343) / Pitch 88 mm

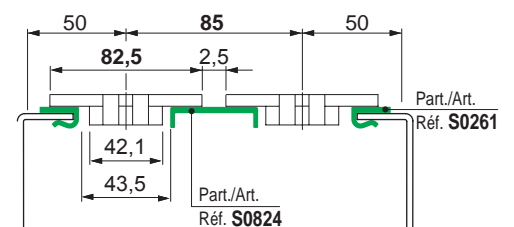
Multi strand conveyors, with 82,5 mm width chains and pitch 88 mm, can be modified to convey PET bottles with pethal bottom or other unstable products.



Change chains (from 82,5 mm to 87 mm width) and wear strip, in this way the Gap between chains is reduced (from 5,5 mm to 1 mm) while the conveyor frame is unchanged (pitch 88 mm).



Chain width 82,5 mm (K 325) / Pitch 85 mm



● Best Seller

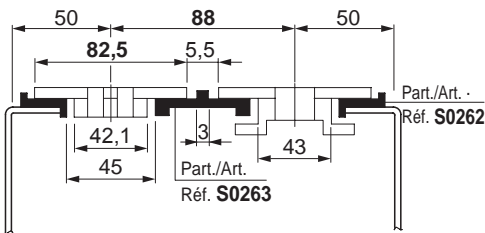
● Standard

● On request: minimum quantity may apply. Consult our Customer Service for availability.

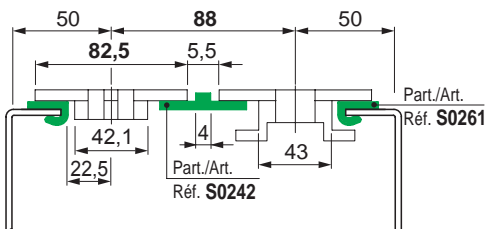
Item code for order = Part. + Code

# Chain - Guide Profiles

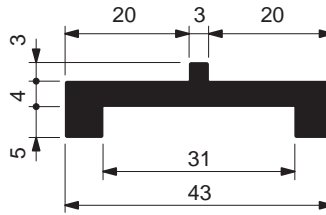
- Material:** Polyethylene UHMWPE with molecular density 5.600.000 g/mol.  
 Characteristics: new material Polyethylene ULF brown red (UHMWPE): reduced friction coefficient, higher wear resistance.
- Linear expansion coefficient:**  $2 \times 10^{-4} \text{ } ^\circ\text{C}^{-1}$   
 Calculation of thermal expansion see Technical information.
- Operating temperature Green Black:**  
 In air (- 40 to + 80 °C).  
 In hot water (+ 70 °C).
- Operating temperature ULF - brown red:**  
 In air (- 40 to + 45 °C).  
 In hot water (+ 45 °C).
- Polyethylene ULF is FDA approved**  
 Polyethylene ULF complies with the Code of Federal Regulations Title 21, § 177.1520 "Olefin Polymers" of the Food and Drug Administration (FDA) of April 1, 2008.
- Coefficient of friction between chain POM and wearstrip ULF: 0,08  
 Note: for calculation of chain pull refer to Technical Support.
- Position of guides.** See Technical information.
- TableTop® chains series 812 - 815 - 820 - 831 - 881TAB - 8811TAB - 879TAB - 880TAB**  
  
 Chain width 82,5 mm (K 325) / Pitch 88 mm



Chain width 82,5 mm (K 325) / Pitch 88 mm  
 It differentiates because the gap between chain edges and the side rib of Part. S0242 is smaller.



## Chain - guide profile



| Material | Length metres | Code   |
|----------|---------------|--------|
| UHMWPE   |               |        |
| Black    | 3             | 694321 |
|          | 6             | 63681  |

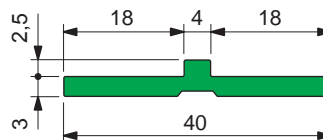
- Packaging: 96 metres.

Part. S0263



Reinforced version

## Chain - guide profile



| Material | Packaging metres | Code  |
|----------|------------------|-------|
| UHMWPE   |                  |       |
| Green    | 80               | 63671 |

- Standard packaging: coil.

Part. S0242



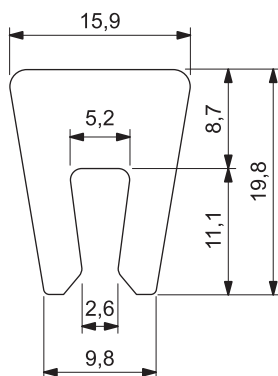
- Best Seller
- Standard
- On request: minimum quantity may apply. Consult our Customer Service for availability.

Item code for order = Part. + Code

## Part. S0634



### Chain - guide profile



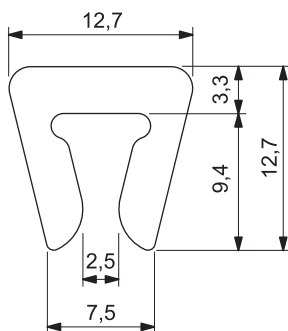
| Material UHMWPE | Length metres | Code   |
|-----------------|---------------|--------|
| White           | 3             | 634073 |
|                 | 6             | 650962 |

- Applicable to 4 mm thick sheet metal.
- Packaging: 96 metres.

## Part. S0814



### Chain - guide profile



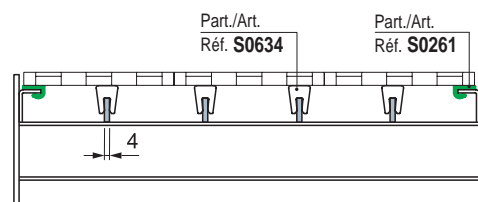
| Material UHMWPE | Packaging metres | Code   |
|-----------------|------------------|--------|
| White           | 30               | 629163 |

- Applicable to 3 to 4 mm thick sheet metal.
- Standard packaging: coil.

- **Material:** Polyethylene UHMWPE with molecular density 5.600.000 g/mol.  
Characteristics: new material Polyethylene ULF brown red (UHMWPE): reduced friction coefficient, higher wear resistance.
- **Linear expansion coefficient:**  $2 \times 10^{-4} \text{ } ^\circ\text{C}^{-1}$   
Calculation of thermal expansion see Technical information.
- **Operating temperature Green Black:**  
In air (- 40 to + 80 °C).  
In hot water (+ 70 °C).
- **Operating temperature ULF - brown red:**  
In air (- 40 to + 45 °C).  
In hot water (+ 45 °C).
- **Polyethylene ULF is FDA approved**  
Polyethylene ULF complies with the Code of Federal Regulations Title 21, § 177.1520 "Olefin Polymers" of the Food and Drug Administration (FDA) of April 1, 2008.
- Coefficient of friction between chain POM and wearstrip ULF: 0,08  
Note: for calculation of chain pull refer to Technical Support.
- **Position of guides.** See Technical information.

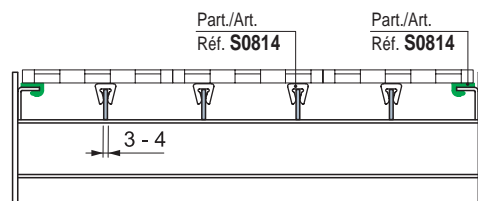
### MatTop® modular chains

Parallel wear strips.  
Recommened with mediumlight loads.



### MatTop® modular chains

Parallel wear strips.  
Recommened with mediumlight loads.



● Best Seller

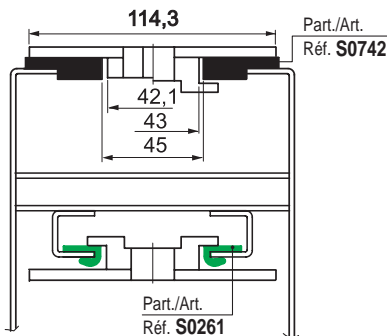
● Standard

● On request: minimum quantity may apply. Consult our Customer Service for availability.

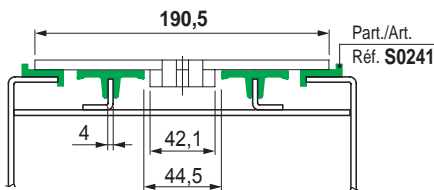
Item code for order = Part. + Code

# Chain - Guide Profiles

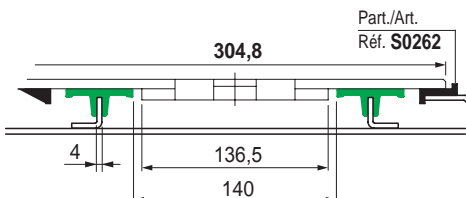
- **Material:** Polyethylene UHMWPE with molecular density 5.600.000 g/mol.  
Characteristics: new material Polyethylene ULF brown red (UHMWPE): reduced friction coefficient, higher wear resistance.
  - **Linear expansion coefficient:**  $2 \times 10^{-4} \text{ } ^\circ\text{C}^{-1}$   
Calculation of thermal expansion see Technical information.
  - **Operating temperature Green Black:**  
In air (- 40 to + 80 °C).  
In hot water (+ 70 °C).
  - **Operating temperature ULF - brown red:**  
In air (- 40 to + 45 °C).  
In hot water (+ 45 °C).
  - **Polyethylene ULF is FDA approved**  
Polyethylene ULF complies with the Code of Federal Regulations Title 21, § 177.1520 "Olefin Polymers" of the Food and Drug Administration (FDA) of April 1, 2008.
  - Coefficient of friction between chain POM and wearstrip ULF: 0,08  
Note: for calculation of chain pull refer to Technical Support.
  - **Position of guides.** See Technical information.
- **Use of part. S0742**  
Ideal with TableTop® chains width 114,3 mm (K450).  
Chain width 114,3 mm (K 450).



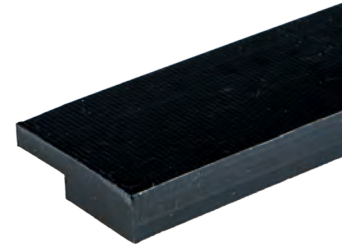
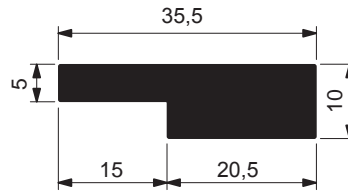
- **Use of part. S0674**  
Ideal as intermediate support for wide chains.  
ableTop® chains series 820 width 190,5 (K750).



TableTop® double hinge chains series 821 width 304,8 (K1200).



## Chain - guide profile

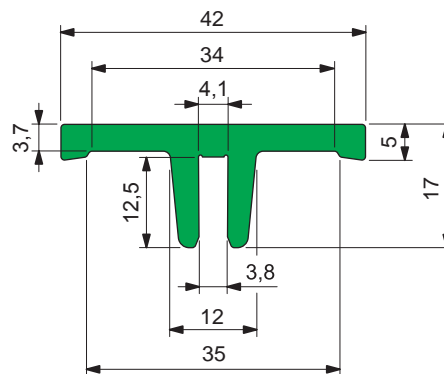


Reinforced version

| Material UHMWPE | Length metres | Code    |
|-----------------|---------------|---------|
| Black           | 3             | 617973N |

- Material: Polyethylene UHMWPE with molecular density 1.000.000 g/mol.
- Packaging: 48 metres.

## Chain - guide profile



Part. S0674

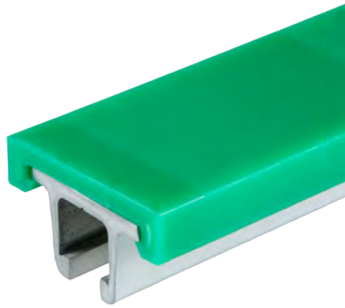
| Material UHMWPE | Length metres | Code   |
|-----------------|---------------|--------|
| Green           | 3             | 675792 |
|                 | 6             | 675802 |

- Applicable to 4 mm thick sheet metal.
- Packaging: 24 metres.

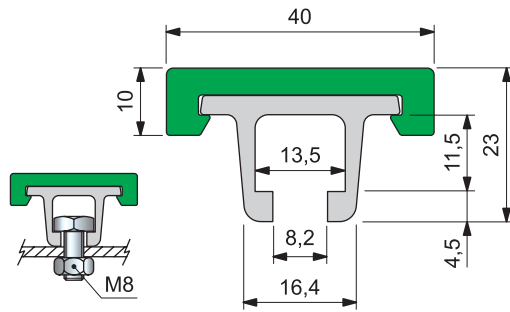
- **Best Seller**
- **Standard**
- **On request:** minimum quantity may apply. Consult our Customer Service for availability.

Item code for order = Part. + Code

## Part. S0422



### Chain - guide profile



Assembly with M8 hexagon bolt

| Metal profile material | Length metres | Code   | Weight kg/m |
|------------------------|---------------|--------|-------------|
| Anodized aluminium     | 3             | 65248M | 0,70        |
|                        | 6             | 65258M |             |

- Colour: green.
- Standard packaging: the plastic and metal profiles are supplied assembled.
- Packaging: 24 metres.

## Part. S0370



### Sealing profile



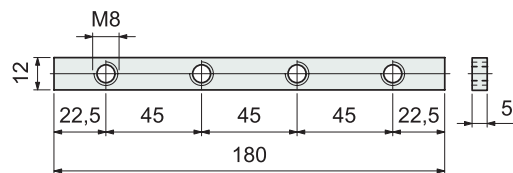
| Material               | Packaging metres | Code  |
|------------------------|------------------|-------|
| Rubber EPDM 80 (black) | 20               | 61036 |

- Use: when applied to the metal profile, this product improves guide cleanliness.
- Standard packaging: coil.

## Part. S0396



### Connecting bar



| Material          | Code  | Weight kg |
|-------------------|-------|-----------|
| Zinc plated steel | 69995 | 0,10      |

- Packaging: 8 pieces.

● Best Seller

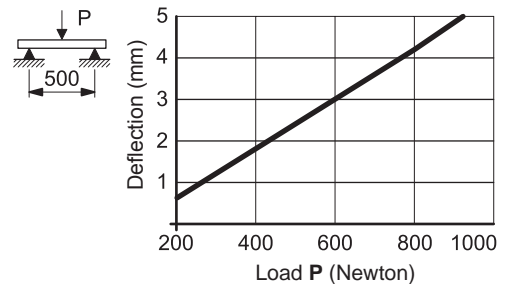
● Standard

● On request: minimum quantity may apply. Consult our Customer Service for availability.

Item code for order = Part. + Code

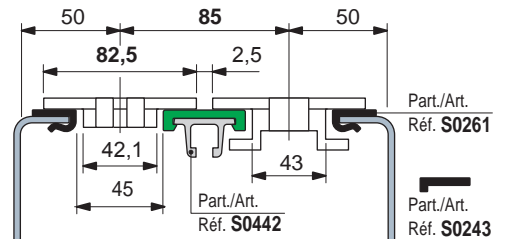
- **Material:** Polyethylene UHMWPE with molecular density 5.600.000 g/mol. Characteristics: new material Polyethylene ULF brown red (UHMWPE): reduced friction coefficient, higher wear resistance.
- **Linear expansion coefficient:**  $2 \times 10^{-4} \text{ } ^\circ\text{C}^{-1}$   
Calculation of thermal expansion see Technical information.
- **Operating temperature Green Black:**  
In air (- 40 to + 80 °C).  
In hot water (+ 70 °C).
- **Operating temperature ULF - brown red:**  
In air (- 40 to + 45 °C).  
In hot water (+ 45 °C).
- **Polyethylene ULF is FDA approved**  
Polyethylene ULF complies with the Code of Federal Regulations Title 21, § 177.1520 "Olefin Polymers" of the Food and Drug Administration (FDA) of April 1, 2008.
- Coefficient of friction between chain POM and wearstrip ULF: 0,08  
Note: for calculation of chain pull refer to Technical Support.
- **Position of guides.** See Technical information.

### Deflection

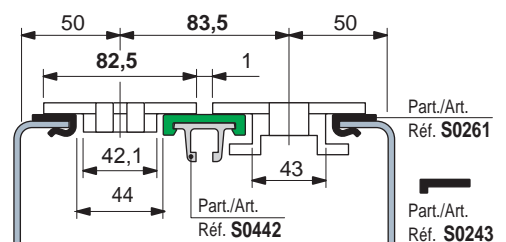


- **TableTop® chains** series 812 - 815 - 820 - 831 - 881TAB - 8811TAB - 879TAB - 880TAB

Chain width 82,5 mm (K 325) / Pitch 85 mm

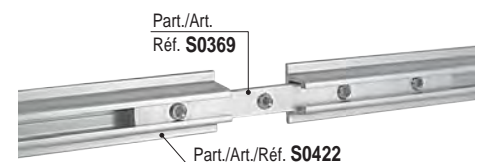


Chain width 82,5 mm (K 325) / Pitch 83,5 mm



### Assembly of Part. S0369

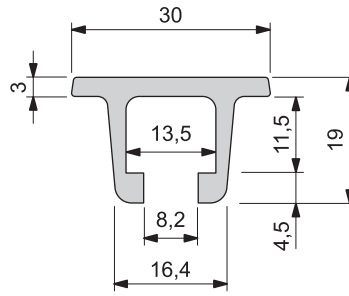
Insert the guides and tighten the set screws.



# Chain - Guide Profiles

- **Material:** Polyethylene UHMWPE with molecular density 5.600.000 g/mol.  
Characteristics: new material Polyethylene ULF brown red (UHMWPE): reduced friction coefficient, higher wear resistance.
- **Linear expansion coefficient:**  $2 \times 10^{-4} \text{ } ^\circ\text{C}^{-1}$   
Calculation of thermal expansion see Technical information.
- **Operating temperature Green Black:**  
In air (- 40 to + 80 °C).  
In hot water (+ 70 °C).
- **Operating temperature ULF - brown red:**  
In air (- 40 to + 45 °C).  
In hot water (+ 45 °C).
- **Polyethylene ULF is FDA approved**  
Polyethylene ULF complies with the Code of Federal Regulations Title 21, § 177.1520 "Olefin Polymers" of the Food and Drug Administration (FDA) of April 1, 2008.
- Coefficient of friction between chain POM and wearstrip ULF: 0,08  
Note: for calculation of chain pull refer to Technical Support.
- **Position of guides.** See Technical information.

## Chain - guide profile



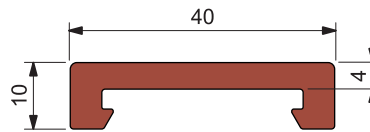
Part. S0884



| Metal profile material | Length metres | Code          | Weight kg/m |
|------------------------|---------------|---------------|-------------|
| Alluminio anodizzato   | 3             | <b>608662</b> | 0,50        |

- Packaging: 24 metres.

## Chain - guide profile



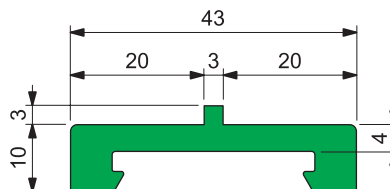
Part. S0885



| Material UHMWPE | Length metres | Code          |
|-----------------|---------------|---------------|
| ULF - brown red | 6             | <b>648423</b> |
| Green           | 6             | <b>68309</b>  |

- Can be used in combination with Part. S0884 - S0368.

## Chain - guide profile



Part. S0886



| Material UHMWPE | Length metres | Code          |
|-----------------|---------------|---------------|
| Green           | 6             | <b>644071</b> |

- Can be used in combination with Part. S0884 - S0368.

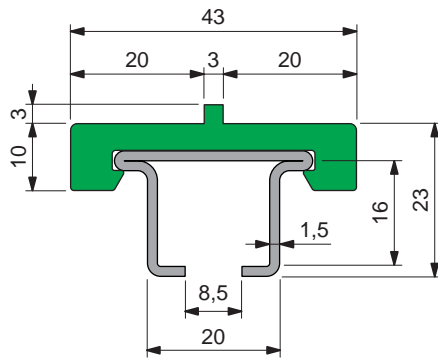
- **Best Seller**
- **Standard**
- **On request:** minimum quantity may apply. Consult our Customer Service for availability.

Item code for order = Part. + Code

## Part. S0366



### Chain - guide profile



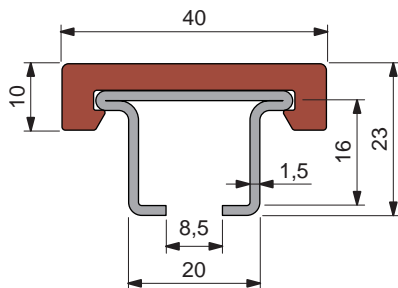
| Metal profile material     | Length metres | Code           | Weight kg/m |
|----------------------------|---------------|----------------|-------------|
| Austenitic stainless steel | 3             | <b>64056M</b>  | 1,10        |
|                            | 6             | <b>69585M</b>  |             |
| Ferritic stainless steel   | 3             | <b>693252M</b> |             |
|                            | 6             | <b>693262M</b> |             |

- Colour: green.
- Standard packaging: the plastic and metal profiles are supplied assembled.
- Packaging: 18 metres.

## Part. S0367



### Chain - guide profile



| Metal profile material     | Material UHMWPE | Length metres | Code             | Weight kg/m |
|----------------------------|-----------------|---------------|------------------|-------------|
| Austenitic stainless steel | ULF brown red   | 3             | <b>UL648523M</b> | 1,10        |
|                            |                 | 6             | <b>UL648533M</b> |             |
|                            | Green           | 3             | <b>64046M</b>    |             |
|                            |                 | 6             | <b>69615M</b>    |             |
| Ferritic stainless steel   | ULF brown red   | 3             | <b>UL648543M</b> |             |
|                            |                 | 6             | <b>UL648553M</b> |             |
|                            | Green           | 3             | <b>693272M</b>   |             |
|                            |                 | 6             | <b>693282M</b>   |             |

- Standard packaging: the plastic and metal profiles are supplied assembled.
- Packaging: 18 metres.

● Best Seller

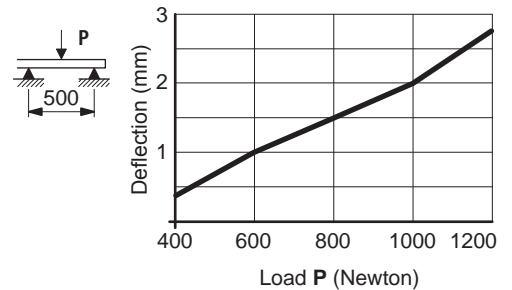
● Standard

● On request: minimum quantity may apply. Consult our Customer Service for availability.

Item code for order = Part. + Code

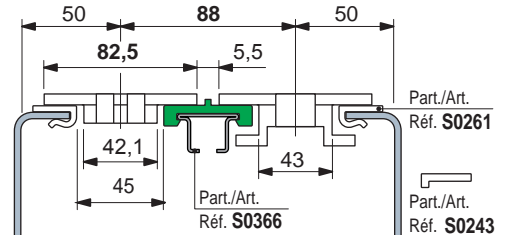
- **Material:** Polyethylene UHMWPE with molecular density 5.600.000 g/mol. Characteristics: new material Polyethylene ULF brown red (UHMWPE): reduced friction coefficient, higher wear resistance.
- **Linear expansion coefficient:**  $2 \times 10^{-4} \text{ } ^\circ\text{C}^{-1}$   
Calculation of thermal expansion see Technical information.
- **Operating temperature Green Black:**  
In air (-40 to +80 °C).  
In hot water (+70 °C).
- **Operating temperature ULF - brown red:**  
In air (-40 to +45 °C).  
In hot water (+45 °C).
- **Polyethylene ULF is FDA approved**  
Polyethylene ULF complies with the Code of Federal Regulations Title 21, § 177.1520 "Olefin Polymers" of the Food and Drug Administration (FDA) of April 1, 2008.
- Coefficient of friction between chain POM and wearstrip ULF: 0,08  
Note: for calculation of chain pull refer to Technical Support.
- **Position of guides.** See Technical information.

### Deflection of Part. S0366 - S0367 - S0368

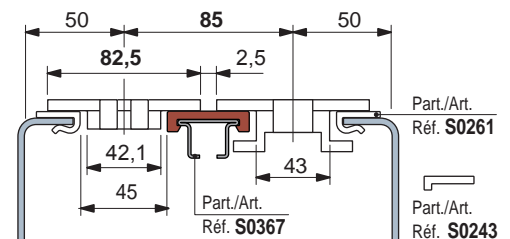


### TableTop® chains series 812 - 815 - 820 - 831 - 881TAB - 8811TAB - 879TAB - 880TAB

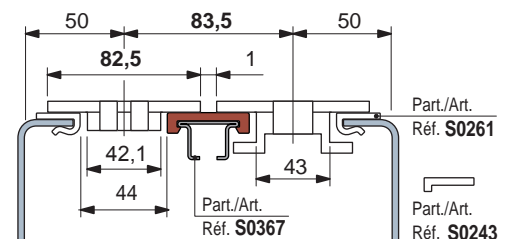
Chain width 82,5 mm (K 325) / Pitch 88 mm



Chain width 82,5 mm (K 325) / Pitch 85 mm



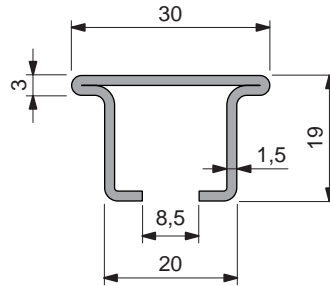
Chain width 82,5 mm (K 325) / Pitch 83,5 mm



# Chain - Guide Profiles

- **Material:** Polyethylene UHMWPE with molecular density 5.600.000 g/mol.  
Characteristics: new material Polyethylene ULF brown red (UHMWPE): reduced friction coefficient, higher wear resistance.
- **Linear expansion coefficient:**  $2 \times 10^{-4} \text{ } ^\circ\text{C}^{-1}$   
Calculation of thermal expansion see Technical information.
- **Operating temperature Green Black:**  
In air (- 40 to + 80 °C).  
In hot water (+ 70 °C).
- **Operating temperature ULF - brown red:**  
In air (- 40 to + 45 °C).  
In hot water (+ 45 °C).
- **Polyethylene ULF is FDA approved**  
Polyethylene ULF complies with the Code of Federal Regulations Title 21, § 177.1520 "Olefin Polymers" of the Food and Drug Administration (FDA) of April 1, 2008.
- Coefficient of friction between chain POM and wearstrip ULF: 0,08  
Note: for calculation of chain pull refer to Technical Support.
- **Position of guides.** See Technical information.

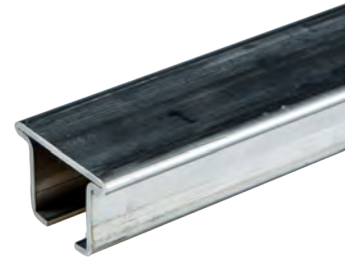
## Chain - guide profile



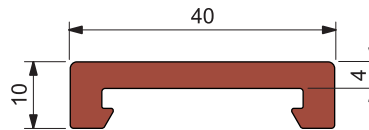
| Metal profile material     | Length metres | Code   | Weight kg/m |
|----------------------------|---------------|--------|-------------|
| Austenitic stainless steel | 3             | 64066  | 0,90        |
|                            | 6             | 69645  |             |
| Ferritic stainless steel   | 3             | 693292 |             |
|                            | 6             | 693302 |             |

- Use. recommended with MatTop® chains in abrasive environment / high speed / high temperature.
- Packaging. 18 metres.

Part. S0368



## Chain - guide profile



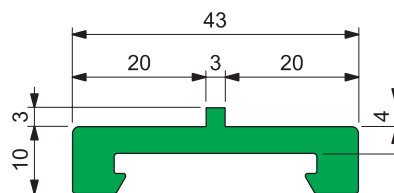
| Material UHMWPE | Length metres | Code   |
|-----------------|---------------|--------|
| ULF - brown red | 6             | 648423 |
| Green           | 6             | 68309  |

- Can be used in combination with Part. S0368 - S0884.

Part. S0885



## Chain - guide profile



| Material UHMWPE | Length metres | Code   |
|-----------------|---------------|--------|
| Green           | 6             | 644071 |

- Can be used in combination with Part. S0368 - S0884.

Part. S0886



● Best Seller

● Standard

● On request: minimum quantity may apply. Consult our Customer Service for availability.

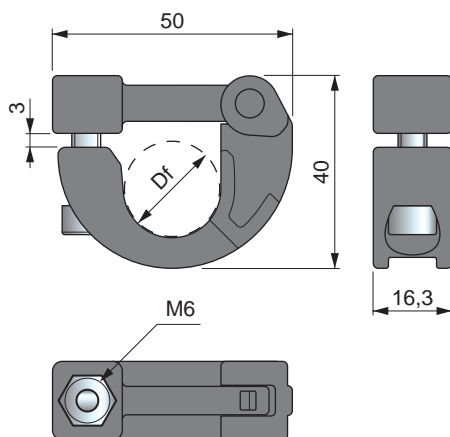
Item code for order = Part. + Code



## Part. S0858



### Hinge Joint



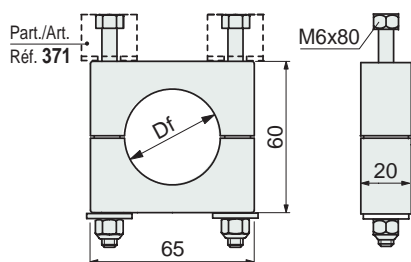
| Bore dia.<br>Df<br>mm | Code          | Weight<br>kg |
|-----------------------|---------------|--------------|
| ø 20                  | <b>645493</b> | 0,03         |

- Use. easy assembly of wear strips on tubes rods dia. 20 mm.
- Material. clamp in reinforced polyamide PA FV (black). Bolts and nuts in austenitic stainless steel.
- Packaging. 50 pieces.

## Part. S0559



### Connecting block

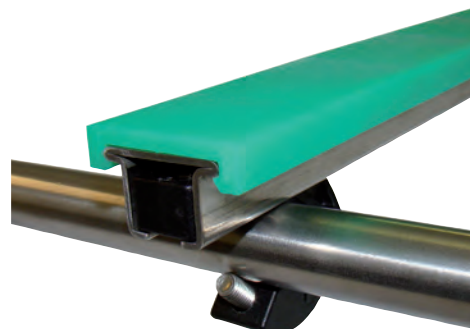


| Bore dia.<br>Df<br>mm | Code          |
|-----------------------|---------------|
| ø 38                  | <b>696161</b> |

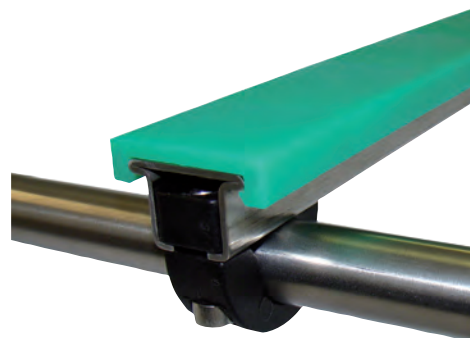
- Use: easy assembly of wear strips on tube dia. 38 mm.
- Material. clamp in reinforced polyamide PA FV (black). Bolts and nuts in austenitic stainless steel. Self-locking nuts.
- Packaging. 50 pieces.

### Use of Part S0858

Assembly the chain guide profiles Part. S0366 - S0367 - S0368 on rods dia. 20 mm.

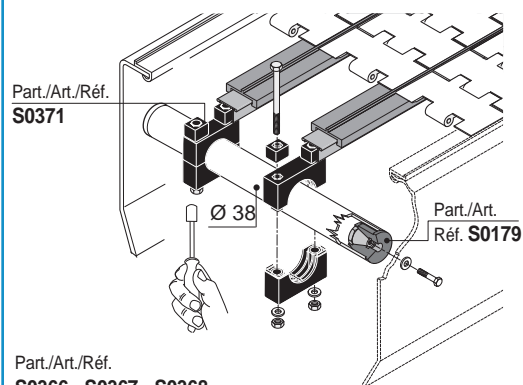


No more drilling holes to assemble the profile, possibility to easily adjust the position of the guide, standardization of the 20 mm rod already used for the chain return section (with rollers).

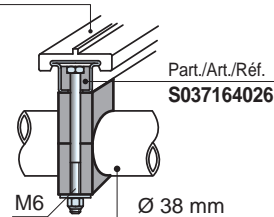


### Assembly of Part. S0559

Part. S0371 (M6 version) shall be used to assemble wear strips on Part. S0559.



Part./Art./Réf.  
**S0366 - S0367 - S0368**



● Best Seller

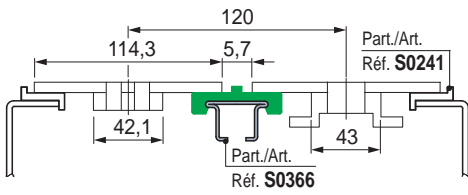
● Standard

● On request: minimum quantity may apply. Consult our Customer Service for availability.

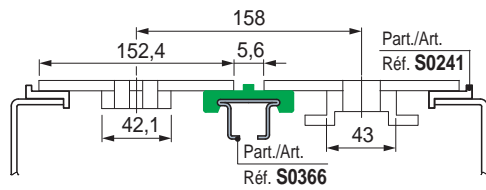
Item code for order = Part. + Code

# Chain - Guide Profiles

Chain width 114,3 mm (K 450) / Pitch 120 mm

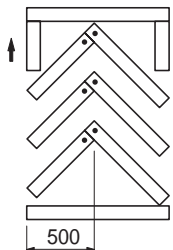
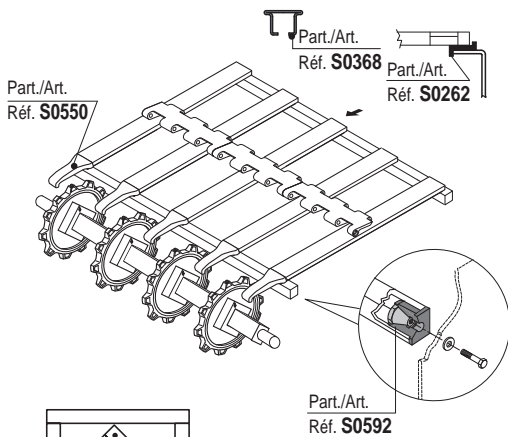
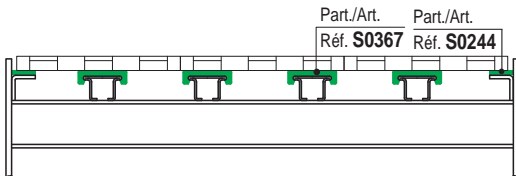


Chain width 152,4 mm (K 600) / Pitch 158 mm



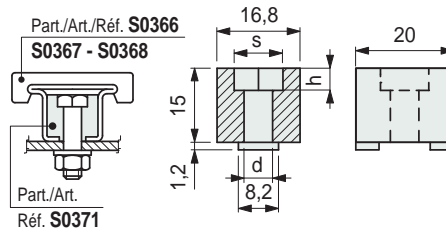
• **MatTop® modular chains**

Parallel wear strips.  
Recommened with medium light loads.



CHEVRON pattern.  
Recommended with high loads  
(accumulation tables).  
Chain wear is evenly distributed  
throughout the width.

■ **Mounting block**



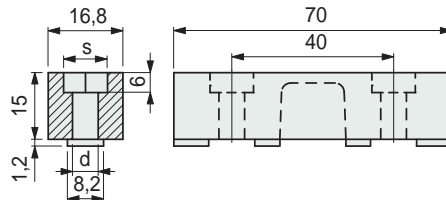
Part. S0371



| d<br>mm             | h<br>mm | Hexagon<br>s<br>mm | Code  |
|---------------------|---------|--------------------|-------|
| 6,2 (for screws M6) | 4,5     | 10,2               | 64026 |
| 8,1 (for screws M8) | 6       | 13,2               | 61056 |

- Use. easy assembly of wear strips on frame. Assembly with M6 or M8 hexagon bolt.
- Material. reinforced polyamide PA FV (black).
- Packaging. 100 pieces.

■ **Connecting block**



Part. S0621



| d<br>mm                     | Hexagon<br>s<br>mm | Code   |
|-----------------------------|--------------------|--------|
| 6,2 (for screws M6)         | 10,2               | 670562 |
| 8,1 (for screws M8 - 5/16") | 13,2               | 635542 |

- Use. easy connection of chain guide profiles Part. S0366 - S0367 - S0368. Assembly with M6 - M8 - 5/16" hexagon bolt.
- Material. reinforced polyamide PA FV (black).
- Packaging. 100 pieces.

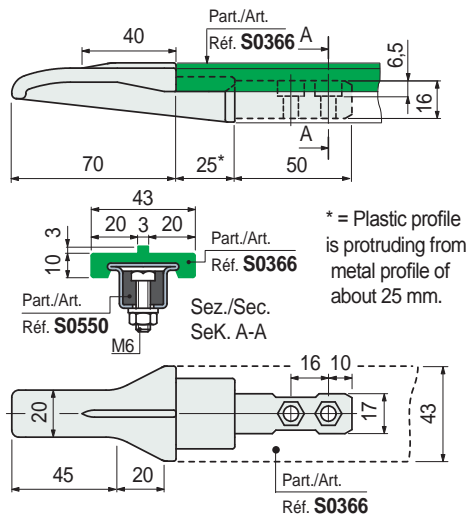
- **Best Seller**
- **Standard**
- **On request:** minimum quantity may apply. Consult our Customer Service for availability.

Item code for order = Part. + Code

## Part. S0550



### Chain inlet guide shoe (centre)



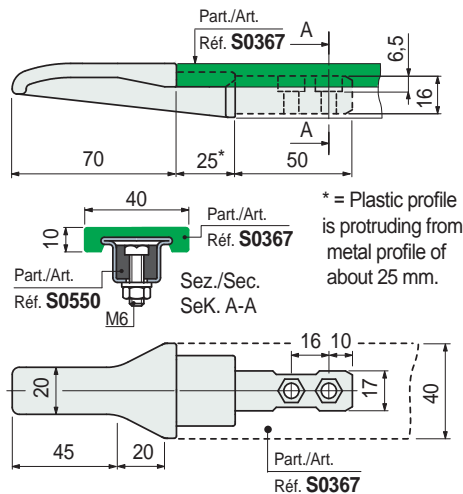
| Code   | Weight kg |
|--------|-----------|
| 689481 | 0,042     |

- Use: can be used in combination with Part. S0366.
- Material: polyamide PA (black).
- Packaging: 50 pieces.

## Part. S0550



### Chain inlet guide shoe (centre)



| Code   | Weight kg |
|--------|-----------|
| 689491 | 0,042     |

- Use: can be used in combination with Part. S0367.
- Material: polyamide PA (black).
- Packaging: 50 pieces

● Best Seller

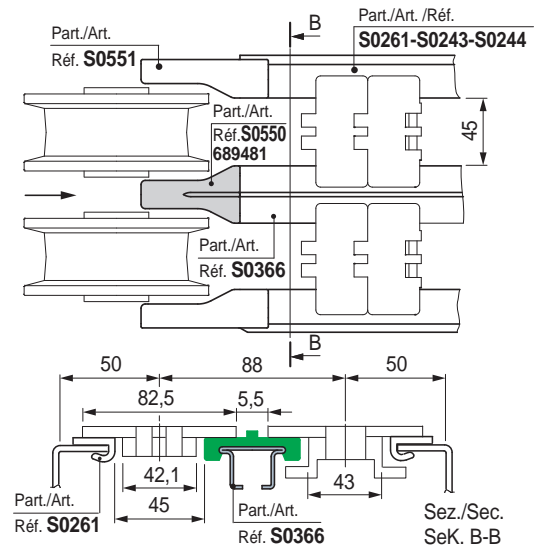
● Standard

● On request: minimum quantity may apply. Consult our Customer Service for availability.

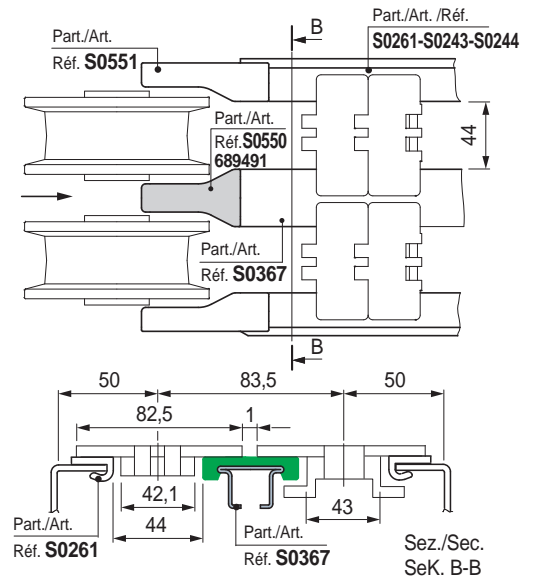
Item code for order = Part. + Code

In TableTop® conveyors, chain inlet guide shoes shall be used near the idlers.  
In MatTop® conveyors can be used near the sprockets too.

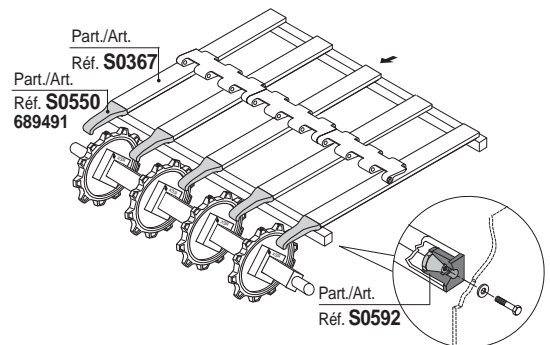
- Chain width 82,5 mm (K325) / Pitch 88 mm.



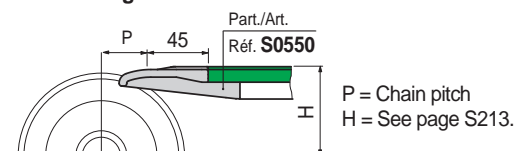
- Chain width 82,5 mm (K325) / Pitch 83,5 mm.



- Example of use of Part. 550 in a MatTop® conveyor.

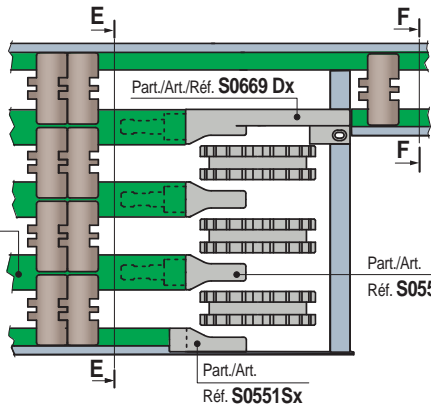
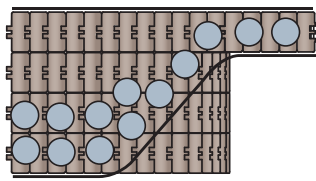


- Positioning

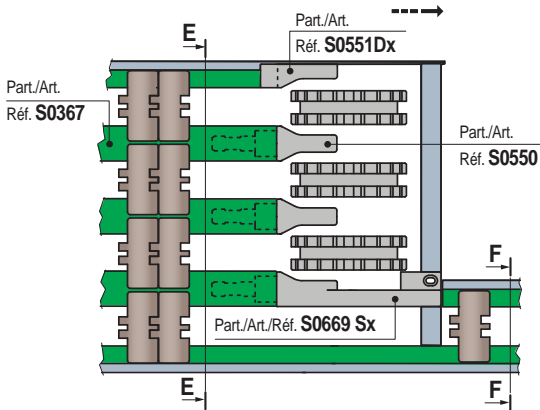
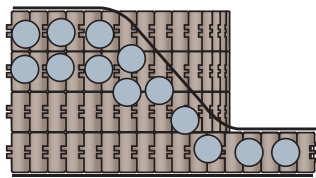


# Chain - Guide Profiles

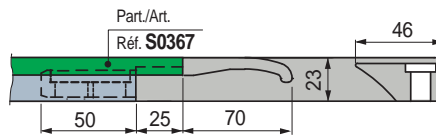
## • Right shoe Dx



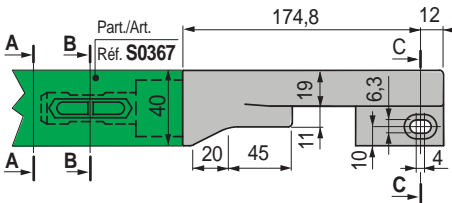
## • Left shoe Sx



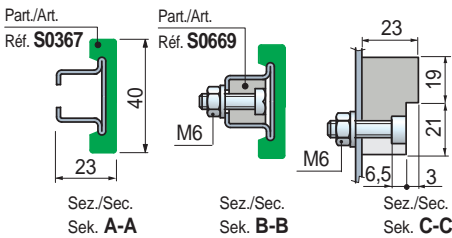
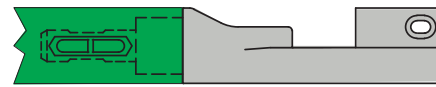
## ■ Side transfer guide shoe



### Version right Dx



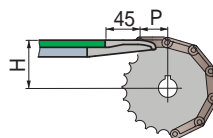
### Version left Sx



| Material                | Version  | Code   | Weight kg |
|-------------------------|----------|--------|-----------|
| Poliamide<br>PA (black) | Right Dx | 674212 | 0,1       |
|                         | Left Sx  | 674222 |           |

- Use: chain guide during side transfer.
- Packaging: 10 pieces.

## • Positioning



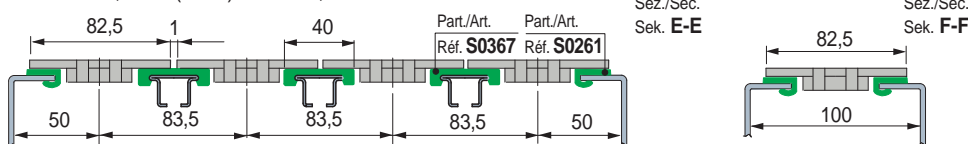
P = Chain pitch  
H = See page S213.

Part. S0669

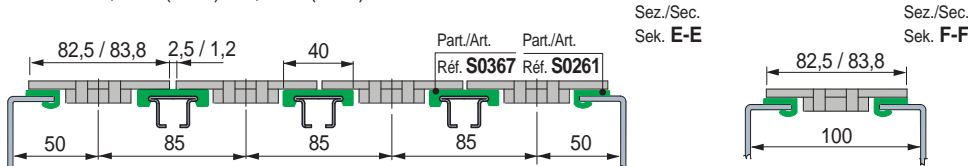


## • TableTop® chains series 812 - 815 - 820 - 831 - 881TAB - 8811TAB - 879TAB - 880TAB

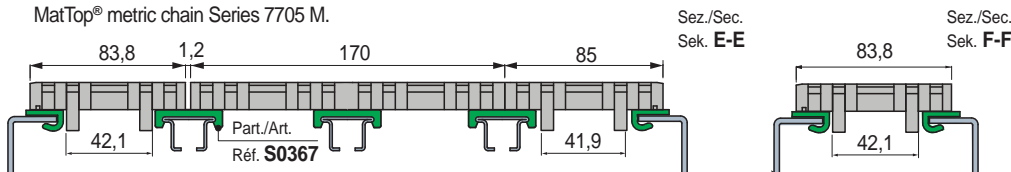
Chain width 82,5 mm (K325) / Pitch 83,5 mm



Chain width 82,5 mm (K325) - 83,8 mm (K330) / Pitch 85 mm



MatTop® metric chain Series 7705 M.



- Best Seller
- Standard
- On request: minimum quantity may apply. Consult our Customer Service for availability.

Item code for order = Part. + Code

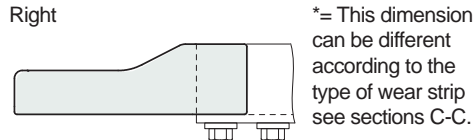
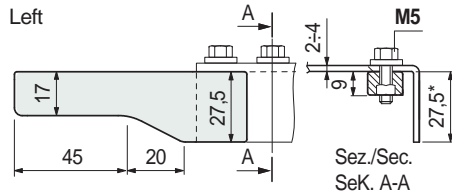
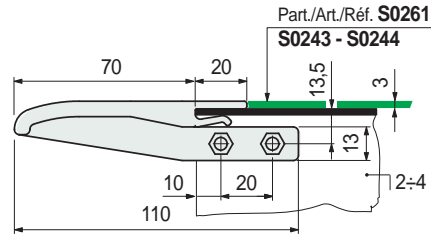
# Chain - Guide Profiles

for Part. 261 - 243 - 244

## Part. S0551



### Chain inlet guide shoe (side)



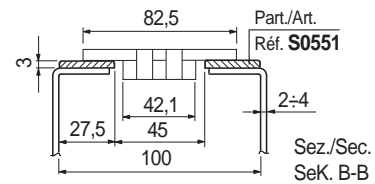
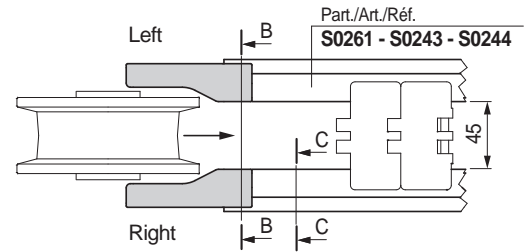
| State of supply | Code   | Weight kg |
|-----------------|--------|-----------|
| Left + Right    | 689501 | 0,026     |
| Right           | 630913 | 0,013     |
| Left            | 630923 | 0,013     |

- Use: can be used in combination with Part. S0261- S0243 - S0244.
- Material: polyamide PA (black).
- Packaging: 25 left + 25 right

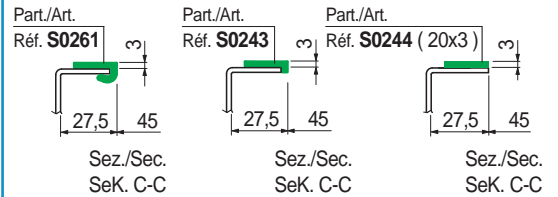
### Use for Part. S0551

In TableTop® conveyors, chain inlet guide shoes shall be used near the idlers.

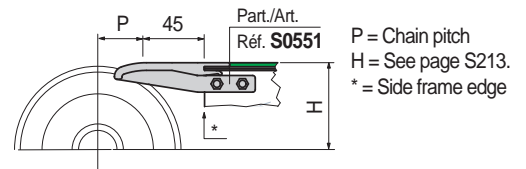
- Chain width 82,5 mm (K325).



Types of wear strips that can be used with guide shoe (only thickness 3 mm).



### Positioning



● Best Seller

● Standard

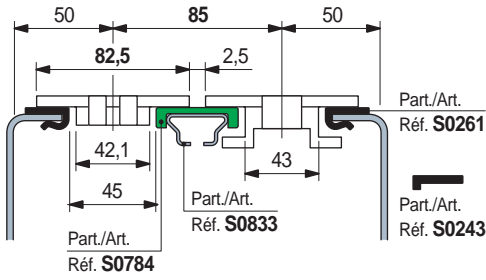
● On request: minimum quantity may apply. Consult our Customer Service for availability.

Item code for order = Part. + Code

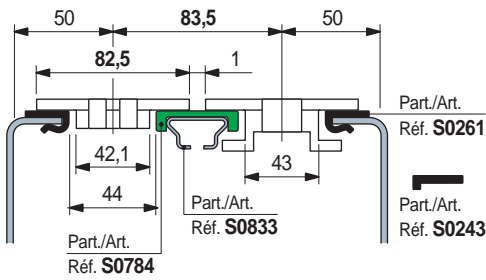
# Chain - Guide Profiles

• **TableTop® chains** series 812 - 815 - 820 - 831 - 881TAB - 8811TAB - 879TAB - 880TAB

Chain width 82,5 mm (K 325) / Pitch 85 mm

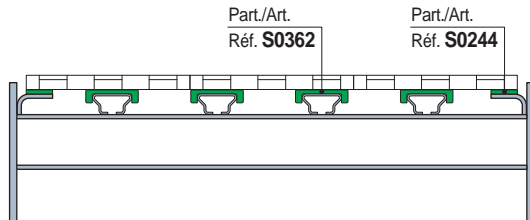


Chain width 82,5 mm (K 325) / Pitch 83,5 mm

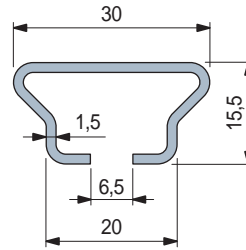


• **MatTop® modular chains**

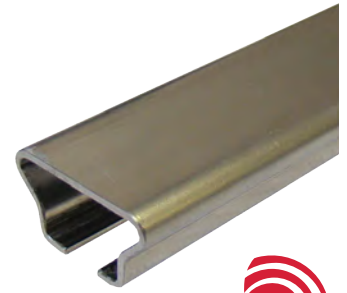
Parallel wear strips. Recommended with medium light loads.



## Chain - guide profile



Part. S0833



| Metal profile material   | Length metres | Code   | Weight kg/m |
|--------------------------|---------------|--------|-------------|
| Ferritic stainless steel | 3             | 636303 | 0,90        |
|                          | 6             | 636313 |             |

- Use: recommended with MatTop® chains in abrasive environment / high speed / high temperature.

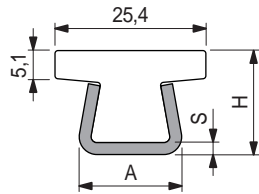
- Best Seller
- Standard
- On request: minimum quantity may apply. Consult our Customer Service for availability.

Item code for order = Part. + Code

## Part. S0768



### Chain - guide profile



| S   | H    | A  |
|-----|------|----|
| mm  | mm   | mm |
| 1,5 | 17   | 16 |
| 2   | 17,5 | 17 |

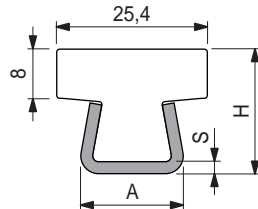
| Thickness S mm | Metal profile material     | Length metres | Code           | Weight kg/m |
|----------------|----------------------------|---------------|----------------|-------------|
| 1,5            | Austenitic stainless steel | 3             | <b>609083N</b> | 0,63        |
|                | Zinc plated steel          | 6             | <b>609093N</b> |             |
|                | Austenitic stainless steel | 3             | <b>609103N</b> |             |
| 2              | Austenitic stainless steel | 3             | <b>609113N</b> | 0,74        |
|                | Austenitic stainless steel | 6             | <b>609123N</b> |             |

- Colour: white.
- Min. curvature radius: 160 mm.
- Linear expansion coefficient:  $4 \times 10^{-5} \text{ } ^\circ\text{C}^{-1}$ .
- Calculation of thermal expansion see Technical information.
- Packaging: 24 metres.

## Part. S0767



### Chain - guide profile



| S   | H    | A  |
|-----|------|----|
| mm  | mm   | mm |
| 1,5 | 20,5 | 16 |
| 2   | 21   | 17 |

| Thickness S mm | Metal profile material     | Length metres | Code           | Weight kg/m |
|----------------|----------------------------|---------------|----------------|-------------|
| 1,5            | Austenitic stainless steel | 3             | <b>609033N</b> | 0,72        |
|                | Zinc plated steel          | 6             | <b>609043N</b> |             |
|                | Austenitic stainless steel | 3             | <b>609063N</b> |             |
| 2              | Austenitic stainless steel | 3             | <b>609073N</b> | 0,82        |
|                | Austenitic stainless steel | 6             | <b>609073N</b> |             |

- Colour: white.
- Min. curvature radius: 160 mm.
- Linear expansion coefficient:  $4 \times 10^{-5} \text{ } ^\circ\text{C}^{-1}$ .
- Calculation of thermal expansion see Technical information.
- Packaging: 24 metres.

- **Material:** Polyethylene UHMWPE with molecular density 5.600.000 g/mol.  
Characteristics: new material Polyethylene ULF brown red (UHMWPE): reduced friction coefficient, higher wear resistance.

- **Operating temperature White, Green, Black:**

- In air (- 40 to + 80 °C).
- In hot water (+ 70 °C).

- **Operating temperature ULF - brown red:**

- In air (- 40 to + 45 °C).
- In hot water (+ 45 °C).

- Polyethylene ULF is FDA approved

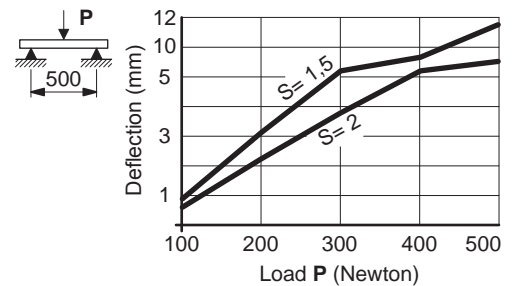
Polyethylene ULF complies with the Code of Federal Regulations Title 21, § 177.1520 "Olefin Polymers" of the Food and Drug Administration (FDA) of April 1, 2008.

- **Head joint**

Head joint shall be made with a 45° cut to avoid steps and guarantee chain smooth movement.

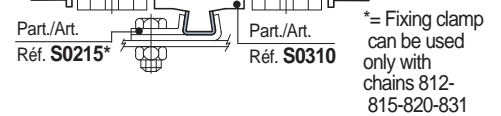
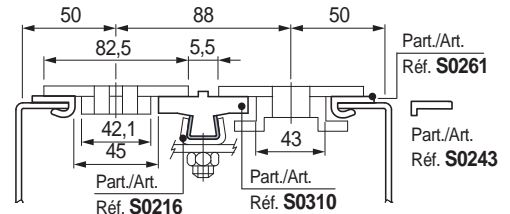
With temperature increase it is necessary to leave a gap wide enough to allow for thermal elongation of plastic parts.

- **Deflection of Part. S0223 - S0310 - S0356**

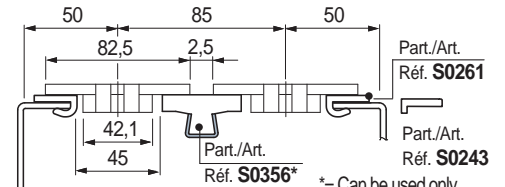


- **TableTop® chains series 812 - 815 - 820 - 831 - 881TAB - 8811TAB - 879TAB - 880TAB**

Chain width 82,5 mm (K 325) / Pitch 88 mm

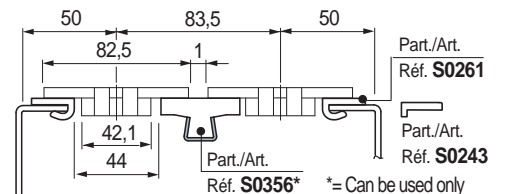


Chain width 82,5 mm (K 325) / Pitch 85 mm



\*= Can be used only with chains 812-815-820-831

Chain width 82,5 mm (K 325) / Pitch 83,5 mm



\*= Can be used only with chains 812-815-820-831

● Best Seller

● Standard

● On request: minimum quantity may apply. Consult our Customer Service for availability.

Item code for order = Part. + Code

# Chain - Guide Profiles

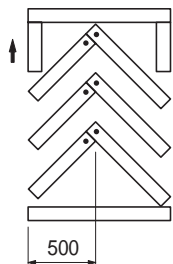
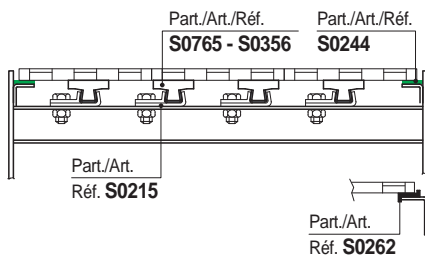
- **Material:** Polyethylene UHMWPE with molecular density 5.600.000 g/mol.  
Characteristics: new material Polyethylene ULF brown red (UHMWPE): reduced friction coefficient, higher wear resistance.
- **Operating temperature White, Green, Black:**  
In air (- 40 to + 80 °C).  
In hot water (+ 70 °C).
- **Operating temperature ULF - brown red:**  
In air (- 40 to + 45 °C).  
In hot water (+ 45 °C).
- Polyethylene ULF is FDA approved  
Polyethylene ULF complies with the Code of Federal Regulations Title 21, § 177.1520 "Olefin Polymers" of the Food and Drug Administration (FDA) of April 1, 2008.

• **Head joint**

Head joint shall be made with a 45° cut to avoid steps and guarantee chain smooth movement.  
With temperature increase it is necessary to leave a gap wide enough to allow for thermal elongation of plastic parts.

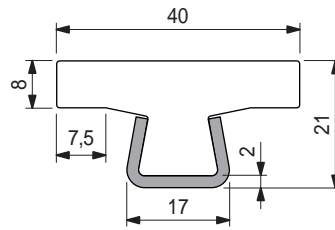
• **MatTop® modular chain**

Parallel wear strip.  
Recommended with medium-light loads.



**CHEVRON pattern.**  
Recommended with high loads (accumulation tables)  
Chain wear is evenly distributed throughout the width.

■ **Chain - guide profile**



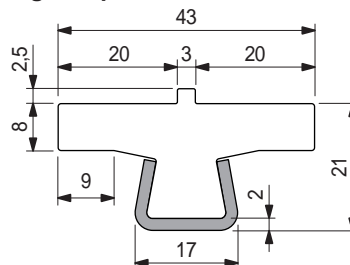
| Colour | Length metres | Code  | Weight kg/m |
|--------|---------------|-------|-------------|
| White  | 3             | 61605 | 0,89        |
|        | 6             | 61615 |             |

Part. S0356



- Material: metal profile austenitic stainless steel.
- Linear expansion coefficient:  $4 \times 10^{-5} \text{ } ^\circ\text{C}^{-1}$ .
- Calculation of thermal expansion see Technical information.
- Packaging: 24 metres.

■ **Chain - guide profile**



| Colour | Length metres | Code  | Weight kg/m |
|--------|---------------|-------|-------------|
| White  | 3             | 65612 | 0,95        |
|        | 6             | 69412 |             |

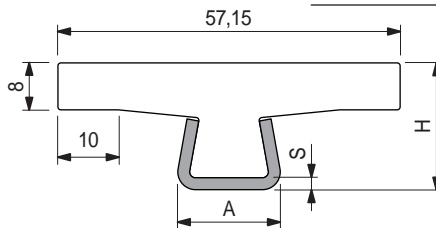
Part. S0310



- Material: metal profile austenitic stainless steel.
- Linear expansion coefficient:  $4 \times 10^{-5} \text{ } ^\circ\text{C}^{-1}$ .
- Calculation of thermal expansion see Technical information.
- Packaging: 24 metres.

■ **Chain - guide profile**

| S   | H    | A  |
|-----|------|----|
| mm  | mm   | mm |
| 1,5 | 20,5 | 16 |
| 2   | 21   | 17 |



| Thickness S mm | Metal profile material     | Length metres | Code    | Weight kg/m |
|----------------|----------------------------|---------------|---------|-------------|
| 1,5            | Austenitic stainless steel | 3             | 608943N | 0,95        |
|                |                            | 6             | 608953N |             |
|                | Zinc plated steel          | 3             | 608963N |             |
|                |                            | 6             | 608973N |             |
| 2              | Austenitic stainless steel | 3             | 608973N | 1,06        |
|                |                            | 6             | 608983N |             |

Part. S0765



- Colour: white.
- Min. curvature radius: 160 mm.
- Linear expansion coefficient:  $4 \times 10^{-5} \text{ } ^\circ\text{C}^{-1}$ .
- Calculation of thermal expansion see Technical information.
- Packaging: 24 metres.

- **Best Seller**
- **Standard**
- **On request:** minimum quantity may apply. Consult our Customer Service for availability.

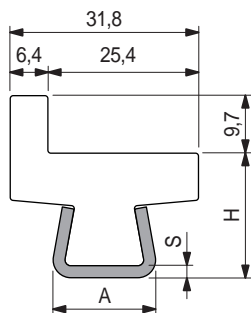
Item code for order = Part. + Code



## Part. S0766



### Chain - guide profile



| S   | H    | A  |
|-----|------|----|
| mm  | mm   | mm |
| 1,5 | 20,5 | 16 |
| 2   | 21   | 17 |

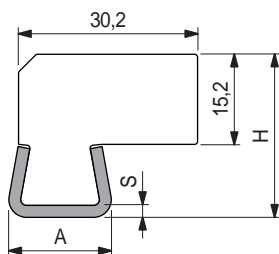
| Thickness S mm | Metal profile material     | Length metres | Code    | Weight kg/m |
|----------------|----------------------------|---------------|---------|-------------|
| 1,5            | Austenitic stainless steel | 3             | 608993N | 0,82        |
|                |                            | 6             | 609003N |             |
| 2              | Austenitic stainless steel | 3             | 609013N | 0,93        |
|                |                            | 6             | 609023N |             |

- Colour: white.
- Linear expansion coefficient:  $4 \times 10^{-5} \text{ } ^\circ\text{C}^{-1}$ .
- Calculation of thermal expansion see Technical information.
- Packaging: 24 metres.

## Part. S0764



### Chain - guide profile



| S   | H    | A  |
|-----|------|----|
| mm  | mm   | mm |
| 1,5 | 25,7 | 16 |
| 2   | 26,2 | 17 |

| Thickness S mm | Metal profile material     | Length metres | Code    | Weight kg/m |
|----------------|----------------------------|---------------|---------|-------------|
| 1,5            | Austenitic stainless steel | 3             | 608903N | 0,93        |
|                |                            | 6             | 608913N |             |
| 2              | Austenitic stainless steel | 3             | 608923N | 1,03        |
|                |                            | 6             | 608933N |             |

- Colour: white.
- Linear expansion coefficient:  $4 \times 10^{-5} \text{ } ^\circ\text{C}^{-1}$ .
- Calculation of thermal expansion see Technical information.
- Packaging: 24 metres.

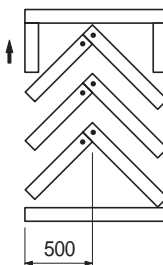
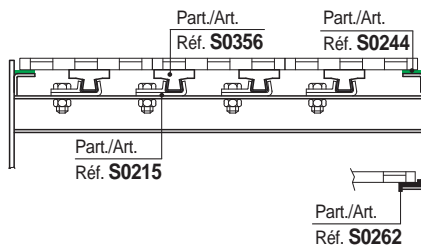
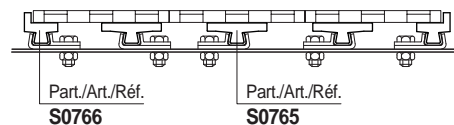
- **Material:** Polyethylene UHMWPE with molecular density 5.600.000 g/mol.  
Characteristics: new material Polyethylene ULF brown red (UHMWPE): reduced friction coefficient, higher wear resistance.
- **Operating temperature White, Green, Black:**  
In air (- 40 to + 80 °C).  
In hot water (+ 70 °C).
- **Operating temperature ULF - brown red:**  
In air (- 40 to + 45 °C).  
In hot water (+ 45 °C).
- Polyethylene ULF is FDA approved  
Polyethylene ULF complies with the Code of Federal Regulations Title 21, § 177.1520 "Olefin Polymers" of the Food and Drug Administration (FDA) of April 1, 2008.

#### Head joint

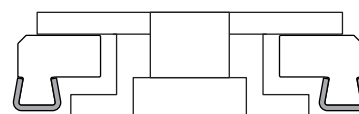
Head joint shall be made with a 45° cut to avoid steps and guarantee chain smooth movement.  
With temperature increase it is necessary to leave a gap wide enough to allow for thermal elongation of plastic parts.

#### MatTop® modular chain

Parallel wear strip.  
Recommended with medium-light loads.



CHEVRON pattern.  
Recommended with high loads (accumulation tables)  
Chain wear is evenly distributed throughout the width.



● Best Seller

● Standard

● On request: minimum quantity may apply. Consult our Customer Service for availability.

Item code for order = Part. + Code

# Chain - Guide Profiles

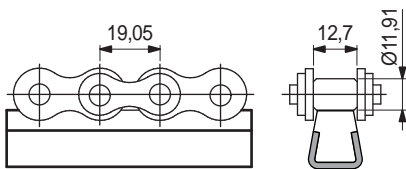
- **Material:** Polyethylene UHMWPE with molecular density 5.600.000 g/mol.  
Characteristics: new material Polyethylene ULF brown red (UHMWPE): reduced friction coefficient, higher wear resistance.
- **Operating temperature White, Green, Black:**  
In air (- 40 to + 80 °C).  
In hot water (+ 70 °C).
- **Operating temperature ULF - brown red:**  
In air (- 40 to + 45 °C).  
In hot water (+ 45 °C).
- Polyethylene ULF is FDA approved  
Polyethylene ULF complies with the Code of Federal Regulations Title 21, § 177.1520 "Olefin Polymers" of the Food and Drug Administration (FDA) of April 1, 2008.

**Head joint**

Head joint shall be made with a 45° cut to avoid steps and guarantee chain smooth movement.  
With temperature increase it is necessary to leave a gap wide enough to allow for thermal elongation of plastic parts.

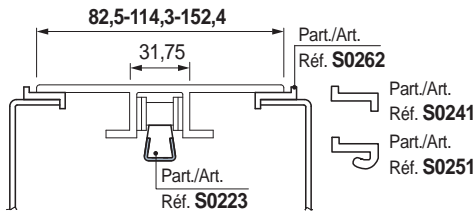
**Use of Part. S0223**

ANSI 60 American series roller chain (pitch 19,05 mm, roller Dia. 11,91 mm, internal width 12,7 mm).

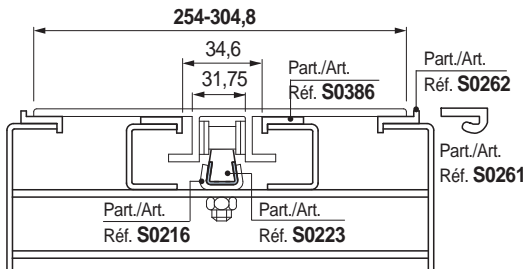


**PlateTop chain series 1874 - 4874 - 1873**

Chain width 82,5 mm (K 325), 114,3 mm (K 450), 152,4 mm (K 600)

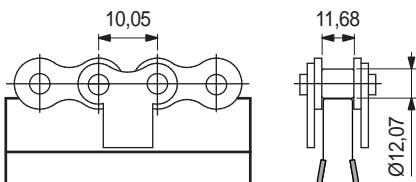


Chain width 254 mm (K 1000), 304,8 mm (K 1200)

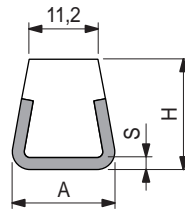


**Use of Part. S0274**

ISO 12 B1 European series roller chains with straight connections (pitch 10,05 mm, roller Dia. 12,07 mm, internal width 11,68 mm).



**Chain - guide profile**



| S   | H    | A  |
|-----|------|----|
| mm  | mm   | mm |
| 1,5 | 17,5 | 16 |
| 2   | 18   | 17 |

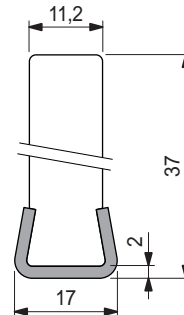
| Thickness S mm | Metal profile material     | Length metres | Code  | Weight kg/m |
|----------------|----------------------------|---------------|-------|-------------|
| 1,5            | Austenitic stainless steel | 3             | 61031 | 0,54        |
|                |                            | 6             | 69402 |             |
| 2              | Austenitic stainless steel | 3             | 63971 |             |
|                |                            | 6             | 67123 |             |

- Colour: white.
- Linear expansion coefficient:  $4 \times 10^{-5} \text{ } ^\circ\text{C}^{-1}$ .
- Calculation of thermal expansion see Technical information.
- Packaging: 24 metres (in 3 m length).  
48 metres (in 6 m length).

Part. S0223



**Chain - guide profile**



| Colour | Length metres | Code  | Weight kg/m |
|--------|---------------|-------|-------------|
| White  | 3             | 66801 | 0,79        |

- Material: metal profile austenitic stainless steel.
- Linear expansion coefficient:  $4 \times 10^{-5} \text{ } ^\circ\text{C}^{-1}$ .
- Calculation of thermal expansion see Technical information.
- Packaging: 24 metres.

Part. S0274



- **Best Seller**
- **Standard**
- **On request:** minimum quantity may apply. Consult our Customer Service for availability.

Item code for order = Part. + Code

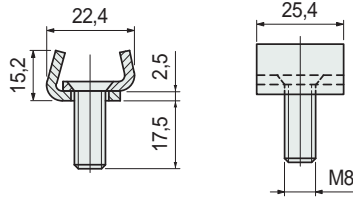
# Chain - Guide Profiles

for Part. S0223 - S0274 - S0310 - S0356

## Part. S0903



### ■ ViseClamp™



Use

Code

For guides with S = 2

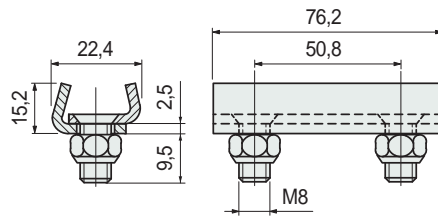
**656001N**

- Material: austenitic stainless steel.
- Packaging: 50 pieces.

## Part. S0902



### ■ ViseSplice™



Use

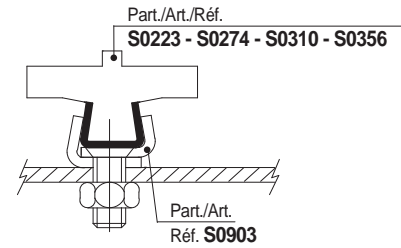
Code

For guides with S = 2

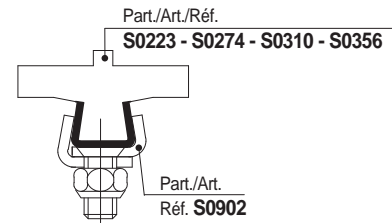
**656041N**

- Material: austenitic stainless steel.
- Self-locking nut.
- Packaging: 50 pieces.

### • Assembly of Part. S0903



### • Assembly of Part. S0902



● Best Seller

● Standard

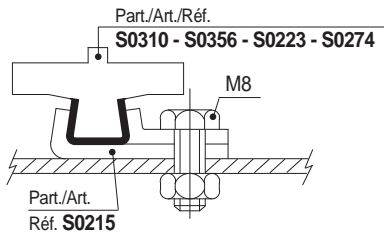
● On request: minimum quantity may apply. Consult our Customer Service for availability.

Item code for order = Part. + Code

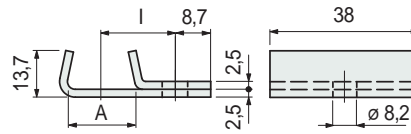
# Chain - Guide Profiles

for Part. S0223 - S0274 - S0310 - S0356

## • Assembly of Part. S0215



## ■ Clamp



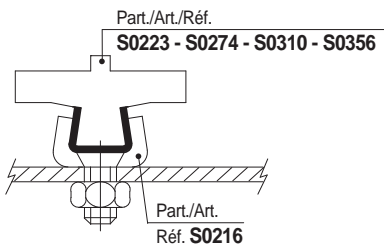
| Use                     | A<br>mm | I<br>mm | Code          |
|-------------------------|---------|---------|---------------|
| For guides with S = 1,5 | 16      | 20,5    | <b>60121N</b> |
| For guides with S = 2   | 17      | 20      | <b>65976N</b> |

- Use: easy assembly of guide profiles Part. S0310 - S0356 - S0223 - S0274.
- Material: austenitic stainless steel.
- Packaging: 50 pieces.

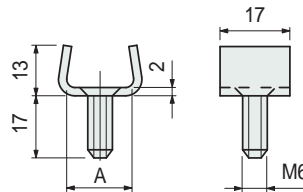
## Part. S0215



## • Assembly of Part. S0216



## ■ Clamp



| Use  | Code         |
|--|--------------|
| For Part. S0223 (with S = 1,5)                 | <b>60131</b> |
| For Part. S0223 (with S = 2)-S0274-S0310-S0356 | <b>64244</b> |

- Use: easy assembly of guide profiles Part. S0310 - S0356 - S0223 - S0274.
- Material: austenitic stainless steel.
- Packaging: 50 pieces.

## Part. S0216

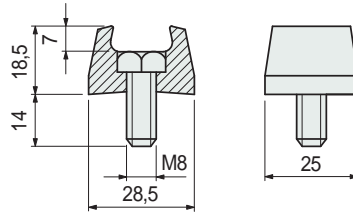


- **Best Seller**
- **Standard**
- **On request:** minimum quantity may apply. Consult our Customer Service for availability.

Item code for order = Part. + Code

## Part. S0275

**■ Clamp**



Use

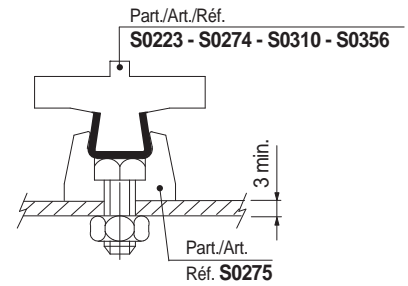
Code

For Part. S0223 (with S = 1,5 e 2)  
S0274 - S0310 - S0356

**66811**

- Use: easy assembly of guide profiles Part. S0310 - S0356 - S0223 - S0274.
- Material: body in acetal resin POM (black), bolt in austenitic stainless steel.
- Packaging: 100 pieces.

• Assembly of Part. S0275



● Best Seller

● Standard

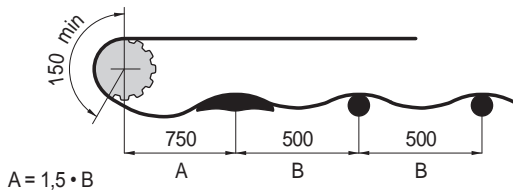
● On request: minimum quantity may apply. Consult our Customer Service for availability.

Item code for order = Part. + Code

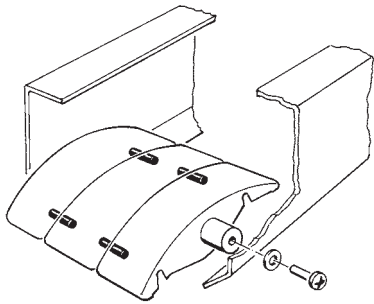
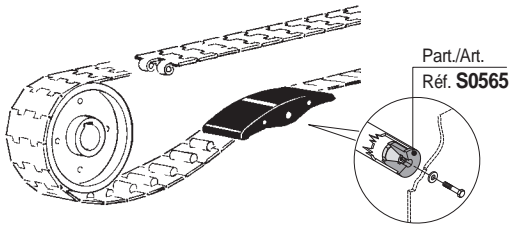
# Wear shoe for Chain Return

Part. S0153

• Positioning



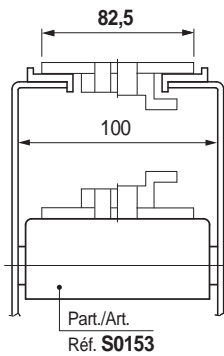
• Assembly



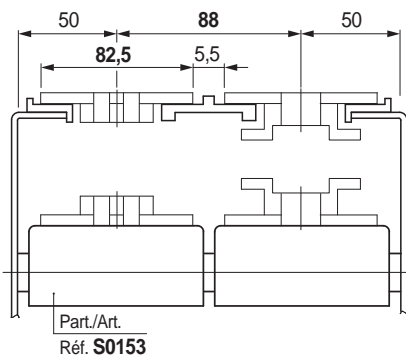
Shoes can be pinned together

• TableTop® chains / PlateTop chains

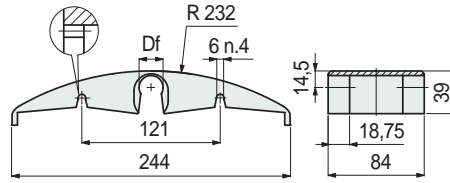
Chain width 82,5 mm (K 325)



Chain width 82,5 mm (K 325) / Pitch 88 mm



■ Wear shoe



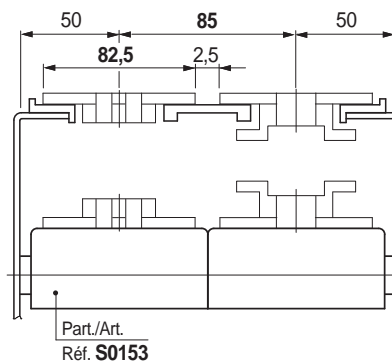
| Shaft dia. mm | Bore dia. Df mm | Material                | Code     |
|---------------|-----------------|-------------------------|----------|
| 18            | 18,5            | UNL™ (aubergine)        | 609423N1 |
|               |                 | Polyethylene PE (green) | 608692N1 |
|               |                 | Polyamide PA (black)    | 684221N1 |
| 20            | 20,5            | Polyethylene PE (green) | 684231N1 |
|               |                 | UNL™ (aubergine)        | 609433N1 |

- New UNL™ low noise material is recommended only with LBP chains.
- PE polyethylene (green) version is recommended with plastic chains and metal chains.
- PA polyamide (black) version is recommended only with metal chains.
- The use of only one wear shoe after the catenary is recommended, with the exception of LBP chains that can run on more wear shoes.
- Packaging: 15 pieces.



Snap-on assembly

Chain width 82,5 mm (K 325) / Pitch 85 mm



- Best Seller
- Standard
- On request: minimum quantity may apply. Consult our Customer Service for availability.

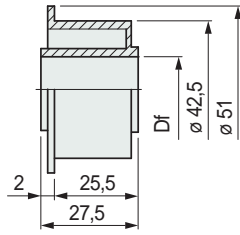
Item code for order = Part. + Code

Part. S0073



Dia. 42,5 mm

Roller



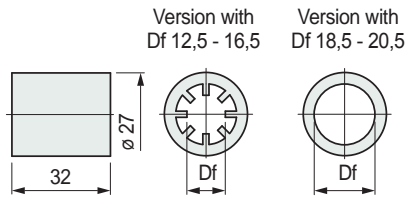
| Shaft dia. mm | Bore dia. Df mm | Code  |
|---------------|-----------------|-------|
| 12            | 12,5            | 50660 |
| 16            | 16,5            | 62946 |
| 18            | 18,5            | 50670 |
| 20            | 20,5            | 50680 |

- Material: polyethylene PE (black).  
- Packaging: 100 pieces.

Part. S0126



Separator



| Shaft dia. mm | Bore dia. Df mm | Code  |
|---------------|-----------------|-------|
| 12            | 12,5            | 65396 |
| 16            | 16,5            | 65406 |
| 18            | 18,5            | 65416 |
| 20            | 20,5            | 62520 |

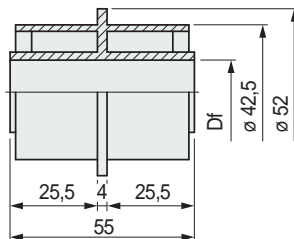
- Material: polyethylene PE (black).  
- Packaging: 100 pieces.

Part. S0125



Dia. 42,5 mm

Double roller L55

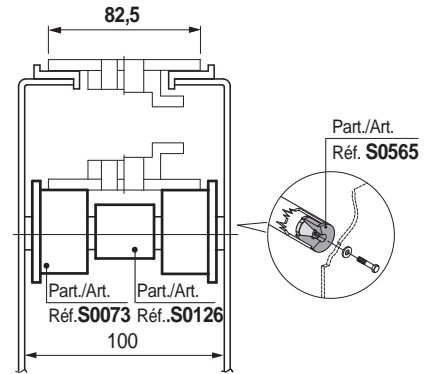


| Shaft dia. mm | Bore dia. Df mm | Code  |
|---------------|-----------------|-------|
| 12            | 12,5            | 62956 |
| 16            | 16,5            | 62966 |
| 18            | 18,5            | 62976 |
| 20            | 20,5            | 62510 |

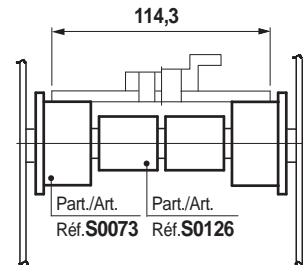
- Material: polyethylene PE (black).  
- Packaging: 100 pieces.

TableTop® chains / PlateTop chains

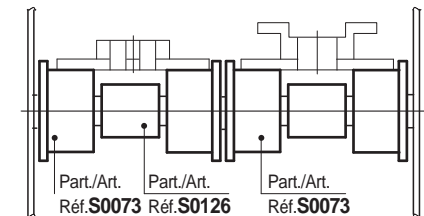
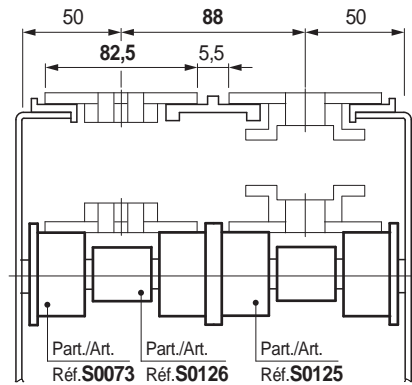
Chain width 82,5 mm (K 325)



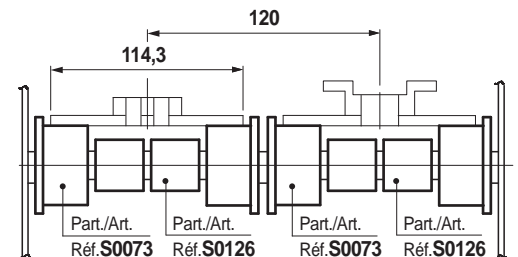
Chain width 114,3 mm (K 450)



Chain width 82,5 mm (K 325) / Pitch 88 mm



Chain width 114,3 mm (K 450) / Pitch 120 mm



Best Seller

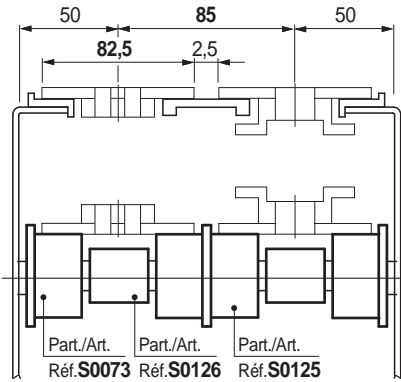
Standard

On request: minimum quantity may apply. Consult our Customer Service for availability.

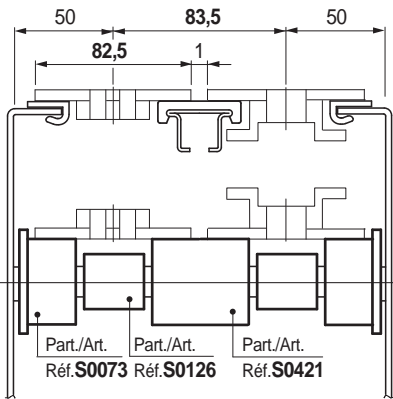
Item code for order = Part. + Code

# Rollers for Chain Return

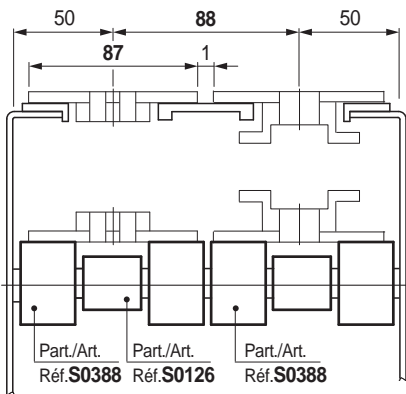
Chain width 82,5 mm (K 325) / Pitch 85 mm



Chain width 82,5 mm (K 325) / Pitch 83,5 mm

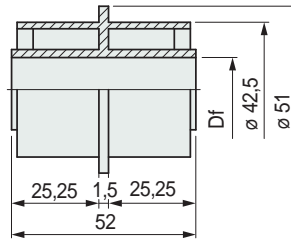


Chain width 87 mm (K 343) / Pitch 88 mm



Multi strand conveyors, with 82,5 mm width chains and pitch 88 mm, can be modified to convey PET bottles with pethal bottom or other unstable products. Change chains from 82,5 mm to 87 mm width and wear strips, in this way the Gap between chains is reduced from 5,5 mm to 1 mm while the conveyor frame is unchanged.

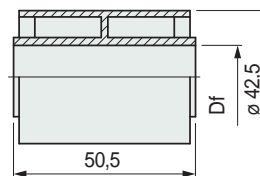
## Double roller L52



| Shaft dia.<br>mm | Bore dia.<br>Df<br>mm | Code  |
|------------------|-----------------------|-------|
| 12               | 12,5                  | 63898 |
| 16               | 16,5                  | 63908 |
| 18               | 18,5                  | 63918 |
| 20               | 20,5                  | 68873 |

- Material: polyethylene PE (black).
- Packaging: 100 pieces.

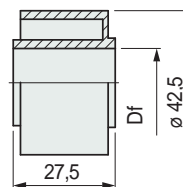
## Roller



| Shaft dia.<br>mm | Bore dia.<br>Df<br>mm | Code  |
|------------------|-----------------------|-------|
| 12               | 12,5                  | 63858 |
| 16               | 16,5                  | 63868 |
| 18               | 18,5                  | 63878 |
| 20               | 20,5                  | 63888 |

- Material: polyethylene PE (black).
- Packaging: 100 pieces.

## Roller



| Shaft dia.<br>mm | Bore dia.<br>Df<br>mm | Code  |
|------------------|-----------------------|-------|
| 12               | 12,5                  | 66116 |
| 16               | 16,5                  | 66126 |
| 18               | 18,5                  | 66136 |
| 20               | 20,5                  | 66146 |

- Material: polyethylene PE (black).
- Packaging: 100 pieces.

## Part. S0125



Dia. 42,5 mm

## Part. S0421



Dia. 42,5 mm

## Part. S0388



Dia. 42,5 mm

● Best Seller

● Standard

● On request: minimum quantity may apply. Consult our Customer Service for availability.

Item code for order = Part. + Code

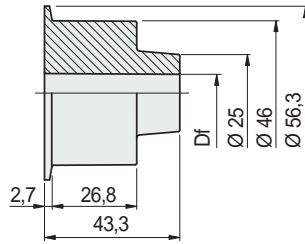


Part. **S0727**



**Dia. 46 mm**

■ Roller



| Shaft dia.<br>mm | Bore dia.<br>Df<br>mm | Code   |
|------------------|-----------------------|--------|
| 12               | 12,2                  | 688902 |

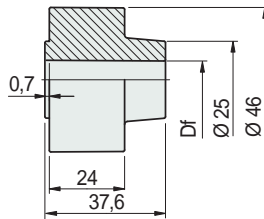
- Material: polyethylene PE (white).
- Packaging: 100 pieces.

Part. **S0728**



**Dia. 46 mm**

■ Roller



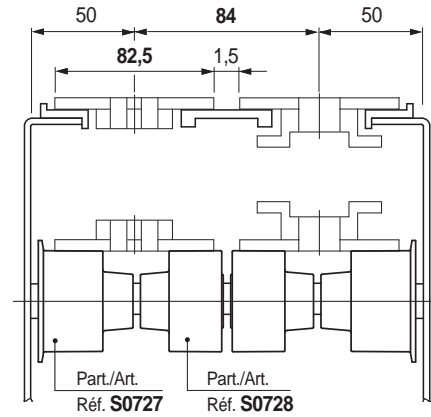
| Shaft dia.<br>mm | Bore dia.<br>Df<br>mm | Code   |
|------------------|-----------------------|--------|
| 12               | 12,2                  | 688912 |

- Material: polyethylene PE (white).
- Packaging: 100 pieces.

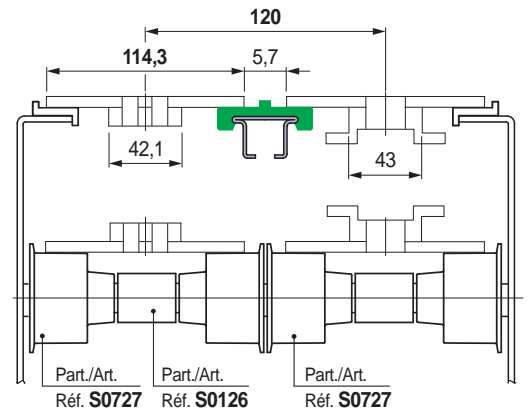
• **Characteristics**

- Completely closed design for the maximum hygiene.
- Material polyethylene PE (white) ideal for applications in the food industry.

Chain width 82,5 mm (K325) / Pitch 84 mm



Chain width 114,3 mm (K450) / Pitch 120 mm



● **Best Seller**

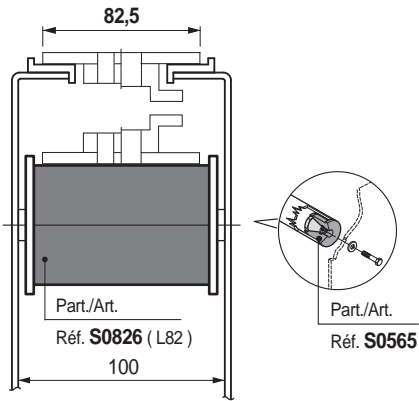
● **Standard**

● **On request:** minimum quantity may apply. Consult our Customer Service for availability.

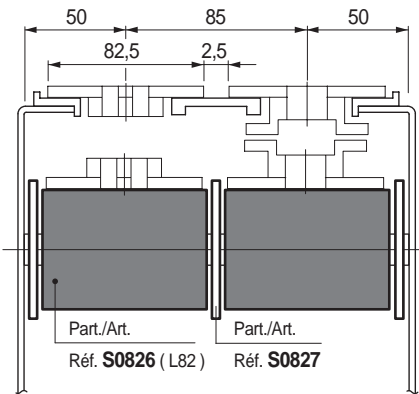
Item code for order = Part. + Code

# Rollers for Chain Return

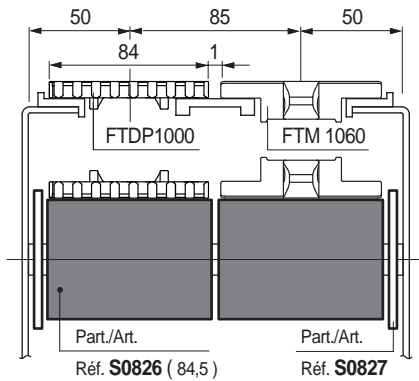
Chain width 82,5 mm (K325)



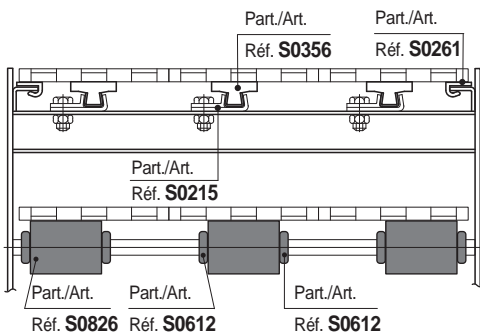
Chain width 82,5 mm (K325) / Pitch 85 mm



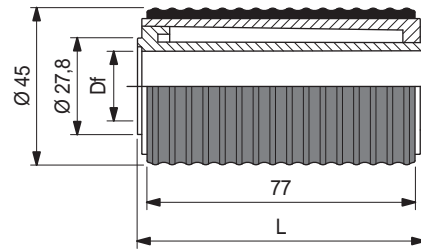
Chain width 84 mm pitch 85 mm



## MatTop® modular chains



## Double roller (with rubber surface)



| Shaft dia.<br>mm | Bore dia.<br>Df<br>mm | Code   |        |
|------------------|-----------------------|--------|--------|
|                  |                       | L = 82 | L = 86 |
| 16               | 16,5                  | 632063 | 632083 |
| 18               | 18,5                  | 636643 | 636653 |
| 20               | 20,5                  | 632073 | 632093 |

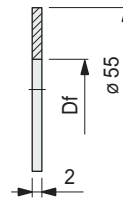
- Characteristics: completely closed design. Rubber surface for less noise even in high speed conveyors. Hub in acetal for low friction.
- Material: roller in polyethylene PE (white). Surface in thermoplastic rubber (grey). 70 shore hardness.
- Packaging: 100 pieces.

Part. **S0826**



Dia. 45 mm

## Guide flange



| Shaft dia.<br>mm | inch | Bore dia.<br>Df<br>mm | Code   |
|------------------|------|-----------------------|--------|
|                  |      |                       | 16     |
| 20               | 3/4  | 20,2                  | 632113 |

- Material: polyethylene PE (black).
- Packaging: 100 pieces.

Part. **S0827**



- Best Seller
- Standard
- On request: minimum quantity may apply. Consult our Customer Service for availability.

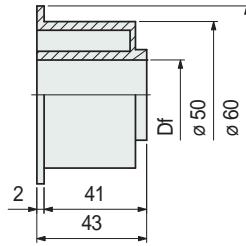
Item code for order = Part. + Code

Part. S0561



Dia. 50 mm

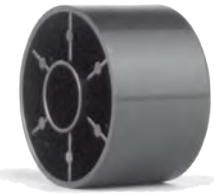
Roller



| Shaft dia.<br>mm | Bore dia.<br>Df<br>mm | Code   |
|------------------|-----------------------|--------|
| 15               | 15,5                  | 697561 |

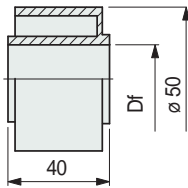
- Material: Polyethylene PE (black).
- Packaging: 100 pieces.

Part. S0560



Dia. 50 mm

Roller

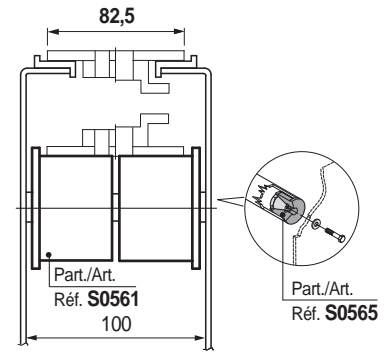


| Shaft dia.<br>mm | Bore dia.<br>Df<br>mm | Code   |
|------------------|-----------------------|--------|
| 15               | 15,5                  | 697551 |

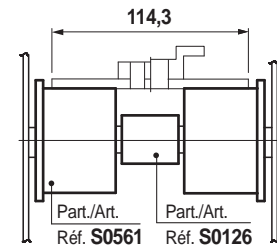
- Material: Polyethylene PE (black).
- Packaging: 100 pieces.

TableTop® chains / PlateTop chains

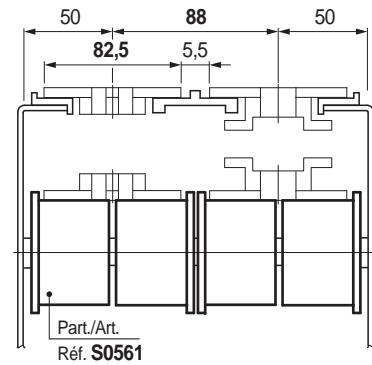
Chain width 82,5 mm (K 325)



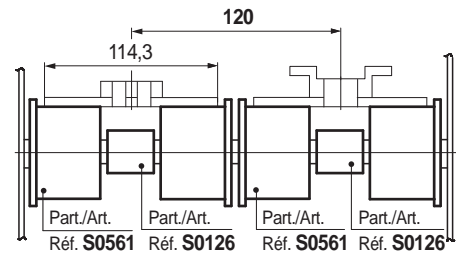
Chain width 114,3 mm (K 450)



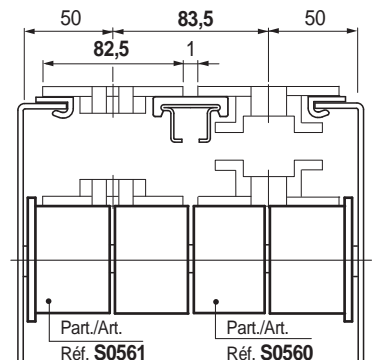
Chain width 82,5 mm (K 325) / Pitch 88 mm



Chain width 114,3 mm (K450) / Pitch 120 mm



Chain width 82,5 mm (K 325) / Pitch 83,5 mm



Best Seller

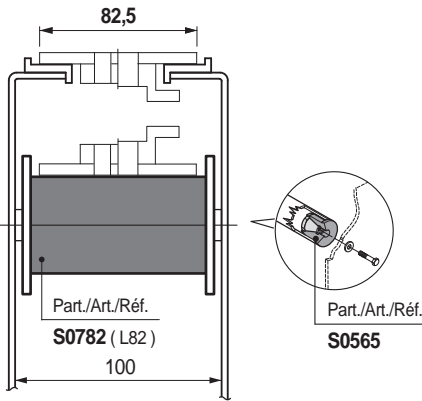
Standard

On request: minimum quantity may apply. Consult our Customer Service for availability.

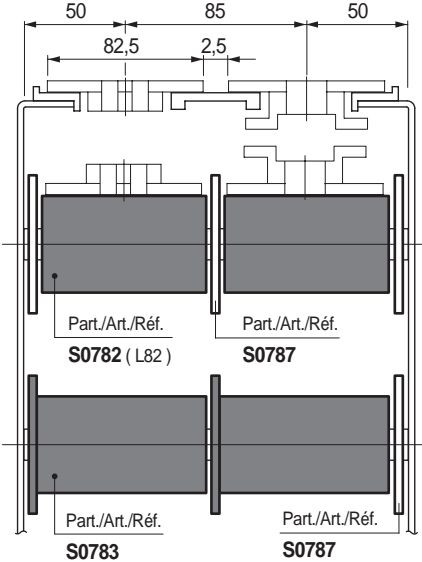
Item code for order = Part. + Code

# Rollers for Chain Return

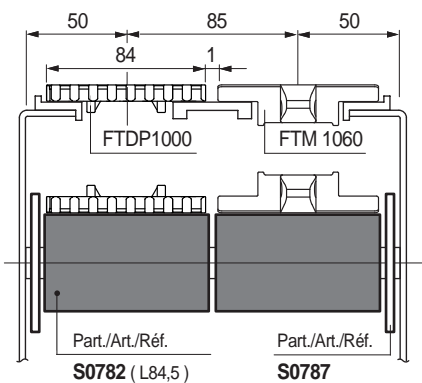
Chain width 82,5 mm (K325)



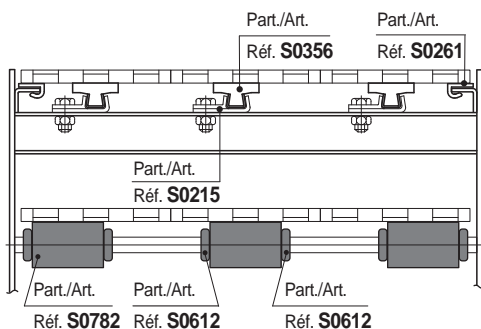
Chain width 82,5 mm (K325) / Pitch 85 mm



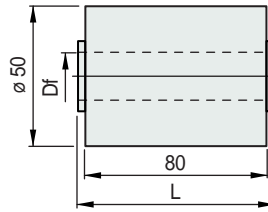
Chain width 84 mm pitch 85 mm



MatTop® modular chains



## Double roller



| shaft dia.<br>mm | inch | Bore dia.<br>Df<br>mm | Code   |          |
|------------------|------|-----------------------|--------|----------|
|                  |      |                       | L = 82 | L = 84,5 |

### Version UNL™

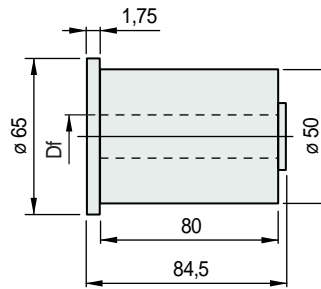
|           |            |      |               |               |
|-----------|------------|------|---------------|---------------|
| <b>18</b> | -          | 18,5 | <b>613953</b> | <b>613983</b> |
| <b>20</b> | <b>3/4</b> | 20,5 | <b>613963</b> | <b>613993</b> |

### Version PE (Black)

|           |            |      |               |               |
|-----------|------------|------|---------------|---------------|
| <b>18</b> | -          | 18,5 | <b>620603</b> | <b>620623</b> |
| <b>20</b> | <b>3/4</b> | 20,5 | <b>620613</b> | <b>620633</b> |

- Characteristics: completely closed design.
- Version in UNL™ low noise material.
- Colour: UNL™ (aubergine), polyethylene PE (black).
- Packaging: 100 pieces.

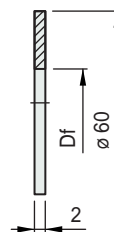
## Double roller with flange



| Material        | shaft dia. |            | Bore dia.<br>Df<br>mm | Code          |
|-----------------|------------|------------|-----------------------|---------------|
|                 | mm         | inch       |                       |               |
| UNL™            | <b>18</b>  | -          | 18,5                  | <b>614013</b> |
|                 | <b>20</b>  | <b>3/4</b> | 20,5                  | <b>614023</b> |
| Polyethylene PE | <b>18</b>  | -          | 18,5                  | <b>620643</b> |
|                 | <b>20</b>  | <b>3/4</b> | 20,5                  | <b>620653</b> |

- Characteristics: completely closed design.
- Version in UNL™ low noise material.
- Colour: UNL™ (aubergine), polyethylene PE (black).
- Packaging: 100 pieces.

## Guide flange



| Material                       | shaft dia. |            | Bore dia.<br>Df<br>mm | Code          |
|--------------------------------|------------|------------|-----------------------|---------------|
|                                | mm         | inch       |                       |               |
| Polyethylene PE<br>(aubergine) | <b>18</b>  | -          | 18,2                  | <b>614713</b> |
|                                | <b>20</b>  | <b>3/4</b> | 20,2                  | <b>614723</b> |
| Polyethylene PE<br>(black)     | <b>18</b>  | -          | 18,2                  | <b>620663</b> |
|                                | <b>20</b>  | <b>3/4</b> | 20,2                  | <b>620673</b> |

- Assembly: to be applied to roller Part. S0782.
- Packaging: 100 pieces.

Part. **S0782**



Dia. 50 mm

Part. **S0783**



Dia. 50 mm

Part. **S0787**



For Part. **S0782**

● Best Seller

● Standard

● On request: minimum quantity may apply. Consult our Customer Service for availability.

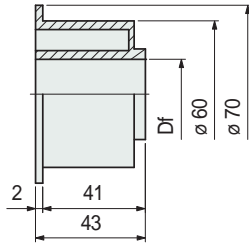
Item code for order = Part. + Code

Part. S0556



Dia. 60 mm

Roller



| Shaft dia. mm | Bore dia. Df mm | Code   |
|---------------|-----------------|--------|
| 15            | 15,5            | 695221 |
| 16            | 16,5            | 695231 |
| 18            | 18,5            | 695241 |
| 20            | 20,5            | 695251 |

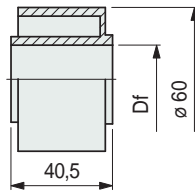
- Material: polyethylene PE (black).
- Packaging: 100 pieces.

Part. S0554



Dia. 60 mm

Roller

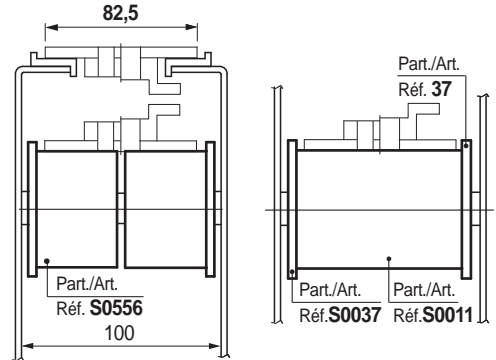


| Shaft dia. mm | Bore dia. Df mm | Code   |
|---------------|-----------------|--------|
| 15            | 15,5            | 695141 |
| 16            | 16,5            | 695151 |
| 18            | 18,5            | 695161 |
| 20            | 20,5            | 695171 |

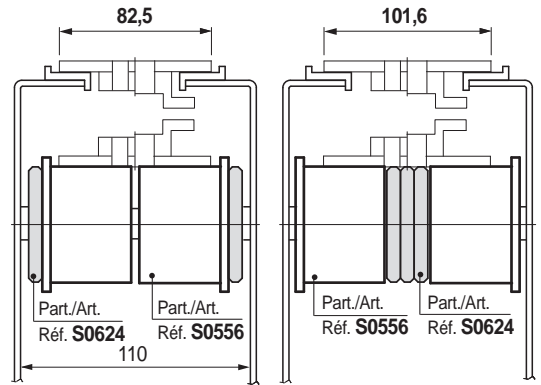
- Material: polyethylene PE (black).
- Packaging: 100 pieces.

TableTop® chains / PlateTop chains

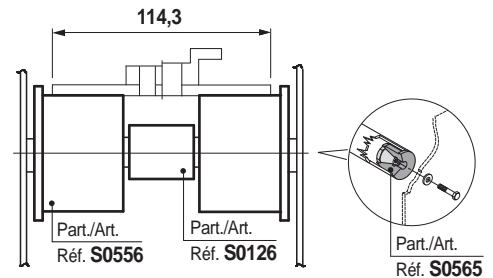
Chain width 82,5 mm (K 325)



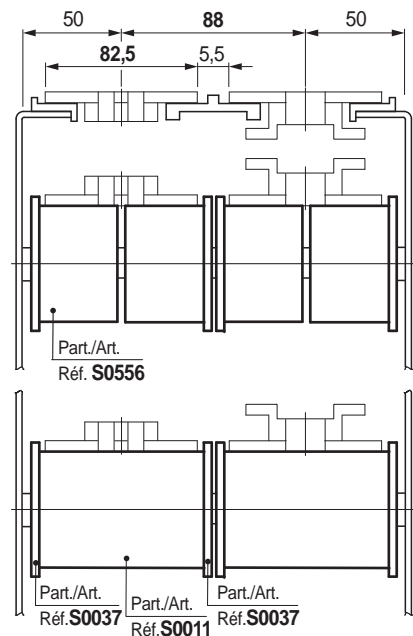
Chain width 82,5 mm (K325) - 101,6 mm (K400)



Chain width 114,3 mm (K 450)



Chain width 82,5 mm (K 325) / Pitch 88 mm



● Best Seller

● Standard

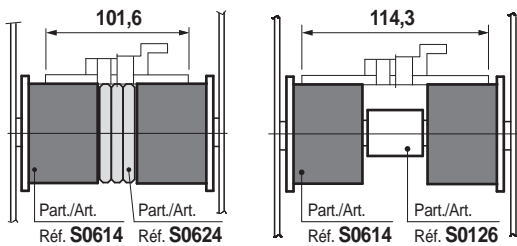
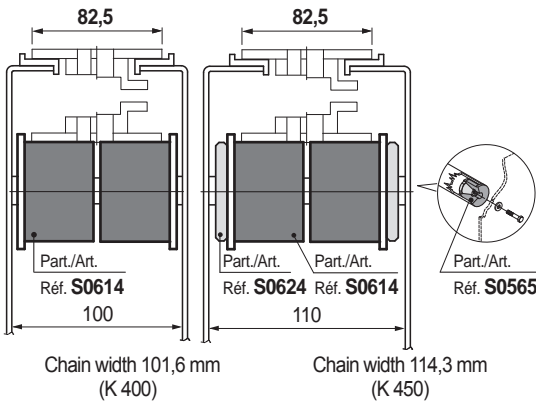
● On request: minimum quantity may apply. Consult our Customer Service for availability.

Item code for order = Part. + Code

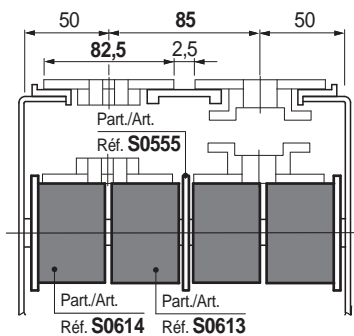
# Rollers for Chain Return

## • TableTop® chains / PlateTop chains

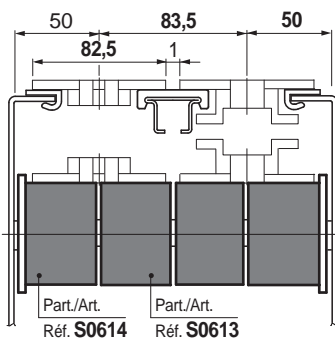
Chain width 82,5 mm (K 325)



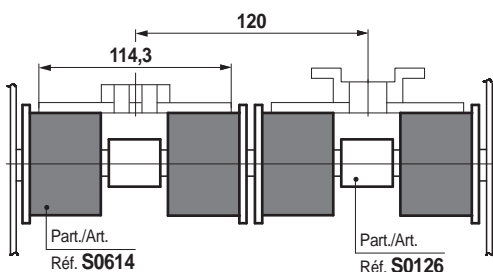
Chain width 82,5 mm (K 325) / Pitch 85 mm



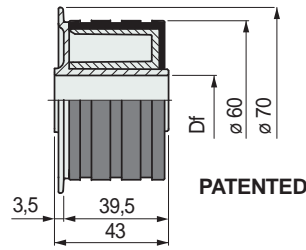
Chain width 82,5 mm (K 325) / Pitch 83,5 mm



Chain width 114,3 mm (K 450) / Pitch 120 mm



## ■ Roller (with rubber surface)



| Shaft dia. |      | Bore dia. |  | Code   |
|------------|------|-----------|--|--------|
| mm         | inch | Df mm     |  |        |
| 12,7       | 1/2  | 13,2      |  | 632482 |
| 15         | -    | 15,5      |  | 615382 |
| 16         | 5/8  | 16,5      |  | 615392 |
| 18         | -    | 18,5      |  | 615402 |
| 19,05      | 3/4  | 19,5      |  | 635152 |
| 20         | -    | 20,5      |  | 615412 |

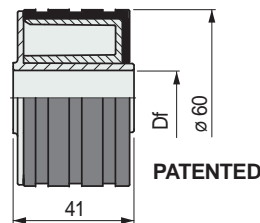
- Characteristics: completely closed design. Rubber surface for less noise even in high speed conveyors. Hub in acetal for low friction.
- Material: roller in acetal POM (white). Surface in thermoplastic rubber (grey). 70 shore hardness.
- Packaging: 100 pieces.

Part. S0614



Dia. 60 mm

## ■ Roller (with rubber surface)



| Shaft dia. |      | Bore dia. |  | Code   |
|------------|------|-----------|--|--------|
| mm         | inch | Df mm     |  |        |
| 12,7       | 1/2  | 13,2      |  | 632472 |
| 15         | -    | 15,5      |  | 615342 |
| 16         | 5/8  | 16,5      |  | 615352 |
| 18         | -    | 18,5      |  | 615362 |
| 19,05      | 3/4  | 19,5      |  | 635142 |
| 20         | -    | 20,5      |  | 615372 |

- Characteristics: completely closed design. Rubber surface for less noise even in high speed conveyors. Hub in acetal for low friction.
- Material: roller in acetal POM (white). Surface in thermoplastic rubber (grey). 70 shore hardness.
- Packaging: 100 pieces.

Part. S0613



Dia. 60 mm

● Best Seller

● Standard

● On request: minimum quantity may apply. Consult our Customer Service for availability.

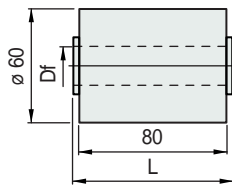
Item code for order = Part. + Code

Part. S0758



Dia. 60 mm

■ Double roller



| Shaft dia.                |      | Bore dia. |    | Code   |          |
|---------------------------|------|-----------|----|--------|----------|
| mm                        | inch | mm        | Df | L = 82 | L = 84,5 |
| <b>Version UNL™</b>       |      |           |    |        |          |
| 15                        | -    | 15,5      |    | 608533 | 608553   |
| 18                        | -    | 18,5      |    | 608183 | 608563   |
| 19,05                     | 3/4  | 19,5      |    | 612913 | 613563   |
| 20                        | -    | 20,5      |    | 608543 | 608573   |
| <b>Version PE (Black)</b> |      |           |    |        |          |
| 14                        | -    | 14,5      |    | 634033 | 634053   |
| 15                        | -    | 15,5      |    | 620683 | 620723   |
| 16                        | -    | 16,5      |    | 634043 | 634063   |
| 18                        | -    | 18,5      |    | 620693 | 620733   |
| 19,05                     | 3/4  | 19,5      |    | 620703 | 620743   |
| 20                        | -    | 20,5      |    | 620713 | 620343   |

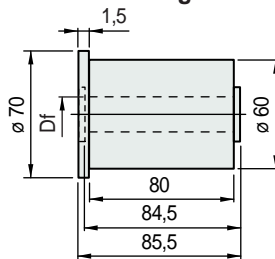
- Characteristics: completely closed design.
- Version in UNL™ low noise material.
- Colour: UNL™ (aubergine), polyethylene PE (black).
- Packaging: 100 pieces.

Part. S0778



Dia. 60 mm

■ Double roller with flange



| Material        | Shaft dia. |      | Bore dia. |    | Code   |
|-----------------|------------|------|-----------|----|--------|
|                 | mm         | inch | mm        | Df |        |
| UNL™            | 15         | -    | 15,5      |    | 613483 |
|                 | 18         | -    | 18,5      |    | 613473 |
|                 | 19,05      | 3/4  | 19,5      |    | 613573 |
|                 | 20         | -    | 20,5      |    | 613463 |
| Polyethylene PE | 14         | -    | 14,5      |    | 634433 |
|                 | 15         | -    | 15,5      |    | 620753 |
|                 | 16         | -    | 16,5      |    | 634443 |
|                 | 18         | -    | 18,5      |    | 620763 |
|                 | 19,05      | 3/4  | 19,5      |    | 620773 |
|                 | 20         | -    | 20,5      |    | 620373 |

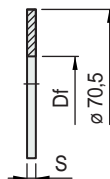
- Characteristics: completely closed design.
- Version in UNL™ low noise material.
- Colour: UNL™ (aubergine), polyethylene PE (black).
- Packaging: 100 pieces.

Part. S0555

For Part. S0554  
Part. S0613  
Part. S0758



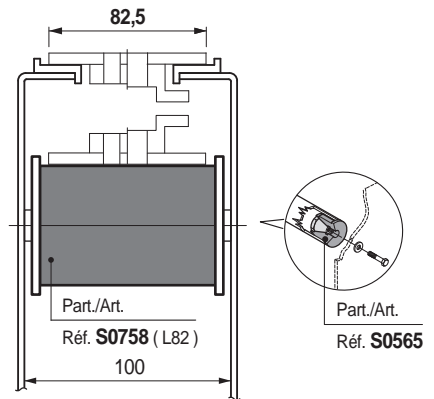
■ Guide flange



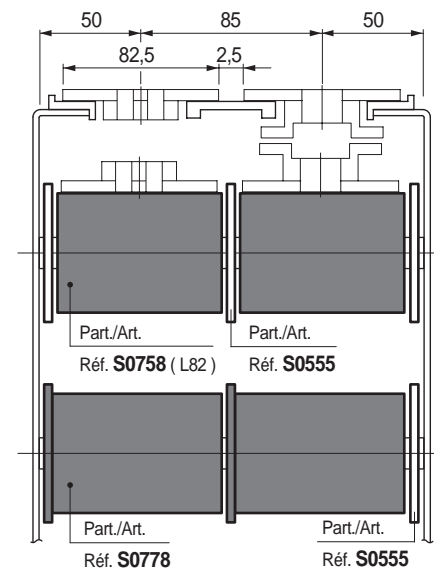
| Shaft dia. |      | Bore dia. |    | Code   |        |
|------------|------|-----------|----|--------|--------|
| mm         | inch | mm        | Df | S = 2  | S = 1  |
| 15         | -    | 15,2      |    | 695181 | -      |
| 16         | -    | 16,2      |    | 695191 | -      |
| 18         | -    | 18,2      |    | 695201 | 630693 |
| 20         | 3/4  | 20,2      |    | 695211 | 630703 |

- Material: Polyethylene PE (black).
- Packaging: 100 pieces.

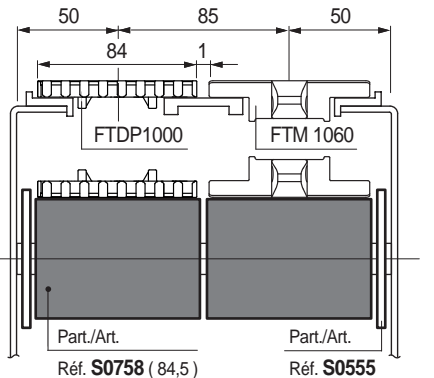
Chain width 82,5 mm (K 325)



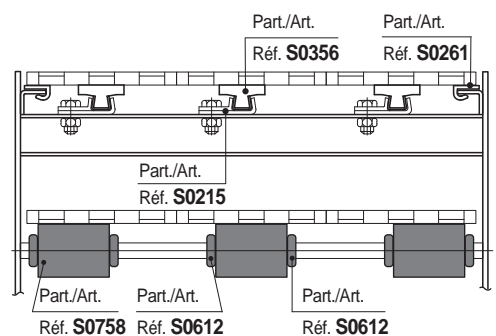
Chain width 82,5 mm (K 325) / Pitch 85 mm



Chain width 84 mm (K 325) / Pitch 85 mm



MatTop® modular chains



● Best Seller

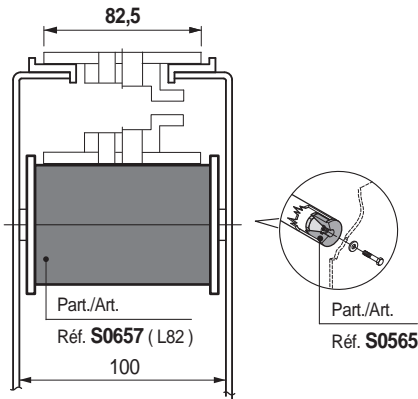
● Standard

● On request: minimum quantity may apply. Consult our Customer Service for availability.

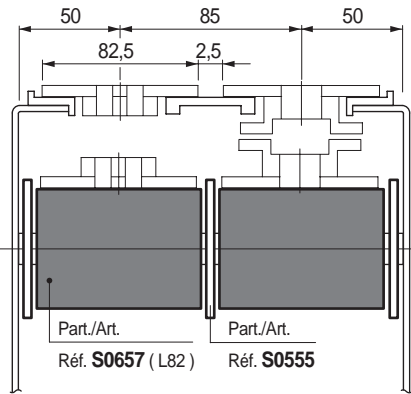
Item code for order = Part. + Code

# Rollers for Chain Return

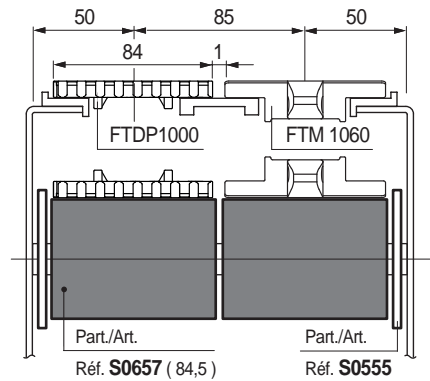
Chain width 82,5 mm (K 325)



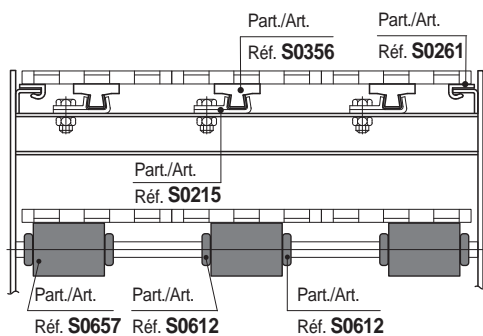
Chain width 82,5 mm (K 325) / Pitch 85 mm



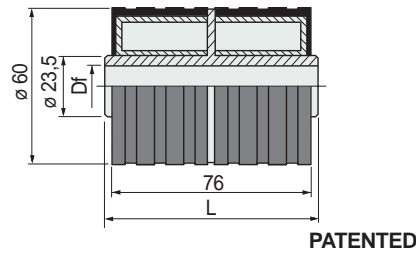
Chain width 84 mm (K 325) / Pitch 85 mm



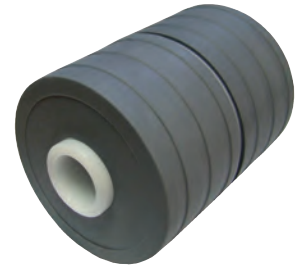
MatTop® modular chains



## Double roller (with rubber surface)



Part. S0657

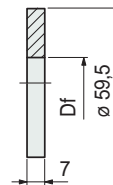


Dia. 60 mm

| Shaft dia.<br>mm | inch | Bore dia.<br>Df<br>mm | Code   |          |
|------------------|------|-----------------------|--------|----------|
|                  |      |                       | L = 82 | L = 84,5 |
| 12,7             | 1/2  | 13,2                  | 656982 | -        |
| 15               | -    | 15,5                  | 656992 | 608253   |
| 16               | 5/8  | 16,5                  | 657002 | 608263   |
| 18               | -    | 18,5                  | 657012 | 608273   |
| 19,05            | 3/4  | 19,5                  | 656692 | -        |
| 20               | -    | 20,5                  | 657022 | 608283   |

- Characteristics: completely closed design. Rubber surface for less noise even in high speed conveyors. Hub in acetal for low friction.
- Material: roller in acetal POM (white). Surface in thermoplastic rubber (grey). 70 shore hardness
- Packaging: 100 pieces.

## Separator



Part. S0624



| Shaft dia.<br>mm | Bore dia.<br>Df<br>mm | Code |
|------------------|-----------------------|------|
|                  |                       | 20   |

- Assembly: to be applied to rollers Part. S0556 - S0614.
- Material: Polyethylene PE (black).
- Packaging: 100 pieces.

- Best Seller
- Standard
- On request: minimum quantity may apply. Consult our Customer Service for availability.

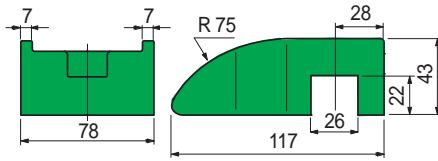
Item code for order = Part. + Code



Part. S0729



■ Chain return guide



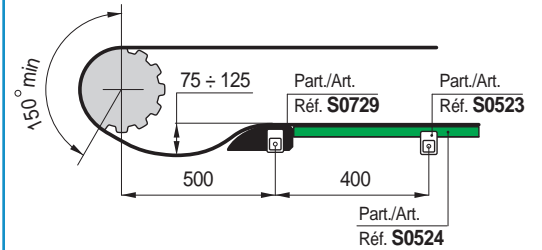
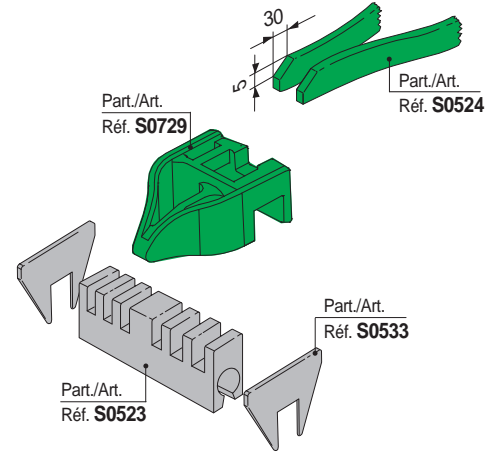
| Material                | Code   | Weight kg |
|-------------------------|--------|-----------|
| Polyamide PA (black)    | 689642 | 0,10      |
| Polyethylene PE (green) | 697662 |           |

- New design offers less and more uniform wear of chains and better cleanability.
- PE polyethylene (green) version is recommended with plastic chains and metal chains.
- PA polyamide (black) version is recommended only with metal chains.
- Packaging: 50 pieces.

• Assembly Part. S0729

Assembly: press-fit. Interference fixed.

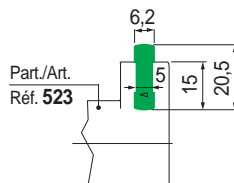
For assembly schemes see page S60 - S61.



Part. S0524

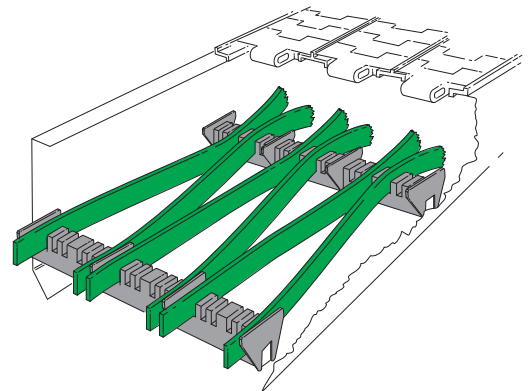


■ Sliding profile



| Material                          | Code   |
|-----------------------------------|--------|
| Polyethylene PE (green) 1.000.000 | 643501 |

- Assembly: Applicable to spacers Part. S0523. Snap-on assembly.
- Standard packaging: coil.
- Packaging: 70 metres.



● Best Seller

● Standard

● On request: minimum quantity may apply. Consult our Customer Service for availability.

Item code for order = Part. + Code

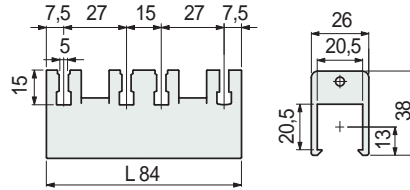
# Serpentine Guides for Chain Return

Part. S0523

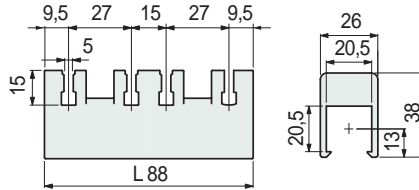


■ **Spacer for square profiles**

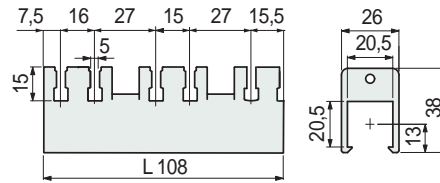
Version width L 84 mm



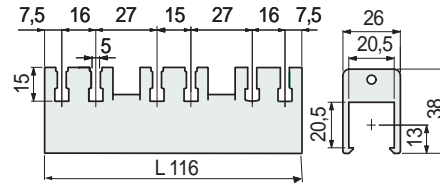
Version width L 88 mm



Version width L 108 mm

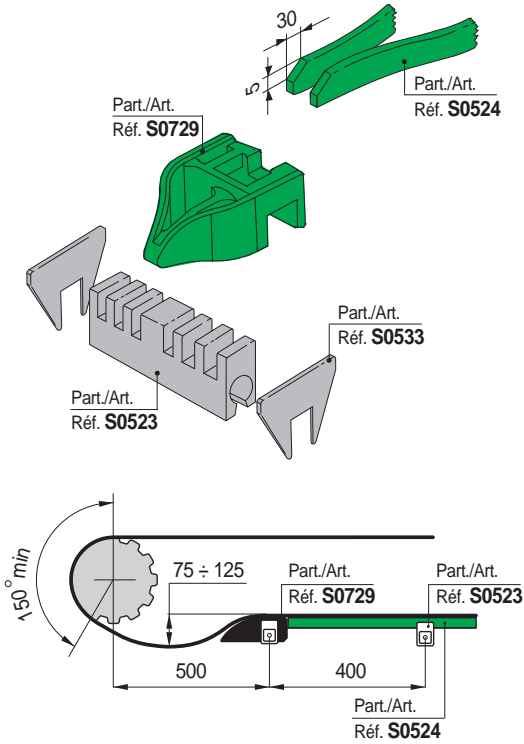


Version width L 116 mm

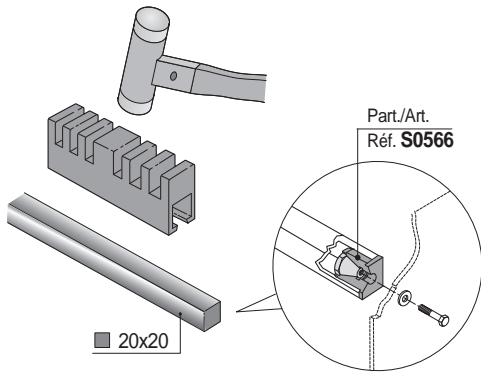


| square shaft mm | Width L mm | Code   | Weight Kg |
|-----------------|------------|--------|-----------|
| 20 x 20         | L 84       | 643451 | 0,03      |
|                 | L 88       | 698472 | 0,05      |
|                 | L 108      | 698462 | 0,05      |
|                 | L 116      | 692122 | 0,05      |

- Material: Polyamide PA (black).
- Packaging: 100 pieces



- **Assembly Part. S0523**  
Snap-on assembly on square.  
For assembly schemes see page S60 - S61.



- **Best Seller**
- **Standard**
- **On request:** minimum quantity may apply. Consult our Customer Service for availability.

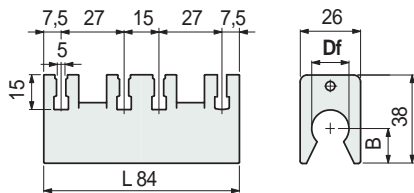
Item code for order = Part. + Code

Part. S0523

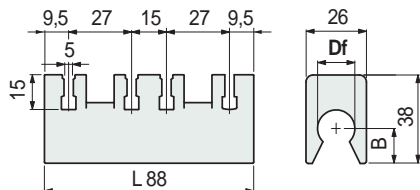


■ Spacer for round profile

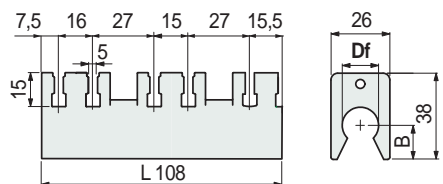
Version width L 84 mm



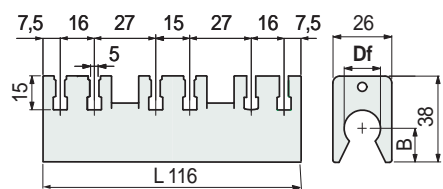
Version width L 88 mm



Version width L 108 mm

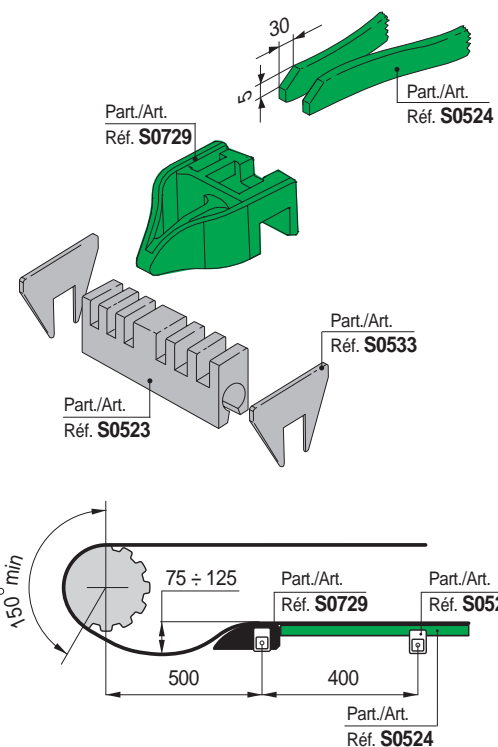


Version width L 116 mm

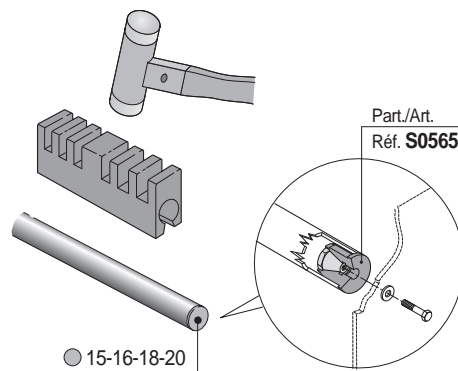


| Width<br>L<br>mm | Bore dia.<br>Df |      | Code   | B<br>mm | Weight<br>Kg |
|------------------|-----------------|------|--------|---------|--------------|
|                  | mm              | inch |        |         |              |
| L 84             | 15              | -    | 643461 | 15,5    | 0,04         |
|                  | 16              | -    | 643471 | 15      |              |
|                  | 18              | -    | 643481 | 14      |              |
|                  | 20              | -    | 643491 | 13      |              |
| L 88             | -               | 3/4" | 692112 | 13      | 0,05         |
|                  | 20              | -    | 698442 | 13      |              |
|                  | -               | 3/4" | 698452 | 13      |              |
| L 108            | 20              | -    | 698422 | 13      | 0,05         |
|                  | -               | 3/4" | 698432 | 13      |              |
| L 116            | 15              | -    | 614683 | 15,5    | 0,05         |
|                  | 20              | -    | 692132 | 13      |              |
|                  | -               | 3/4" | 692142 | 13      |              |

- Material: Polyamide PA (black).  
- Packaging: 100 pieces.



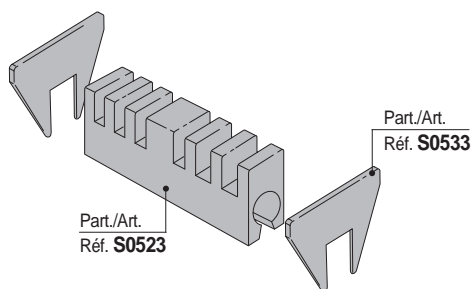
• **Assembly Part. S0523**  
Snap-on assembly on round steel profiles.  
For assembly schemes see page S60 - S61.



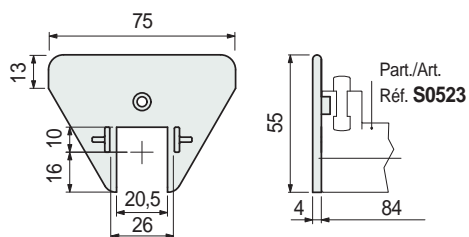
- **Best Seller**
- **Standard**
- **On request:** minimum quantity may apply. Consult our Customer Service for availability.

Item code for order = Part. + Code

# Serpentine Guides for Chain Return for Part. S0523



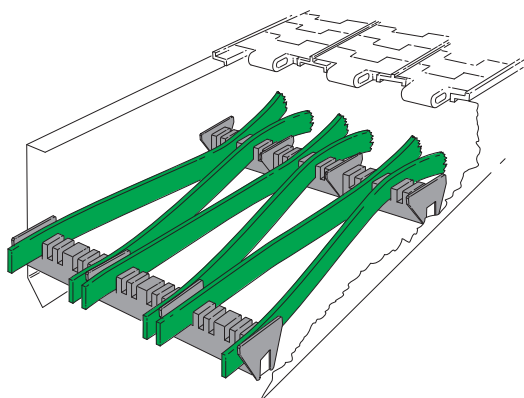
## ■ Striker



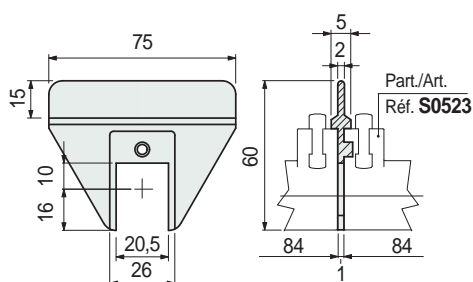
| Code   | Weight<br>kg |
|--------|--------------|
| 672801 | 0,01         |

- Assembly: Applicable to spacers Part. S0523. Snap-on assembly.
- Material: polyamide PA (black).
- Packaging: 100 pieces.

Part. S0533



## ■ Striker (centre)



| Code   | Weight<br>kg |
|--------|--------------|
| 672811 | 0,01         |

- Assembly: Applicable to spacers Part. S0523. Snap-on assembly.
- Material: polyamide PA (black).
- Packaging: 100 pieces.

Part. S0533



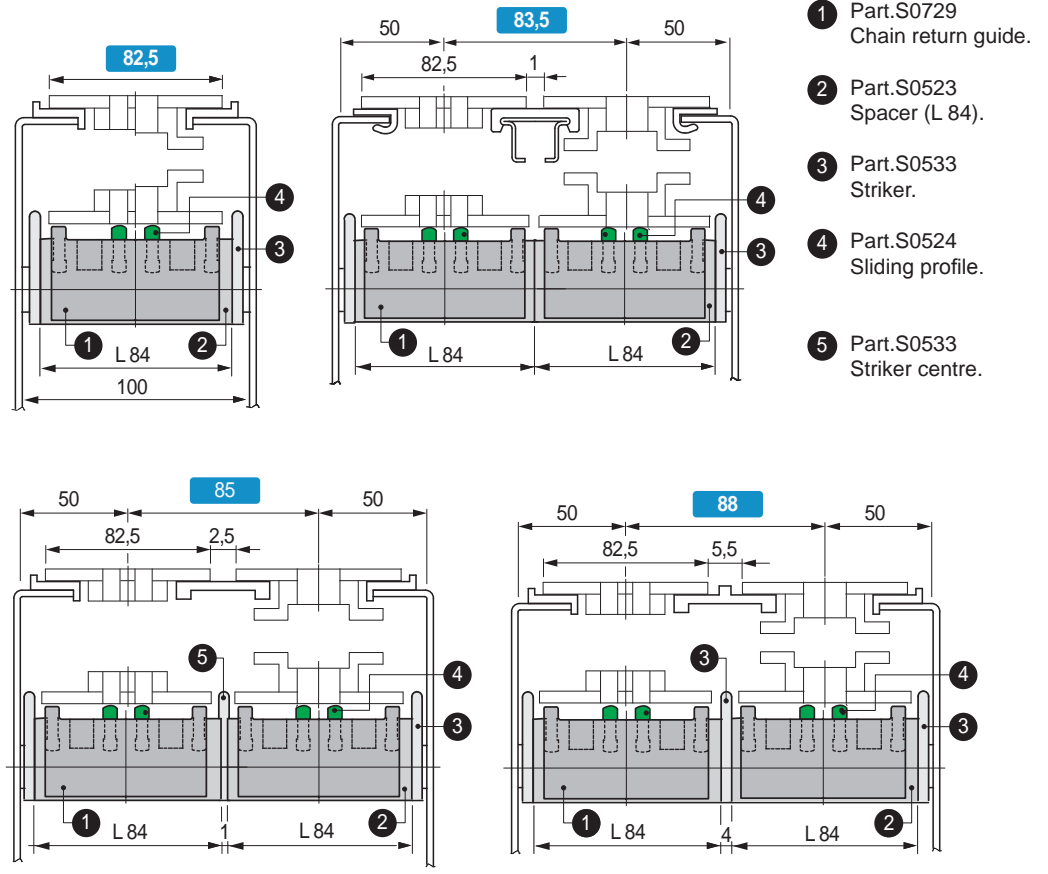
- Best Seller
- Standard
- On request: minimum quantity may apply. Consult our Customer Service for availability.

Item code for order = Part. + Code

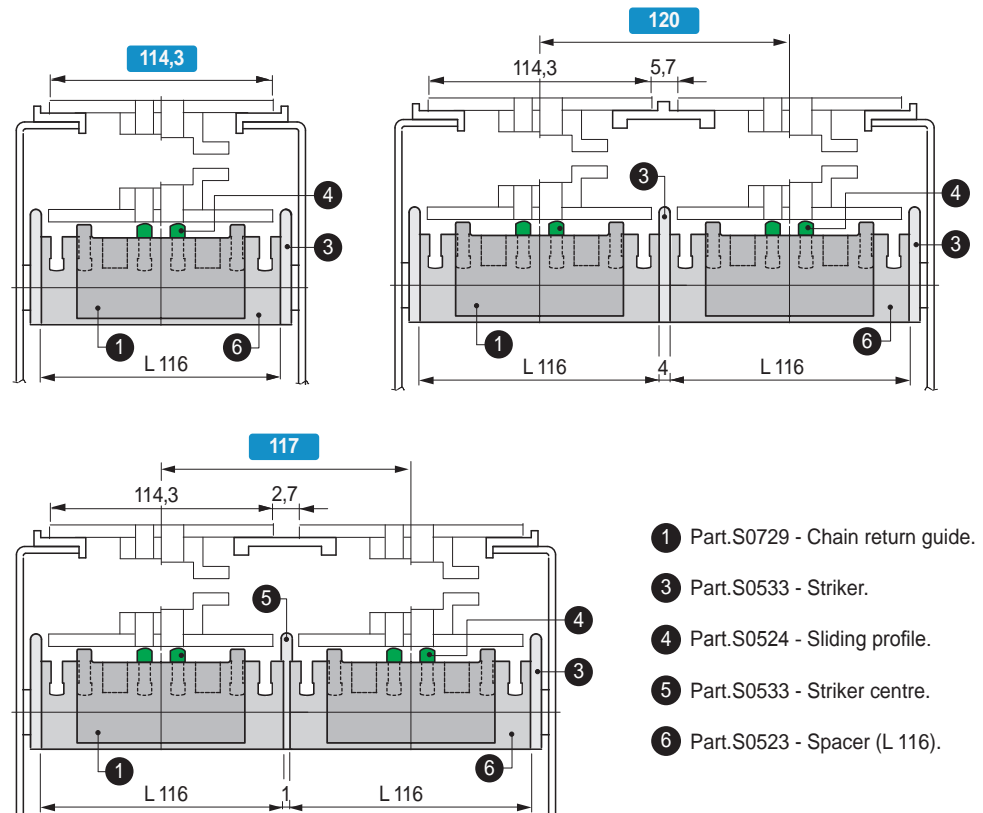
Assembly schemes for

Part: S0729  
S0523  
S0533  
S0524

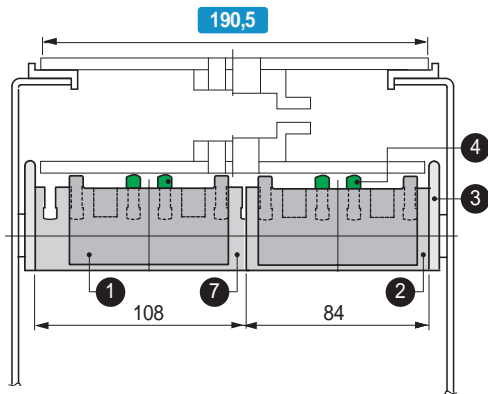
• Chain width 82,5 mm (K325)



• Chain width 114,3 mm (K450)



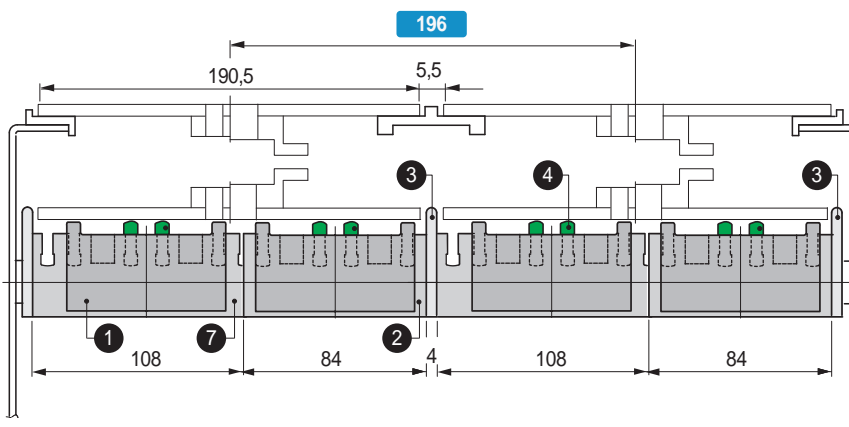
• Chain width 190,5 mm (K 750)



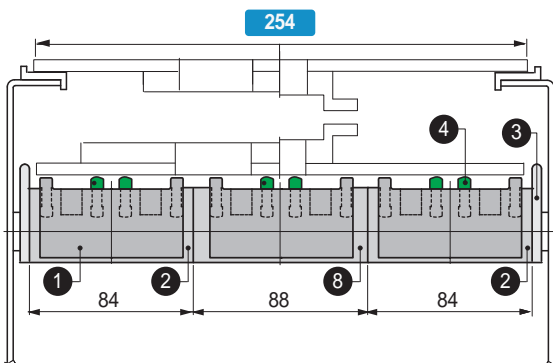
- 1 Part.S0729 - Chain return guide.
- 2 Part.S0523 - Spacer (L 84).
- 3 Part.S0533 - Striker.
- 4 Part.S0524 - Sliding profile.
- 7 Part.S0523 - Spacer (L 108).

**Assembly schemes for**

- Part:** S0729  
S0523  
S0533  
S0524

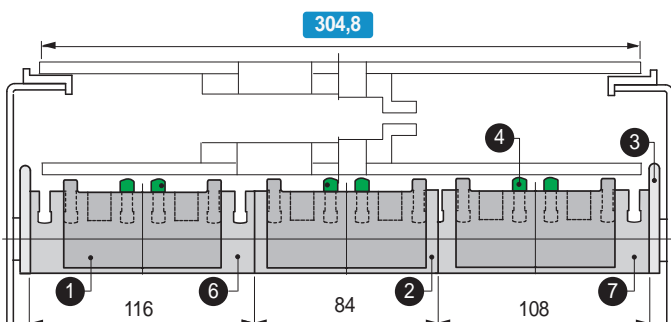


• Chain width 254 mm (K 1000)



- 1 Part.S0729 - Chain return guide.
- 2 Part.S0523 - Spacer (L 84).
- 3 Part.S0533 - Striker.
- 4 Part.S0524 - Sliding profile.
- 8 Part.S0523 - Spacer (L 88).

• Chain width 304,8 mm (K 1200)

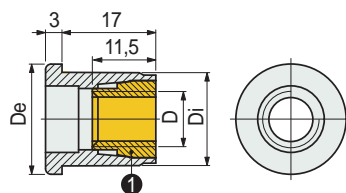


- 1 Part.S0729 - Chain return guide.
- 2 Part.S0523 - Spacer (L 84).
- 3 Part.S0533 - Striker.
- 4 Part.S0524 - Sliding profile.
- 6 Part.S0523 - Spacer (L 116).
- 7 Part.S0523 - Spacer (L 108).

Part. S0565



Expansion plugs



Tube dimensions      ① Expansion cone

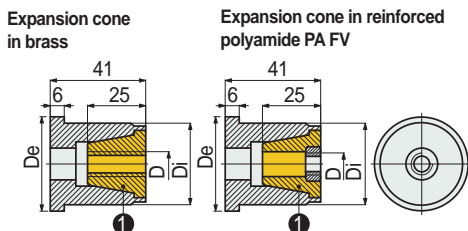
| Outside mm | Thickness mm | Inside mm | Thread D | De mm | Di mm | Code   |
|------------|--------------|-----------|----------|-------|-------|--------|
| Ø 18       | 1,5          | 15        | M8       | 18    | 15    | 698661 |
|            | 2            | 14        | M6       | 18    | 14    | 698671 |
| Ø 20       | 1,5          | 17        | M8       | 20    | 17    | 698681 |
|            |              |           | M10      | 20    | 17    | 698691 |

- Material: plug in polyamide PA (black), expansion cone in brass.
- Standard packaging: expansion cone is supplied separated from the plug.
- Weight: 0,01Kg.
- Packaging: 100 pieces.
- Max recommended tightening torque: 1 Kgm.

Part. S0179



Expansion plugs

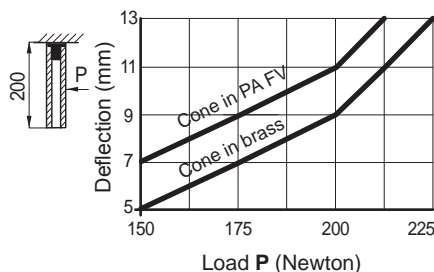


Tube dimensions      ① Expansion cone

| Outside mm | Thickness mm | Inside mm | Thread D | De mm | Di mm | Code  |
|------------|--------------|-----------|----------|-------|-------|-------|
| Ø 38       | 1,5          | 35        | M8       | 40    | 34,8  | 69513 |
|            |              |           | M10      | 40    | 34,8  | 69523 |
| Ø 42,4     | 1,5          | 39,4      | M8       | 44,5  | 39,2  | 69533 |
|            |              |           | M10      | 44,5  | 39,2  | 69543 |
| Ø 38       | 1,5          | 35        | M8       | 20    | 34,8  | 54881 |
|            |              |           | M10      | 20    | 34,8  | 52641 |
| Ø 42,4     | 1,5          | 39,4      | M8       | 20    | 39,2  | 54891 |
|            |              |           | M10      | 20    | 39,2  | 52651 |

- Material: plug in reinforced polyamide PA FV (black), expansion cone in brass or in reinforced polyamide PA FV.
- Weight: 0,10 Kg.
- Packaging: 50 pieces.
- Max recommended tightening torque: 2,5 Kgm (for M8), 4 Kgm (for M10).

Deflection of Part. S0179



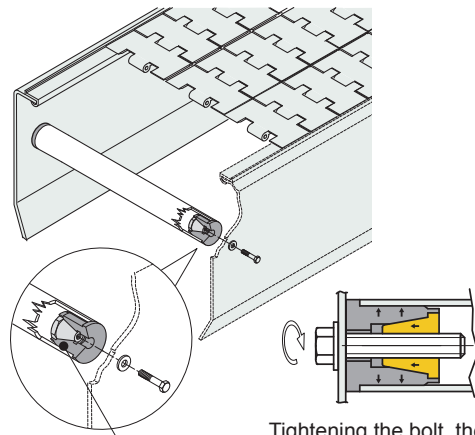
● Best Seller

● Standard

● On request: minimum quantity may apply. Consult our Customer Service for availability.

Item code for order = Part. + Code

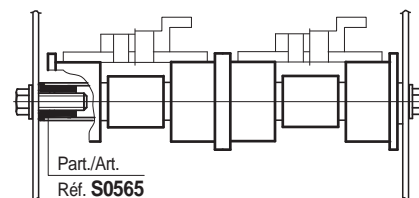
Assembly Part. S0565 - S0179



Part./Art. Réf. S0565 - S0179

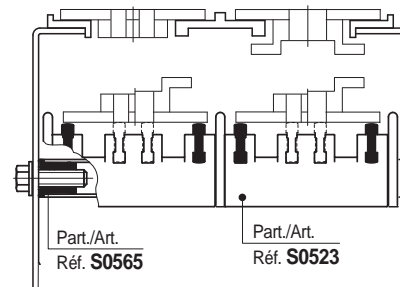
Tightening the bolt, the plug expands and stays firmly in the tube.

Application example of Part. S0565 for return chain rollers



Part./Art. Réf. S0565

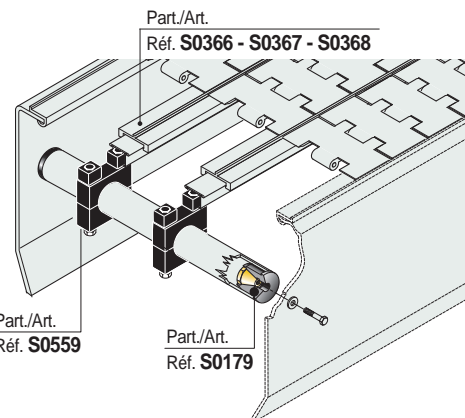
Application example of Part. S0565 for serpentine return



Part./Art. Réf. S0565

Part./Art. Réf. S0523

Application example of Part. S0179 for supporting chain guide profile Part. S0366 - S0367 - S0368

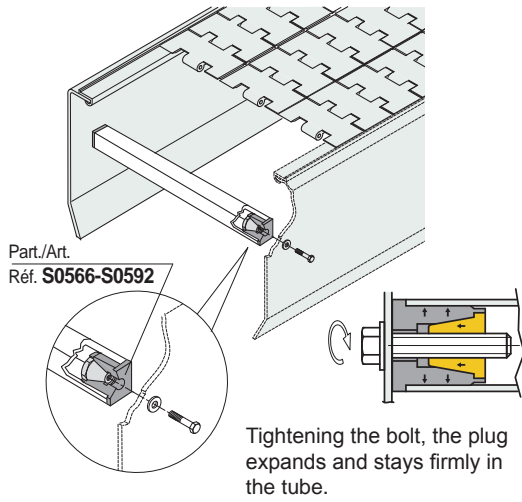


Part./Art. Réf. S0559

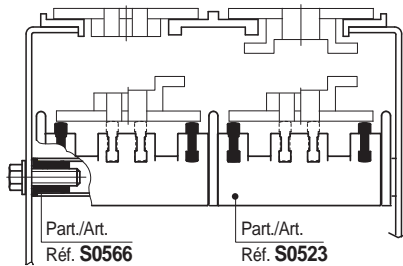
Part./Art. Réf. S0179

# Plugs for Connection

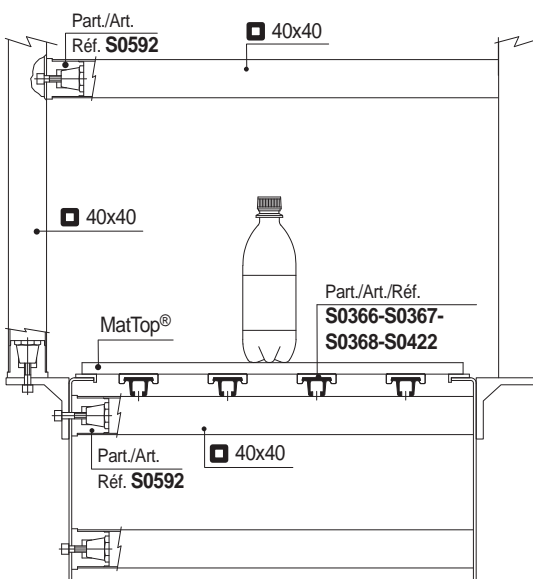
• **Assembly Part. S0566 - S0592**



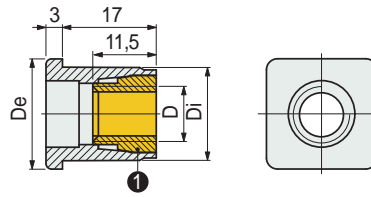
• **Application example of Part. S0566**  
for return chain rollers



• **Application example of Part. S0592**  
for modular chain conveyors to support profiles Part. S0366 - S0367 - S0368 - S0422



■ **Expansion plugs**



Tube dimensions

① Expansion cone

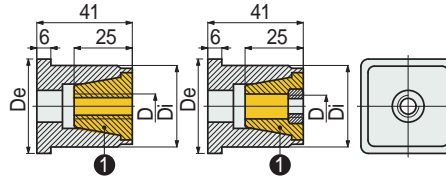
| Outside<br>mm | Thickness<br>mm | Inside<br>mm | Thread<br>D | De<br>mm | Di<br>mm | Code          |
|---------------|-----------------|--------------|-------------|----------|----------|---------------|
| ∅ 20          | 1,5             | 17           | M8          | 20       | 17       | <b>698701</b> |
|               |                 |              | M10         | 20       | 17       | <b>698711</b> |
|               | 2               | 16           | M8          | 20       | 16       | <b>698721</b> |

- Material: plug in polyamide PA (black), expansion cone in brass.
- Standard packaging: expansion cone is supplied separated from the plug.
- Weight: 0,01Kg.
- Packagin: 100 pieces.
- Max recommended tightening torque: 1 Kgm.

■ **Expansion plugs**

Expansion cone in brass

Expansion cone in reinforced polyamide PA FV



Tube dimensions

① Expansion cone

| Outside<br>mm | Thickness<br>mm | Inside<br>mm | Thread<br>D | De<br>mm | Di<br>mm | Code |
|---------------|-----------------|--------------|-------------|----------|----------|------|
|---------------|-----------------|--------------|-------------|----------|----------|------|

• **Expansion cone in brass**

|       |       |       |     |    |    |               |
|-------|-------|-------|-----|----|----|---------------|
| ∅ 40  | 1,5/2 | 37/36 | M8  | 42 | 36 | <b>609442</b> |
|       |       |       | M10 | 42 | 36 | <b>609462</b> |
| 2,5/3 | 35/34 |       | M8  | 42 | 34 | <b>609482</b> |
|       |       |       | M10 | 42 | 34 | <b>609502</b> |

• **Expansion cone in reinforced polyamide PA FV**

|       |       |       |     |    |    |               |
|-------|-------|-------|-----|----|----|---------------|
| ∅ 40  | 1,5/2 | 37/36 | M8  | 42 | 36 | <b>609452</b> |
|       |       |       | M10 | 42 | 36 | <b>609472</b> |
| 2,5/3 | 35/34 |       | M8  | 42 | 34 | <b>609492</b> |
|       |       |       | M10 | 42 | 34 | <b>609512</b> |

- Material: plug in reinforced polyamide PA FV (black), expansion cone in brass or in reinforced polyamide PA FV.
- Weight: 0,10 Kg.
- Packaging: 50 pieces.
- Max recommended tightening torque: 2,5 Kgm (for M8), 4 Kgm (for M10).

Part. **S0566**



for round tubes ∅ 20 mm

Part. **S0592**



for round tubes ∅ 40 mm

● **Best Seller**

● **Standard**

● **On request:** minimum quantity may apply. Consult our Customer Service for availability.

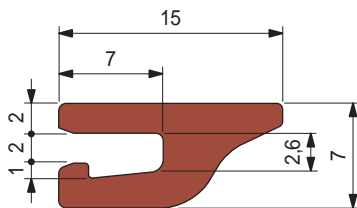
Item code for order = Part. + Code



Part. S0834



■ Neck transport guides



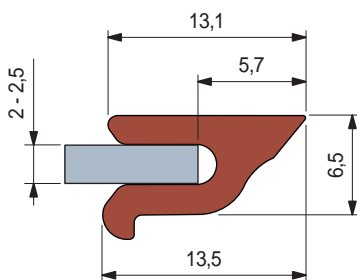
| Material        | Packaging metres | Code     |
|-----------------|------------------|----------|
| UHMWPE          |                  |          |
| ULF - brown red | 30               | UL636473 |

- Standard packaging: coil.

Part. S0838



■ Neck transport guides

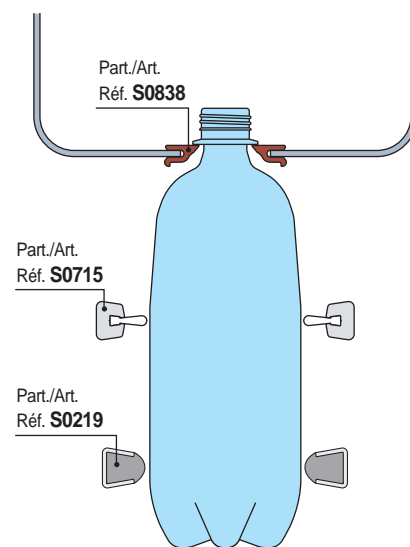
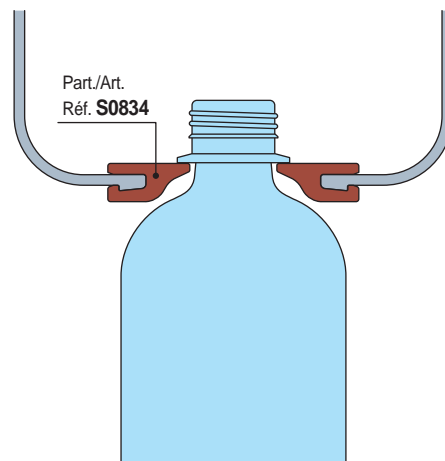


| Material        | Packaging metres | Code     |
|-----------------|------------------|----------|
| UHMWPE          |                  |          |
| ULF - brown red | 30               | UL637613 |

- Standard packaging: coil.

- **Material:** Polyethylene UHMWPE with molecular density 5.600.000 g/mol. Characteristics: new material Polyethylene ULF brown red (UHMWPE): reduced friction coefficient, higher wear resistance.
- **Linear expansion coefficient:**  $2 \times 10^{-4} \text{ } ^\circ\text{C}^{-1}$   
Calculation of thermal expansion see Technical information.
- **Operating temperature ULF - brown red:**  
In air (- 40 to + 45 °C).  
In hot water (+ 45 °C).
- **Polyethylene ULF is FDA approved**  
Polyethylene ULF complies with the Code of Federal Regulations Title 21, § 177.1520 "Olefin Polymers" of the Food and Drug Administration (FDA) of April 1, 2008.

- **Use Part. S0834 - S0838**  
Overhead transport of PET bottles.

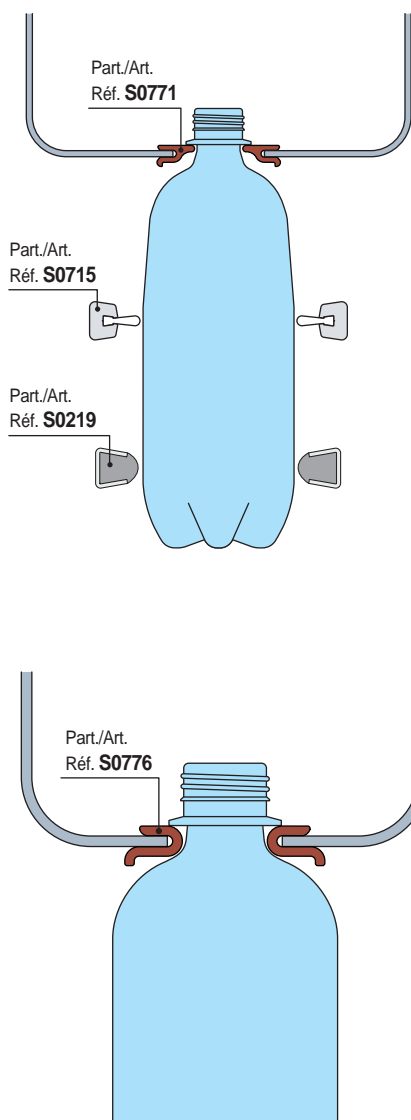


- Best Seller
- Standard
- On request: minimum quantity may apply. Consult our Customer Service for availability.

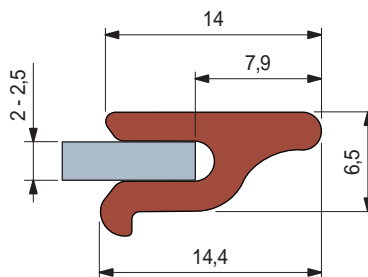
Item code for order = Part. + Code

- **Material:** Polyethylene UHMWPE with molecular density 5.600.000 g/mol.  
Characteristics: new material Polyethylene ULF brown red (UHMWPE): reduced friction coefficient, higher wear resistance.
- **Linear expansion coefficient:**  $2 \times 10^{-4} \text{ } ^\circ\text{C}^{-1}$   
Calculation of thermal expansion see Technical information.
- **Operating temperature ULF - brown red:**  
In air (- 40 to + 45 °C).  
In hot water (+ 45 °C).
- **Polyethylene ULF is FDA approved**  
Polyethylene ULF complies with the Code of Federal Regulations Title 21, § 177.1520 "Olefin Polymers" of the Food and Drug Administration (FDA) of April 1, 2008.

- **Use Part. S0771 - S0776**  
Overhead transport of PET bottles.



■ Neck transport guides



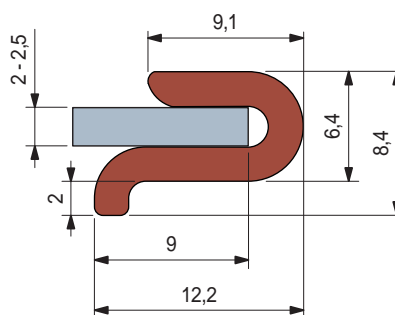
| Material        | Packaging metres | Code      |
|-----------------|------------------|-----------|
| UHMWPE          |                  |           |
| ULF - brown red | 40               | UL626363N |

- Standard packaging: coil.

Part. S0771



■ Neck transport guides



| Material        | Packaging metres | Code      |
|-----------------|------------------|-----------|
| UHMWPE          |                  |           |
| ULF - brown red | 40               | UL626373N |

- Standard packaging: coil.

Part. S0776



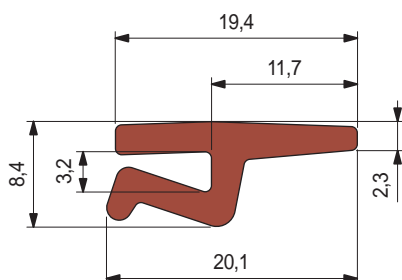
- Best Seller
- Standard
- On request: minimum quantity may apply. Consult our Customer Service for availability.

Item code for order = Part. + Code

Part. S0839



■ Neck transport guides



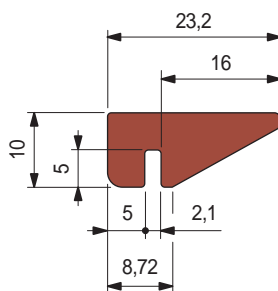
| Material        | Packaging metres | Code     |
|-----------------|------------------|----------|
| UHMWPE          |                  |          |
| ULF - brown red | 30               | UL640063 |

- Standard packaging: coil.

Part. S0835



■ Neck transport guides

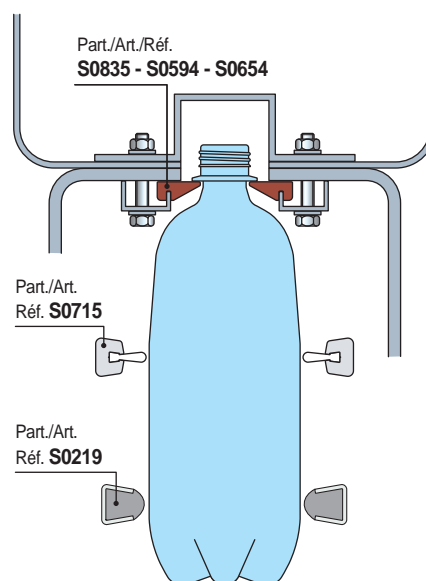
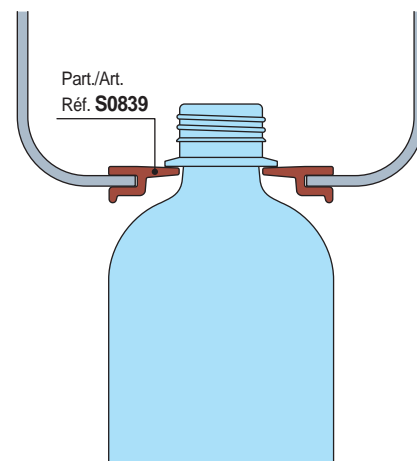


| Material        | Length metres | Code      |
|-----------------|---------------|-----------|
| UHMWPE          |               |           |
| ULF - brown red | 3             | UL636573N |

- Min. curvature radius: 750 mm.  
- Packaging: 45 metres.

- **Material:** Polyethylene UHMWPE with molecular density 5.600.000 g/mol.  
Characteristics: new material Polyethylene ULF brown red (UHMWPE): reduced friction coefficient, higher wear resistance.
- **Linear expansion coefficient:**  $2 \times 10^{-4} \text{ } ^\circ\text{C}^{-1}$   
Calculation of thermal expansion see Technical information.
- **Operating temperature ULF - brown red:**  
In air (- 40 to + 45 °C).  
In hot water (+ 45 °C).
- **Polyethylene ULF is FDA approved**  
Polyethylene ULF complies with the Code of Federal Regulations Title 21, § 177.1520 "Olefin Polymers" of the Food and Drug Administration (FDA) of April 1, 2008.

• **Use** Part. S0839 - S0835 - S0594 - S0654  
Overhead transport of PET bottles.



● Best Seller

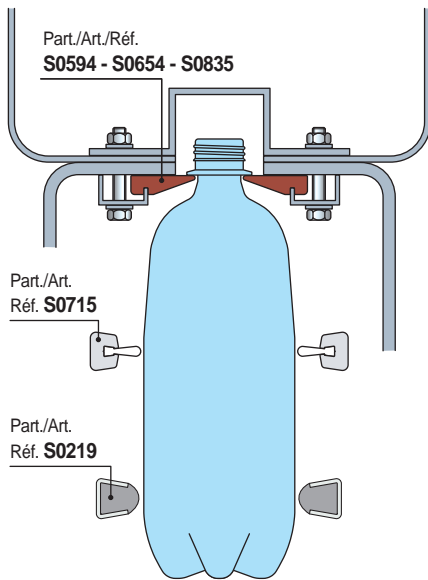
● Standard

● On request: minimum quantity may apply. Consult our Customer Service for availability.

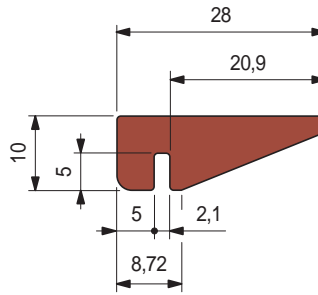
Item code for order = Part. + Code

- **Material:** Polyethylene UHMWPE with molecular density 5.600.000 g/mol.  
Characteristics: new material Polyethylene ULF brown red (UHMWPE): reduced friction coefficient, higher wear resistance.
- **Linear expansion coefficient:**  $2 \times 10^{-4} \text{ } ^\circ\text{C}^{-1}$   
Calculation of thermal expansion see Technical information.
- **Operating temperature ULF - brown red:**  
In air (- 40 to + 45 °C).  
In hot water (+ 45 °C).
- **Polyethylene ULF is FDA approved**  
Polyethylene ULF complies with the Code of Federal Regulations Title 21, § 177.1520 "Olefin Polymers" of the Food and Drug Administration (FDA) of April 1, 2008.

- **Use Part. S0594 - S0654 - S0835**  
Overhead transport of PET bottles.



■ Neck transport guides



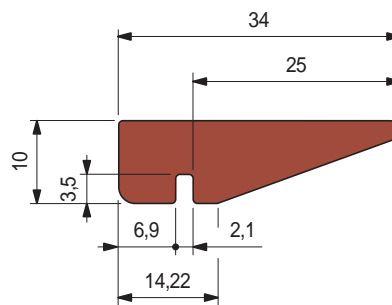
| Material        | Length metres | Code      |
|-----------------|---------------|-----------|
| UHMWPE          |               |           |
| ULF - brown red | 3             | UL691702N |
|                 | 6             | UL691712N |

- Min. curvature radius: 750 mm.
- Packaging: 45 metres (in 3 m length 10Ft).  
90 metres (in 6 m length).

Part. S0594



■ Neck transport guides



| Material        | Length metres | Code      |
|-----------------|---------------|-----------|
| UHMWPE          |               |           |
| ULF - brown red | 3             | UL691722N |
|                 | 6             | UL691732N |

- Min. curvature radius: 750 mm.
- Packaging: 90 metres.

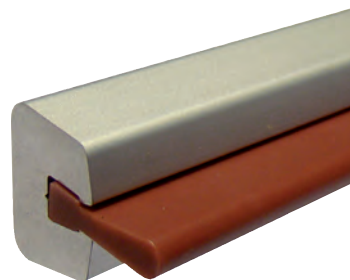
Part. S0654



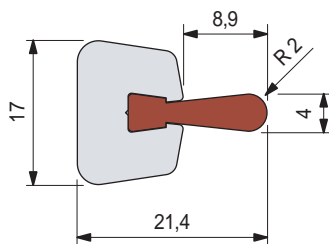
- **Best Seller**
- **Standard**
- **On request:** minimum quantity may apply. Consult our Customer Service for availability.

Item code for order = Part. + Code

Part. S0715



■ Guide rail

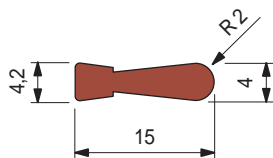


| Length metres | Code             | Weight kg/m |
|---------------|------------------|-------------|
| 3             | <b>UL691892N</b> | 0,59        |

- Material: metal profile in anodized aluminium. Plastic profile in Polyethylene ULF (brown red).
- Standard packaging: The plastic and metal profiles are supplied disassembled.
- Min. curvature radius: 500 mm.
- Packaging: 72 metres.

Part. S0716

■ Plastic profile

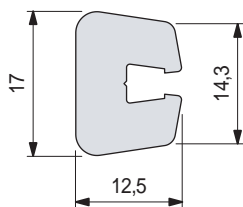


| Material UHMWPE | Packaging metres | Code             |
|-----------------|------------------|------------------|
| ULF - brown red | 60               | <b>UL613833N</b> |

- Standard packaging: coil.
- Weight: 0,09 Kg/m.

Part. S0717

■ Metal profile



| Metal profile material | Length metres | Code          |
|------------------------|---------------|---------------|
| Anodized aluminium     | 3             | <b>686222</b> |

- Min. curvature radius: 500 mm.
- Packaging: 60 metres.
- Weight: 0,50 Kg/m.

- **Material:** Polyethylene UHMWPE with molecular density 5.600.000 g/mol. Characteristics: new material Polyethylene ULF brown red (UHMWPE): reduced friction coefficient, higher wear resistance.

- **Linear expansion coefficient:**  $2 \times 10^{-4} \text{ } ^\circ\text{C}^{-1}$   
Calculation of thermal expansion see Technical information.

• **Operating temperature ULF - brown red:**

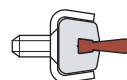
- In air (- 40 to + 45 °C).
- In hot water (+ 45 °C).

• **Polyethylene ULF is FDA approved**

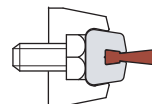
Polyethylene ULF complies with the Code of Federal Regulations Title 21, § 177.1520 "Olefin Polymers" of the Food and Drug Administration (FDA) of April 1, 2008.

• **Accessories:** see Guide - Rail Clamps

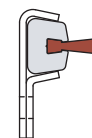
Part./Art./Réf.  
**S0216 - S0903**



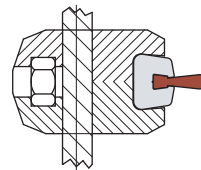
Part./Art./Réf.  
**S0275**



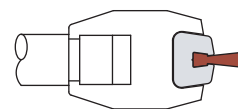
Part./Art./Réf.  
**S0215**



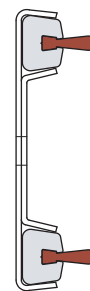
Part./Art./Réf.  
**S0211 - S0446**



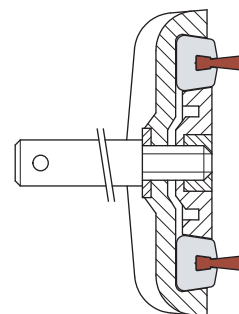
Part./Art./Réf.  
**S0210 - S0210P**



Part./Art./Réf.  
**S0217**



Part./Art./Réf.  
**S0213**



● Best Seller

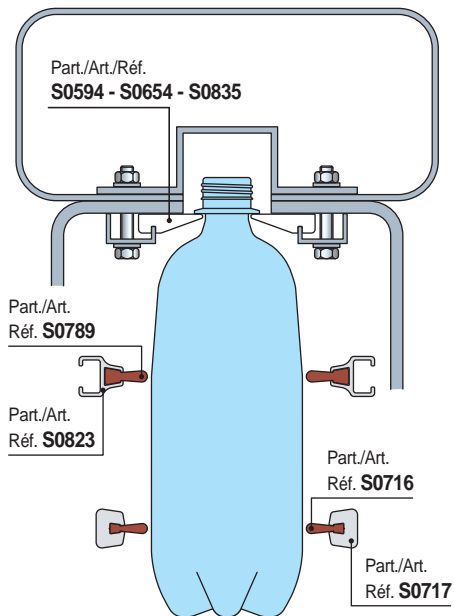
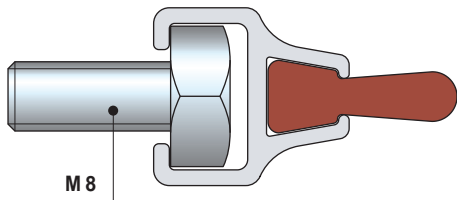
● Standard

● On request: minimum quantity may apply. Consult our Customer Service for availability.

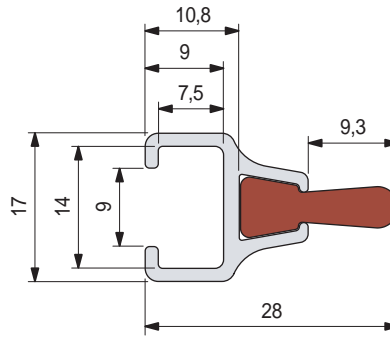
Item code for order = Part. + Code

- **Material:** Polyethylene UHMWPE with molecular density 5.600.000 g/mol.  
Characteristics: new material Polyethylene ULF brown red (UHMWPE): reduced friction coefficient, higher wear resistance.
- **Linear expansion coefficient:**  $2 \times 10^{-4} \text{ } ^\circ\text{C}^{-1}$   
Calculation of thermal expansion see Technical information.
- **Operating temperature ULF - brown red:**  
In air (- 40 to + 45 °C).  
In hot water (+ 45 °C).
- **Polyethylene ULF is FDA approved**  
Polyethylene ULF complies with the Code of Federal Regulations Title 21, § 177.1520 "Olefin Polymers" of the Food and Drug Administration (FDA) of April 1, 2008.

- **Assembly of Part. S0823**  
M8 hex head bolt.



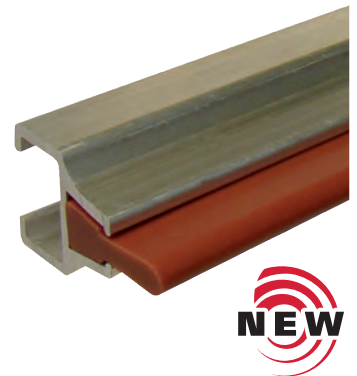
■ Guide rail



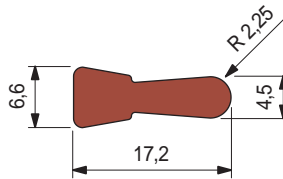
| Length metres | Code             | Weight kg/m |
|---------------|------------------|-------------|
| 5,8           | <b>UL636103N</b> | 0,34        |

- Material: metal profile in anodized aluminium.  
Plastic profile in Polyethylene ULF (brown red).
- Standard packaging: The plastic and metal profiles are supplied disassembled.
- Packaging: 58 metres.

Part. S0832



■ Plastic profile

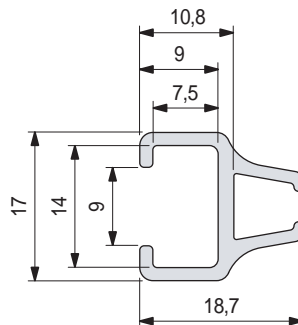


| Material UHMWPE | Packaging metres | Code             |
|-----------------|------------------|------------------|
| ULF - brown red | 40               | <b>UL630893N</b> |

- Standard packaging: coil.
- Weight: 0,10 Kg/m.

Part. S0789

■ Metal profile



| Metal profile material | Length metres | Code          |
|------------------------|---------------|---------------|
| Anodized aluminium     | 5,8           | <b>631433</b> |

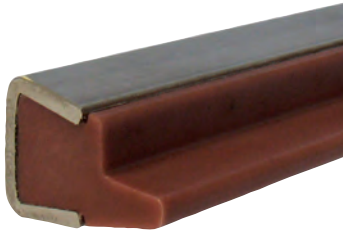
- Packaging: 58 metres.
- Weight: 0,24 Kg/m.

Part. S0823

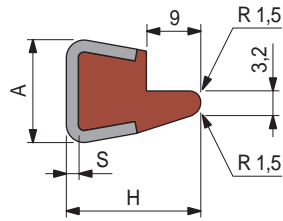
- **Best Seller**
- **Standard**
- **On request:** minimum quantity may apply. Consult our Customer Service for availability.

Item code for order = Part. + Code

Part. S0308



■ Neck transport guide



| S   | H    | A  |
|-----|------|----|
| mm  | mm   | mm |
| 1,5 | 22,5 | 16 |
| 2   | 23   | 17 |

| Thickness S | Metal profile material | Length metres | Code | Weight kg/m |
|-------------|------------------------|---------------|------|-------------|
|-------------|------------------------|---------------|------|-------------|

**Plastic profile in polyethylene UHMWPE (white)**

|     |                            |   |              |      |
|-----|----------------------------|---|--------------|------|
| 1,5 | Austenitic stainless steel | 3 | <b>65602</b> | 0,65 |
|     |                            | 6 | <b>68192</b> |      |
| 2   |                            | 3 | <b>67713</b> |      |

**Plastic profile in polyethylene ULF (brown red)**

|   |                            |   |                 |      |
|---|----------------------------|---|-----------------|------|
| 2 | Austenitic stainless steel | 3 | <b>UL646883</b> | 0,65 |
|---|----------------------------|---|-----------------|------|

- Antistatic polyethylene UHMWPE (black) available upon request with minimum quantities.
- Min. curvature radius: 160 mm.
- Linear expansion coefficient:  $4 \times 10^{-5} \text{ }^\circ\text{C}^{-1}$ .
- Calculation of thermal expansion see Technical information.
- Packaging: 24 metres (in 3 m length 10Ft).  
48 metres (in 6 m length).
- Accessories:



Guide - Rail Clamps.

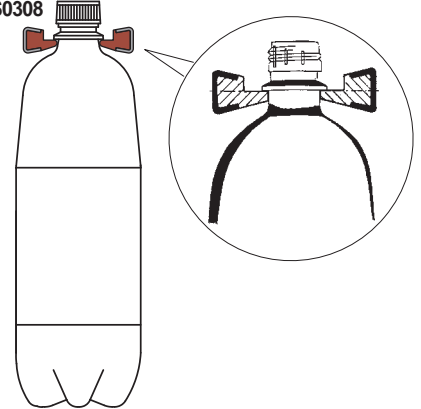


Guide rail bending machine (manual) Part. S0218.

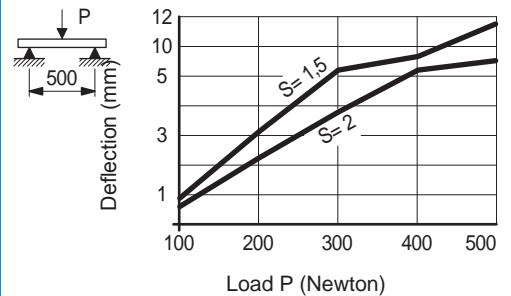
- **Material:** Polyethylene UHMWPE with molecular density 5.600.000 g/mol.
- **Characteristics:** new material Polyethylene ULF brown red (UHMWPE): reduced friction coefficient, higher wear resistance.
- **Operating temperature White, Green, Black:**  
In air (- 40 to + 80 °C).  
In hot water (+ 70 °C).
- **Operating temperature ULF - brown red:**  
In air (- 40 to + 45 °C).  
In hot water (+ 45 °C).
- **Polyethylene ULF is FDA approved**  
Polyethylene ULF complies with the Code of Federal Regulations Title 21, § 177.1520 "Olefin Polymers" of the Food and Drug Administration (FDA) of April 1, 2008.

- **Use of Part. S0308**  
Overhead trasport of PET bottles.

Part./Art.  
Réf. **S0308**



- **Deflection of Part. S0308 - S0393 - S0596**



● Best Seller

● Standard

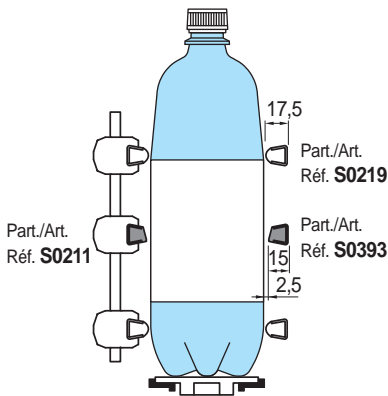
● On request: minimum quantity may apply. Consult our Customer Service for availability.

Item code for order = Part. + Code

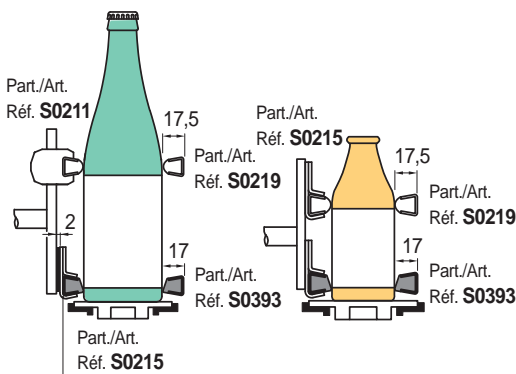
- **Material:** Polyethylene UHMWPE with molecular density 5.600.000 g/mol.  
Characteristics: new material Polyethylene ULF brown red (UHMWPE): reduced friction coefficient, higher wear resistance.
- **Operating temperature White, Green, Black:**  
In air (- 40 to + 80 °C).  
In hot water (+ 70 °C).
- **Operating temperature ULF - brown red:**  
In air (- 40 to + 45 °C).  
In hot water (+ 45 °C).
- **Polyethylene ULF is FDA approved**  
Polyethylene ULF complies with the Code of Federal Regulations Title 21, § 177.1520 "Olefin Polymers" of the Food and Drug Administration (FDA) of April 1, 2008.

• **Use of Part. S0393**

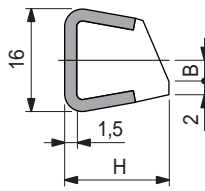
Transport of PET bottles with petaloid bottom.  
The guide can be used to stabilize, and protect label from damage.



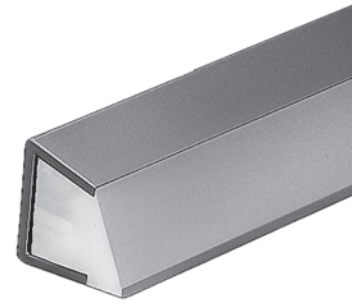
Transport of glass bottles.



■ **Label protection guide**



| H  | B   |
|----|-----|
| mm | mm  |
| 15 | 3,9 |
| 17 | 3,6 |



| Metal profile material     | Length metres | H mm | Code         | Weight kg/m |
|----------------------------|---------------|------|--------------|-------------|
| Austenitic stainless steel | 3             | 15   | <b>62522</b> | 0,50        |
|                            |               | 17   | <b>62512</b> |             |

- Plastic profile material: polyethylene UHMWPE (white).  
Antistatic polyethylene UHMWPE (black) available upon request with minimum quantities.
- Min. curvature radius: 145 mm.
- Linear expansion coefficient:  $4 \times 10^{-5} \text{ } ^\circ\text{C}^{-1}$ .  
Calculation of thermal expansion see Technical information.
- Packaging: 24 metres.
- Accessories:

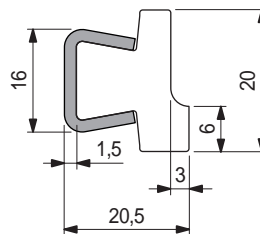


Guide - Rail Clamps.



Guide rail bending machine (manual)  
Part. S0218.

■ **Label protection guide**



Part. S0596



| Metal profile material     | Length metres | H mm | Code          | Weight kg/m |
|----------------------------|---------------|------|---------------|-------------|
| Austenitic stainless steel | 3             | 15   | <b>614673</b> | 0,65        |
|                            |               | 17   | <b>611092</b> |             |

- Use: unstable containers.  
Beer bottles (0,33 l), water bottles (1/2 l).
- Plastic profile material: polyethylene UHMWPE (white).
- Min. curvature radius: 160 mm.
- Linear expansion coefficient:  $4 \times 10^{-5} \text{ } ^\circ\text{C}^{-1}$ .  
Calculation of thermal expansion see Technical information.
- Packaging: 48 metres.
- Accessories:



Guide - Rail Clamps.



Guide rail bending machine (manual)  
Part. S0218.

● **Best Seller**

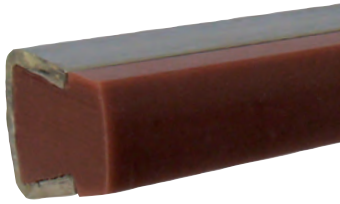
● **Standard**

● **On request:** minimum quantity may apply. Consult our Customer Service for availability.

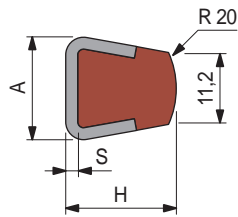
Item code for order = Part. + Code



Part. S0317



■ Guide rail (half round)



| S   | H    | A  |
|-----|------|----|
| mm  | mm   | mm |
| 1,5 | 17,5 | 16 |
| 2   | 18   | 17 |

| Thickness S | Metal profile material | Length metres | Code | Weight kg/m |
|-------------|------------------------|---------------|------|-------------|
|-------------|------------------------|---------------|------|-------------|

Plastic profile in polyethylene UHMWPE (white)

|     |                            |   |              |      |
|-----|----------------------------|---|--------------|------|
| 1,5 | Austenitic stainless steel | 3 | <b>69072</b> | 0,54 |
|     |                            | 6 | <b>69302</b> |      |
| 2   | Austenitic stainless steel | 3 | <b>67063</b> |      |
|     |                            | 6 | <b>67103</b> |      |

Plastic profile in polyethylene ULF (brown red)

|     |                            |   |                 |      |
|-----|----------------------------|---|-----------------|------|
| 1,5 | Austenitic stainless steel | 3 | <b>UL643483</b> | 0,54 |
| 2   | Austenitic stainless steel | 3 | <b>UL643493</b> |      |

- Antistatic polyethylene UHMWPE (black) available upon request with minimum quantities.
- Min. curvature radius: 145 mm.
- Linear expansion coefficient:  $4 \times 10^{-5} \text{ }^\circ\text{C}^{-1}$ .
- Calculation of thermal expansion see Technical information.
- Packaging: 24 metres (in 3 m length 10Ft).  
48 metres (in 6 m length).

- Accessories:



Guide - Rail Clamps.

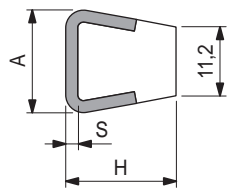


Guide rail bending machine (manual) Part. S0218.

Part. S0233



■ Neck transport guide



| S   | H    | A  |
|-----|------|----|
| mm  | mm   | mm |
| 1,5 | 17,5 | 16 |
| 2   | 18   | 17 |

| Thickness S | Metal profile material | Length metres | Code | Weight kg/m |
|-------------|------------------------|---------------|------|-------------|
|-------------|------------------------|---------------|------|-------------|

|     |                            |   |              |      |
|-----|----------------------------|---|--------------|------|
| 1,5 | Austenitic stainless steel | 3 | <b>61031</b> | 0,54 |
|     | Zinc plated steel          | 6 | <b>69402</b> |      |
| 2   | Austenitic stainless steel | 3 | <b>61743</b> |      |
|     | Austenitic stainless steel | 6 | <b>67123</b> |      |

- Colour: white.
- Antistatic polyethylene UHMWPE (black) available upon request with minimum quantities.
- Min. curvature radius: 145 mm.
- Linear expansion coefficient:  $4 \times 10^{-5} \text{ }^\circ\text{C}^{-1}$ .
- Calculation of thermal expansion see Technical information.
- Packaging: 24 metres (in 3 m length 10Ft).  
48 metres (in 6 m length).

- Accessories:



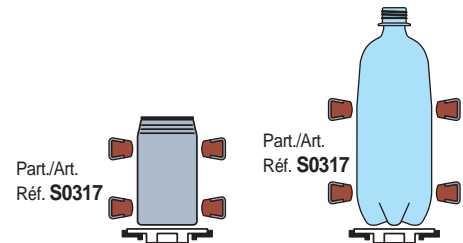
Guide - Rail Clamps.



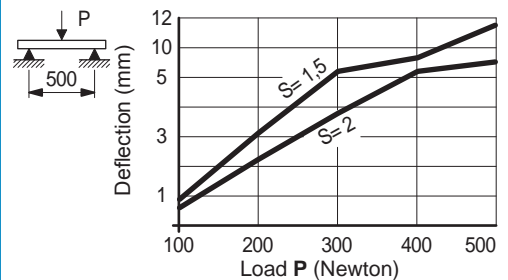
Guide rail bending machine (manual) Part. S0218.

- **Material:** Polyethylene UHMWPE with molecular density 5.600.000 g/mol.  
Characteristics: new material Polyethylene ULF brown red (UHMWPE): reduced friction coefficient, higher wear resistance.
- **Operating temperature White, Green, Black:**  
In air (- 40 to + 80 °C).  
In hot water (+ 70 °C).
- **Operating temperature ULF - brown red:**  
In air (- 40 to + 45 °C).  
In hot water (+ 45 °C).
- **Polyethylene ULF is FDA approved**  
Polyethylene ULF complies with the Code of Federal Regulations Title 21, § 177.1520 "Olefin Polymers" of the Food and Drug Administration (FDA) of April 1, 2008.

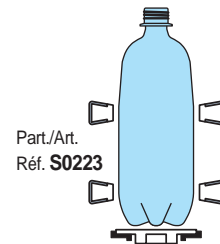
- **Use of Part. S0317**  
Delicate containers (ex: empty cans, empty PET).



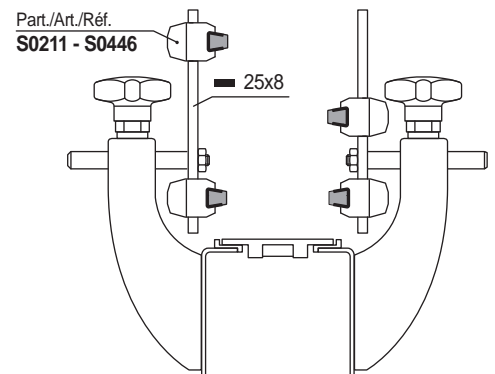
- **Deflection of Part. S0317 - S0223**



- **Use of Part. S0223**  
Middle delicate containers (ex: full PET).



- **Assembly of Part. S0317 - S0223**



● Best Seller

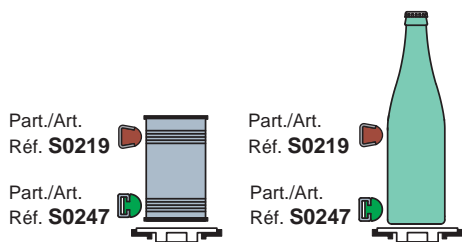
● Standard

● On request: minimum quantity may apply. Consult our Customer Service for availability.

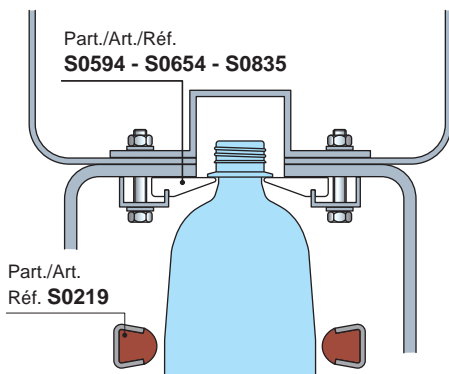
Item code for order = Part. + Code

- **Material:** Polyethylene UHMWPE with molecular density 5.600.000 g/mol.  
Characteristics: new material Polyethylene ULF brown red (UHMWPE): reduced friction coefficient, higher wear resistance.
- **Operating temperature White, Green, Black:**  
In air (- 40 to + 80 °C).  
In hot water (+ 70 °C).
- **Operating temperature ULF - brown red:**  
In air (- 40 to + 45 °C).  
In hot water (+ 45 °C).
- **Polyethylene ULF is FDA approved**  
Polyethylene ULF complies with the Code of Federal Regulations Title 21, § 177.1520 "Olefin Polymers" of the Food and Drug Administration (FDA) of April 1, 2008.

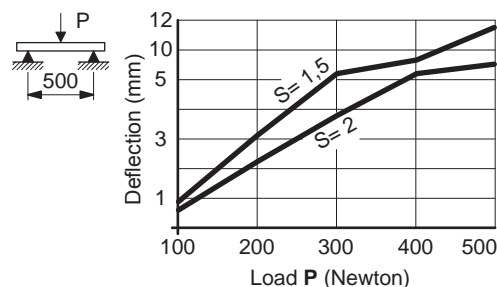
- **Use of S0219 - S0247**  
Medium strength containers (ex: latten, glass).



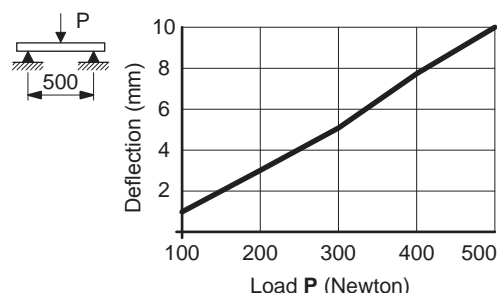
Plastic profile of Part. S0247 can be disassembled.



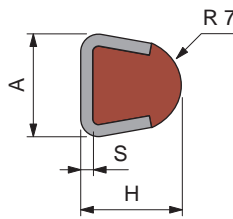
• **Deflection of Part. S0219**



• **Deflection of Part. S0247**



■ **Guide rail (round)**



| S   | H    | A  |
|-----|------|----|
| mm  | mm   | mm |
| 1,5 | 17,5 | 16 |
| 2   | 18   | 17 |

| Thickness S mm | Metal profile material | Length metres | Code | Weight kg/m |
|----------------|------------------------|---------------|------|-------------|
|----------------|------------------------|---------------|------|-------------|

| Plastic profile in polyethylene UHMWPE (white) |                            |   |              |      |
|--|----------------------------|---|--------------|------|
| 1,5  | Austenitic stainless steel | 3 | <b>60161</b> | 0,54 |
|  | Zinc plated steel          | 6 | <b>69292</b> |      |
| 2  | Austenitic stainless steel | 3 | <b>61753</b> | 0,54 |
|  | Zinc plated steel          | 6 | <b>67113</b> |      |

| Plastic profile in polyethylene ULF (brown red) |                            |   |                  |      |
|---|----------------------------|---|------------------|------|
| 1,5   | Austenitic stainless steel | 3 | <b>UL634643N</b> | 0,54 |
| 2   | Zinc plated steel          | 6 | <b>UL634543N</b> |      |

- Antistatic polyethylene UHMWPE (black) available upon request with minimum quantities.
- Min. curvature radius: 145 mm.
- Linear expansion coefficient:  $4 \times 10^{-5} \text{ } ^\circ\text{C}^{-1}$ .  
Calculation of thermal expansion see Technical information.
- Packaging: 24 metres (in 3 m length 10Ft).  
48 metres (in 6 m length).
- Accessories:

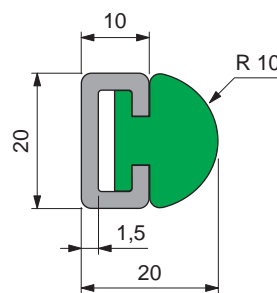


Guide - Rail Clamps.



Guide rail bending machine (manual) Part. S0218.

■ **Guide rail (round)**



| Length metres | Metal profile material | Code | Weight kg/m |
|---------------|------------------------|------|-------------|
|---------------|------------------------|------|-------------|

| Plastic profile material in polyethylene UHMWPE (green) |                            |              |      |
|---|----------------------------|--------------|------|
| 3   | Austenitic stainless steel | <b>63911</b> | 0,67 |
|   | Zinc plated steel          | <b>63921</b> |      |

| Plastic profile material in polyethylene UHMWPE (black) |                   |               |      |
|---|-------------------|---------------|------|
| 3   | Zinc plated steel | <b>684232</b> | 0,67 |
| 6   | Zinc plated steel | <b>689712</b> |      |

- Min. curvature radius: 145 mm.
- Linear expansion coefficient:  $2 \times 10^{-4} \text{ } ^\circ\text{C}^{-1}$ .  
Calculation of thermal expansion see Technical information.
- Packaging: 24 metres.
- Accessories:

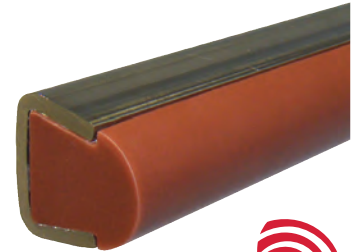


Guide - Rail Clamps.



Guide rail bending machine (manual) Part. S0218.

Part. S0219



Part. S0247



● **Best Seller**

● **Standard**

● **On request:** minimum quantity may apply. Consult our Customer Service for availability.

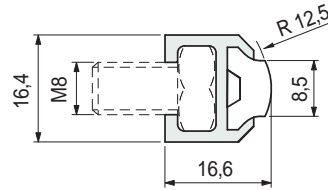
Item code for order = Part. + Code

Part. S0346



In aluminium

■ Guide rail (half round)



| Length metres | Code  | Weight kg/m |
|---------------|-------|-------------|
| 3             | 60204 | 0,24        |
| 6             | 60214 |             |

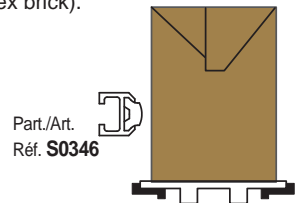
- Colour: white.
- Metal profile in anodized aluminium.
- Min. curvature radius: 110 mm.
- Linear expansion coefficient:  $2 \times 10^{-4} \text{ } ^\circ\text{C}^{-1}$ .
- Calculation of thermal expansion see Technical information.
- Packaging: 48 metres (in 3 m length 10Ft).  
96 metres (in 6 m length).
- Accessories:



Guide rail bending machine (manual)  
Part. S0218.

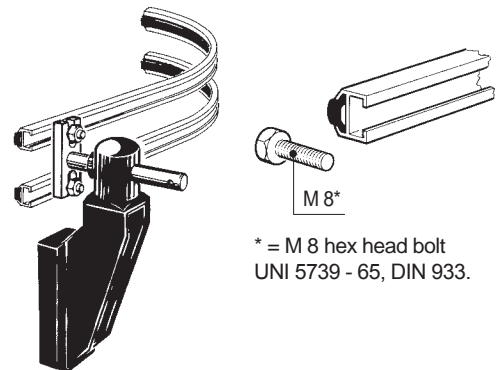
- **Material:** Polyethylene UHMWPE with molecular density 5.600.000 g/mol.  
Characteristics: new material Polyethylene ULF brown red (UHMWPE): reduced friction coefficient, higher wear resistance.
- **Operating temperature White, Green, Black:**  
In air (- 40 to + 80 °C).  
In hot water (+ 70 °C).
- **Operating temperature ULF - brown red:**  
In air (- 40 to + 45 °C).  
In hot water (+ 45 °C).
- **Polyethylene ULF is FDA approved**  
Polyethylene ULF complies with the Code of Federal Regulations Title 21, § 177.1520 "Olefin Polymers" of the Food and Drug Administration (FDA) of April 1, 2008.

- **Use of Part. S0346**  
Conveyors with limited lateral loads (ex brick).



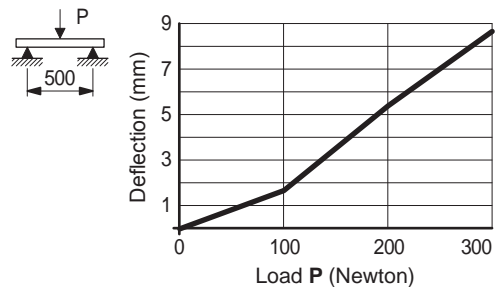
Part./Art.   
Réf. S0346

• Assembly of Part. S0346



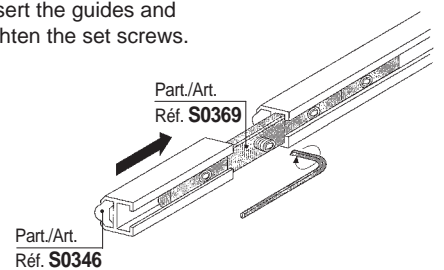
\* = M 8 hex head bolt  
UNI 5739 - 65, DIN 933.

• Deflection of Part. S0346



• Assembly of Part. S0369

Insert the guides and tighten the set screws.



● Best Seller

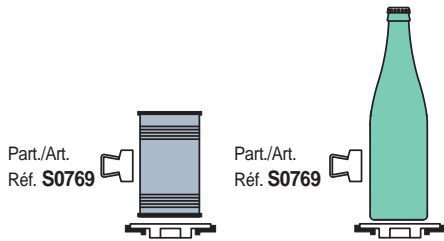
● Standard

● On request: minimum quantity may apply. Consult our Customer Service for availability.

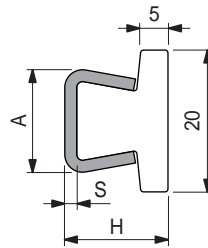
Item code for order = Part. + Code

- **Material:** Polyethylene UHMWPE with molecular density 5.600.000 g/mol.  
Characteristics: new material Polyethylene ULF brown red (UHMWPE): reduced friction coefficient, higher wear resistance.
- **Operating temperature White, Green, Black:**  
In air (- 40 to + 80 °C).  
In hot water (+ 70 °C).
- **Operating temperature ULF - brown red:**  
In air (- 40 to + 45 °C).  
In hot water (+ 45 °C).
- **Polyethylene ULF is FDA approved**  
Polyethylene ULF complies with the Code of Federal Regulations Title 21, § 177.1520 "Olefin Polymers" of the Food and Drug Administration (FDA) of April 1, 2008.

- **Use of Part. S0770 - S0769** Medium strength containers. (ex. latten, glass)



■ Guide rail (flat)



| S   | H    | A  |
|-----|------|----|
| mm  | mm   | mm |
| 1,5 | 17   | 16 |
| 2   | 17,5 | 17 |

Part. S0770



| Thickness | S  | Metal profile material     | Length metres | Code    | Weight kg/m |
|-----------|----|----------------------------|---------------|---------|-------------|
| mm        | mm |                            |               |         |             |
| 1,5       |    | Austenitic stainless steel | 3             | 609183N | 0,61        |
|           |    |                            | 6             | 609193N |             |
| 2         |    | Austenitic stainless steel | 3             | 609203N | 0,71        |
|           |    |                            | 6             | 609213N |             |

- Colour: white.
- Antistatic polyethylene UHMWPE (black) available upon request with minimum quantities.
- Min. curvature radius: 160 mm.
- Linear expansion coefficient:  $4 \times 10^{-5} \text{ } ^\circ\text{C}^{-1}$ .
- Calculation of thermal expansion see Technical information.
- Packaging: 24 metres.
- Accessories:

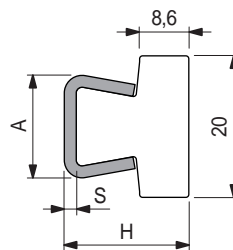


Guide - Rail Clamps.



Guide rail bending machine (manual) Part. S0218.

■ Guide rail (flat)



| S   | H    | A  |
|-----|------|----|
| mm  | mm   | mm |
| 1,5 | 20,5 | 16 |
| 2   | 21   | 17 |

Part. S0769



| Thickness | S  | Metal profile material     | Length metres | Code    | Weight kg/m |
|-----------|----|----------------------------|---------------|---------|-------------|
| mm        | mm |                            |               |         |             |
| 1,5       |    | Austenitic stainless steel | 3             | 609133N | 0,67        |
|           |    |                            | 6             | 609143N |             |
| 2         |    | Austenitic stainless steel | 3             | 609163N | 0,78        |
|           |    |                            | 6             | 609173N |             |

- Colour: white.
- Antistatic polyethylene UHMWPE (black) available upon request with minimum quantities.
- Min. curvature radius: 160 mm.
- Linear expansion coefficient:  $4 \times 10^{-5} \text{ } ^\circ\text{C}^{-1}$ .
- Calculation of thermal expansion see Technical information.
- Packaging: 24 metres.
- Accessories:



Guide - Rail Clamps.



Guide rail bending machine (manual) Part. S0218.

● Best Seller

● Standard

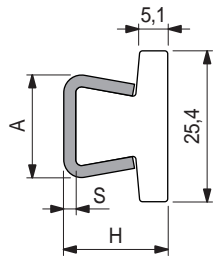
● On request: minimum quantity may apply. Consult our Customer Service for availability.

Item code for order = Part. + Code

Part. S0768



■ Guide rail (flat)



| S   | H    | A  |
|-----|------|----|
| mm  | mm   | mm |
| 1,5 | 17   | 16 |
| 2   | 17,5 | 17 |

| Thickness | Metal profile material     | Length metres | Code           | Weight kg/m |
|-----------|----------------------------|---------------|----------------|-------------|
| 1,5       | Austenitic stainless steel | 3             | <b>609083N</b> | 0,63        |
|           |                            | 6             | <b>609093N</b> |             |
| 2         | Austenitic stainless steel | 3             | <b>609113N</b> | 0,74        |
|           |                            | 6             | <b>609123N</b> |             |

- Colour: white.
- Antistatic polyethylene UHMWPE (black) available upon request with minimum quantities.
- Min. curvature radius: 160 mm.
- Linear expansion coefficient:  $4 \times 10^{-5} \text{ } ^\circ\text{C}^{-1}$ .
- Calculation of thermal expansion see Technical information.
- Packaging: 24 metres.
- Accessories:



Guide - Rail Clamps.

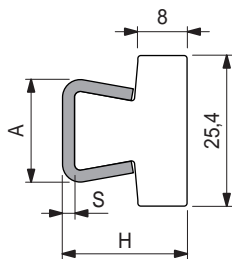


Guide rail bending machine (manual) Part. S0218.

Part. S0767



■ Guide rail (flat)



| S   | H    | A  |
|-----|------|----|
| mm  | mm   | mm |
| 1,5 | 20,5 | 16 |
| 2   | 21   | 17 |

| Thickness | Metal profile material     | Length metres | Code           | Weight kg/m |
|-----------|----------------------------|---------------|----------------|-------------|
| 1,5       | Austenitic stainless steel | 3             | <b>609033N</b> | 0,72        |
|           |                            | 6             | <b>609043N</b> |             |
| 2         | Austenitic stainless steel | 3             | <b>609063N</b> | 0,82        |
|           |                            | 6             | <b>609073N</b> |             |

- Colour: white.
- Antistatic polyethylene UHMWPE (black) available upon request with minimum quantities.
- Min. curvature radius: 160 mm.
- Linear expansion coefficient:  $4 \times 10^{-5} \text{ } ^\circ\text{C}^{-1}$ .
- Calculation of thermal expansion see Technical information.
- Packaging: 24 metres.
- Accessories:



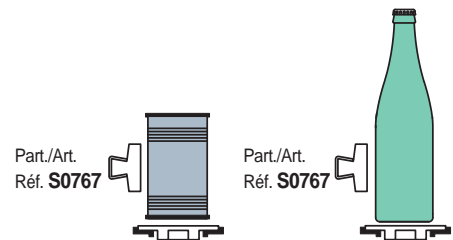
Guide - Rail Clamps.



Guide rail bending machine (manual) Part. S0218.

- **Material:** Polyethylene UHMWPE with molecular density 5.600.000 g/mol.  
Characteristics: new material Polyethylene ULF brown red (UHMWPE): reduced friction coefficient, higher wear resistance.
- **Operating temperature White, Green, Black:**  
In air (- 40 to + 80 °C).  
In hot water (+ 70 °C).
- **Operating temperature ULF - brown red:**  
In air (- 40 to + 45 °C).  
In hot water (+ 45 °C).
- **Polyethylene ULF is FDA approved**  
Polyethylene ULF complies with the Code of Federal Regulations Title 21, § 177.1520 "Olefin Polymers" of the Food and Drug Administration (FDA) of April 1, 2008.

- **Use of Part. S0770 - S0769** Medium strength containers (ex. latten, glass)



● Best Seller

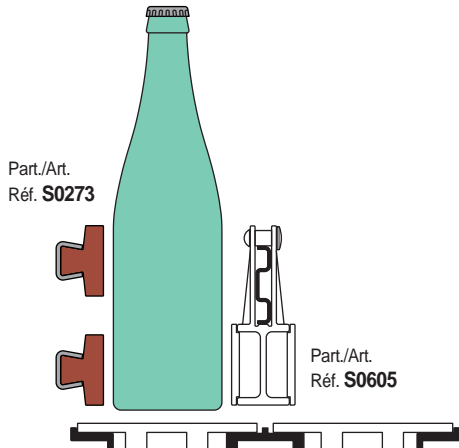
● Standard

● On request: minimum quantity may apply. Consult our Customer Service for availability.

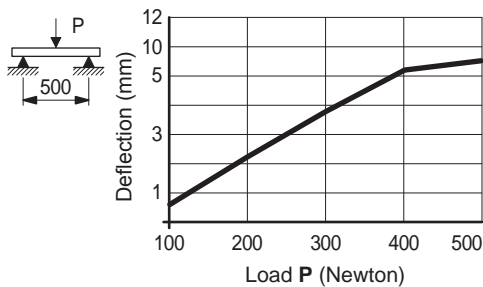
Item code for order = Part. + Code

- **Material:** Polyethylene UHMWPE with molecular density 5.600.000 g/mol.  
Characteristics: new material Polyethylene ULF brown red (UHMWPE): reduced friction coefficient, higher wear resistance.
- **Operating temperature White, Green, Black:**  
In air (- 40 to + 80 °C).  
In hot water (+ 70 °C).
- **Operating temperature ULF - brown red:**  
In air (- 40 to + 45 °C).  
In hot water (+ 45 °C).
- **Polyethylene ULF is FDA approved**  
Polyethylene ULF complies with the Code of Federal Regulations Title 21, § 177.1520 "Olefin Polymers" of the Food and Drug Administration (FDA) of April 1, 2008.

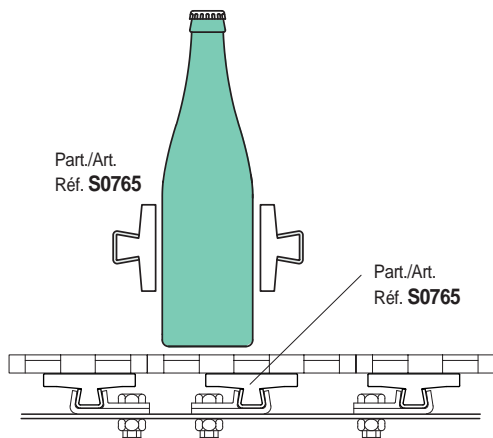
- **Use of Part. S0273**  
Rugged containers with delicate surface (ex. decorated glass bottles).  
Can be use in combination with Part. S0605.



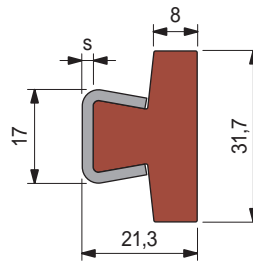
• **Deflection of Part. S0273**



- **Use of Part. S0765**  
Rugged containers with delicate surface (ex. decorated glass bottles).



■ **Guide rail (extra-flat)**



| Thickness S mm   | Metal profile material     | Length metres | Code            | Weight kg/m |
|--|----------------------------|---------------|-----------------|-------------|
| <b>Plastic profile in polyethylene UHMWPE (white)</b>  |                            |               |                 |             |
| 2  | Austenitic stainless steel | 3             | <b>66791</b>    | 0,76        |
|  |                            | 6             | <b>67602</b>    |             |
| <b>Plastic profile in polyethylene ULF (brown red)</b> |                            |               |                 |             |
| 2  | Austenitic stainless steel | 3             | <b>UL643883</b> | 0,76        |
|  |                            | 6             | <b>UL643983</b> |             |

- Antistatic polyethylene UHMWPE (black) available upon request with minimum quantities.
- Min. curvature radius: 160 mm.
- Linear expansion coefficient:  $4 \times 10^{-5} \text{ } ^\circ\text{C}^{-1}$ .
- Calculation of thermal expansion see Technical information.
- Packaging: 24 metres (in 3 m length 10Ft).  
48 metres (in 6 m length).
- Accessories:

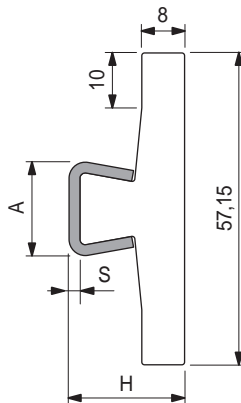


Guide - Rail Clamps.



Guide rail bending machine (manual)  
Part. S0218.

■ **Guide rail (extra-flat)**



| S mm | H mm | A mm |
|------|------|------|
| 1,5  | 20,5 | 16   |
| 2    | 21   | 17   |

| Thickness S mm | Metal profile material     | Length metres | Code           | Weight kg/m |
|----------------|----------------------------|---------------|----------------|-------------|
| 1,5            | Austenitic stainless steel | 3             | <b>608943N</b> | 0,95        |
|                | Zinc plated steel          | 6             | <b>608953N</b> |             |
| 2              | Austenitic stainless steel | 3             | <b>608973N</b> | 1,06        |
|                |                            | 6             | <b>608983N</b> |             |

- Colour: white.
- Antistatic polyethylene UHMWPE (black) available upon request with minimum quantities.
- Min. curvature radius: 200 mm.
- Linear expansion coefficient:  $4 \times 10^{-5} \text{ } ^\circ\text{C}^{-1}$ .
- Calculation of thermal expansion see Technical information.
- Packaging: 24 metres.
- Accessories:

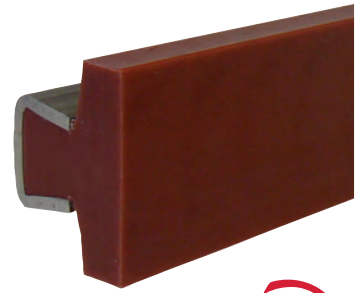


Guide - Rail Clamps.



Guide rail bending machine (manual)  
Part. S0218.

Part. S0273



Part. S0765



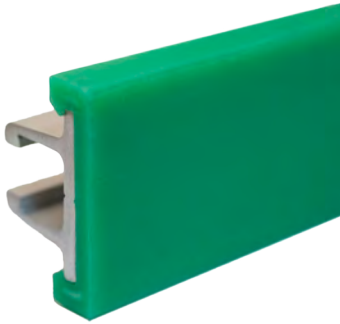
● **Best Seller**

● **Standard**

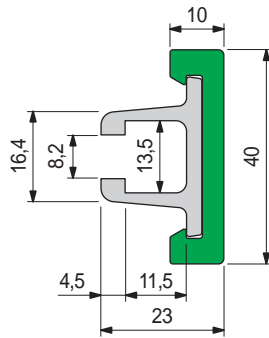
● **On request:** minimum quantity may apply. Consult our Customer Service for availability.

Item code for order = Part. + Code

Part. **S0422**



■ **Guide rail (extra flat)**



| Metal profile material     | Length metres | Code          | Weight kg/m |
|----------------------------|---------------|---------------|-------------|
| Austenitic stainless steel | 3             | <b>65248M</b> | 0,70        |
|                            | 6             | <b>65258M</b> |             |

- Use: rugged containers.
- Material: plastic profile in polyethylene UHMWPE (green).
- State of supply: the plastic and metal profiles are supplied assembled.
- Plastic Profile spare part. (green): S088568309 (6 metres).
- Plastic Profile spare part. (ULF): S0885648423 (6 metres).
- Metal Profile in Anodized aluminium spare part: S0884608662 (3 metres).
- Min. curvature radius: 280 mm.
- Packaging: 24 metres.
- Accessories:

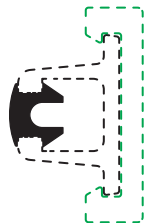


Guide rail bending machine (manual)  
Part. S0218.

Part. **S0370**



■ **Sealing profile**



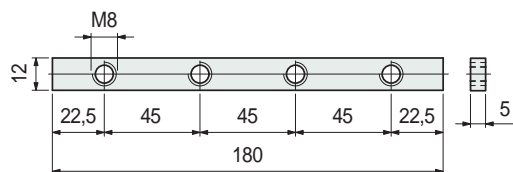
| Material               | Packaging metres | Code         |
|------------------------|------------------|--------------|
| Rubber EPDM 80 (black) | 20               | <b>61036</b> |

- Use: when applied to the metal profile, this product improves guide cleanliness.
- Standard packaging: coil.

Part. **S0369**



■ **Connecting bar**



| Material          | Code         | Weight kg/m |
|-------------------|--------------|-------------|
| Zinc plated steel | <b>69995</b> | 0,10        |

- Packaging: 8 pieces.

● **Best Seller**

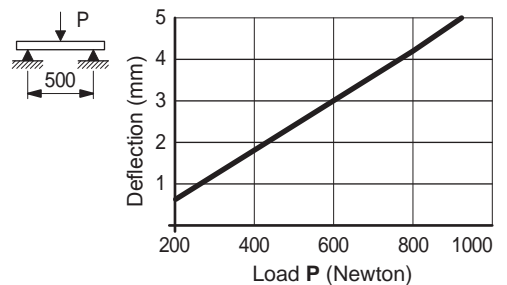
● **Standard**

● **On request:** minimum quantity may apply. Consult our Customer Service for availability.

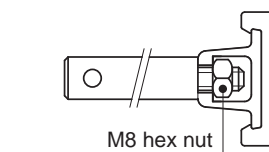
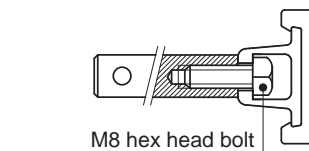
Item code for order = Part. + Code

- **Material:** Polyethylene UHMWPE with molecular density 5.600.000 g/mol.  
Characteristics: new material Polyethylene ULF brown red (UHMWPE): reduced friction coefficient, higher wear resistance.
- **Linear expansion coefficient:**  $2 \times 10^{-4} \text{ } ^\circ\text{C}^{-1}$   
Calculation of thermal expansion see Technical information.
- **Operating temperature Green Black:**  
In air (- 40 to + 80 °C).  
In hot water (+ 70 °C).
- **Operating temperature ULF - brown red:**  
In air (- 40 to + 45 °C).  
In hot water (+ 45 °C).
- **Polyethylene ULF is FDA approved**  
Polyethylene ULF complies with the Code of Federal Regulations Title 21, § 177.1520 "Olefin Polymers" of the Food and Drug Administration (FDA) of April 1, 2008.
- **Position of guides.** See Technical information.

• **Deflection**

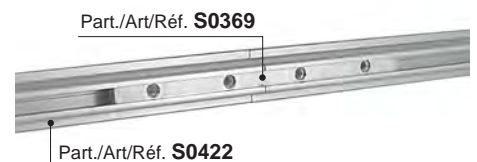
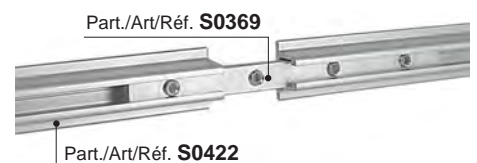


• **Fixing of Part. S0422**



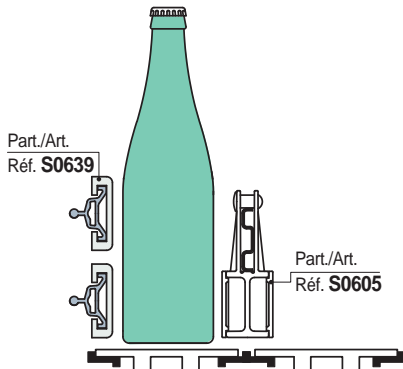
• **Assembly of Part. S0369**

Insert the guides and tighten the set screws.

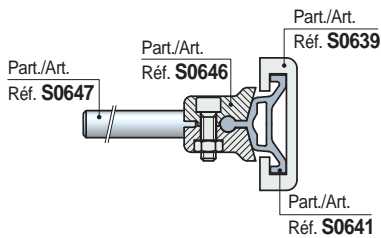


• Use of Part. S0639

Rugged containers with delicate surface (for example decorated glass bottles). Can be used in combination with Part. S0605.

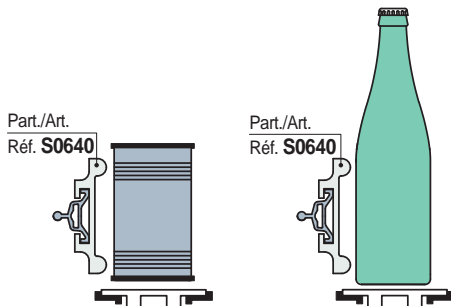


• Assembly of Part. S0639

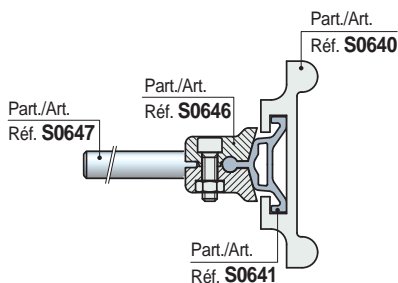


• Use of Part. S0640

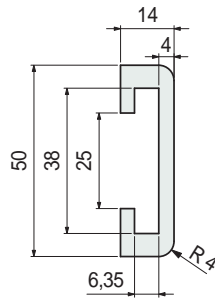
Medium strength containers (ex: latten, glass).



• Assembly of Part. S0640



■ Guide rail

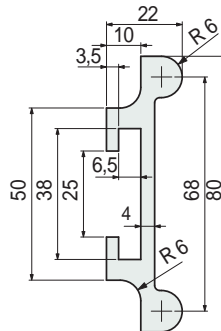


| Material | Length metres | Code   |
|----------|---------------|--------|
| UHMWPE   |               |        |
| Black    | 3             | 652252 |

- Linear expansion coefficient:  $2 \times 10^{-4} \text{ } ^\circ\text{C}^{-1}$ .
- Calculation of thermal expansion see Technical information.
- Packaging: 36 metres.
- Accessories:



■ Guide rail

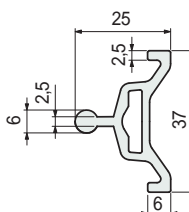


| Material | Length metres | Code   |
|----------|---------------|--------|
| UHMWPE   |               |        |
| Black    | 3             | 652262 |

- Linear expansion coefficient:  $2 \times 10^{-4} \text{ } ^\circ\text{C}^{-1}$ .
- Calculation of thermal expansion see Technical information.
- Packaging: 36 metres.
- Accessories:



■ Metal profile

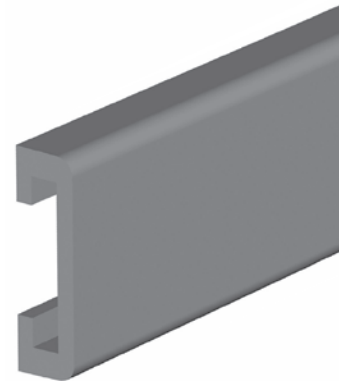


| Metal profile material | Length metres | Code   |
|------------------------|---------------|--------|
| Anodized aluminium     | 3             | 652272 |
|                        | 6             | 652282 |

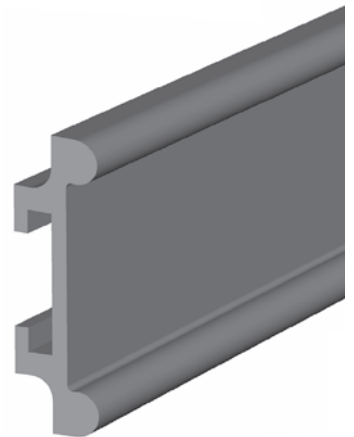
- Packaging: 36 metres.
- Accessories:



Part. S0639



Part. S0640



Part. S0641



● Best Seller

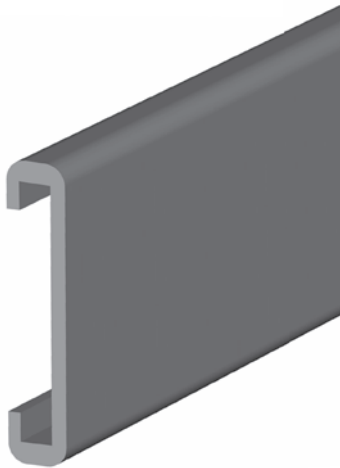
● Standard

● On request: minimum quantity may apply. Consult our Customer Service for availability.

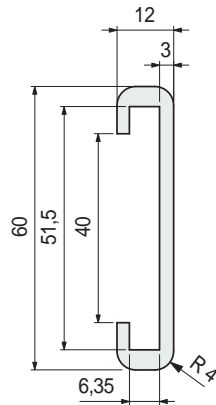
Item code for order = Part. + Code



Part. S0642



■ Guide rail (extra flat)



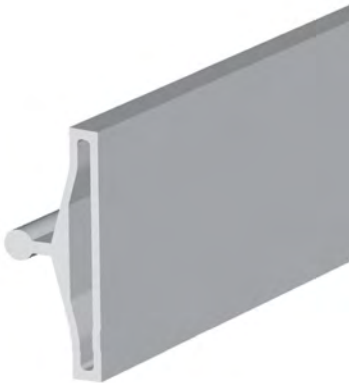
| Material | Length metres | Code          |
|----------|---------------|---------------|
| UHMWPE   |               |               |
| Black    | 3             | <b>652292</b> |

- Linear expansion coefficient:  $2 \times 10^{-4} \text{ } ^\circ\text{C}^{-1}$ . Calculation of thermal expansion see Technical information.
- Packaging: 36 metres.
- Accessories:

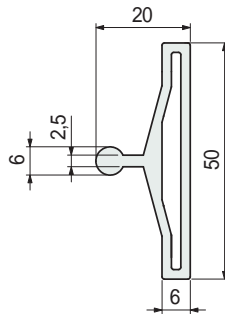


Metal profile  
Part. S0643.

Part. S0643



■ Metal profile



| Metal profile material | Length metres | Code          |
|------------------------|---------------|---------------|
| Anodized aluminium     | 3             | <b>652302</b> |
|                        | 6             | <b>652312</b> |

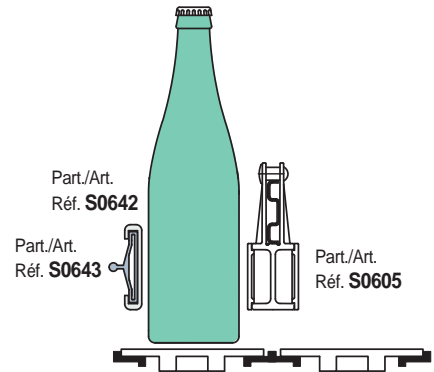
- Can be used in combination with Part. S0642.
- Packaging: 36 metres.
- Accessories:



Guide - Rail  
Clamps.

• Use of Part. S0642 - S0643

Rugged containers with delicate surface (for example decorated glass bottles). Can be used in combination with Part. S0605.



● Best Seller

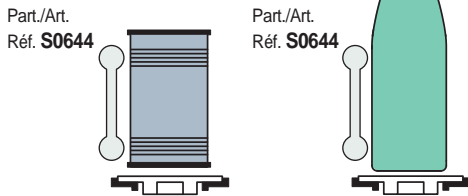
● Standard

● On request: minimum quantity may apply. Consult our Customer Service for availability.

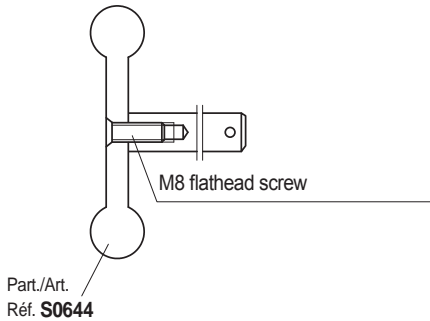
Item code for order = Part. + Code

• Use of Part. S0644

Medium strength containers (ex: latten, glass).

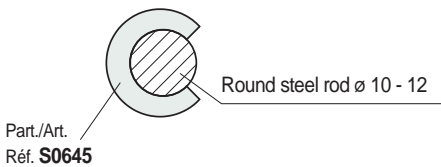


• Fixing of Part. S0644



• Use of Part. S0645

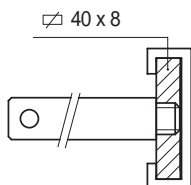
Protection of round steel rods



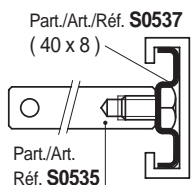
• Fixing of Part. S0539

Assembly / disassembly

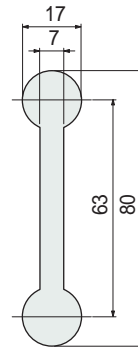
- Fixing with plate.



- Fixing with metal profile Part. S0537.



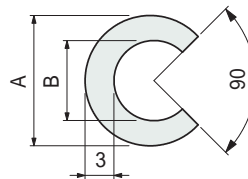
■ Guide rail



| Material UHMWPE | Length metres | Code   |
|-----------------|---------------|--------|
| Black           | 3             | 652322 |
| Green           | 3             | 652332 |

- Linear expansion coefficient:  $2 \times 10^{-4} \text{ } ^\circ\text{C}^{-1}$ . Calculation of thermal expansion see Technical information.
- Packaging: 36 metres.

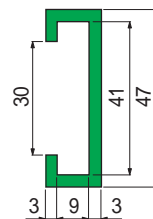
■ Profile for round steel rods



| Material UHMWPE | Use          | A mm | B mm | Code   |
|-----------------|--------------|------|------|--------|
| White           | for rod ø 10 | 14   | 9    | 652342 |
|                 | for rod ø 12 | 17   | 11   | 652352 |

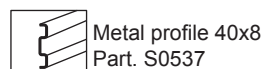
- Linear expansion coefficient:  $2 \times 10^{-4} \text{ } ^\circ\text{C}^{-1}$ .
- Standard packaging: coil.
- Packaging: 50 metres.

■ Guide rail (extra flat)



| Material | Length metres | Code   | Weight kg/m |
|----------|---------------|--------|-------------|
| Black    | 3             | 689301 | 0,23        |
|          | 6             | 689321 |             |
| Green    | 3             | 689291 |             |
|          | 6             | 689311 |             |

- Material: Polyethylene PE 500.000.
- Linear expansion coefficient:  $2,5 \times 10^{-4} \text{ } ^\circ\text{C}^{-1}$ . Calculation of thermal expansion see Technical information.
- Packaging: 48 metres (in 3 m length). 96 metres (in 6 m length).
- Accessories:



Part. S0644



Part. S0645



Part. S0539



● Best Seller

● Standard

● On request: minimum quantity may apply. Consult our Customer Service for availability.

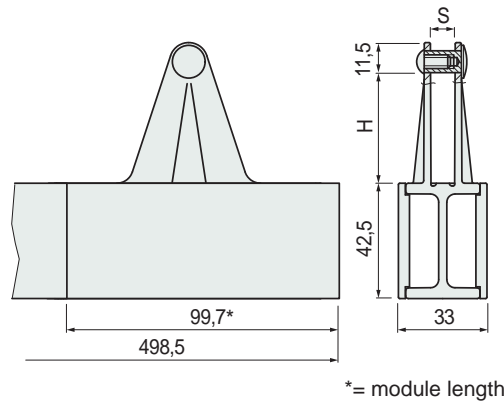
Item code for order = Part. + Code

Part. S0605



Sideflexing

■ Guide rail (extra flat)



| Version        | H mm | S mm | Code   | Weight kg/m |
|----------------|------|------|--------|-------------|
| For 30x6 plate | 30   | 6    | 613602 | 0,96        |
| For 40x8 plate | 40   | 8    | 613612 |             |

- Use: glass containers without side load. Can be used both straight run and sideflexing.
- Can be used in combination with Part. S0273 - S0356 - S0422 - S0539 - S0639 - S0642.
- Material: frame in acetal POM (black). Low friction plates in acetal POM (white).
- Min. curvature radius: 335 mm.
- Standard packaging: strands of 0,498 metres (N 5 modules).
- Packaging: 4,5 metres (N 9 strands).
- Accessories:



Divider module Part. S0730



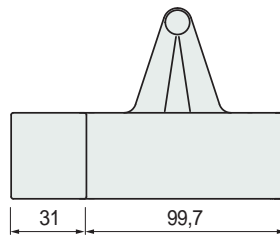
Metal profile 40x8 Part. S0537

Accessories

Part. S0606



■ Metal profile

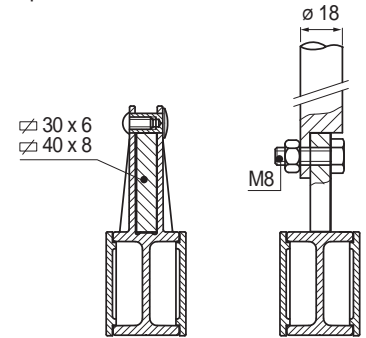


| Version        | Code   | Weight kg |
|----------------|--------|-----------|
| For 30x6 plate | 613642 | 0,13      |
| For 40x8 plate | 613652 |           |

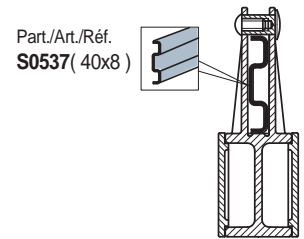
- Material: frame in acetal POM (black). Low friction plates in acetal POM (white). Separation block in polyethylene PE (black).
- Packaging: 2 pieces.

• Fixing of Part. S0605  
Assembly / disassembly

- Fixing with plate.

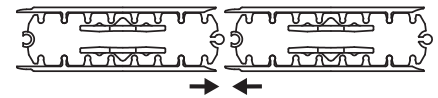


- Fixing with metal profile Part. S0537.



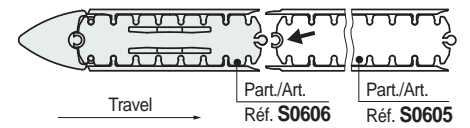
• Modular system

The guide consists of modules with snap-on assembly.



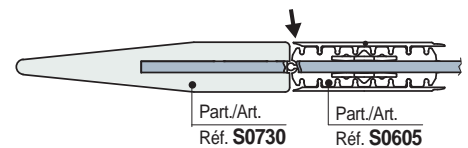
• Assembly of Part. S0606

Guide position Part. S0605 to allow assembly with divider module.



• Assembly of Part. S0730

Guide position (Part. S0605) to allow assembly with divider module Part. S0730.



● Best Seller

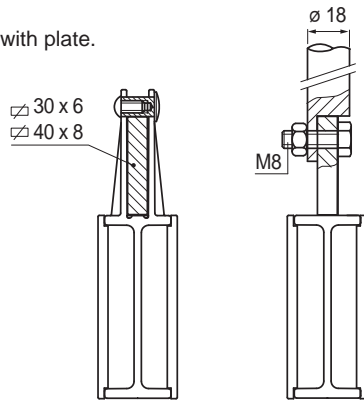
● Standard

● On request: minimum quantity may apply. Consult our Customer Service for availability.

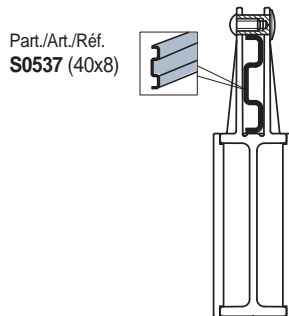
Item code for order = Part. + Code

• **Fixing of Part. S0605**  
Assembly / disassembly

- Fixing with plate.

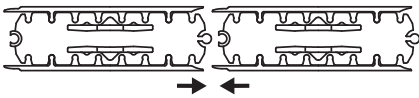


- Fixing with metal profile Part. S0537.



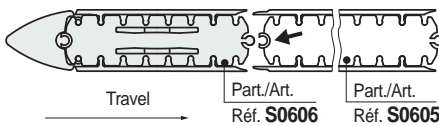
• **Modular system**

The guide consists of modules with snap-on assembly.



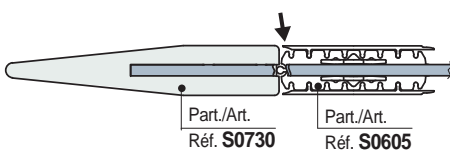
• **Assembly of Part. S0606**

Guide position Part. S0605 to allow assembly with divider module.

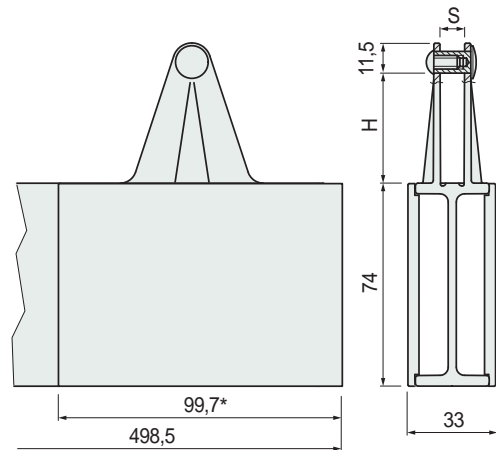


• **Assembly of Part. S0730**

Guide position (Part. S0605) to allow assembly with divider module Part. S0730.



■ **Guide rail (extra flat)**



\*= module length

Part. S0605



Sideflexing

| Version        | H mm | S mm | Code   | Weight kg/m |
|----------------|------|------|--------|-------------|
| For 30x6 plate | 30   | 6    | 613622 | 1,38        |
| For 40x8 plate | 40   | 8    | 613632 |             |

- Use: glass containers without side load.
- Can be used both straight run and sideflexing.
- Can be used in combination with Part. S0273 - S0356 - S0422 - S0539 - S0639 - S0642.
- Material: frame in acetal POM (black).
- Low friction plates in acetal POM (white).
- Min. curvature radius: 335 mm.
- Standard packaging: strands of 0,498 metres (N 5 modules).
- Packaging: 4,5 metres (N 9 strands).
- Accessories:



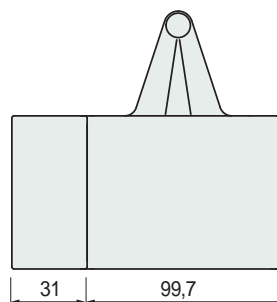
Divider module  
Part. S0730



Metal profile  
40x8  
Part. S0537

Accessories

■ **Metal profile**



Part. S0606



| Version        | Code   | Weight kg |
|----------------|--------|-----------|
| For 30x6 plate | 613662 | 0,19      |
| For 40x8 plate | 613672 |           |

- Material: frame in acetal POM (black).
- Low friction plates in acetal POM (white).
- Separation block in polyethylene PE (black).
- Packaging: 2 pieces.

● **Best Seller**

● **Standard**

● **On request:** minimum quantity may apply. Consult our Customer Service for availability.

Item code for order = Part. + Code

Part. S0191

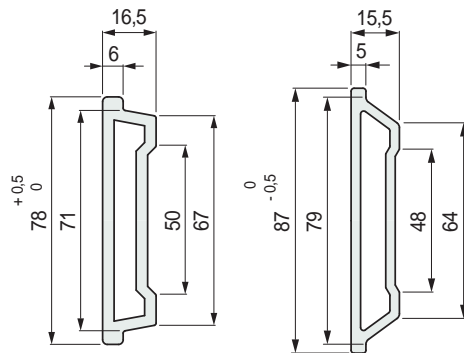
Part. S0296



■ Guide rail (extra-large)

Part. S0191

Part. S0296



| Material | Length metres | Code        | Weight kg/m |
|----------|---------------|-------------|-------------|
| Black    | 3             | S019157131  | 0,60        |
|          | 6             | S019156811  |             |
|          | 3             | S029668811  |             |
|          | 6             | S0296618291 |             |

- Material: polyethylene PE 500.000.
- Min. curvature radius: 200 mm.
- Linear expansion coefficient:  $2,5 \times 10^{-4} \text{ } ^\circ\text{C}^{-1}$ .  
Calculation of thermal expansion see Technical information.
- Packaging: 30 metres (in 3 m length).  
60 metres (in 6 m length).
- Accessories:



Guide - Rail Clamps.



Guide rail bending machine (manual) Part. S0218.

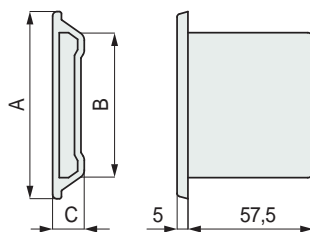
Accessories

Part. S0376

Part. S0377



■ End plug



| Use                       | A mm | B mm | C mm | Code       |
|---------------------------|------|------|------|------------|
| Applicable to Part. S0191 | 77   | 65,3 | 15,5 | S037663626 |
| Applicable to Part. S0296 | 86   | 63,8 | 14,5 | S037763636 |

- Material: reinforced polypropylene PP FV (black).
- Packaging: 50 pieces.

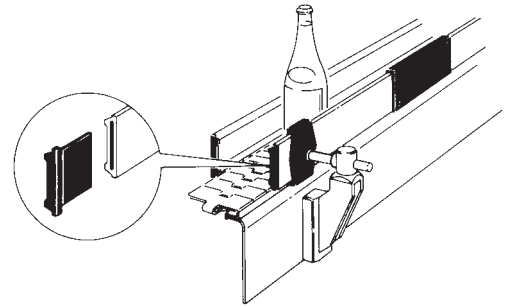
● Best Seller

● Standard

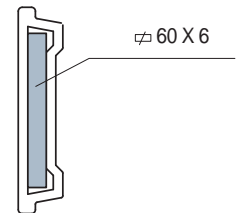
● On request: minimum quantity may apply. Consult our Customer Service for availability.

Item code for order = Part. + Code

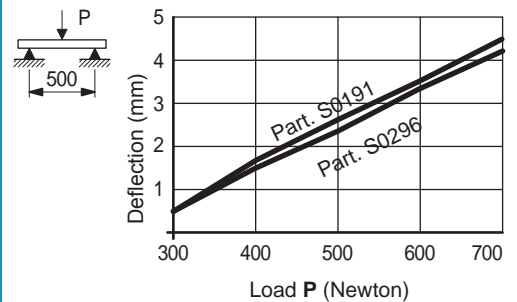
• Use of Part. S0191 - S0296



- The guide rails must be used with a 60 x 6 plate

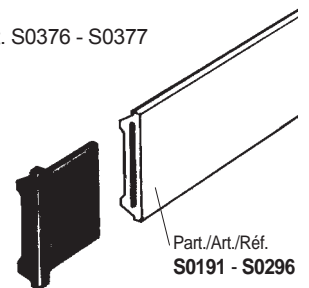


• Deflection of Part. S0191 - S0296

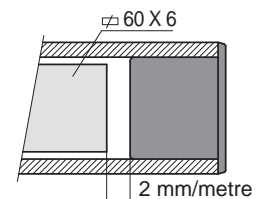


• Assembly of Part. S0376 - S0377

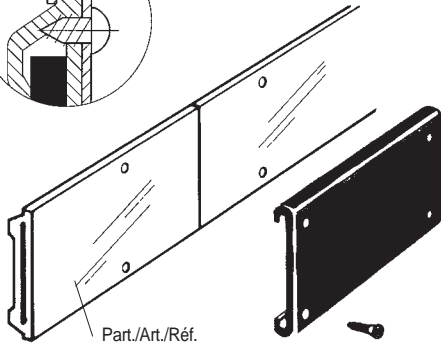
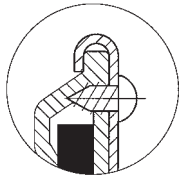
- Press-fit.
- Seal with silicon.



- Leave a gap between the plug and the plate to allow for contraction at low temperatures.

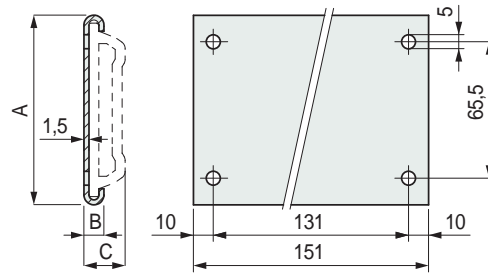


• **Assembly of Part. S0378 - S0379**  
 Assembly with self-tapping screws  
 4,8 x 9,5 DIN 7970



Part./Art./Réf.  
**S0191 - S0296**

■ **Joint clamp**



| Use                       | A<br>mm | B<br>mm | C<br>mm | Code              |
|---------------------------|---------|---------|---------|-------------------|
| Applicable to Part. S0191 | 81,5    | 9       | 18      | <b>S037863646</b> |
| Applicable to Part. S0296 | 90      | 8       | 17      | <b>S037963656</b> |

- Material: clamp and fixing screws in austenitic stainless steel.
- Standard packaging: 50 pieces complete with fixing screws.

Part. **S0378**  
 Part. **S0379**



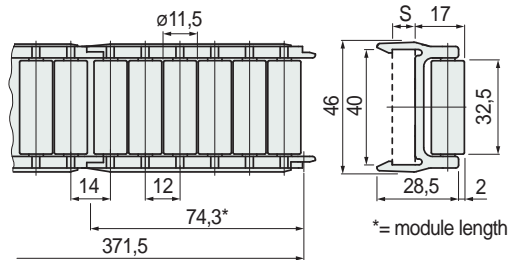
- **Best Seller**
- **Standard**
- **On request:** minimum quantity may apply. Consult our Customer Service for availability.

Item code for order = Part. + Code

Part. S0581



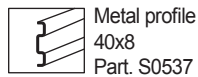
■ Roller side guide



Sideflexing

| Version         | S mm | Code          | Weight kg/m |
|-----------------|------|---------------|-------------|
| For 40x8 plate  | 6    | <b>603322</b> | 0,62        |
| For 40x10 plate | 8    | <b>673952</b> |             |

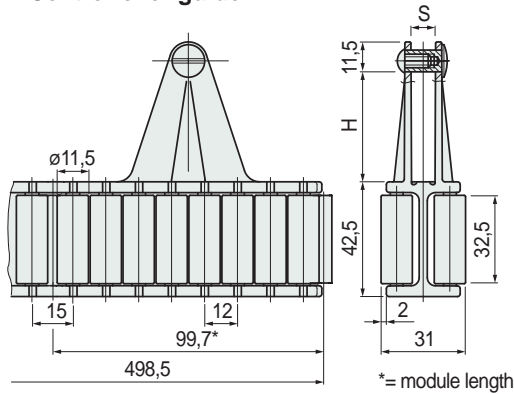
- Material: frame in acetal POM (black), rollers in Polyethylene PE (white).
- Standard packaging: strands of 0,371 metres (5 modules).
- Packaging: 4,5 metres (12 strands).
- Accessories:



Part. S0585



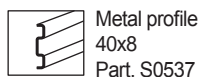
■ Centre roller guide



Sideflexing

| Version        | H mm | S mm | Code           | Weight kg/m |
|----------------|------|------|----------------|-------------|
| For 30x6 plate | 30   | 6    | <b>603492N</b> | 1,24        |
| For 40x8 plate | 40   | 8    | <b>603502N</b> |             |

- Can be used in combination with Part. S0581.
- Material: frame in acetal POM (black), rollers in Polyethylene PE (white).
- Min. curvature radius: 335 mm.
- Standard packaging: strands of 0,498 metres (5 modules).
- Packaging: 4,5 metres (9 strands).
- Accessories:



● Best Seller

● Standard

● On request: minimum quantity may apply. Consult our Customer Service for availability.

Item code for order = Part. + Code

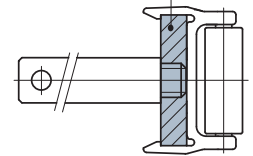
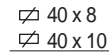
• Use of Part. S0581- S0585

For thin walled and delicate containers (like aluminium cans, PET bottles, decorated card-board).

• Fixing of Part. S0581

Snap-on assembly / disassembly

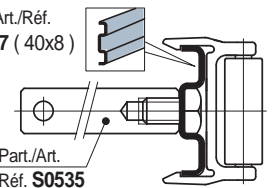
- Fixing with plate.



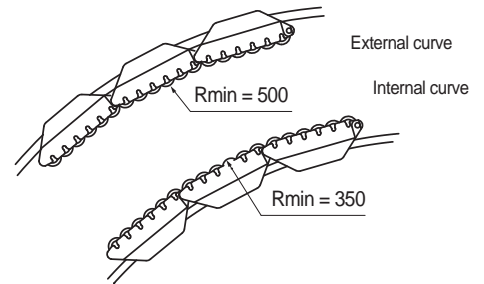
- Fixing with metal profile Part. S0537.

Part./Art./Réf. **S0537** (40x8)

Part./Art. Réf. **S0535**



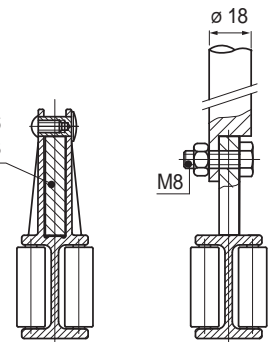
• Min. curvature radius Part. S0581



• Fixing of Part. S0585

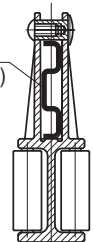
Assembly / disassembly.

- Fixing with plate.



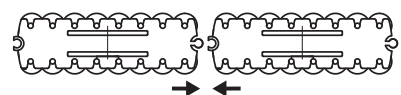
- Fixing with metal profile Part. S0537.

Part./Art./Réf. **S0537** (40x8)

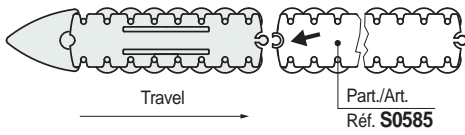


• Modular system Part. S0581 - S0585

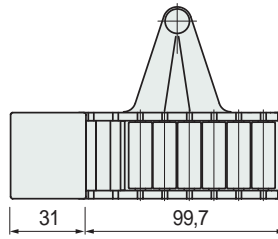
The guide consists of modules with snap-on assembly.



- **Assembly of Part. S0586**  
Guide position (Part. S0585) to allow assembly with divider module.



■ **Divider module**



Part. S0586



| Version        | Code           | Weight<br>kg |
|----------------|----------------|--------------|
| For 30x6 plate | <b>603552N</b> | 0,15         |
| For 40x8 plate | <b>603562N</b> |              |

- Material: frame in acetal POM (black), rollers in Polyethylene PE (white). Separation block in polyethylene PE (black).
- Packaging: 2 pieces.

- **Best Seller**
- **Standard**
- **On request:** minimum quantity may apply. Consult our Customer Service for availability.

Item code for order = Part. + Code

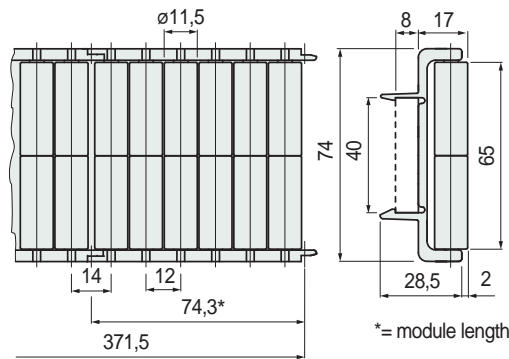


Part. S0581



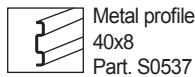
Sideflexing

Roller side guide



| Version        | Code   | Weight kg |
|----------------|--------|-----------|
| For 40x8 plate | 603312 | 1,01      |

- Material: frame in acetal POM (black), rollers in Polyethylene PE (white).
- Standard packaging: strands of 0,371 metres (5 modules).
- Packaging: 4,5 metres (12 strands).
- Accessories:

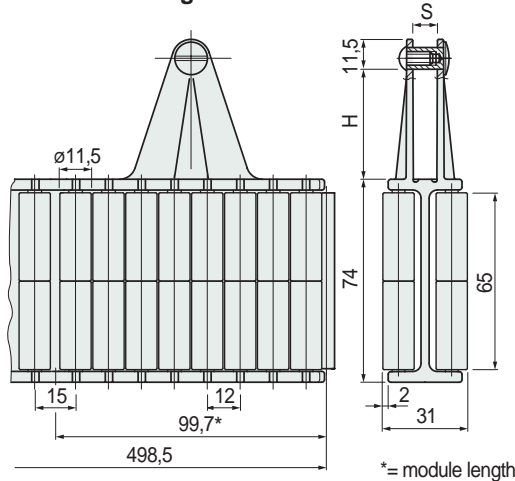


Part. S0585



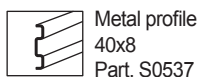
Sideflexing

Centre roller guide



| Version        | H mm | S mm | Code   | Weight kg/m |
|----------------|------|------|--------|-------------|
| For 30x6 plate | 30   | 6    | 603512 | 2,0         |
| For 40x8 plate | 40   | 8    | 603522 |             |

- Can be used in combination with Part. S0581.
- Material: frame in acetal POM (black), rollers in Polyethylene PE (white).
- Min. curvature radius: 335 mm.
- Standard packaging: strands of 0,498 metres (5 modules).
- Packaging: 4,5 metres (9 strands).
- Accessories:



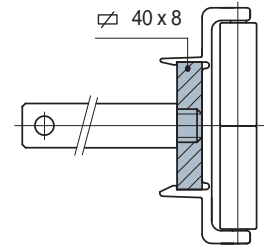
Use of Part. S0581- S0585

For thin walled and delicate containers (like aluminium cans, PET bottles, decorated card-board).

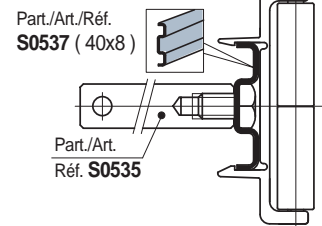
Fixing of Part. S0581

Snap-on assembly / disassembly

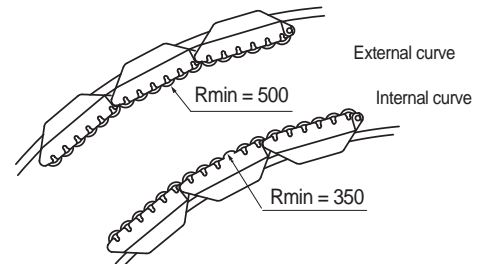
- Fixing with plate.



- Fixing with metal profile Part. S0537.



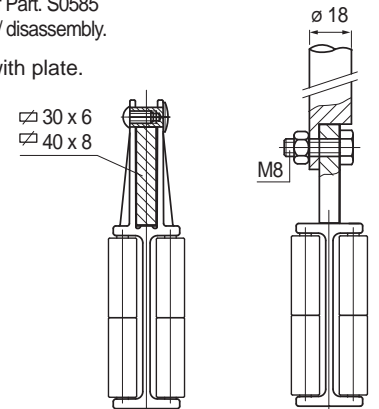
Min. curvature radius Part. S0581



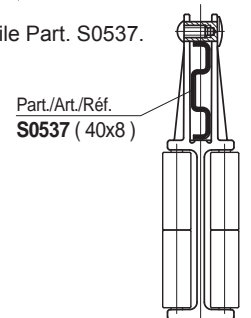
Fixing of Part. S0585

Assembly / disassembly.

- Fixing with plate.

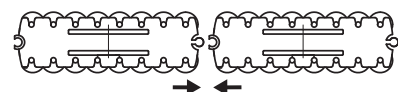


- Fixing with metal profile Part. S0537.



Modular system Part. S0581 - S0585

The guide consists of modules with snap-on assembly.



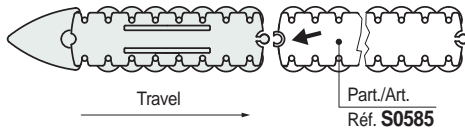
Best Seller

Standard

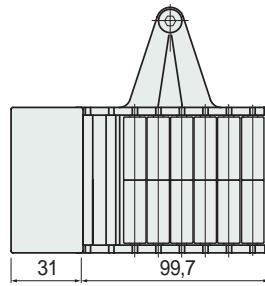
On request: minimum quantity may apply. Consult our Customer Service for availability.

Item code for order = Part. + Code

- **Assembly of Part. S0586**  
Guide position (Part. S0585) to allow assembly with divider module.



■ **Divider module**



Part. S0586



| Version        | Code   | Weight<br>kg |
|----------------|--------|--------------|
| For 30x6 plate | 603572 | 0,24         |
| For 40x8 plate | 603582 |              |

- Material: frame in acetal POM (black), rollers in Polyethylene PE (white). Separation block in polyethylene PE (black).
- Packaging: 2 pieces.

- **Best Seller**
- **Standard**
- **On request:** minimum quantity may apply. Consult our Customer Service for availability.

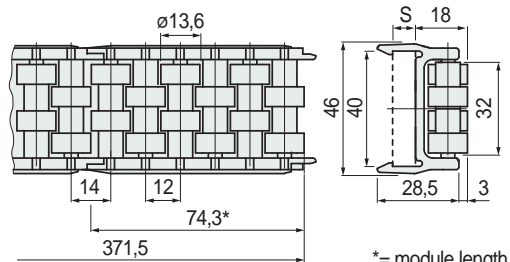
Item code for order = Part. + Code

Part. S0580

Roller side guide

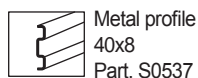


Sideflexing



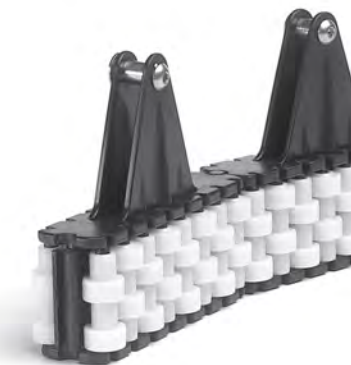
| Version         | S mm | Code   | Weight kg/m |
|-----------------|------|--------|-------------|
| For 40x8 plate  | 8    | 603302 | 0,61        |
| For 40x10 plate | 10   | 611772 |             |

- Material: frame in Acetal POM (black), rollers in Acetal POM (white).
- Standard packaging: strands of 0,371 metres (5 modules).
- Packaging: 4,5 metres (12 strands).
- Accessories:

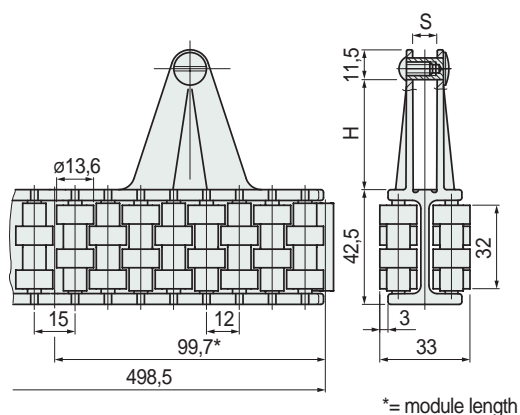


Part. S0557

Centre roller guide

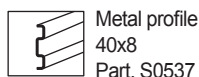


Sideflexing



| Version        | H mm | S mm | Code    | Weight kg/m |
|----------------|------|------|---------|-------------|
| For 30x6 plate | 30   | 6    | 695501N | 1,22        |
| For 40x8 plate | 40   | 8    | 695991N |             |

- Can be used in combination with Part. S0580.
- Material: frame in Acetal POM (black), rollers in Acetal POM (white).
- Min. curvature radius: 335 mm.
- Standard packaging: strands of 0,498 metres (5 modules).
- Packaging: 4,5 metres (9 strands).
- Accessories:

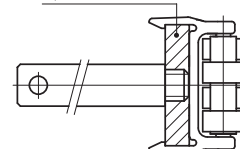


Fixing of Part. S0580

Snap-on assembly / disassembly

- Fixing with plate.

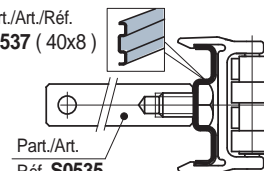
- 40 x 8
- 40 x 10



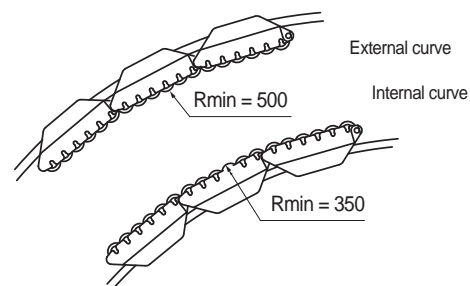
- Fixing with metal profile Part. S0537.

Part./Art./Réf.  
S0537 (40x8)

Part./Art.  
Réf. S0535



Min. curvature radius Part. S0580

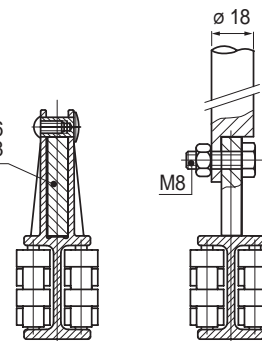


Fixing of Part. S0557

Assembly / disassembly.

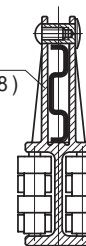
- Fixing with plate.

- 30 x 6
- 40 x 8



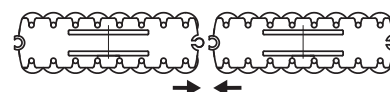
- Fixing with metal profile Part. S0537.

Part./Art./Réf.  
S0537 (40x8)



Modular system Part. S0580 - S0557

The guide consists of modules with snap-on assembly.



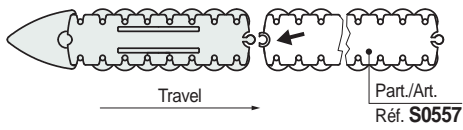
Best Seller

Standard

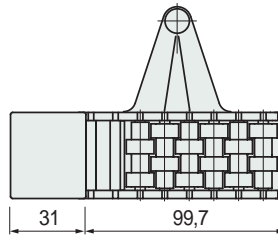
On request: minimum quantity may apply. Consult our Customer Service for availability.

Item code for order = Part. + Code

- **Assembly of Part. S0570**  
Guide position (Part. S0557) to allow assembly with divider module.



■ **Divider module**



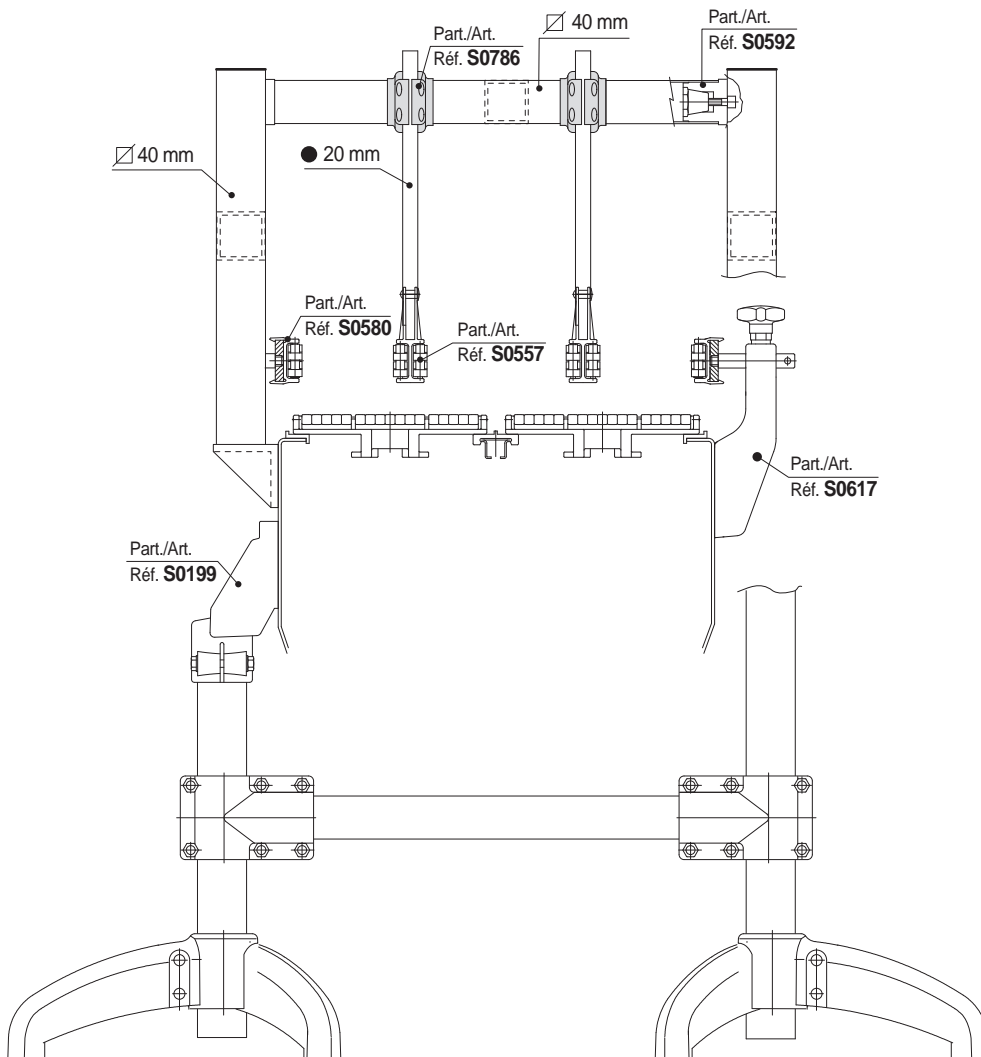
Part. S0570



| Version        | Code    | Weight<br>kg |
|----------------|---------|--------------|
| For 30x6 plate | 601142N | 0,15         |
| For 40x8 plate | 601162N |              |

- Material: frame in Acetal POM (black), rollers in Acetal POM (white). Separation block in polyethylene PE (black).
- Packaging: 2 pieces.

- **Use of Part. S0580 - S0557**  
For medium strength containers (tin cans, glass strong aluminium cans).



- **Best Seller**
- **Standard**
- **On request:** minimum quantity may apply. Consult our Customer Service for availability.

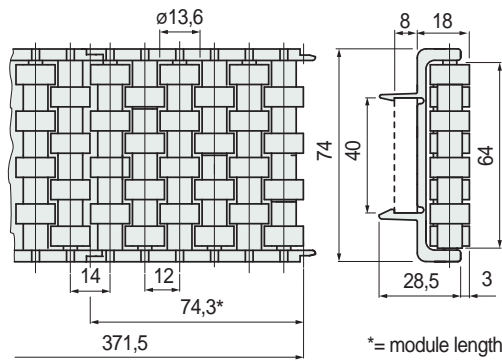
Item code for order = Part. + Code

Part. S0580



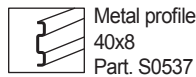
Sideflexing

Roller side guide



| Version        | Code   | Weight kg |
|----------------|--------|-----------|
| For 40x8 plate | 603292 | 0,99      |

- Material: frame in Acetal POM (black), rollers in Acetal POM (white).
- Standard packaging: strands of 0,371 metres (5 modules).
- Packaging: 4,5 metres (12 strands).
- Accessories:

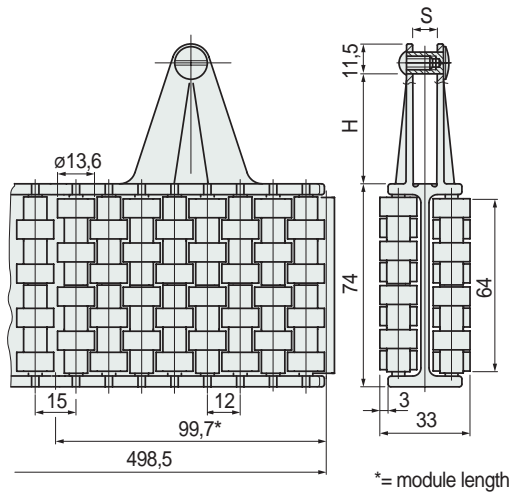


Part. S0557



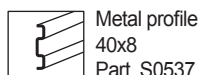
Sideflexing

Centre roller guide



| Version        | H mm | S mm | Code   | Weight kg/m |
|----------------|------|------|--------|-------------|
| For 30x6 plate | 30   | 6    | 603472 | 1,96        |
| For 40x8 plate | 40   | 8    | 603482 |             |

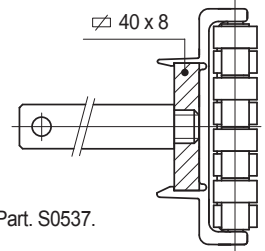
- Can be used in combination with Part. S0580.
- Material: frame in Acetal POM (black), rollers in Acetal POM (white).
- Min. curvature radius: 335 mm.
- Standard packaging: strands of 0,498 metres (5 modules).
- Packaging: 4,5 metres (9 strands).
- Accessories:



- **Use of Part. S0580 - S0557**  
For medium strength containers (tin cans, glass, strong aluminium cans).

- **Fixing of Part. S0580**  
Snap-on assembly / disassembly

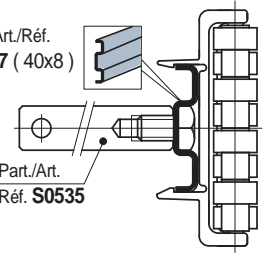
- Fixing with plate.



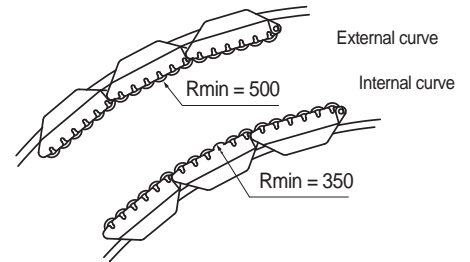
- Fixing with metal profile Part. S0537.

Part./Art./Réf.  
S0537 (40x8)

Part./Art.  
Réf. S0535

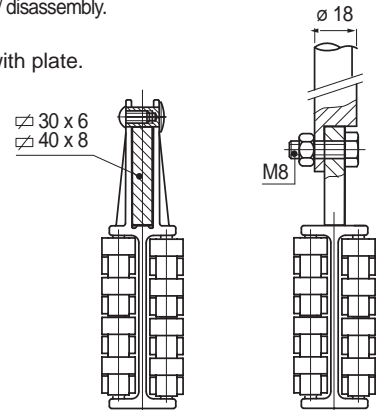


- **Min. curvature radius Part. S0580**



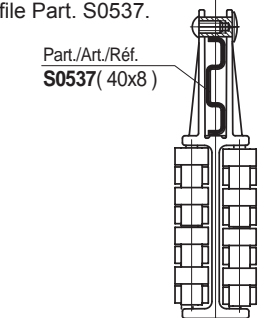
- **Fixing of Part. S0557**  
Assembly / disassembly.

- Fixing with plate.



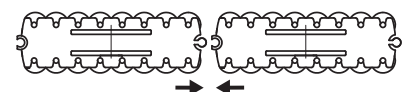
- Fixing with metal profile Part. S0537.

Part./Art./Réf.  
S0537(40x8)



- **Modular system Part. S0580 - S0557**

The guide consists of modules with snap-on assembly.



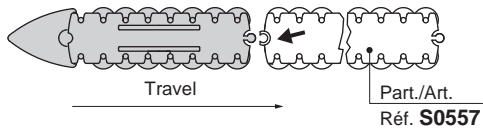
● Best Seller

● Standard

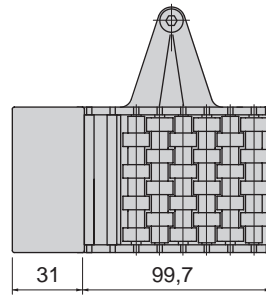
● On request: minimum quantity may apply. Consult our Customer Service for availability.

Item code for order = Part. + Code

- **Assembly of Part. S0570**  
Guide position (Part. S0557) to allow assembly with divider module.



■ **Divider module**



Part. S0570



| Version        | Code   | Weight<br>kg |
|----------------|--------|--------------|
| For 30x6 plate | 603532 | 0,24         |
| For 40x8 plate | 603542 |              |

- Material: frame in Acetal POM (black), rollers in Acetal POM (white). Separation block in polyethylene PE (black).
- Packaging: 2 pieces.

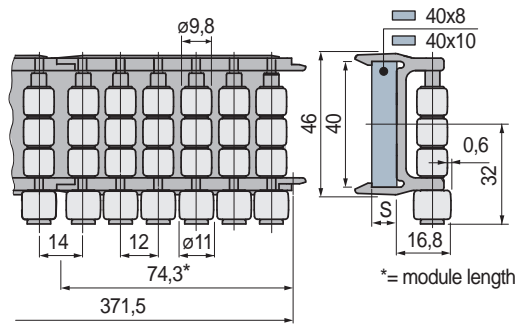
- **Best Seller**
- **Standard**
- **On request:** minimum quantity may apply. Consult our Customer Service for availability.

Item code for order = Part. + Code

Part. S0733



Roller side guide



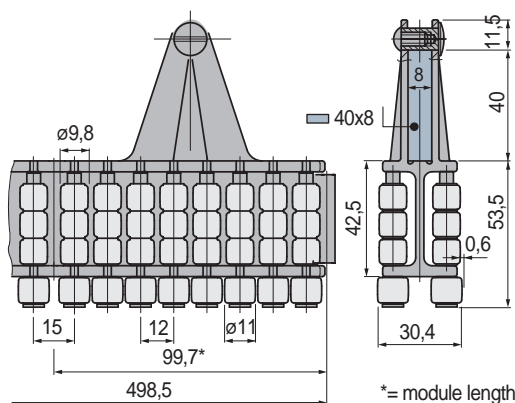
| Version         | S mm | Code   | Weight kg/m |
|-----------------|------|--------|-------------|
| For 40x8 plate  | 8    | 693512 | 0,61        |
| For 40x10 plate | 10   | 693522 |             |

- Material: frame in acetal POM (black). Rollers in Rex-Hp™ (grey).
- Standard packaging: strands of 0,371 metres (5 modules).
- Packaging: 4,5 metres (12 strands).
- Accessories:
  - Metal profile 40x8 Part. S0537

Part. S0721



Centre roller guide

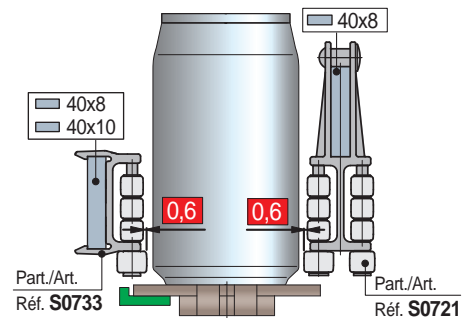


| Version        | Code   | Weight kg |
|----------------|--------|-----------|
| For 40x8 plate | 688602 | 1,24      |

- Material: frame in acetal POM (black). Rollers in Rex-Hp™ (grey).
- Min. curvature radius: 335 mm.
- Standard packaging: strands of 0,498 metres (5 modules).
- Packaging: 4,5 metres (9 strands).
- Accessories:
  - Divider module Part. S0730
  - Metal profile 40x8 Part. S0537

Use of Part.S0733 - S0721

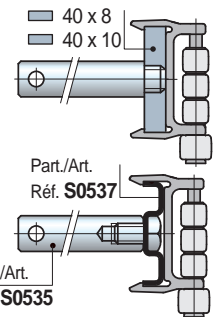
Ideal for thin walled cans and delicate containers. The contact between can and rollers takes place near the can bottom where it is stronger.



Fixing of Part. S0733

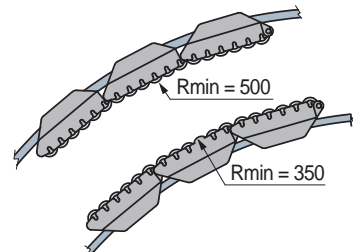
Snap-on assembly / disassembly.

Fixing with plate.

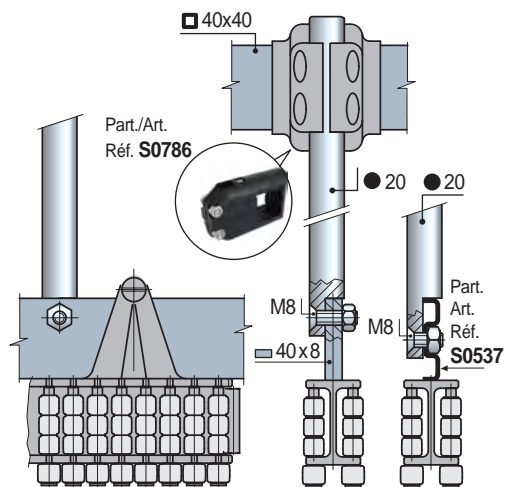


Fixing with metal profile Part. S0537.

Min. curvature radius Part. S0733

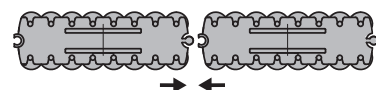


Fixing of Part. S0721



Modular system Part. S0733 - S0721

The guide consists of modules with snap-on assembly.



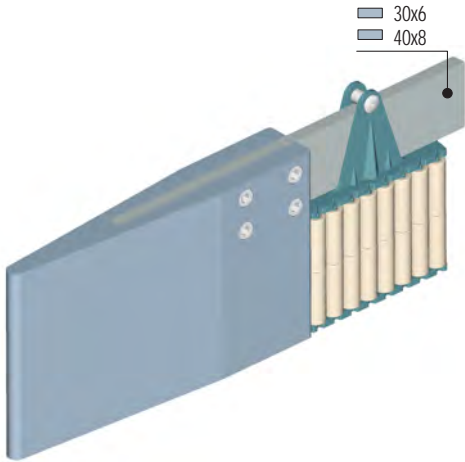
Best Seller

Standard

On request: minimum quantity may apply. Consult our Customer Service for availability.

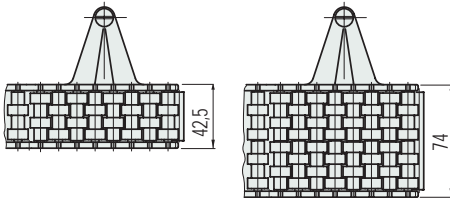
Item code for order = Part. + Code

- Use of Part. S0730  
Applicable to centre guides  
Part. S0557 - S0585 - S0605 - S0721.

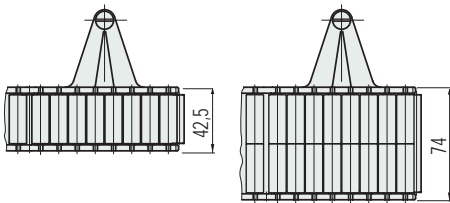


- Types of guides that can be used

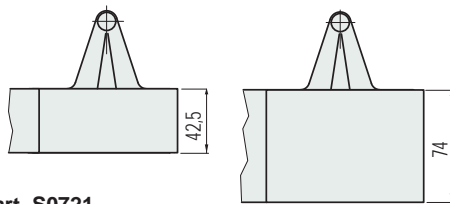
**Part. S0557**



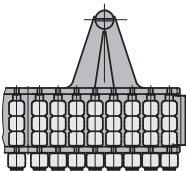
**Part. S0585**



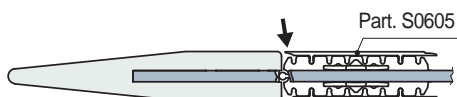
**Part. S0605**



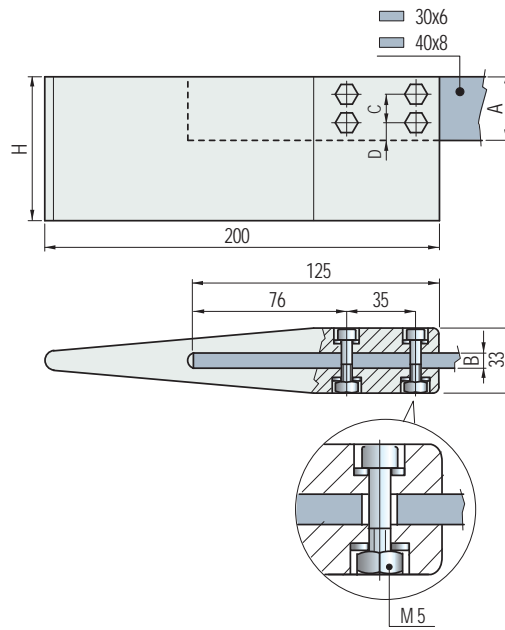
**Part. S0721**



Guide position (Part. S0605) to allow assembly with separation block.



**■ Divider module**



Part. S0730



| Plate dimensions |      | H  | C  | D  | Weight |
|------------------|------|----|----|----|--------|
| A x B            | Code | mm | mm | mm | Kg     |

**For Part. S0557 - S0585 - S0605 - S0721 (with height 42,5 mm)**

|      |        |      |    |      |     |
|------|--------|------|----|------|-----|
| 30x6 | 689882 | 72,5 | 15 | 7,5  | 0,4 |
| 40x8 | 689902 | 82,5 | 20 | 10,5 | 0,5 |

**For Part. S0557 - S0585 - S0605 (with height 74 mm)**

|      |        |     |    |      |     |
|------|--------|-----|----|------|-----|
| 30x6 | 689892 | 104 | 15 | 7,5  | 0,6 |
| 40x8 | 689912 | 114 | 20 | 10,5 | 0,7 |

- Material: separation block in Polyethylene PE (black). Tightening screw and self-locking nut in austenitic stainless steel.
- Packaging: 2 pieces.

- Best Seller
- Standard
- On request: minimum quantity may apply. Consult our Customer Service for availability.

Item code for order = Part. + Code



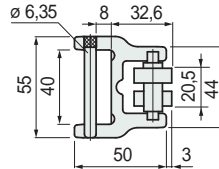
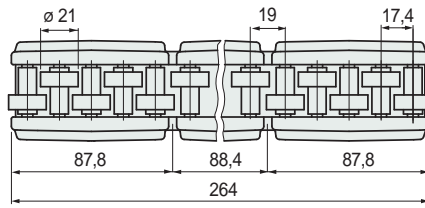
Part. S0628S

Roller side guide



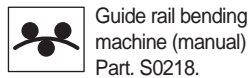
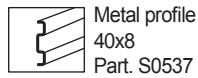
Sideflexing

PATENTED



| Version        | Code   | Weight kg |
|----------------|--------|-----------|
| For 40x8 plate | 671981 | 1,4       |

- Both straight and curved sections.
- Material: frame in polyamide PA (black).  
Rollers in acetal POM (white).  
Roller pins in ferritic stainless steel.  
Fixing pins in austenitic stainless steel.
- Standard packaging: strands of 0,264 metres.
- Packaging: 6,336 metres (24 strands).
- Accessories:

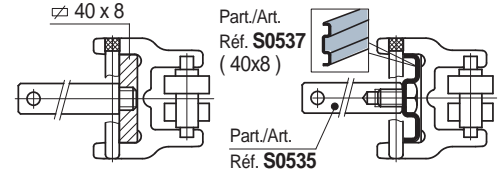


- **Use of Part. S0628 S**  
Rugged containers (ex cases, cartons).

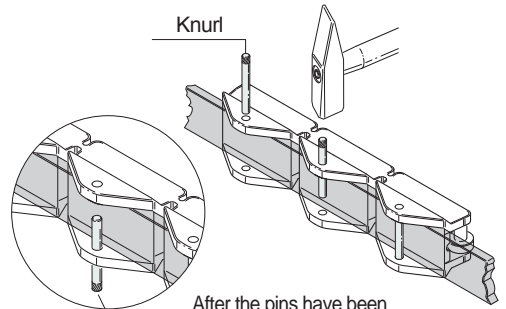
- **Fixing of Part. S0628 S**  
Assembly / disassembly

- Fixing with plate.

- Fixing with metal profile Part. S0537.

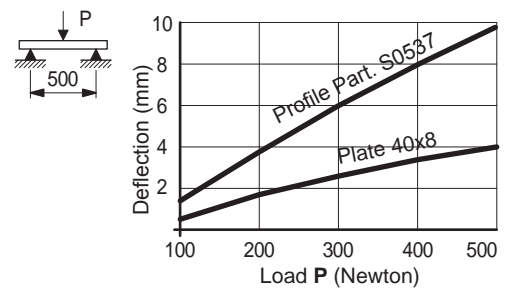


- **Assembly of Part. S0628 S**



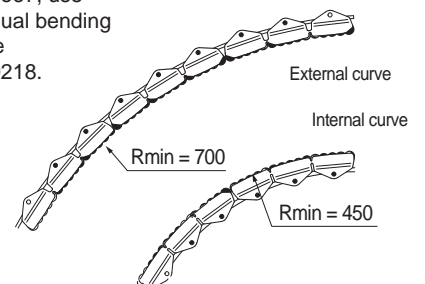
After the pins have been dismantled they should be inserted in the opposite direction to ensure proper fit in the module holes.

- **Deflection of Part. S0628 S**



- **Min curvature radius Part. S0628 S**

For quick bending of metal profile Part. S0537, use the manual bending machine Part. S0218.



● Best Seller

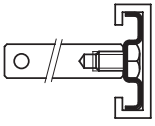
● Standard

● On request: minimum quantity may apply. Consult our Customer Service for availability.

Item code for order = Part. + Code

• Types of guides using our 40x8 metal profile.

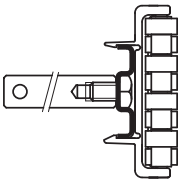
Part. S0539



Part. S0605



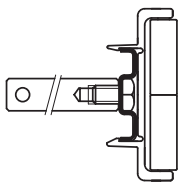
Part. S0580



Part. S0557



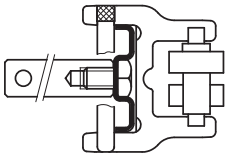
Part. S0581



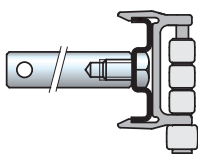
Part. S0585 - S0597



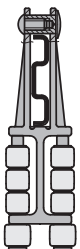
Part. S0628 S



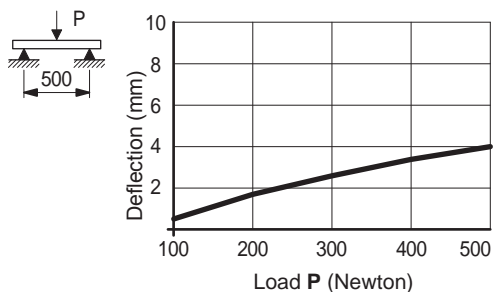
Part. S0733



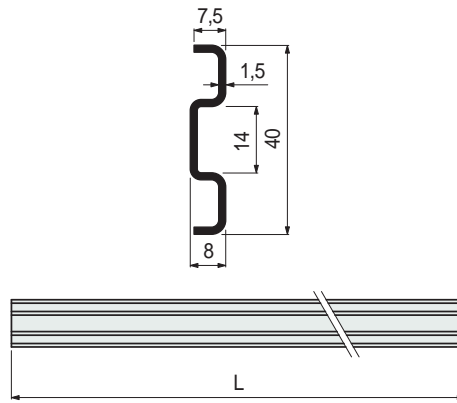
Part. S0721



• Deflection of Part. S0537



■ Metal profile 40x8

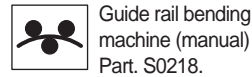


Part. S0537

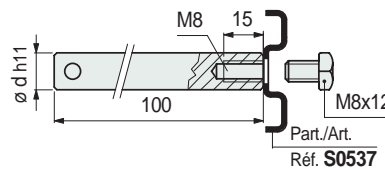


| Material                   | Length L mm | Code   |
|----------------------------|-------------|--------|
| Austenitic stainless steel | 3209        | 689231 |
|                            | 6425        | 689241 |

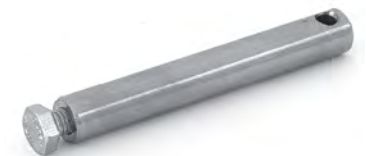
- Min. curvature radius: 500 mm.
- Weight: 0,72 Kg/m.
- Packaging: 19,25 metres (in 3209 mm length), 19,27 metres (in 6425 mm length).
- Accessories:



■ Bolts set



Part. S0535



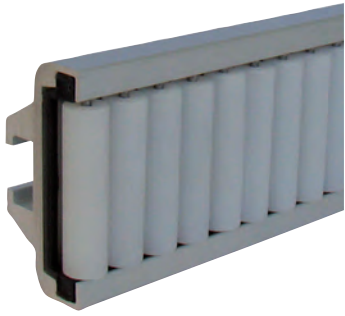
| pin dia. d mm | Code   | Weight kg/m |
|---------------|--------|-------------|
| 12            | 684641 | 0,12        |
| 14            | 684651 |             |

- Material: austenitic stainless steel.
- State of supply: complete with screw M8 x 12.
- Packaging: 24 pieces.

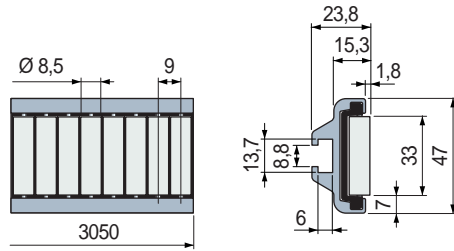
- Best Seller
- Standard
- On request: minimum quantity may apply. Consult our Customer Service for availability.

Item code for order = Part. + Code

Part. S0757



Roller side guides with cylinder rollers

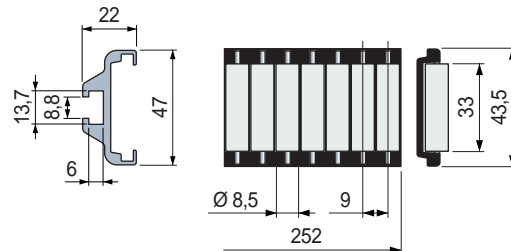


| Cylinder rollers material | Code   | Weight kg |
|---------------------------|--------|-----------|
| Polyethylene PE (white)   | 645083 | 1,20      |

- Material: metal profile in anodized aluminium, rollers module in acetal POM (black), roller pins in stainless steel.
- Standard packaging: strands 3,05 metres.
- Packaging: 2 strands.

The roller side guides can be supplied with separated components.

Metal profile      Cylinder roller module



| Length mm | Code   | Cylinder rollers material | Code   |
|-----------|--------|---------------------------|--------|
| 3050      | 607933 | Polyethylene PE (white)   | 644613 |
| 6100      | 607943 |                           |        |

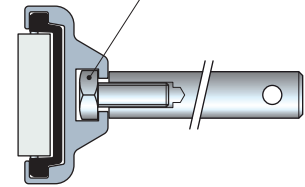
- Material: anodized aluminium.
- Weight: 0,85 Kg/m.
- Packaging: 1 strand.

Characteristics Part. S0757

- Self supporting structure.
- Anodized aluminium profile.
- Quick and easy installation by standard bolts.
- Can be used straight running and sideflexing.

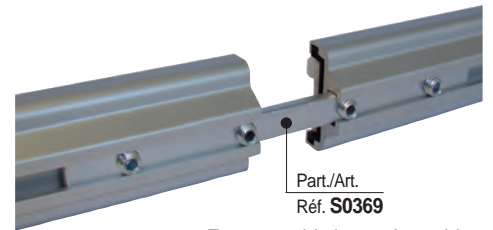
Assembly Part. S0757

M8 hex head bolt



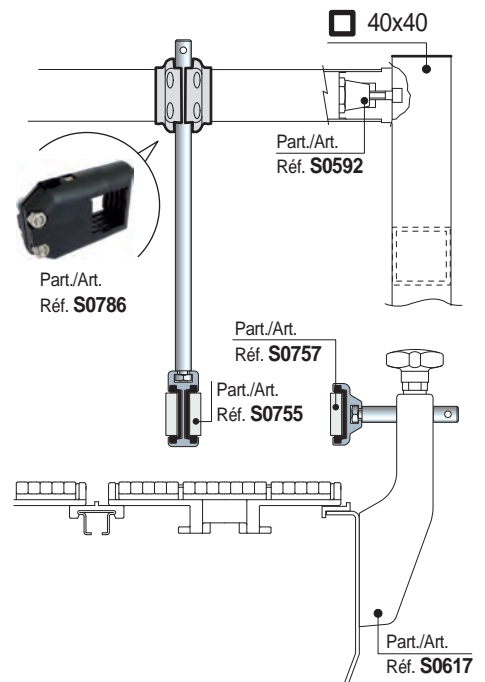
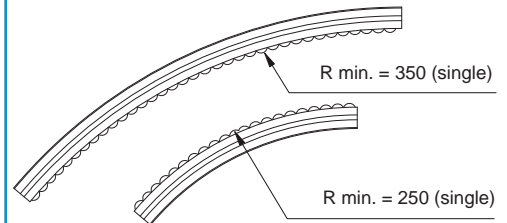
Accessories

Part. S0369 - Connecting bar



For assembly insert the guides and tighten the set screw.

Min. curvature radius Part. S0757



Best Seller

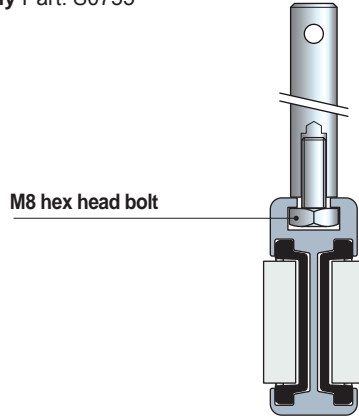
Standard

On request: minimum quantity may apply. Consult our Customer Service for availability.

Item code for order = Part. + Code

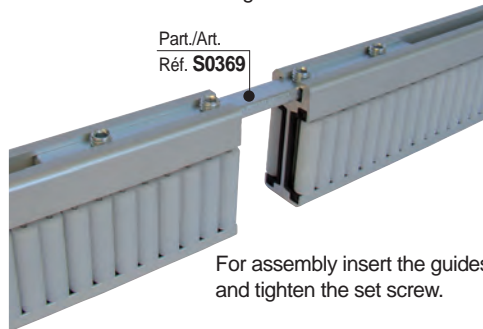
- **Characteristics** Part. S0755
  - Self supporting structure.
  - Anodized aluminium profile.
  - Quick and easy installation by standard bolts.
  - Can be used straight running and sideflexing.

• **Assembly** Part. S0755

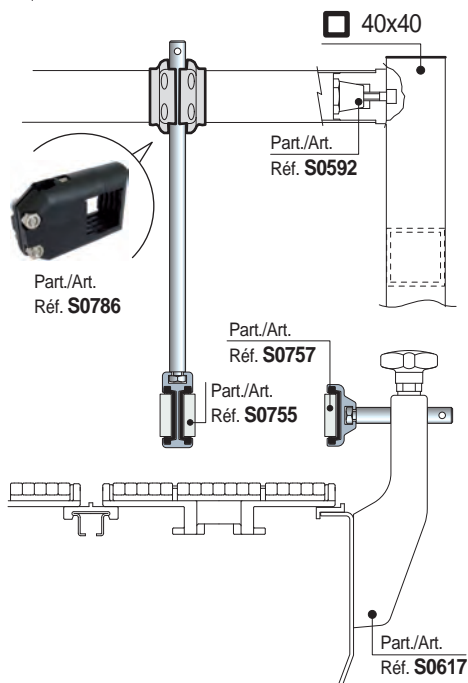
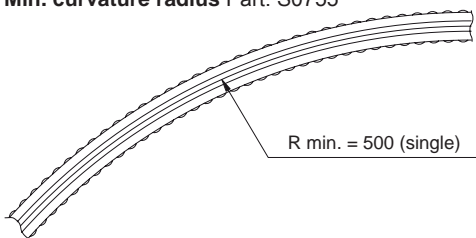


• **Accessories**

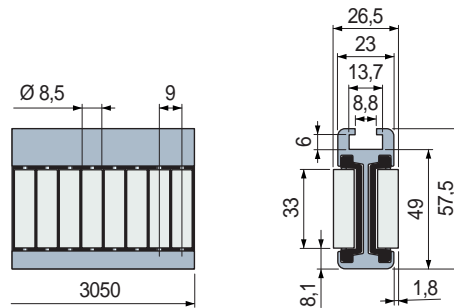
Part. S0369 - Connecting bar



• **Min. curvature radius** Part. S0755



■ **Centre guide with cylinder rollers**



Part. S0755



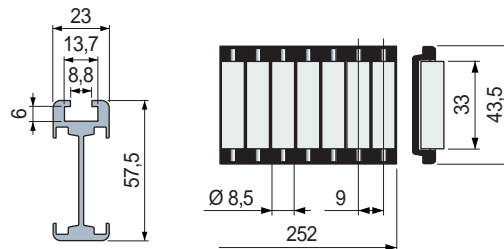
| Cylinder rollers material | Code   | Weight kg |
|---------------------------|--------|-----------|
| Polyethylene PE (white)   | 645103 | 1,75      |

- Material: metal profile in anodized aluminium, rollers module in acetal POM (black), roller pins in stainless steel.
- Standard packaging: strands 3,05 metres.
- Packaging: 2 strands.

The roller side guides can be supplied with separated components.

**Metal profile**

**Cylinder roller module**



| Length mm | Code   | Cylinder rollers material | Code   |
|-----------|--------|---------------------------|--------|
| 3050      | 607893 | Polyethylene PE (white)   | 644613 |
| 6100      | 607903 |                           |        |

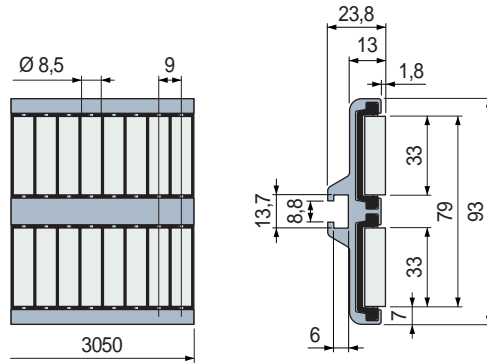
- Material: anodized aluminium.
- Weight: 1,08 Kg/m.
- Packaging: 1 strand.

- **Best Seller**
- **Standard**
- **On request:** minimum quantity may apply. Consult our Customer Service for availability.

Item code for order = Part. + Code

Part. S0757

Roller side guides with cylinder rollers



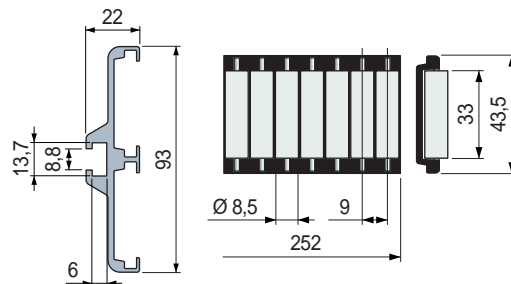
| Cylinder rollers material | Code   | Weight kg |
|---------------------------|--------|-----------|
| Polyethylene PE (white)   | 645093 | 2,00      |

- Material: metal profile in anodized aluminium, rollers module in acetal POM (black), roller pins in stainless steel.
- Standard packaging: strands 3,05 metres.
- Packaging: 2 strands.

The roller side guides can be supplied with separated components.

Metal profile

Cylinder roller module



| Length mm | Code   | Cylinder rollers material | Code   |
|-----------|--------|---------------------------|--------|
| 3050      | 607953 | Polyethylene PE (white)   | 644613 |
| 6100      | 607963 |                           |        |

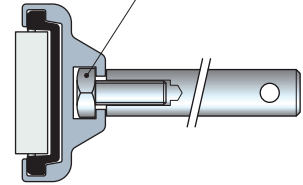
- Material: anodized aluminium.
- Weight: 1,36 Kg/m.
- Packaging: 1 strand.

Characteristics Part. S0757

- Self supporting structure.
- Anodized aluminium profile.
- Quick and easy installation by standard bolts.
- Can be used straight running and sideflexing.

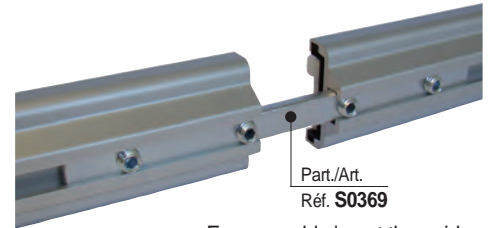
Assembly Part. S0757

M8 hex head bolt



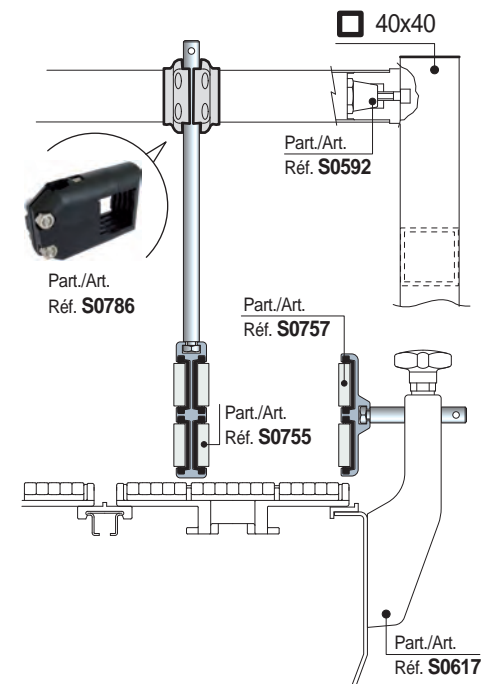
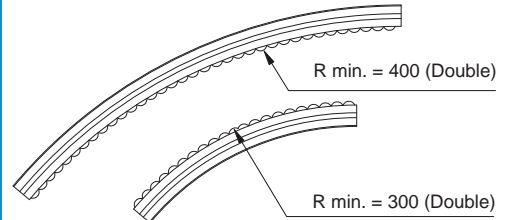
Accessories

Part. S0369 - Connecting bar



For assembly insert the guides and tighten the set screw.

Min. curvature radius Part. S0757



Best Seller

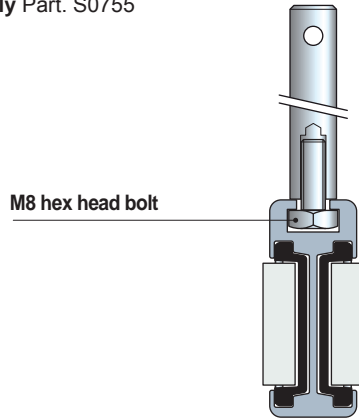
Standard

On request: minimum quantity may apply. Consult our Customer Service for availability.

Item code for order = Part. + Code

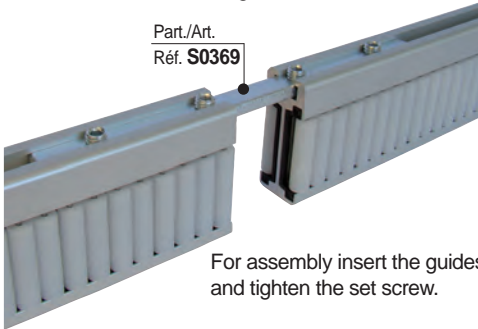
- **Characteristics** Part. S0755
  - Self supporting structure.
  - Anodized aluminium profile.
  - Quick and easy installation by standard bolts.
  - Can be used straight running and sideliflexing.

• **Assembly** Part. S0755



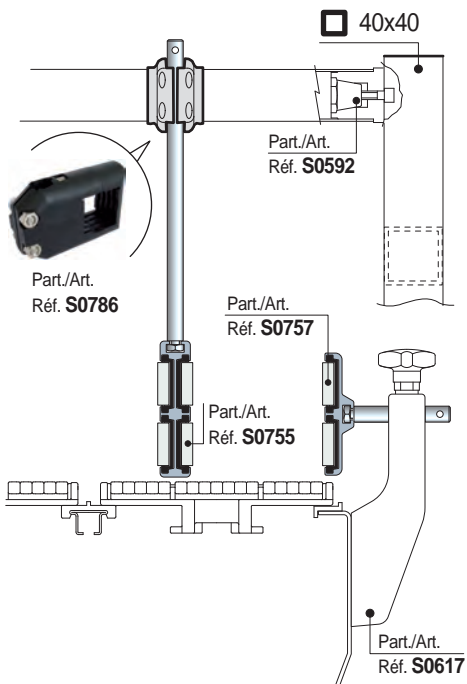
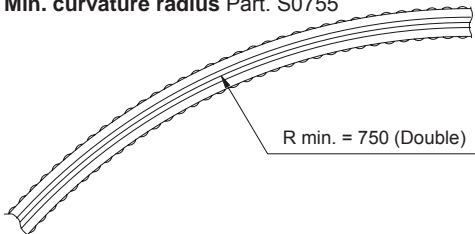
• **Accessories**

Part. S0369 - Connecting bar

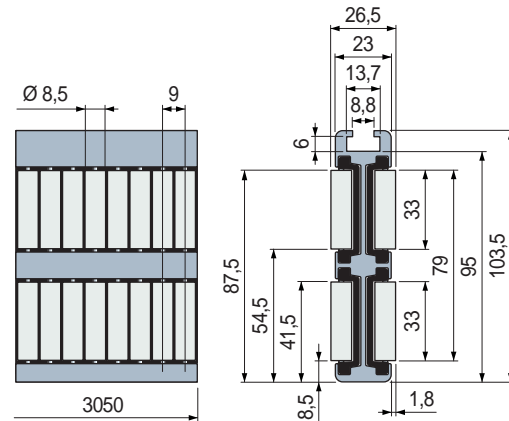


For assembly insert the guides and tighten the set screw.

• **Min. curvature radius** Part. S0755



■ **Centre guide with cylinder rollers**



| Cylinder rollers material | Code   | Weight kg |
|---------------------------|--------|-----------|
| Polyethylene PE (white)   | 645113 | 3,00      |

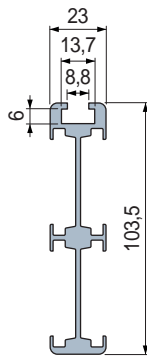
- Material: metal profile in anodized aluminium, rollers module in acetal POM (black), roller pins in stainless steel.
- Standard packaging: strands 3,05 metres.
- Packaging: 2 strands.

Part. S0755



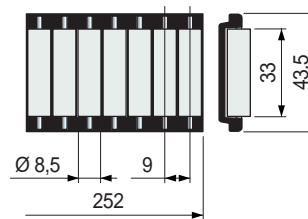
The roller side guides can be supplied with separated components.

**Metal profile**



| Length mm | Code   |
|-----------|--------|
| 3050      | 607913 |
| 6100      | 607923 |

**Cylinder roller module**



| Cylinder rollers material | Code   |
|---------------------------|--------|
| Polyethylene PE (white)   | 644613 |

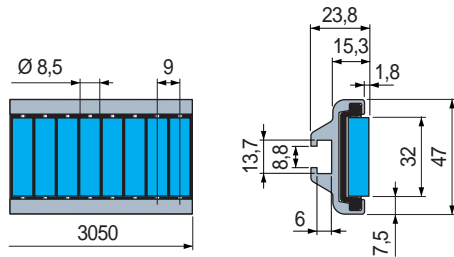
- Material: anodized aluminium.
- Weight: 1,70 Kg/m.
- Packaging: 1 strand.

- **Best Seller**
- **Standard**
- **On request:** minimum quantity may apply. Consult our Customer Service for availability.

Item code for order = Part. + Code

Part. S0868

■ Roller side guides with cylinder rollers



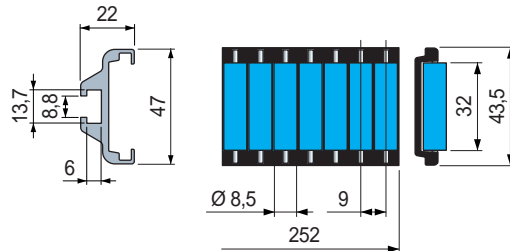
| Cylinder rollers material | Code   | Weight kg |
|---------------------------|--------|-----------|
| SEBS rubber (Blue)        | 647573 | 1,20      |

- Material: metal profile in anodized aluminium, rollers module in acetal POM (black), roller pins in stainless steel.
- Standard packaging: strands 3,05 metres.
- Packaging: 2 strands.

The roller side guides can be supplied with separated components.

**Metal profile**

**Cylinder roller module**



| Length mm | Code   | Cylinder rollers material | Code   |
|-----------|--------|---------------------------|--------|
| 3050      | 607933 | SEBS rubber (Blue)        | 646523 |
| 6100      | 607943 |                           |        |

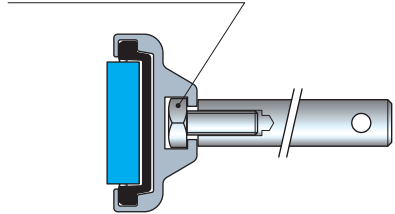
- Material: anodized aluminium.
- Weight: 0,85 Kg/m.
- Packaging: 1 strand.

• **Characteristics** Part. S0868

- Self supporting structure.
- Anodized aluminium profile.
- Quick and easy installation by standard bolts.
- Can be used straight running and sideflexing.

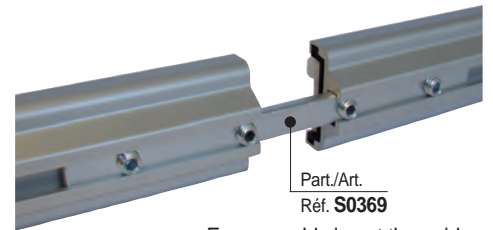
• **Assembly** Part. S0868

**M8 hex head bolt**



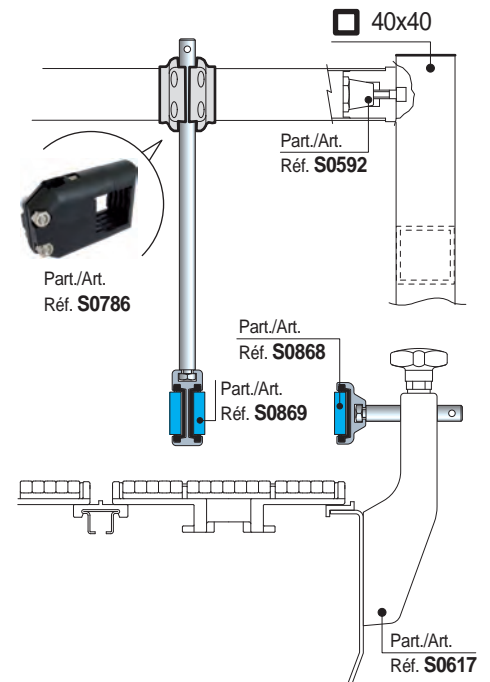
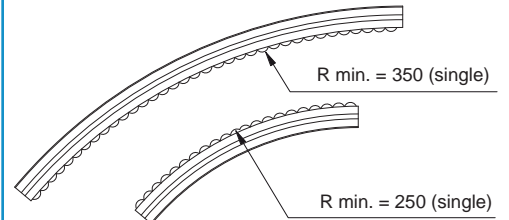
• **Accessories**

Part. S0369 - Connecting bar



For assembly insert the guides and tighten the set screw.

• **Min. curvature radius** Part. S0868



● Best Seller

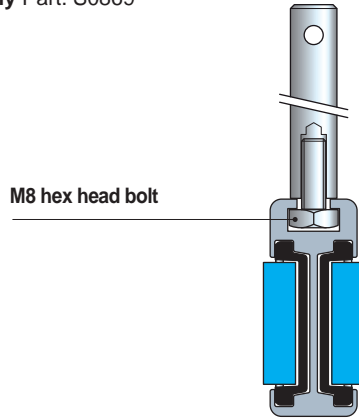
● Standard

● On request: minimum quantity may apply. Consult our Customer Service for availability.

Item code for order = Part. + Code

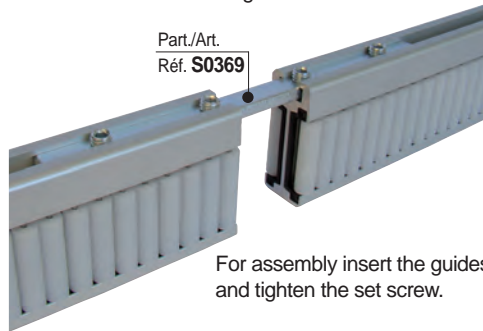
- **Characteristics** Part. S0869
  - Self supporting structure.
  - Anodized aluminium profile.
  - Quick and easy installation by standard bolts.
  - Can be used straight running and sideflexing.

• **Assembly** Part. S0869

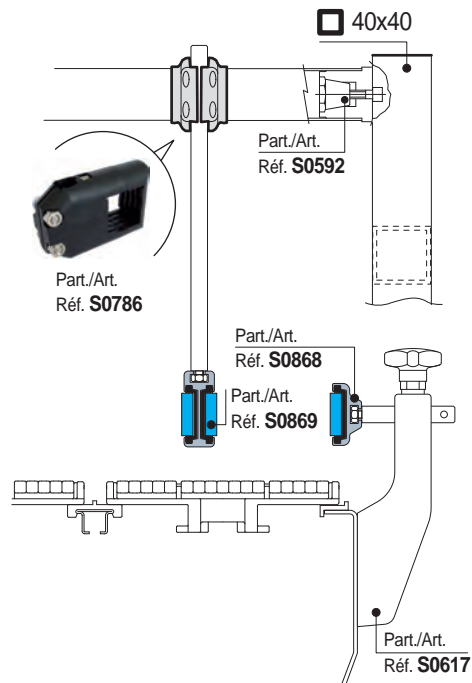
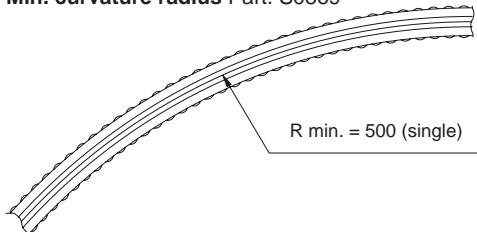


• **Accessories**

Part. S0369 - Connecting bar

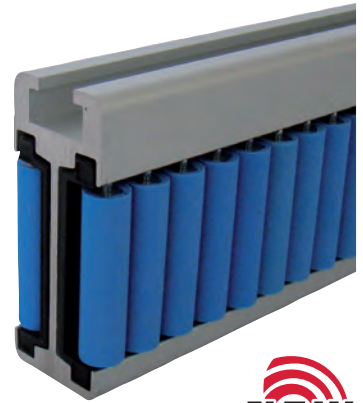
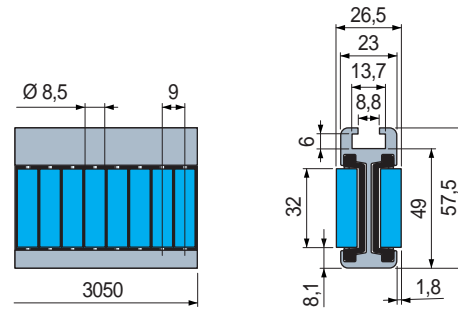


• **Min. curvature radius** Part. S0869



■ **Centre guide with cylinder rollers**

Part. S0869



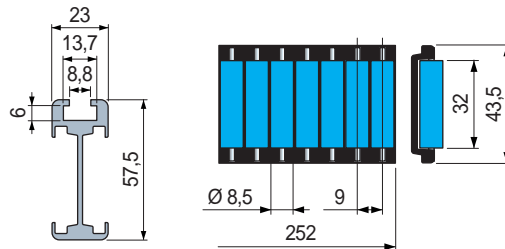
| Cylinder rollers material | Code   | Weight kg |
|---------------------------|--------|-----------|
| SEBS rubber (Blue)        | 647583 | 1,75      |

- Material: metal profile in anodized aluminium, rollers module in acetal POM (black), roller pins in stainless steel.
- Standard packaging: strands 3,05 metres.
- Packaging: 2 strands.

The roller side guides can be supplied with separated components.

**Metal profile**

**Cylinder roller module**



| Length mm | Code   | Cylinder rollers material | Code   |
|-----------|--------|---------------------------|--------|
| 3050      | 607893 | SEBS rubber (Blue)        | 646523 |
| 6100      | 607903 |                           |        |

- Material: anodized aluminium.
- Weight: 1,08 Kg/m.
- Packaging: 1 strand.

- **Best Seller**
- **Standard**
- **On request:** minimum quantity may apply. Consult our Customer Service for availability.

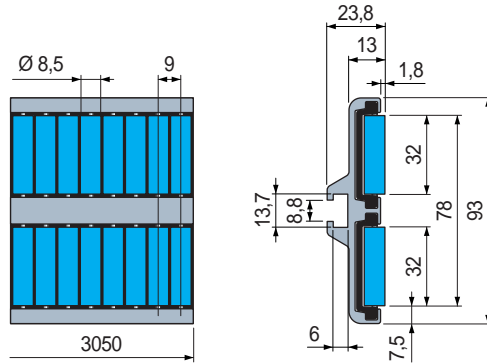
Item code for order = Part. + Code



Part. S0868



Roller side guides with cylinder rollers

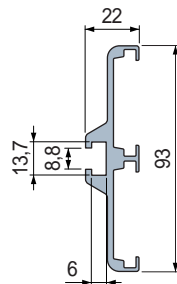


| Cylinder rollers material | Code   | Weight kg |
|---------------------------|--------|-----------|
| SEBS rubber (blue)        | 647593 | 2,00      |

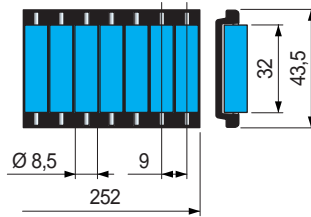
- Material: metal profile in anodized aluminium, rollers module in acetal POM (black), roller pins in stainless steel.
- Standard packaging: strands 3,05 metres.
- Packaging: 2 strands.

The roller side guides can be supplied with separated components.

Metal profile



Cylinder roller module



| Length mm | Code   | Cylinder rollers material | Code   |
|-----------|--------|---------------------------|--------|
| 3050      | 607953 | SEBS rubber (blue)        | 646523 |
| 6100      | 607963 |                           |        |

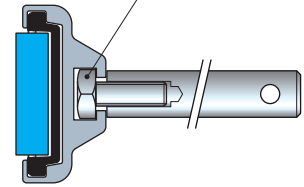
- Material: anodized aluminium.
- Weight: 1,36 Kg/m.
- Packaging: 1 strand.

Characteristics Part. S0868

- Self supporting structure.
- Anodized aluminium profile.
- Quick and easy installation by standard bolts.
- Can be used straight running and sideflexing.

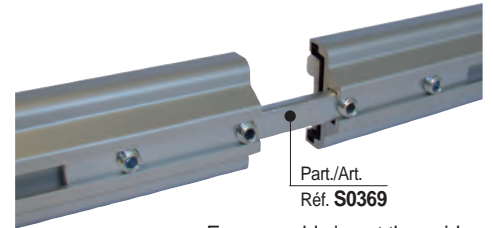
Assembly Part. S0868

M8 hex head bolt



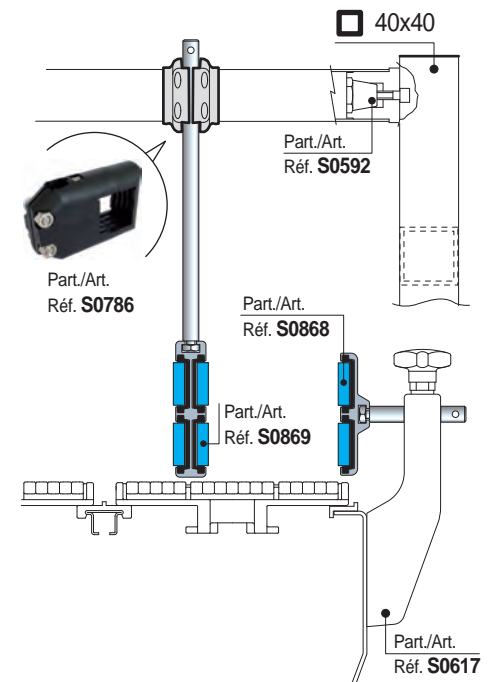
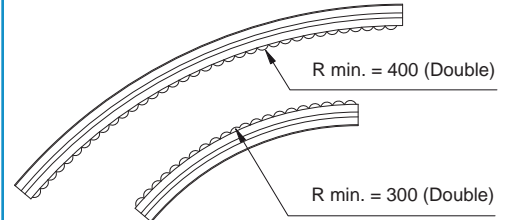
Accessories

Part. S0369 - Connecting bar



For assembly insert the guides and tighten the set screw.

Min. curvature radius Part. S0868



Best Seller

Standard

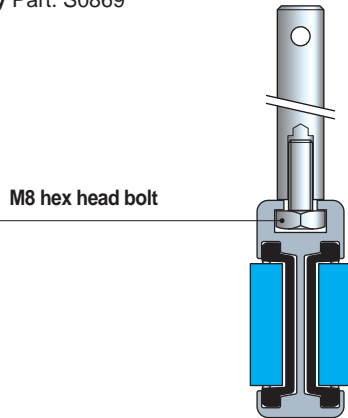
On request: minimum quantity may apply. Consult our Customer Service for availability.

Item code for order = Part. + Code

Part. S0869

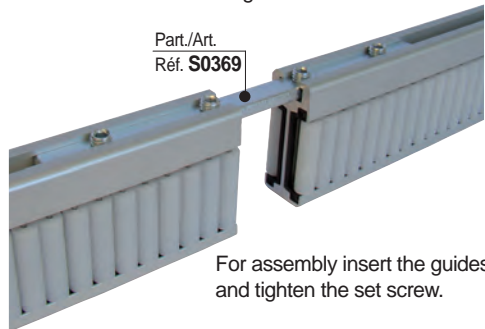
- **Characteristics** Part. S0869
  - Self supporting structure.
  - Anodized aluminium profile.
  - Quick and easy installation by standard bolts.
  - Can be used straight running and sideliflexing.

• **Assembly** Part. S0869

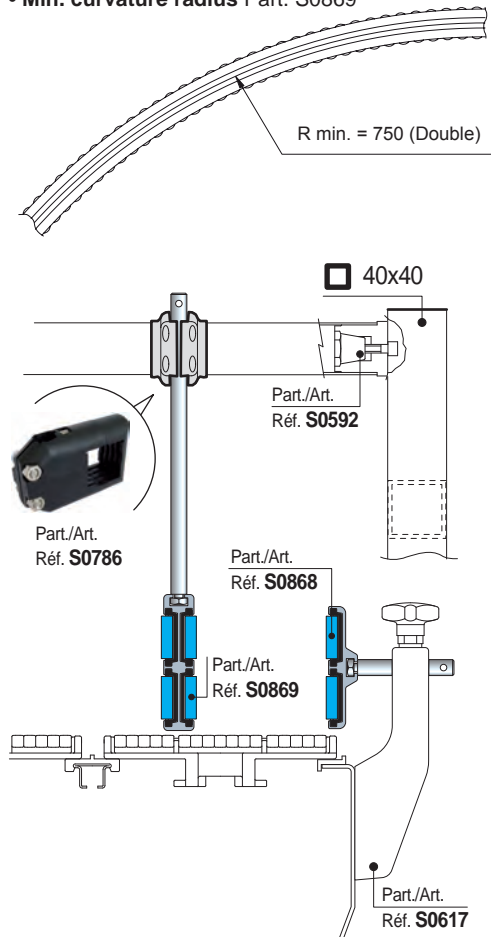


• **Accessories**

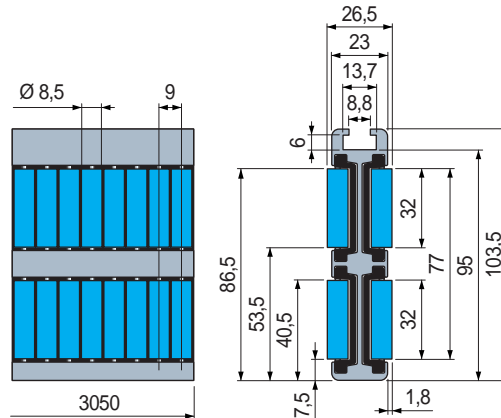
Part. S0369 - Connecting bar



• **Min. curvature radius** Part. S0869



■ **Centre guide with cylinder rollers**



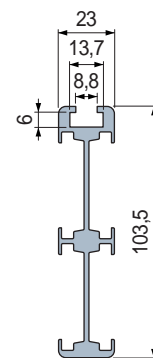
| Cylinder rollers material | Code   | Weight kg |
|---------------------------|--------|-----------|
| SEBS rubber (blue)        | 647603 | 3,00      |

- Material: metal profile in anodized aluminium, rollers module in acetal POM (black), roller pins in stainless steel.
- Standard packaging: strands 3,05 metres.
- Packaging: 2 strands.

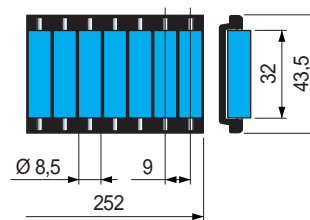


The roller side guides can be supplied with separated components.

**Metal profile**



**Cylinder roller module**



| Length mm | Code   | Cylinder rollers material | Code   |
|-----------|--------|---------------------------|--------|
| 3050      | 607913 | SEBS rubber (blue)        | 646523 |
| 6100      | 607923 |                           |        |

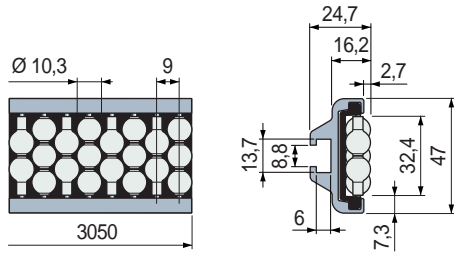
- Material: anodized aluminium.
- Weight: 1,08 Kg/m.
- Packaging: 1 strand.

- **Best Seller**
- **Standard**
- **On request:** minimum quantity may apply. Consult our Customer Service for availability.

Item code for order = Part. + Code

Part. S0756

■ Pearl roller side guide



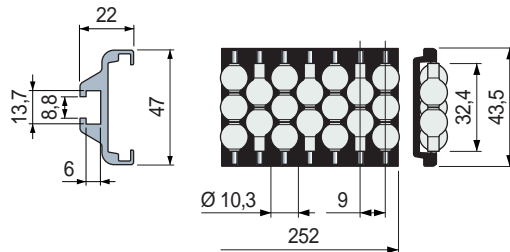
| Pearl material              | Code          | Weight kg |
|-----------------------------|---------------|-----------|
| Polyethylene PE (Aubergine) | <b>645123</b> | 1,15      |
| Polyethylene PE (white)     | <b>645133</b> |           |

- Material: metal profile in anodized aluminium, rollers module in acetal POM (black), roller pins in stainless steel.
- Standard packaging: strands 3,05 metres.
- Packaging: 2 strands.

The roller side guides can be supplied with separated components.

Metal profile

Pearls module



| Length mm | Code          | Pearl material              | Code          |
|-----------|---------------|-----------------------------|---------------|
| 3050      | <b>607933</b> | Polyethylene PE (Aubergine) | <b>644653</b> |
| 6100      | <b>607943</b> | Polyethylene PE (white)     | <b>644633</b> |

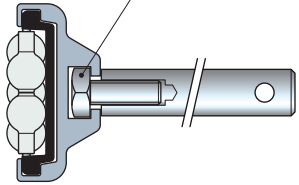
- Material: anodized aluminium.
- Weight: 0,85 Kg/m.
- Packaging: 1 strand.

• Characteristics Part. S0756

- Self supporting structure.
- Anodized aluminium profile.
- Quick and easy installation by standard bolts.
- Can be used straight running and sideflexing.

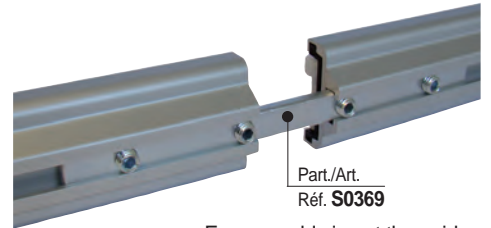
• Assembly Part. S0756

M8 hex head bolt



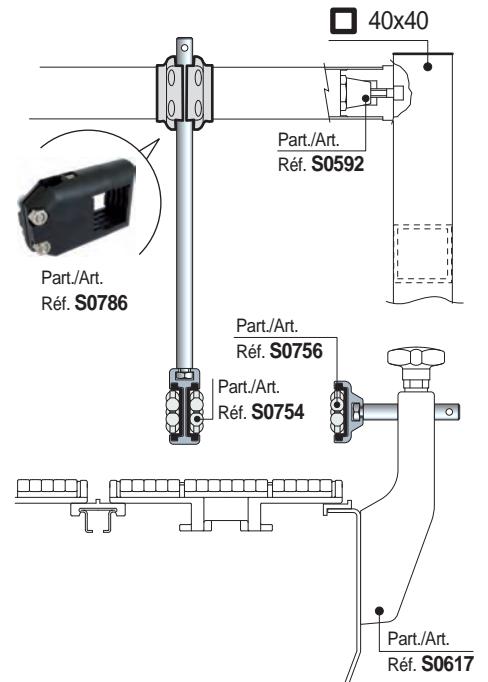
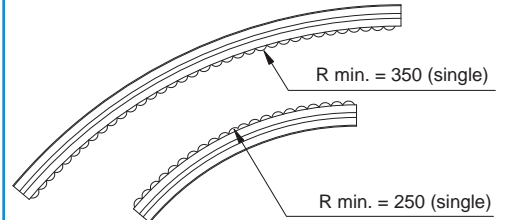
• Accessories

Part. S0369 - Connecting bar



For assembly insert the guides and tighten the set screw.

• Min. curvature radius Part. S0756



● Best Seller

● Standard

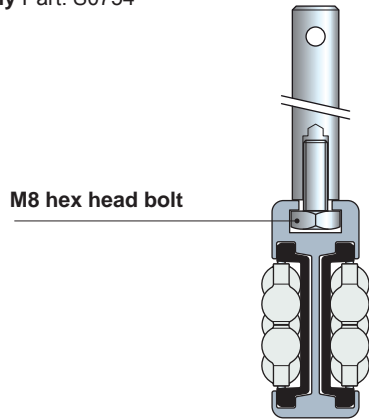
● On request: minimum quantity may apply. Consult our Customer Service for availability.

Item code for order = Part. + Code

Part. S0754

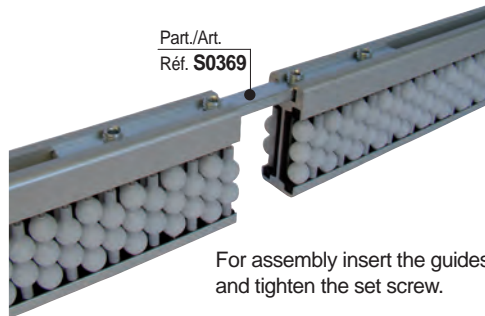
- **Characteristics** Part. S0754
  - Self supporting structure.
  - Anodized aluminium profile.
  - Quick and easy installation by standard bolts.
  - Can be used straight running and sideflexing.

• **Assembly** Part. S0754

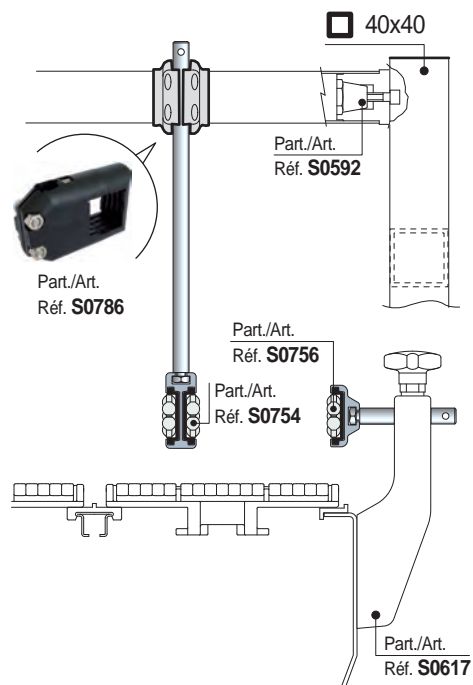
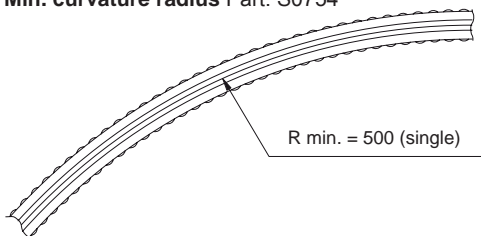


• **Accessories**

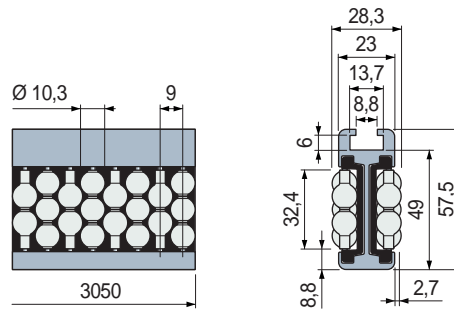
Part. S0369 - Connecting bar



• **Min. curvature radius** Part. S0754



■ Pearls roller centre guide



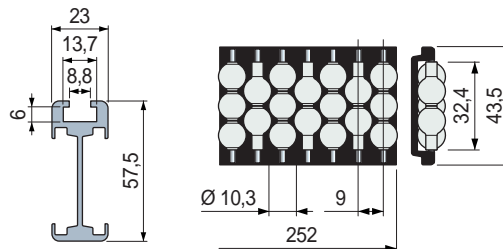
| Pearl material              | Code   | Weight kg |
|-----------------------------|--------|-----------|
| Polyethylene PE (Aubergine) | 645163 | 1,70      |
| Polyethylene PE (white)     | 645173 |           |

- Material: metal profile in anodized aluminium, rollers module in acetal POM (black), roller pins in stainless steel.
- Standard packaging: strands 3,05 metres.
- Packaging: 2 strands.

The roller side guides can be supplied with separated components.

**Metal profile**

**Pearls module**



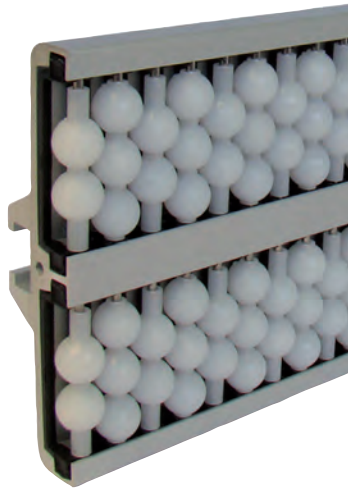
| Length mm | Code   | Pearl material              | Code   |
|-----------|--------|-----------------------------|--------|
| 3050      | 607893 | Polyethylene PE (Aubergine) | 644653 |
| 6100      | 607903 | Polyethylene PE (white)     | 644633 |

- Material: anodized aluminium.
- Weight: 1,08 Kg/m.
- Packaging: 1 strand.

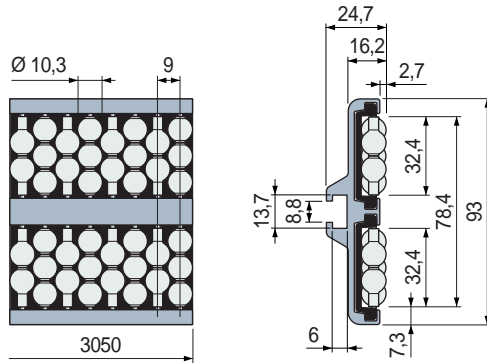
- **Best Seller**
- **Standard**
- **On request:** minimum quantity may apply. Consult our Customer Service for availability.

Item code for order = Part. + Code

Part. S0756



■ Pearl roller side guide

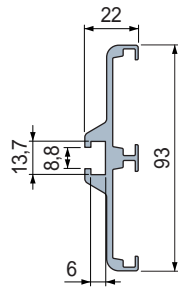


| Pearl material              | Code          | Weight kg |
|-----------------------------|---------------|-----------|
| Polyethylene PE (Aubergine) | <b>645143</b> | 1,95      |
| Polyethylene PE (white)     | <b>645153</b> |           |

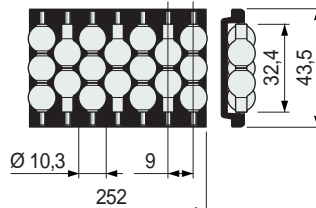
- Material: metal profile in anodized aluminium, rollers module in acetal POM (black), roller pins in stainless steel.
- Standard packaging: strands 3,05 metres.
- Packaging: 2 strands.

The roller side guides can be supplied with separated components.

Metal profile



Pearls module



| Length mm | Code          | Pearl material              | Code          |
|-----------|---------------|-----------------------------|---------------|
| 3050      | <b>607953</b> | Polyethylene PE (Aubergine) | <b>644653</b> |
| 6100      | <b>607963</b> | Polyethylene PE (white)     | <b>644633</b> |

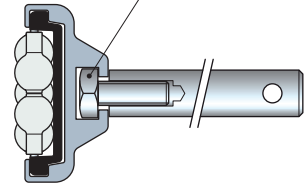
- Material: anodized aluminium.
- Weight: 1,36 Kg/m.
- Packaging: 1 strand.

• Characteristics Part. S0756

- Self supporting structure.
- Anodized aluminium profile.
- Quick and easy installation by standard bolts.
- Can be used straight running and sideflexing.

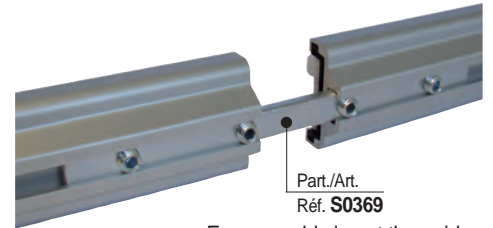
• Assembly Part. S0756

M8 hex head bolt



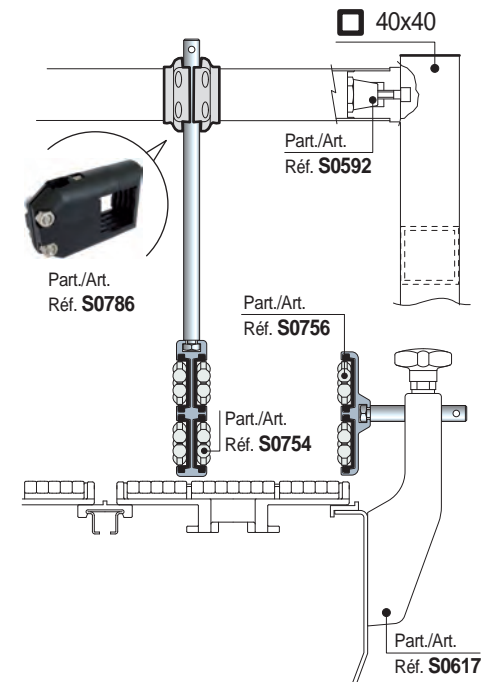
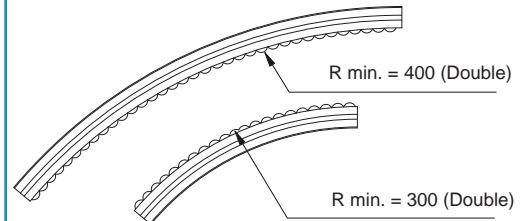
• Accessories

Part. S0369 - Connecting bar



For assembly insert the guides and tighten the set screw.

• Min. curvature radius Part. S0756



● Best Seller

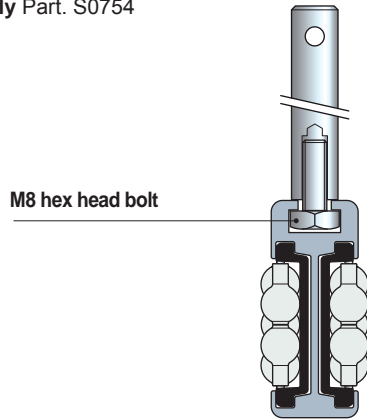
● Standard

● On request: minimum quantity may apply. Consult our Customer Service for availability.

Item code for order = Part. + Code

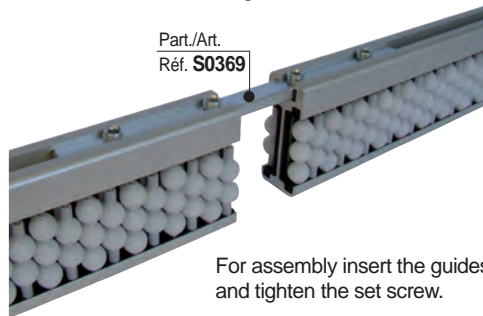
- **Characteristics** Part. S0754
  - Self supporting structure.
  - Anodized aluminium profile.
  - Quick and easy installation by standard bolts.
  - Can be used straight running and sideliflexing.

• **Assembly** Part. S0754

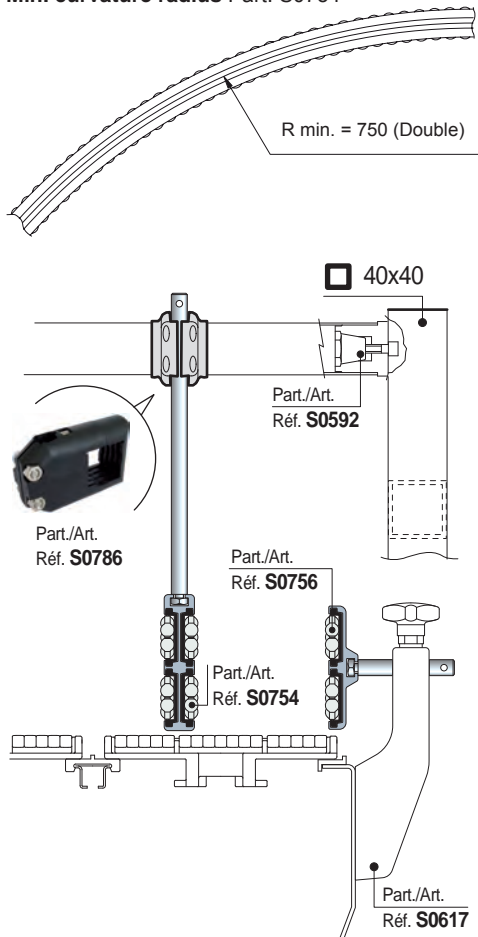


• **Accessories**

Part. S0369 - Connecting bar

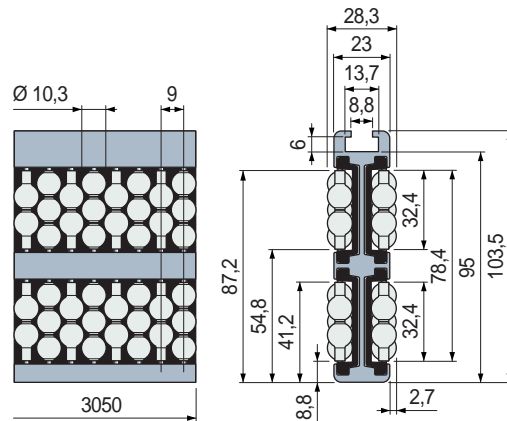


• **Min. curvature radius** Part. S0754



■ **Pearls roller centre guide**

Part. S0754



| Pearl material              | Code          | Weight kg |
|-----------------------------|---------------|-----------|
| Polyethylene PE (Aubergine) | <b>645183</b> | 2,90      |
| Polyethylene PE (white)     | <b>645193</b> |           |

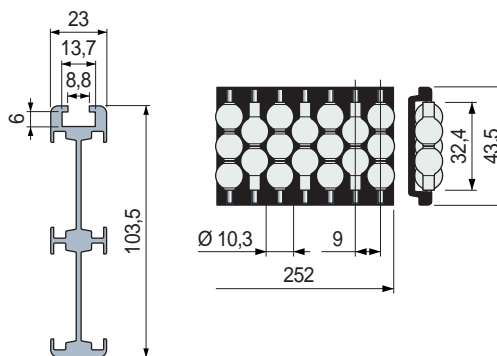
- Material: metal profile in anodized aluminium, rollers module in acetal POM (black), roller pins in stainless steel.
- Standard packaging: strands 3,05 metres.
- Packaging: 2 strands.



The roller side guides can be supplied with separated components.

**Metal profile**

**Pearls module**



| Length mm | Code          | Pearl material              | Code          |
|-----------|---------------|-----------------------------|---------------|
| 3050      | <b>607913</b> | Polyethylene PE (Aubergine) | <b>644653</b> |
| 6100      | <b>607923</b> | Polyethylene PE (white)     | <b>644633</b> |

- Material: anodized aluminium.
- Weight: 1,70 Kg/m.
- Packaging: 1 strand.

● **Best Seller**

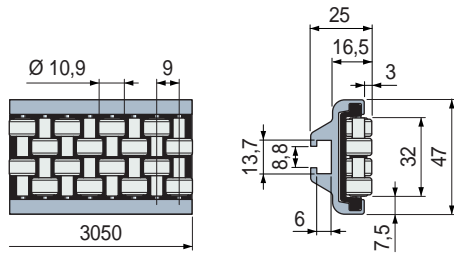
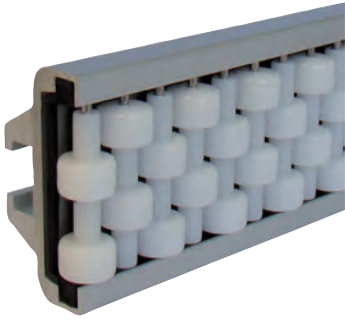
● **Standard**

● **On request:** minimum quantity may apply. Consult our Customer Service for availability.

Item code for order = Part. + Code

Part. S0856

■ Roller side guides

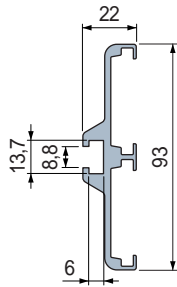


| Rollers material   | Code   | Weight kg |
|--------------------|--------|-----------|
| Acetal POM (white) | 645203 | 1,20      |

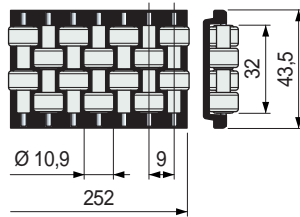
- Material: metal profile in anodized aluminium, rollers module in acetal POM (black), roller pins in stainless steel.
- Standard packaging: strands 3,05 metres.
- Packaging: 2 strands.

The roller side guides can be supplied with separated components.

Metal profile



Roller module



| Length mm | Code   | Rollers material   | Code   |
|-----------|--------|--------------------|--------|
| 3050      | 607933 | Acetal POM (white) | 644673 |
| 6100      | 607943 |                    |        |

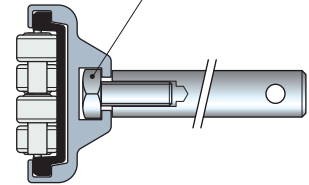
- Material: anodized aluminium.
- Weight: 0,85 Kg/m.
- Packaging: 1 strand.

• Characteristics Part. S0856

- Self supporting structure.
- Anodized aluminium profile.
- Quick and easy installation by standard bolts.
- Can be used straight running and sideliflexing.

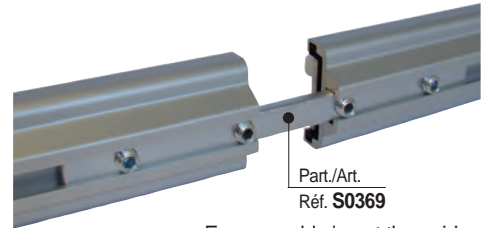
• Assembly Part. S0856

M8 hex head bolt



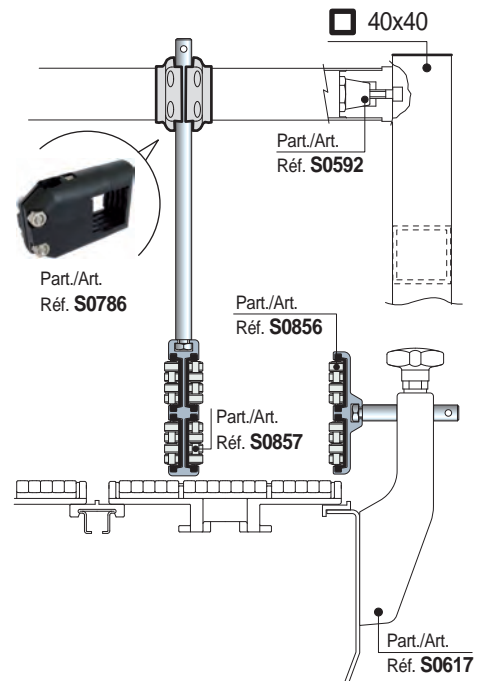
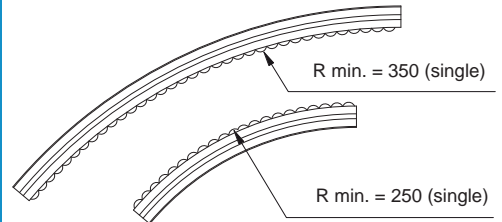
• Accessories

Part. S0369 - Connecting bar



For assembly insert the guides and tighten the set screw.

• Min. curvature radius Part. S0856



● Best Seller

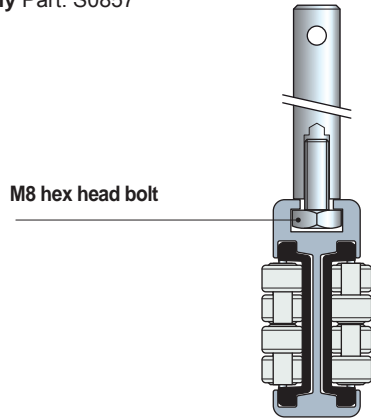
● Standard

● On request: minimum quantity may apply. Consult our Customer Service for availability.

Item code for order = Part. + Code

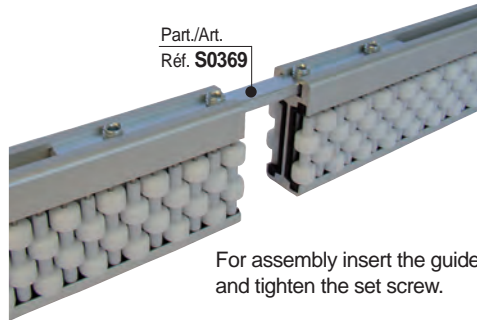
- **Characteristics** Part. S0857
  - Self supporting structure.
  - Anodized aluminium profile.
  - Quick and easy installation by standard bolts.
  - Can be used straight running and sideflexing.

• **Assembly** Part. S0857

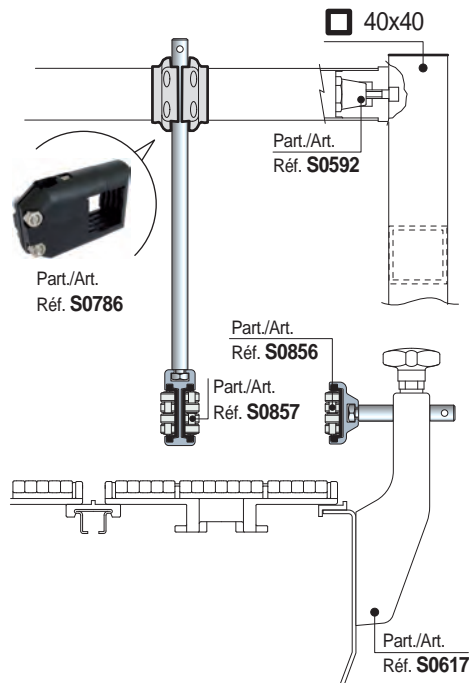
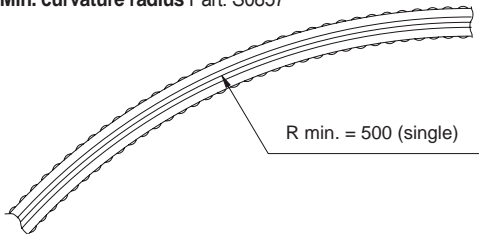


• **Accessories**

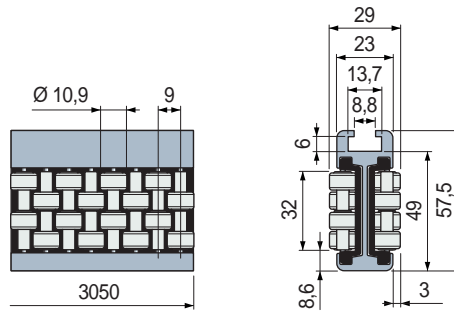
Part. S0369 - Connecting bar



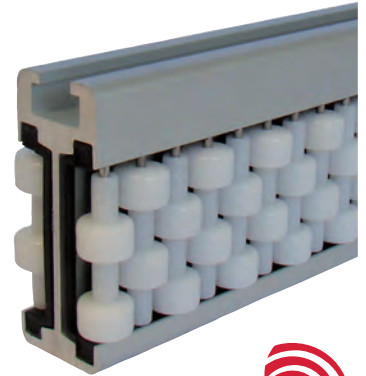
• **Min. curvature radius** Part. S0857



■ **Roller centre guides**



Part. S0857



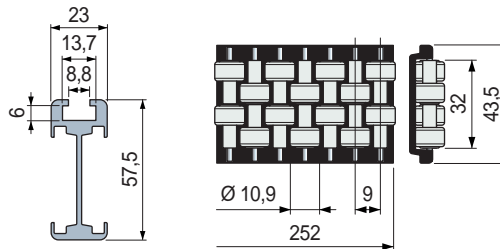
| Rollers material   | Code   | Weight kg |
|--------------------|--------|-----------|
| Acetal POM (white) | 645223 | 1,75      |

- Material: metal profile in anodized aluminium, rollers module in acetal POM (black), roller pins in stainless steel.
- Standard packaging: strands 3,05 metres.
- Packaging: 2 strands.

The roller side guides can be supplied with separated components.

**Metal profile**

**Roller module**



| Length mm | Code   | Rollers material   | Code   |
|-----------|--------|--------------------|--------|
| 3050      | 607893 | Acetal POM (white) | 644673 |
| 6100      | 607903 |                    |        |

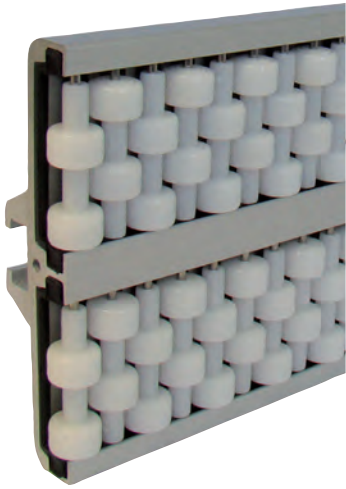
- Material: anodized aluminium.
- Weight: 1,08 Kg/m.
- Packaging: 1 strand.

- **Best Seller**
- **Standard**
- **On request:** minimum quantity may apply. Consult our Customer Service for availability.

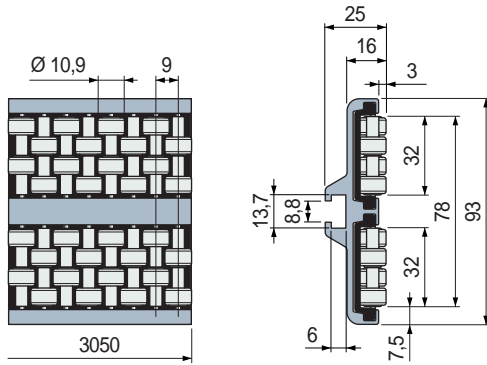
Item code for order = Part. + Code



Part. S0856



Roller side guides

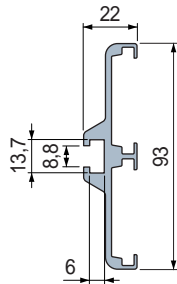


| Rollers material   | Code   | Weight kg |
|--------------------|--------|-----------|
| Acetal POM (white) | 645213 | 2,00      |

- Material: metal profile in anodized aluminium, rollers module in acetal POM (black), roller pins in stainless steel.
- Standard packaging: strands 3,05 metres.
- Packaging: 2 strands.

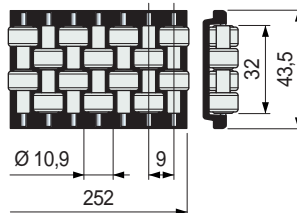
The roller side guides can be supplied with separated components.

Metal profile



| Length mm | Code   |
|-----------|--------|
| 3050      | 607953 |
| 6100      | 607963 |

Roller module



| Rollers material   | Code   |
|--------------------|--------|
| Acetal POM (white) | 644673 |

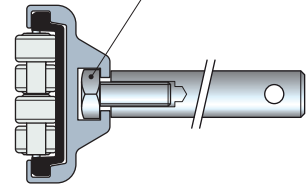
- Material: anodized aluminium.
- Weight: 1,36 Kg/m.
- Packaging: 1 strand.

Characteristics Part. S0856

- Self supporting structure.
- Anodized aluminium profile.
- Quick and easy installation by standard bolts.
- Can be used straight running and sideflexing.

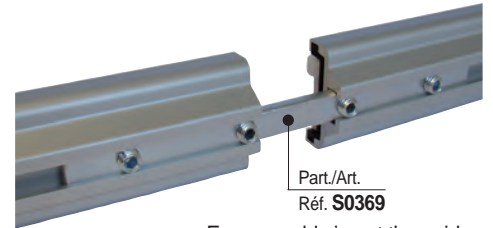
Assembly Part. S0856

M8 hex head bolt



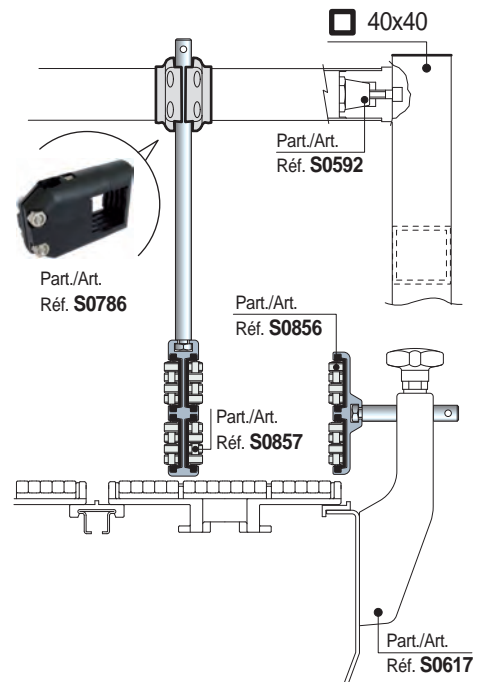
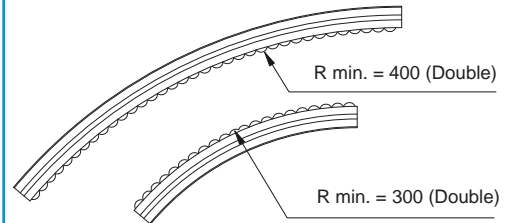
Accessories

Part. S0369 - Connecting bar



For assembly insert the guides and tighten the set screw.

Min. curvature radius Part. S0856



Best Seller

Standard

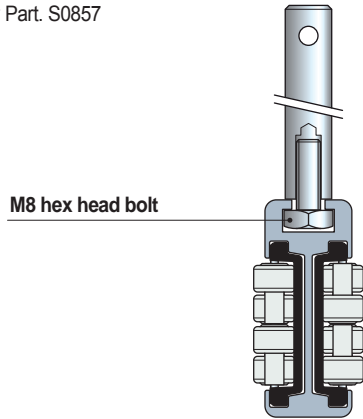
On request: minimum quantity may apply. Consult our Customer Service for availability.

Item code for order = Part. + Code

Part. S0857

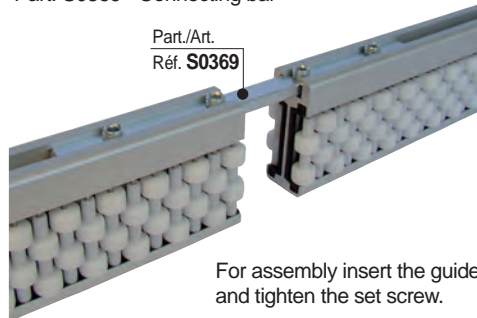
- **Characteristics** Part. S0857
  - Self supporting structure.
  - Anodized aluminium profile.
  - Quick and easy installation by standard bolts.
  - Can be used straight running and sideliflexing.

• **Assembly** Part. S0857

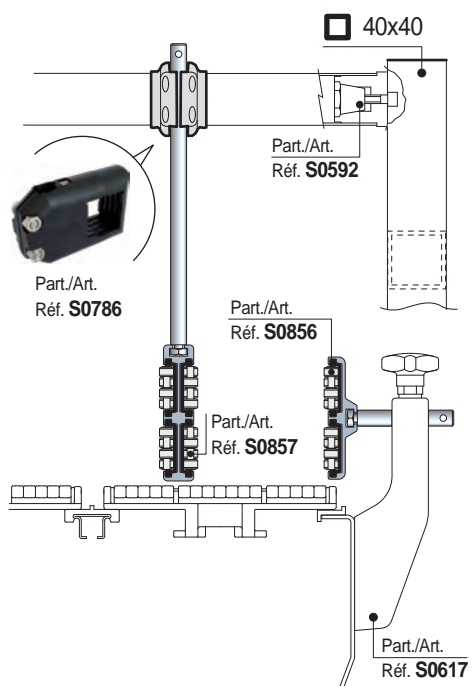
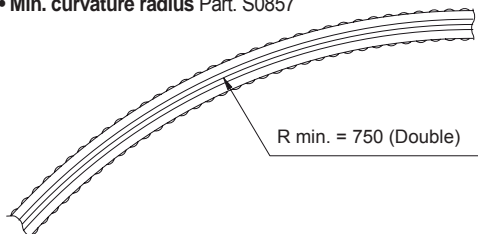


• **Accessories**

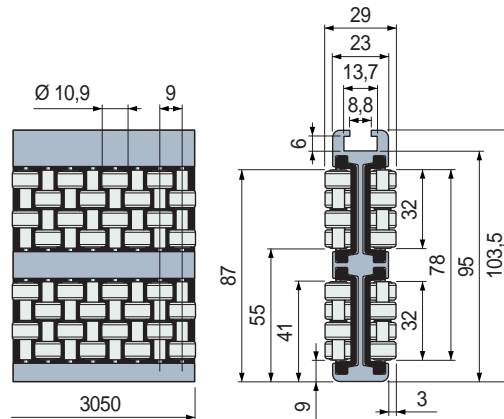
Part. S0369 - Connecting bar



• **Min. curvature radius** Part. S0857

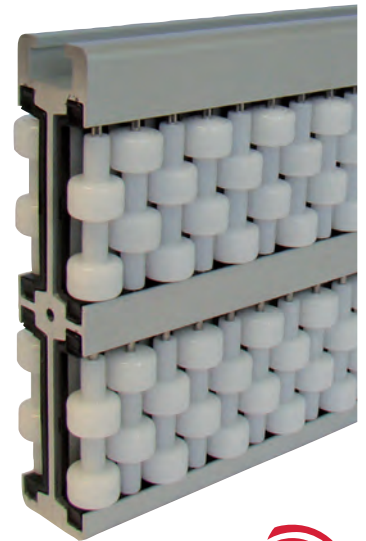


■ **Roller centre guides**



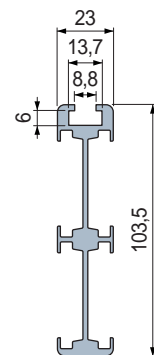
| Rollers material   | Code   | Weight kg |
|--------------------|--------|-----------|
| Acetal POM (white) | 645233 | 3,00      |

- Material: metal profile in anodized aluminium, rollers module in acetal POM (black), roller pins in stainless steel.
- Standard packaging: strands 3,05 metres.
- Packaging: 2 strands.



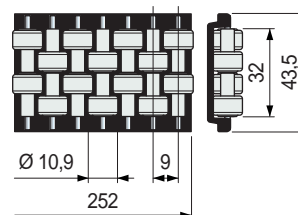
The roller side guides can be supplied with separated components.

**Metal profile**



| Length mm | Code   |
|-----------|--------|
| 3050      | 607913 |
| 6100      | 607923 |

**Roller module**



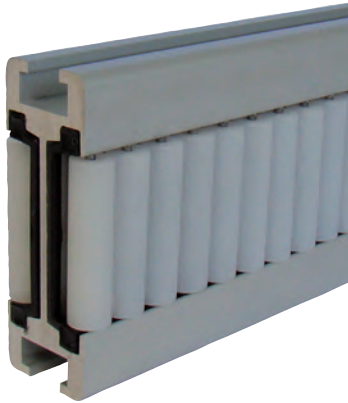
| Rollers material   | Code   |
|--------------------|--------|
| Acetal POM (white) | 644673 |

- Material: anodized aluminium.
- Weight: 1,70 Kg/m.
- Packaging: 1 strand.

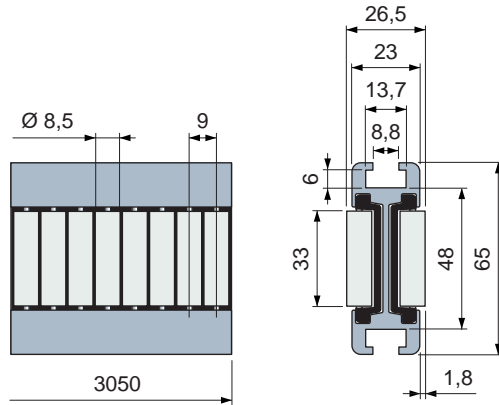
- **Best Seller**
- **Standard**
- **On request:** minimum quantity may apply. Consult our Customer Service for availability.

Item code for order = Part. + Code

Part. S0656



■ Symmetric central guide



| Cylinder rollers material | Code   | Weight kg/m |
|---------------------------|--------|-------------|
| Polyethylene PE (white)   | 646063 | 1,96        |

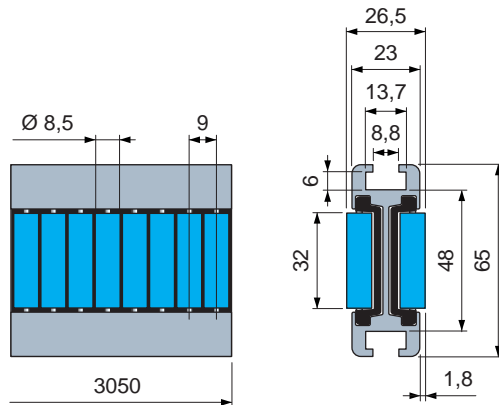
- Material: metal profile in anodized aluminium, rollers module in acetal POM (black), roller pins in stainless steel.
- Min. curvature radius: 500 mm.
- Standard packaging: strands 3,05 metres.
- Packaging: 2 strands.



Part. S0656



■ Symmetric central guide



| Cylinder rollers material | Code   | Weight kg/m |
|---------------------------|--------|-------------|
| SEBS rubber (Blue)        | 655783 | 1,96        |

- Material: metal profile in anodized aluminium, rollers module in acetal POM (black), roller pins in stainless steel.
- Min. curvature radius: 500 mm.
- Standard packaging: strands 3,05 metres.
- Packaging: 2 strands.

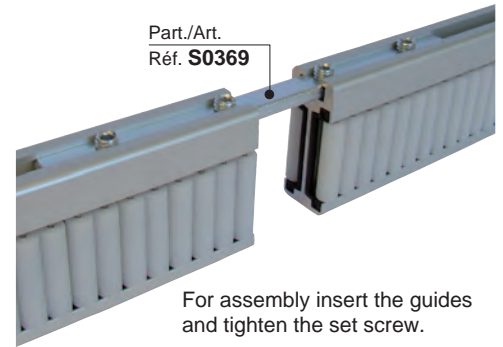


- Best Seller
- Standard
- On request: minimum quantity may apply. Consult our Customer Service for availability.

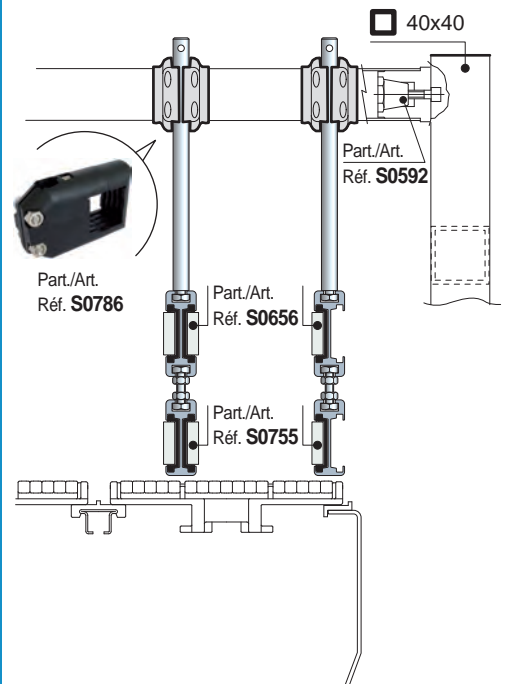
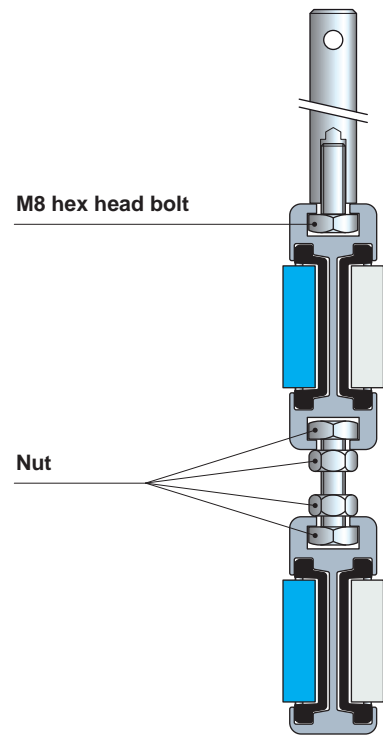
Item code for order = Part. + Code

• Accessories

Part. S0369 - Connecting bar

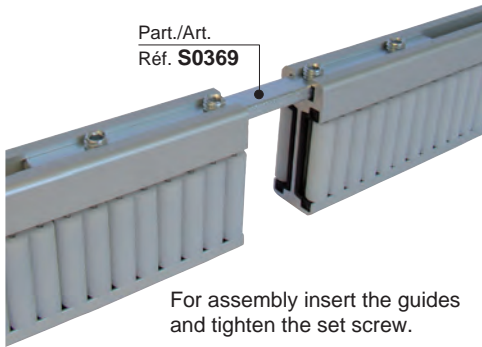


• Fixing

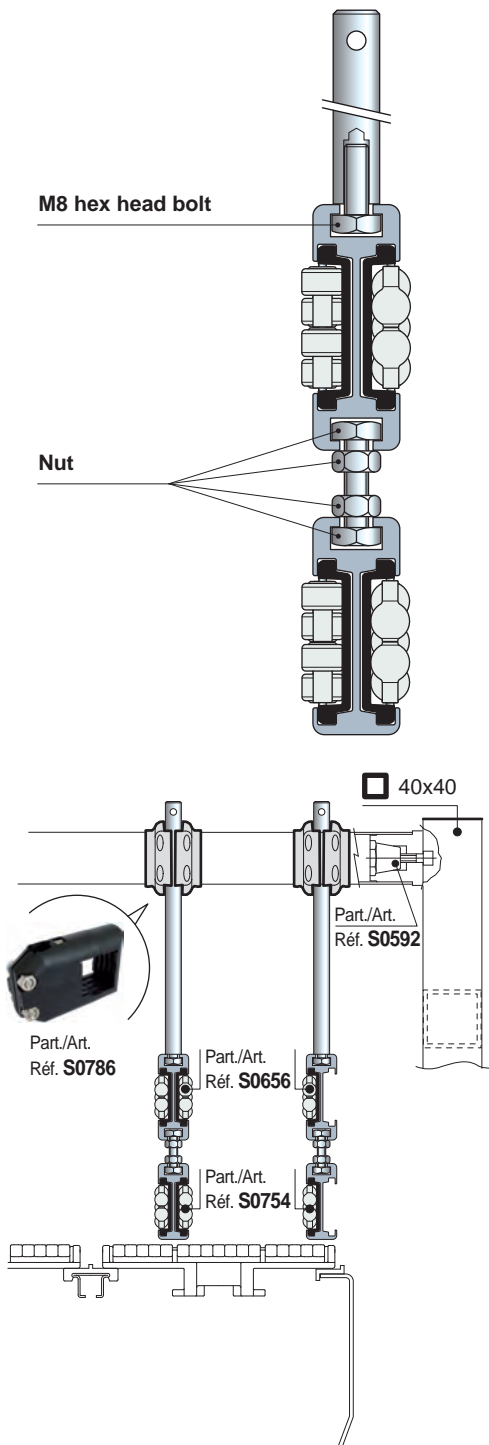


• Accessories

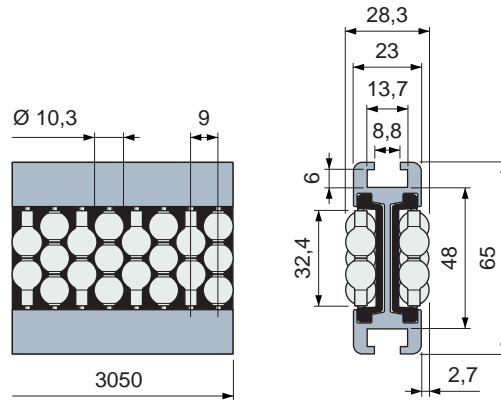
Part. S0369 - Connecting bar



• Fixing



■ Symmetric central guide



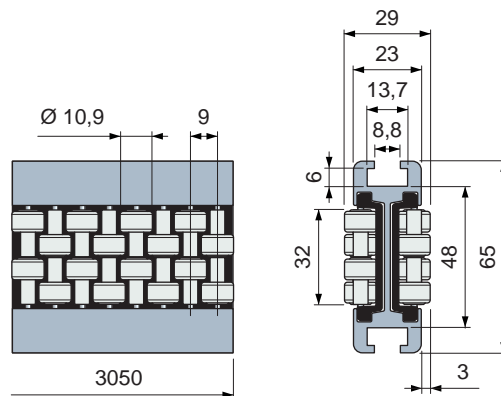
| Pearl material              | Code          | Weight kg/m |
|-----------------------------|---------------|-------------|
| Polyethylene PE (Aubergine) | <b>645243</b> | 1,91        |
| Polyethylene PE (white)     | <b>645253</b> |             |

- Material: metal profile in anodized aluminium, rollers module in acetal POM (black), roller pins in stainless steel.
- Min. curvature radius: 500 mm.
- Standard packaging: strands 3,05 metres.
- Packaging: 2 strands.

Part. S0656



■ Symmetric central guide



| Rollers material   | Code          | Weight kg/m |
|--------------------|---------------|-------------|
| Acetal POM (white) | <b>645263</b> | 1,96        |

- Material: metal profile in anodized aluminium, rollers module in acetal POM (black), roller pins in stainless steel.
- Min. curvature radius: 500 mm.
- Standard packaging: strands 3,05 metres.
- Packaging: 2 strands.

Part. S0656



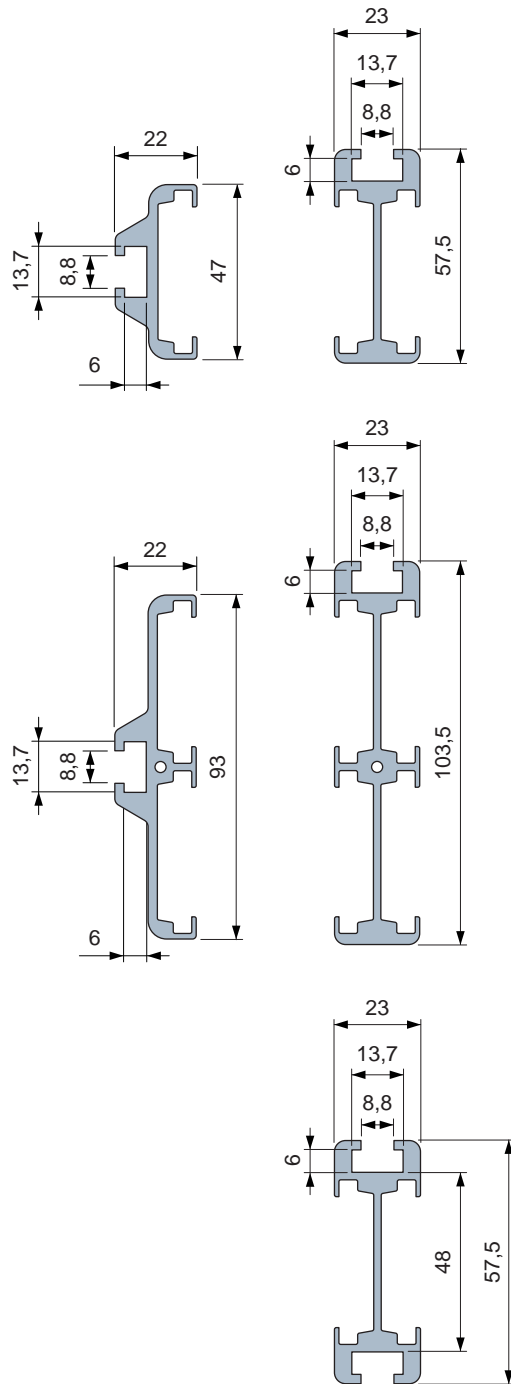
- Best Seller
- Standard
- On request: minimum quantity may apply. Consult our Customer Service for availability.

Item code for order = Part. + Code

Part. S0000



Types of profile that can be used



| Type    | Version   | Code    |         | Radius min. mm | Weight kg/m |
|---------|-----------|---------|---------|----------------|-------------|
|         |           | 3050 mm | 6100 mm |                |             |
| Lateral | Single    | 607933  | 607943  | 250            | 0,85        |
|         | Double    | 607953  | 607963  | 500            | 1,36        |
|         | Symmetric | 689832  | 689992  | 500            | 1,24        |
| Central | Single    | 607893  | 607903  | 500            | 1,08        |
|         | Double    | 607913  | 607923  | 750            | 1,70        |

- Material metal profile: anodized aluminium.
- Packaging: 1 strand.

● Best Seller

● Standard

● On request: minimum quantity may apply. Consult our Customer Service for availability.

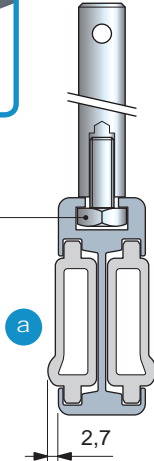
Item code for order = Part. + Code

• **Assembly Part. S0777**

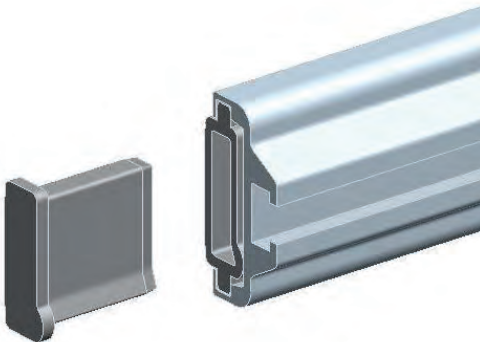
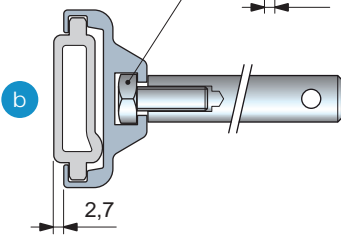
Guide can be assembly on both sides.  
a) configuration "label protection".  
b) containers or packages handling.



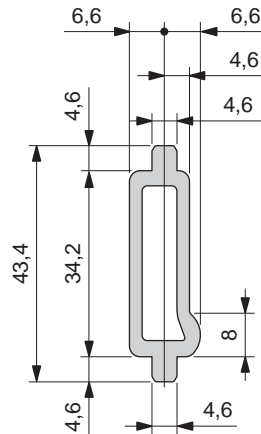
M8 hex head bolt



M8 hex head bolt



■ **Product Guide**



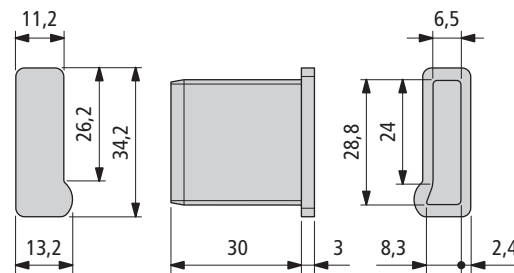
| Guide material       | Length metres | Code   | Weight kg/m |
|----------------------|---------------|--------|-------------|
| PE                   | 3050          | 613223 | 0,85        |
| (Polyethylene white) | 6100          | 613233 |             |

- Packaging: 1 strand.

Part. S0777



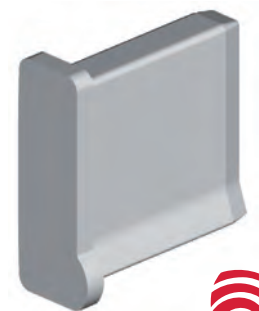
■ **Closing caps**



| Material                | Code   | Weight kg |
|-------------------------|--------|-----------|
| PE (Polyethylene Black) | 635393 | 0,10      |

- Packaging: 50 pieces.

Part. S0829



- Best Seller
- Standard
- On request: minimum quantity may apply. Consult our Customer Service for availability.

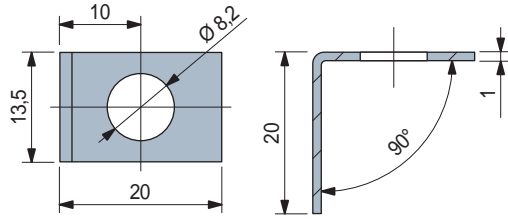
Item code for order = Part. + Code

Part. S0788

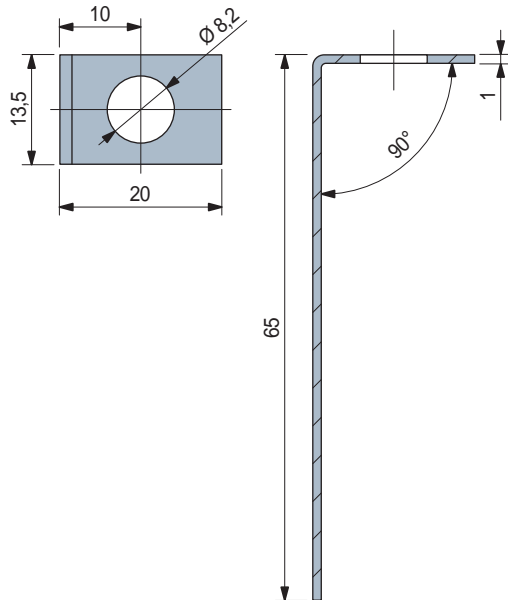


■ End stops for Pearl Roller Guide

Short version, or side guides single and double, and centre single



Long version, for centre guides double



Code

|               |        |
|---------------|--------|
| Short version | 615503 |
| Long version  | 615513 |

- Material: austenitic stainless steel.
- Packaging: 50 pieces.

• Assembly Part. S0788

Part./Art./Réf. S0757 - S0755 - S0868 - S0869  
S0756 - S0754 - S0856 - S0857 - S0656



● Best Seller

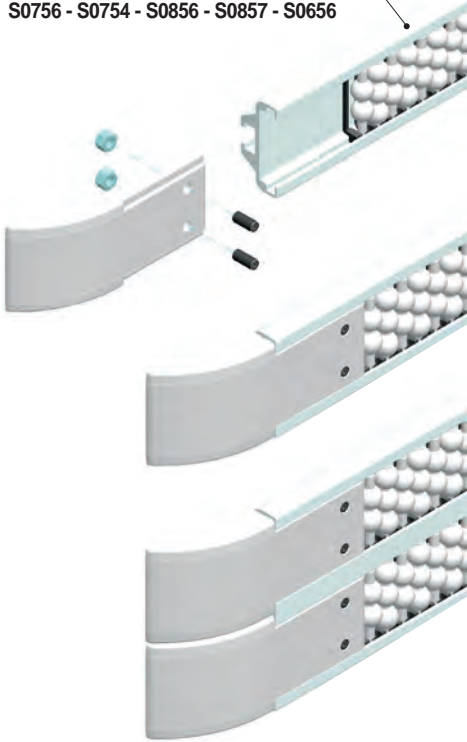
● Standard

● On request: minimum quantity may apply. Consult our Customer Service for availability.

Item code for order = Part. + Code

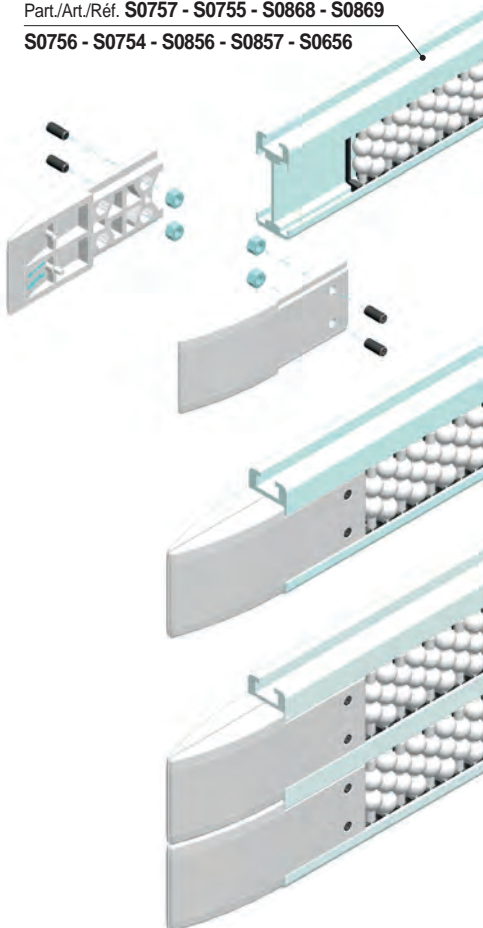
• Assembly Part. S0852

Part./Art./Réf. **S0757 - S0755 - S0868 - S0869**  
**S0756 - S0754 - S0856 - S0857 - S0656**

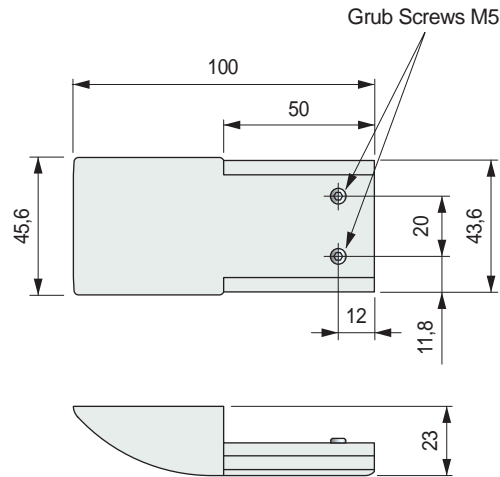


• Assembly Part. S0854

Part./Art./Réf. **S0757 - S0755 - S0868 - S0869**  
**S0756 - S0754 - S0856 - S0857 - S0656**



■ Side separation block



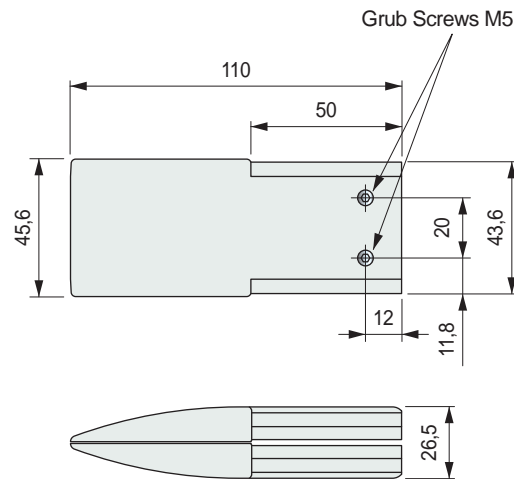
| Code   | Weight kg |
|--------|-----------|
| 646633 | 0,05      |

- Material: separation block in Acetal POM (white), nuts in nickel plated brass, grub screws in stainless steel.
- Packaging: 4 pieces.

Part. S0852



■ Centre separation block



| Code   | Weight kg |
|--------|-----------|
| 646643 | 0,09      |

- Material: separation block in Acetal POM (white), nuts in nickel plated brass, grub screws in stainless steel.
- Packaging: 4 pairs.

Part. S0854

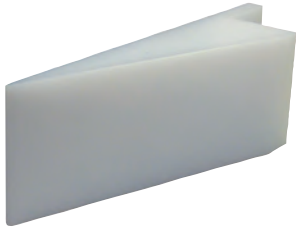


- Best Seller
- Standard
- On request: minimum quantity may apply. Consult our Customer Service for availability.

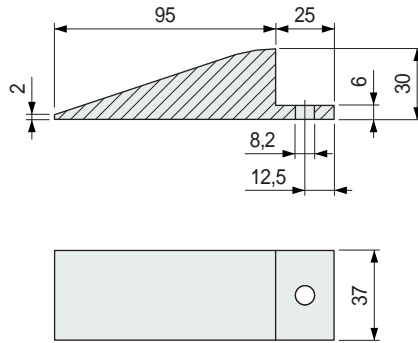
Item code for order = Part. + Code



Part. S0760



■ Side separation block



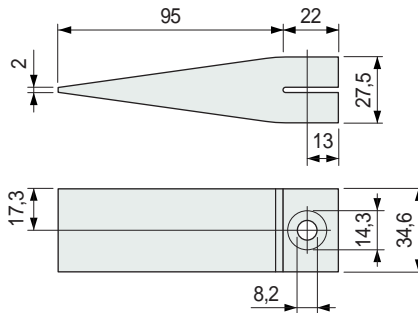
| Code   | Weight<br>kg |
|--------|--------------|
| 613433 | 0,05         |

- Material: separation block in Polyethylene PE (white), bolt in austenitic stainless steel.
- Packaging: 2 pieces.

Part. S0759



■ Centre separation block

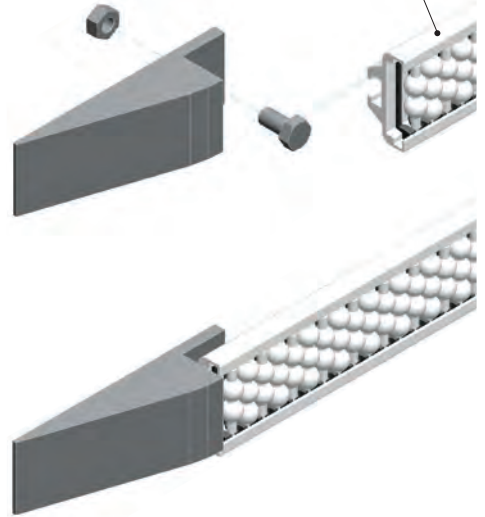


| Code   | Weight<br>kg |
|--------|--------------|
| 613413 | 0,06         |

- Material: separation block in Polyethylene PE (white), bolt in austenitic stainless steel.
- Packaging: 2 pieces.

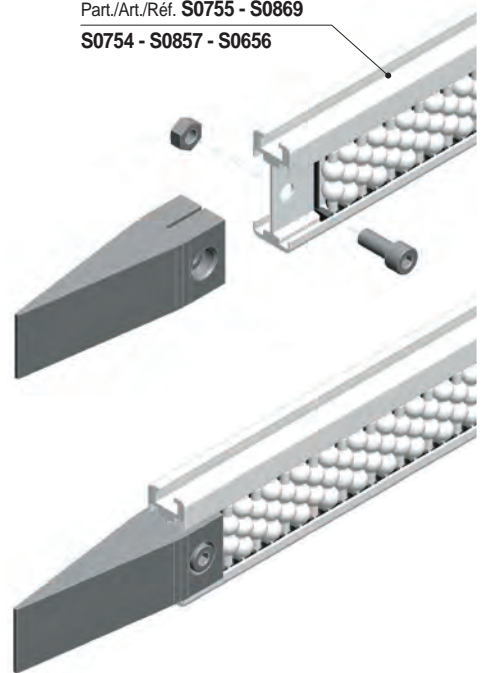
• Assembly Part. S0760

Part./Art./Réf. S0757 - S0868 - S0756 - S0856



• Assembly Part. S0759

Part./Art./Réf. S0755 - S0869  
S0754 - S0857 - S0656

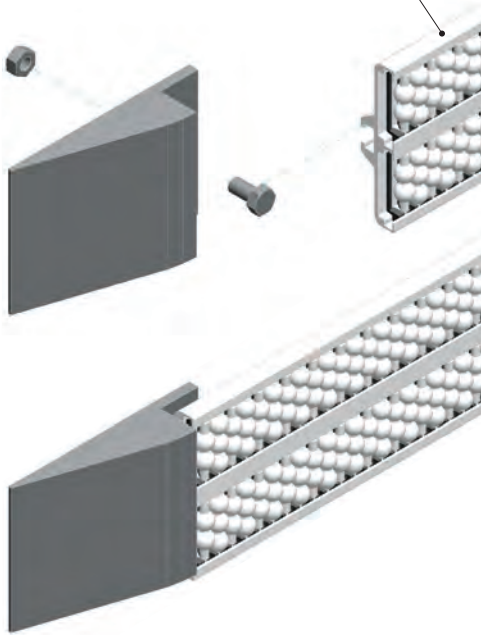


- Best Seller
- Standard
- On request: minimum quantity may apply. Consult our Customer Service for availability.

Item code for order = Part. + Code

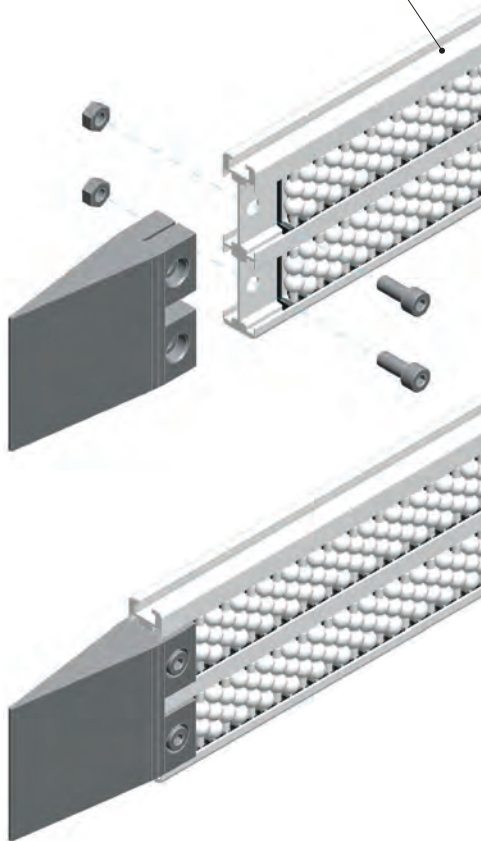
• Assembly Part. S0760

Part./Art./Réf. S0757 - S0868 - S0756 - S0856

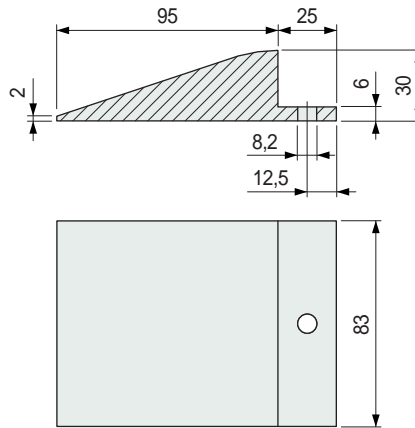


• Assembly Part. S0759

Part./Art./Réf. S0755 - S0869 - S0754 - S0857



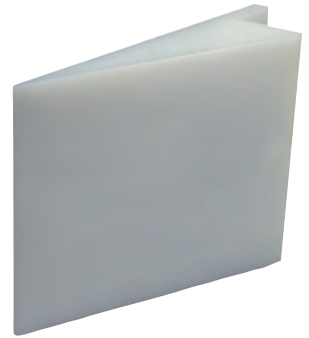
■ Side separation block double



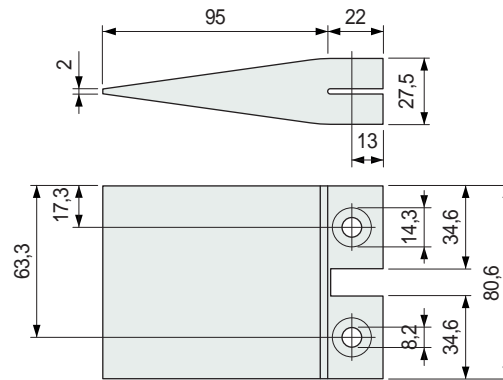
| Code   | Weight<br>kg |
|--------|--------------|
| 613443 | 0,12         |

- Material: separation block in Polyethylene PE (white), bolt in austenitic stainless steel.
- Packaging: 2 pieces.

Part. S0760



■ Centre separation block double



| Code   | Weight<br>kg |
|--------|--------------|
| 613423 | 0,13         |

- Material: separation block in Polyethylene PE (white), bolt in austenitic stainless steel.
- Packaging: 2 pieces.

Part. S0759



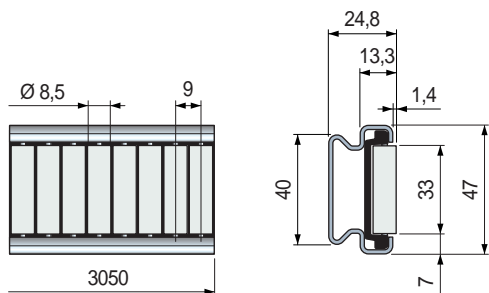
- Best Seller
- Standard
- On request: minimum quantity may apply. Consult our Customer Service for availability.

Item code for order = Part. + Code

Part. S0870



Roller side guides with cylinder rollers



Cylinder rollers

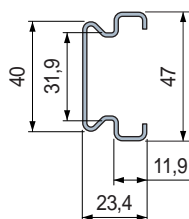
| Code   | Weight kg |
|--------|-----------|
| 649313 | 1,60      |

Polyethylene PE (white) **649313** 1,60

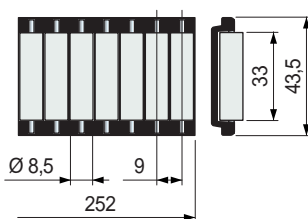
- Material: metal profile in Austenitic stainless steel, rollers module in acetal POM (black), roller pins in stainless steel.
- Standard packaging: strands 3,05 metres.
- Packaging: 2 strands.

The roller side guides can be supplied with separated components.

Metal profile



Cylinder roller module



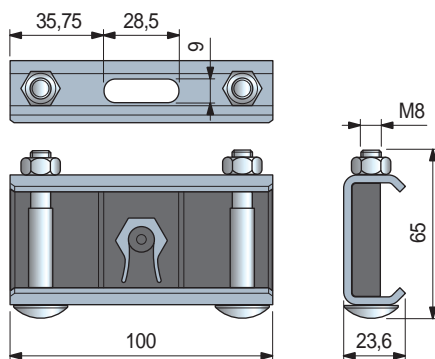
| Length mm | Code          | Cylinder rollers material | Code          |
|-----------|---------------|---------------------------|---------------|
| 3050      | <b>649413</b> | Polyethylene PE (white)   | <b>644613</b> |

- Material: Austenitic stainless steel.
- Weight: 1,21 Kg/m.
- Packaging: 1 strand.

Part. S0794



Side Clamp



| Metal Body               | Code          | Weight kg |
|--------------------------|---------------|-----------|
| Ferritic Stainless Steel | <b>625363</b> | 0,28      |

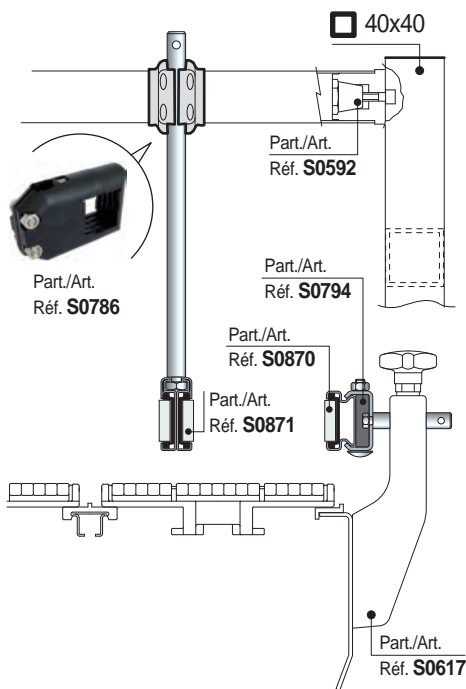
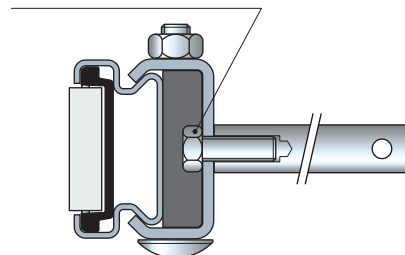
- Plastic Insert Material: POM (Black).
- Hardware: Stainless Steel.
- Packaging: 12 pieces.

Characteristics Part. S0870

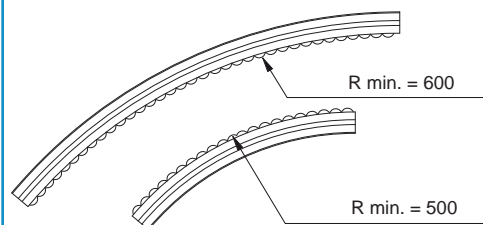
- Self supporting structure.
- Metal Profile in Austenitic stainless steel.
- Quick and easy installation by standard bolts.
- Can be used straight running and sideflexing.

Assembly Part. S0870

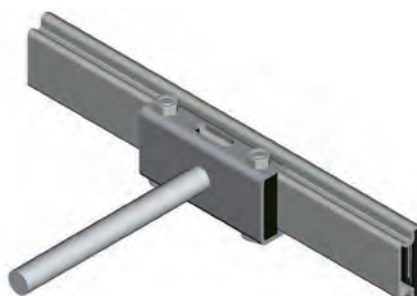
M10 hex head bolt



Min. curvature radius Part. S0870



Installation - side Usage



Best Seller

Standard

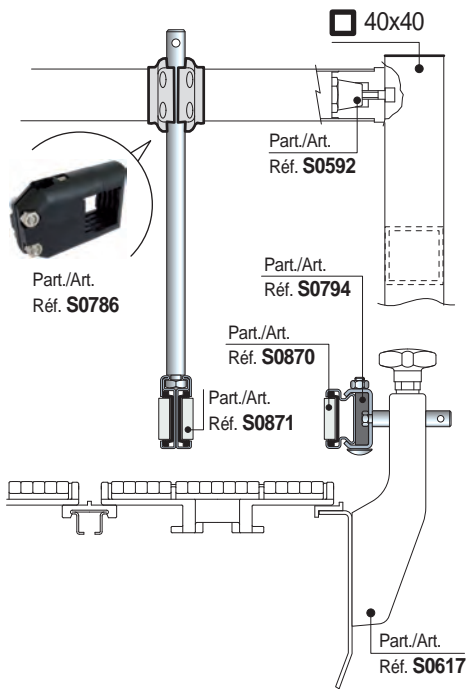
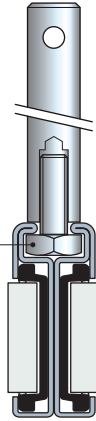
On request: minimum quantity may apply. Consult our Customer Service for availability.

Item code for order = Part. + Code

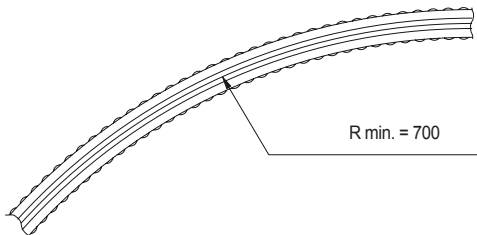
- **Characteristics** Part. S0871
  - Self supporting structure.
  - Metal Profile in Austenitic stainless steel.
  - Quick and easy installation by standard bolts.
  - Can be used straight running and sideliflexing.

• **Assembly** Part. S0871

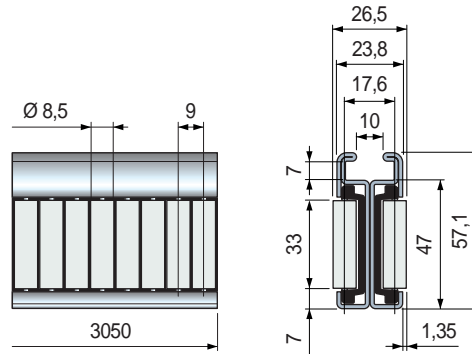
M10 hex head bolt



• **Min. curvature radius** Part. S0871



■ **Centre guide with cylinder rollers**



Cylinder rollers material

Code

Weight kg

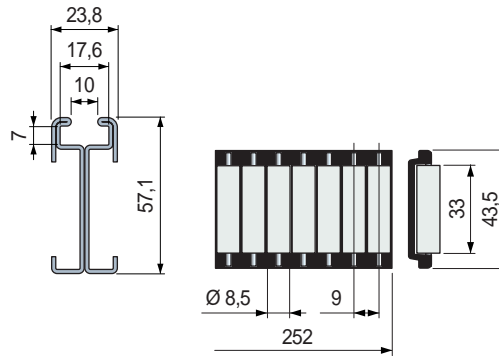
|                         |               |      |
|-------------------------|---------------|------|
| Polyethylene PE (white) | <b>649323</b> | 3,10 |
|-------------------------|---------------|------|

- Material: metal profile in Austenitic stainless steel, rollers module in acetal POM (black), roller pins in stainless steel.
- Standard packaging: strands 3,05 metres.
- Packaging: 2 strands.

The roller side guides can be supplied with separated components.

**Metal profile**

**Cylinder roller module**



Length mm

Code

Cylinder rollers material

Code

3050 **649433**

Polyethylene PE (white) **644613**

- Material: Austenitic stainless steel.
- Weight: 2,35 Kg/m.
- Packaging: 1 strand.

Part. S0871



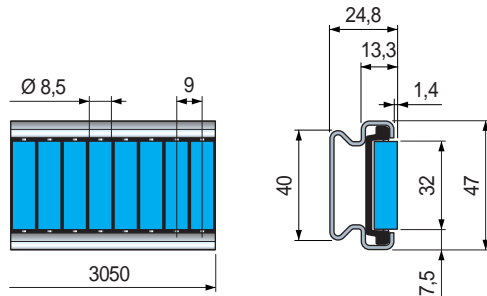
- **Best Seller**
- **Standard**
- **On request:** minimum quantity may apply. Consult our Customer Service for availability.

Item code for order = Part. + Code

Part. S0872



■ Roller side guides with cylinder rollers

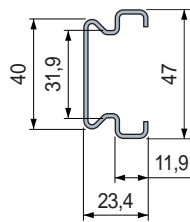


| Cylinder rollers material | Code   | Weight kg |
|---------------------------|--------|-----------|
| SEBS Rubber (Blue)        | 649333 | 1,60      |

- Material: metal profile in Austenitic stainless steel, rollers module in acetal POM (black), roller pins in stainless steel.
- Standard packaging: strands 3,05 metres.
- Packaging: 2 strands.

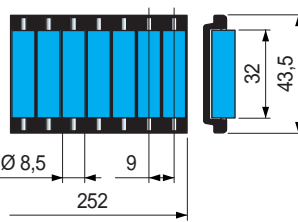
The roller side guides can be supplied with separated components.

Metal profile



| Length mm | Code   |
|-----------|--------|
| 3050      | 649413 |

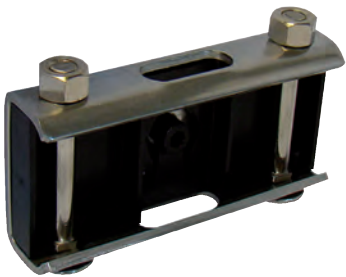
Cylinder roller module



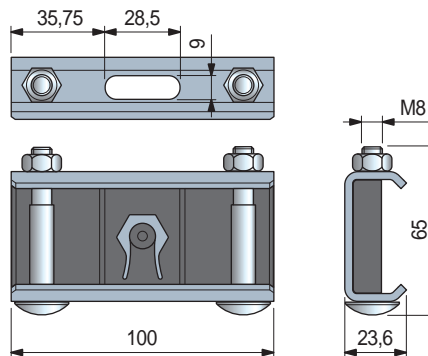
| Cylinder rollers material | Code   |
|---------------------------|--------|
| SEBS Rubber (Blue)        | 646523 |

- Material: Austenitic stainless steel.
- Weight: 1,21 Kg/m.
- Packaging: 1 strand.

Part. S0794



■ Side Clamp



| Metal Body               | Code   | Weight kg |
|--------------------------|--------|-----------|
| Ferritic Stainless Steel | 625363 | 0,28      |

- Plastic Insert Material: POM (Black).
- Hardware: Stainless Steel.
- Packaging: 12 pieces.

● Best Seller

● Standard

● On request: minimum quantity may apply. Consult our Customer Service for availability.

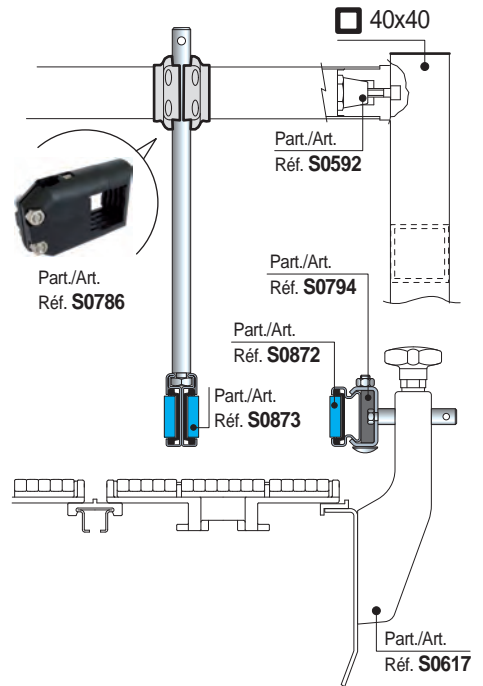
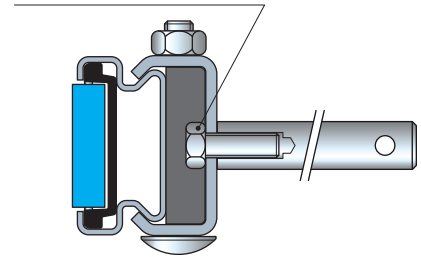
Item code for order = Part. + Code

• Characteristics Part. S0872

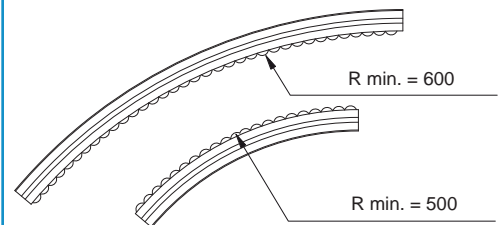
- Self supporting structure.
- Metal Profile in Austenitic stainless steel.
- Quick and easy installation by standard bolts.
- Can be used straight running and sideflexing.

• Assembly Part. S0872

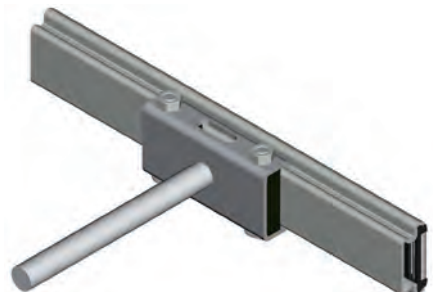
M10 hex head bolt



• Min. curvature radius Part. S0872



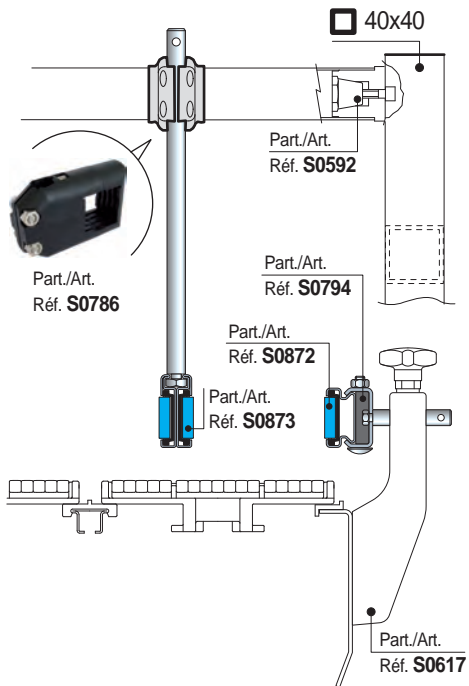
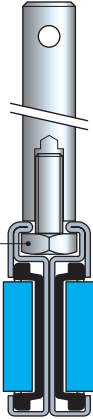
• Installation - side Usage



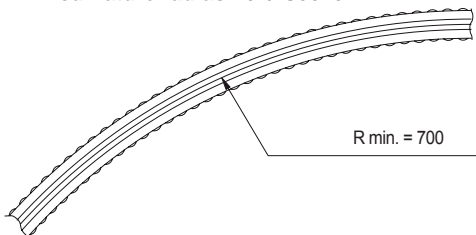
- **Characteristics** Part. S0873
  - Self supporting structure.
  - Metal Profile in Austenitic stainless steel.
  - Quick and easy installation by standard bolts.
  - Can be used straight running and sideliflexing.

- **Assembly** Part. S0873

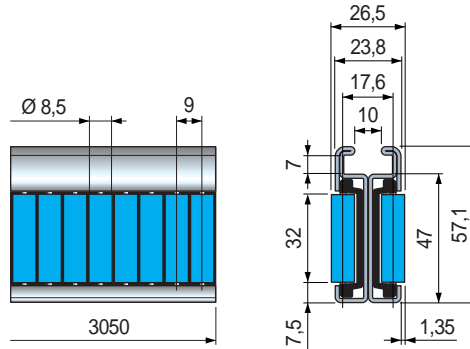
M10 hex head bolt



- **Min. curvature radius** Part. S0873



Centre guide with cylinder rollers



Cylinder rollers material

Code

Weight kg

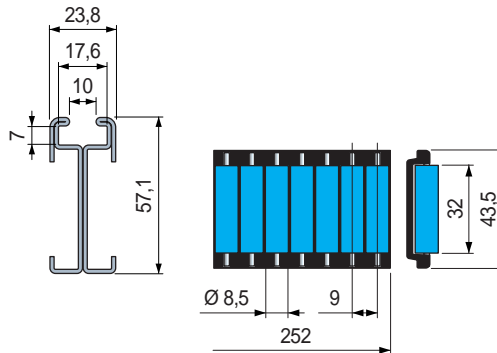
| Cylinder rollers material | Code   | Weight kg |
|---------------------------|--------|-----------|
| SEBS Rubber (Blue)        | 649343 | 3,10      |

- Material: metal profile in Austenitic stainless steel, rollers module in acetal POM (black), roller pins in stainless steel.
- Standard packaging: strands 3,05 metres.
- Packaging: 2 strands.

The roller side guides can be supplied with separated components.

Metal profile

Cylinder roller module



Length mm

Code

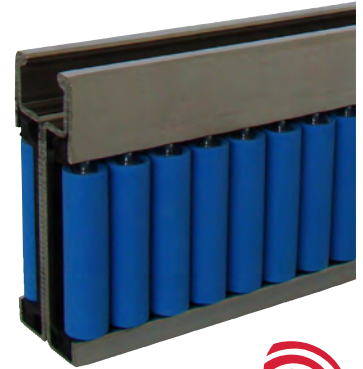
Cylinder rollers material

Code

| Length mm | Code   | Cylinder rollers material | Code   |
|-----------|--------|---------------------------|--------|
| 3050      | 649433 | SEBS Rubber (Blue)        | 646523 |

- Material: Austenitic stainless steel.
- Weight: 2,35 Kg/m.
- Packaging: 1 strand.

Part. S0873



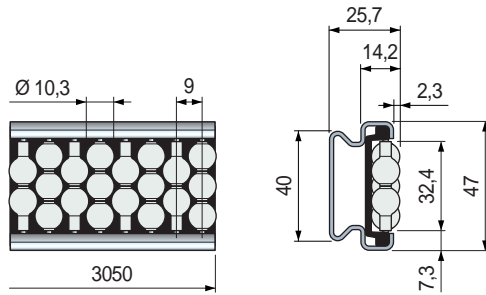
- Best Seller
- Standard
- On request: minimum quantity may apply. Consult our Customer Service for availability.

Item code for order = Part. + Code

Part. S0874



■ Pearl roller side guide

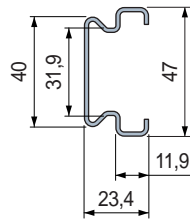


| Pearl material              | Code   | Weight kg |
|-----------------------------|--------|-----------|
| Polyethylene PE (Aubergine) | 649353 | 1,55      |
| Polyethylene PE (white)     | 649363 |           |

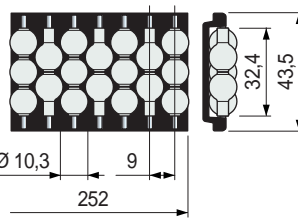
- Material: metal profile in Austenitic stainless steel, rollers module in acetal POM (black), roller pins in stainless steel.
- Standard packaging: strands 3,05 metres.
- Packaging: 2 strands.

The roller side guides can be supplied with separated components.

Metal profile



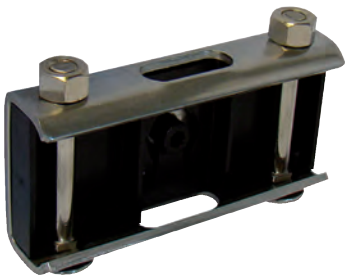
Pearls module



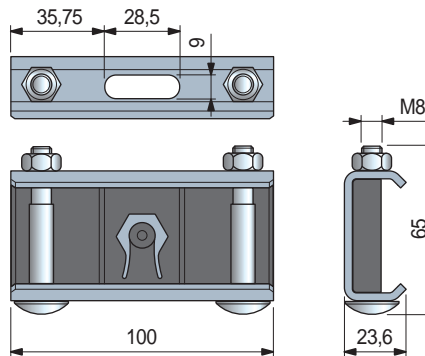
| Length mm | Code   | Materiale Perle™            | Code   |
|-----------|--------|-----------------------------|--------|
| 3050      | 649413 | Polyethylene PE (Aubergine) | 644653 |
|           |        | Polyethylene PE (white)     | 644633 |

- Material: Austenitic stainless steel.
- Weight: 1,21 Kg/m.
- Packaging: 1 strand.

Part. S0794



■ Side Clamp



| Metal Body               | Code   | Weight kg |
|--------------------------|--------|-----------|
| Ferritic Stainless Steel | 625363 | 0,28      |

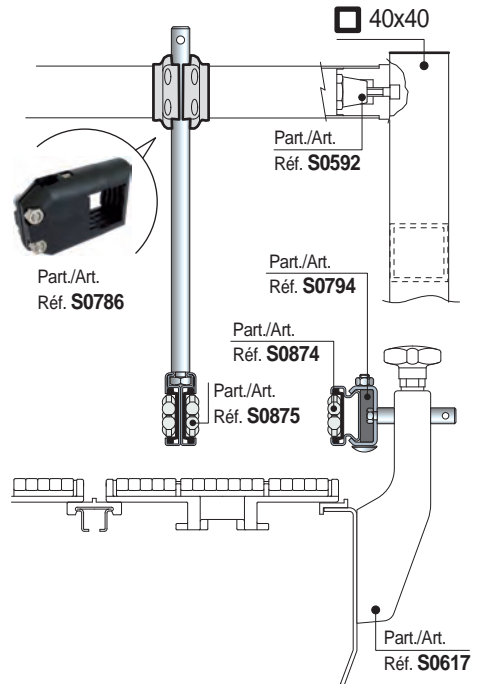
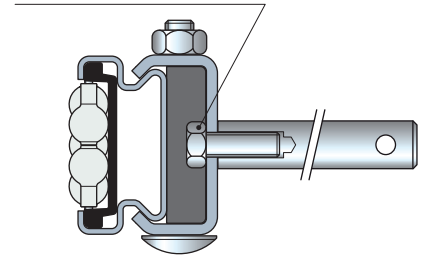
- Plastic Insert Material: POM (Black).
- Hardware: Stainless Steel.
- Packaging: 12 pieces.

• Characteristics Part. S0874

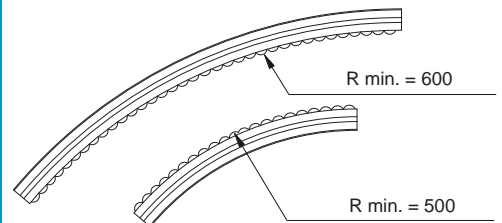
- Self supporting structure.
- Metal Profile in Austenitic stainless steel.
- Quick and easy installation by standard bolts.
- Can be used straight running and sidelifing.

• Assembly Part. S0874

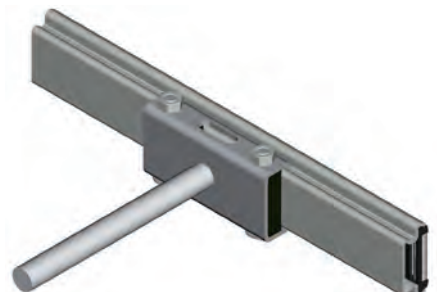
M10 hex head bolt



• Min. curvature radius Part. S0874



• Installation - side Usage



● Best Seller

● Standard

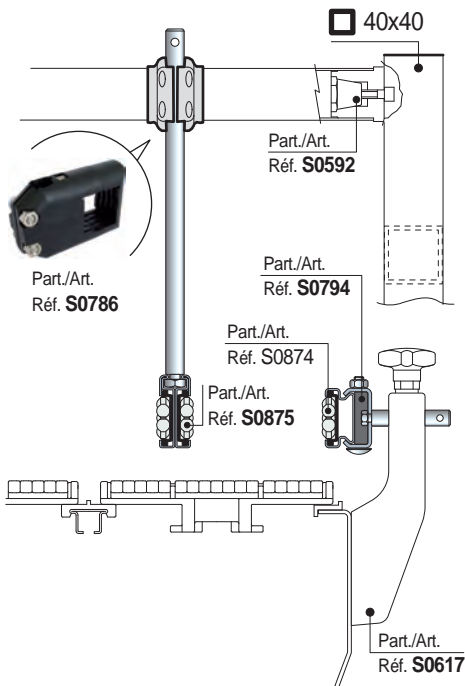
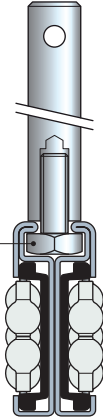
● On request: minimum quantity may apply. Consult our Customer Service for availability.

Item code for order = Part. + Code

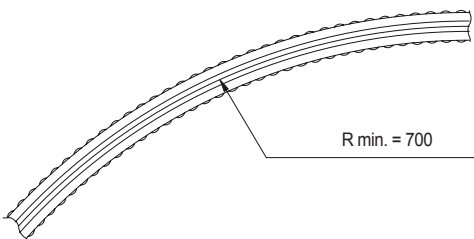
- **Characteristics** Part. S0875
  - Self supporting structure.
  - Metal Profile in Austenitic stainless steel.
  - Quick and easy installation by standard bolts.
  - Can be used straight running and sidelifing.

• **Assembly** Part. S0875

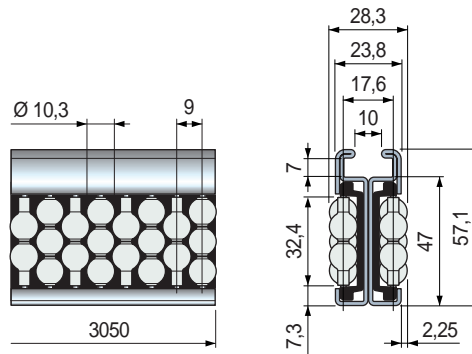
M10 hex head bolt



• **Min. curvature radius** Part. S0875



■ **Pearls roller centre guide**



Part. S0875



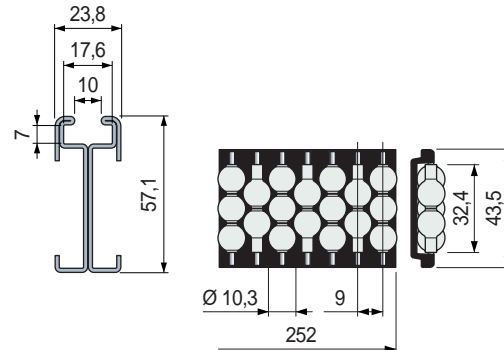
| Pearl material              | Code          | Weight kg |
|-----------------------------|---------------|-----------|
| Polyethylene PE (Aubergine) | <b>649373</b> | 3,02      |
| Polyethylene PE (white)     | <b>649383</b> |           |

- Material: metal profile in Austenitic stainless steel, rollers module in acetal POM (black), roller pins in stainless steel.
- Standard packaging: strands 3,05 metres.
- Packaging: 2 strands.

The roller side guides can be supplied with separated components.

**Metal profile**

**Pearls module**



| Length mm | Code          | Materiale Perle™            | Code          |
|-----------|---------------|-----------------------------|---------------|
| 3050      | <b>649433</b> | Polyethylene PE (Aubergine) | <b>644653</b> |
|           |               | Polyethylene PE (white)     | <b>644633</b> |

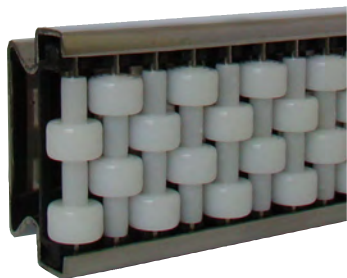
- Material: Austenitic stainless steel.
- Weight: 2,35 Kg/m.
- Packaging: 1 strand.

- **Best Seller**
- **Standard**
- **On request:** minimum quantity may apply. Consult our Customer Service for availability.

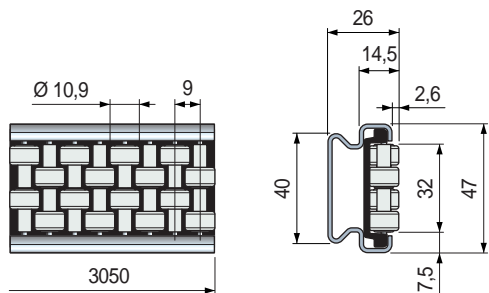
Item code for order = Part. + Code



Part. S0876



Roller side guides

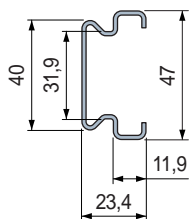


| Rollers material   | Code   | Weight kg |
|--------------------|--------|-----------|
| Acetal POM (white) | 649393 | 1,58      |

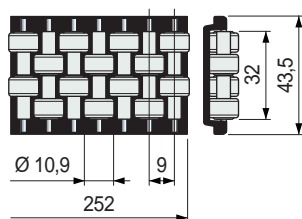
- Material: metal profile in Austenitic stainless steel, rollers module in acetal POM (black), roller pins in stainless steel.
- Standard packaging: strands 3,05 metres.
- Packaging: 2 strands.

The roller side guides can be supplied with separated components.

Metal profile



Roller module



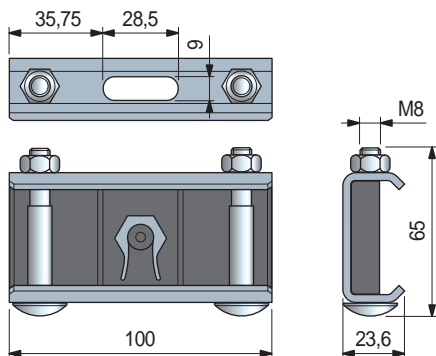
| Length mm | Code   | Rollers material   | Code   |
|-----------|--------|--------------------|--------|
| 3050      | 649413 | Acetal POM (white) | 644673 |

- Material: Austenitic stainless steel.
- Weight: 1,21 Kg/m.
- Packaging: 1 strand.

Part. S0794



Side Clamp



| Metal Body               | Code   | Weight kg |
|--------------------------|--------|-----------|
| Ferritic Stainless Steel | 625363 | 0,28      |

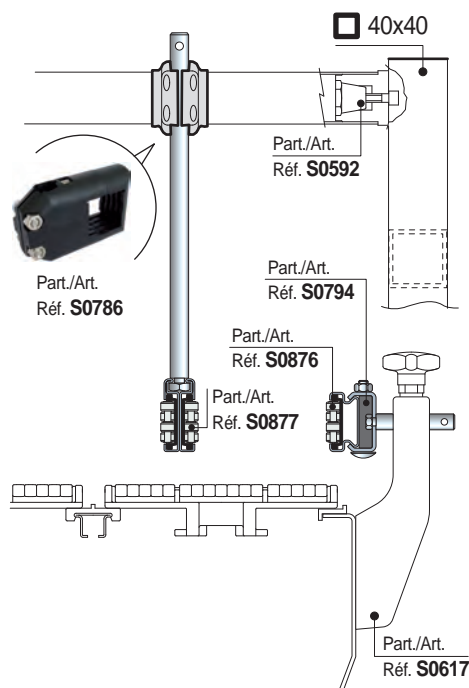
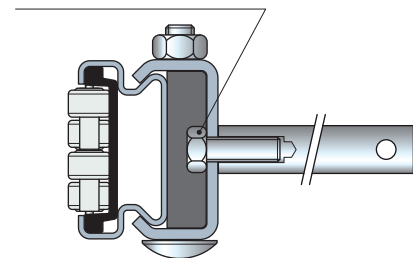
- Plastic Insert Material: POM (Black).
- Hardware: Stainless Steel.
- Packaging: 12 pieces.

Characteristics Part. S0876

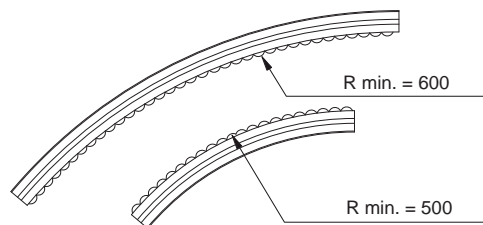
- Self supporting structure.
- Metal Profile in Austenitic stainless steel.
- Quick and easy installation by standard bolts.
- Can be used straight running and sideliflexing.

Assembly Part. S0876

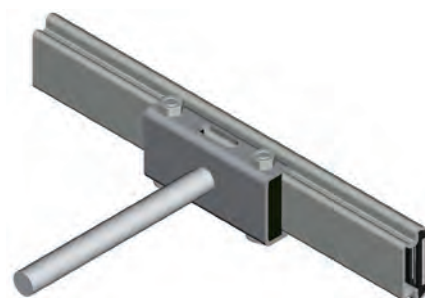
M10 hex head bolt



Min. curvature radius Part. S0876



Installation - side Usage



Best Seller

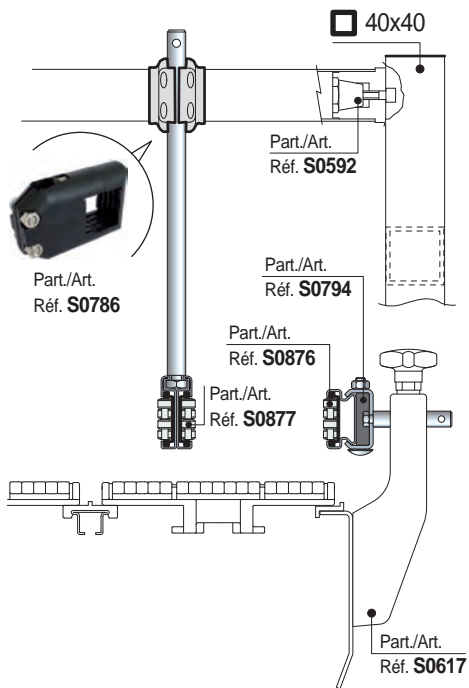
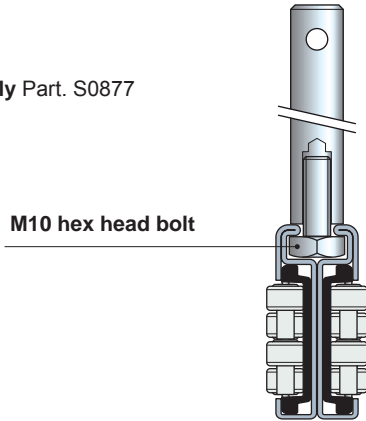
Standard

On request: minimum quantity may apply. Consult our Customer Service for availability.

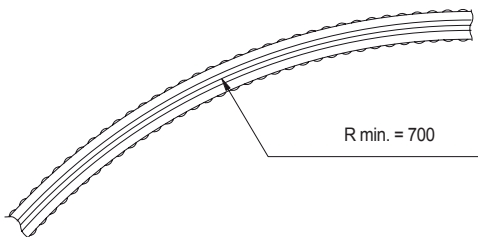
Item code for order = Part. + Code

- **Characteristics** Part. S0877
  - Self supporting structure.
  - Metal Profile in Austenitic stainless steel.
  - Quick and easy installation by standard bolts.
  - Can be used straight running and sideliflexing.

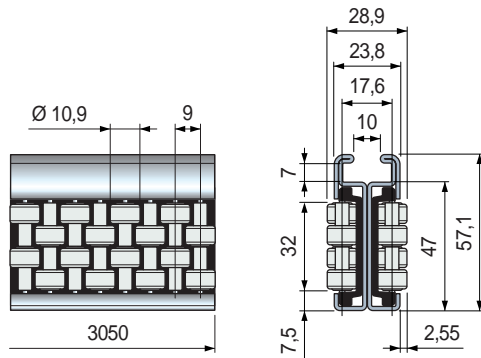
- **Assembly** Part. S0877



- **Min. curvature radius** Part. S0877



Roller centre guides

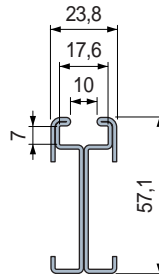


| Rollers material   | Code          | Weight kg |
|--------------------|---------------|-----------|
| Acetal POM (white) | <b>649403</b> | 3,08      |

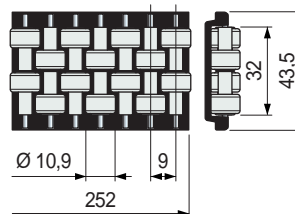
- Material: metal profile in Austenitic stainless steel, rollers module in acetal POM (black), roller pins in stainless steel.
- Standard packaging: strands 3,05 metres.
- Packaging: 2 strands.

The roller side guides can be supplied with separated components.

Metal profile



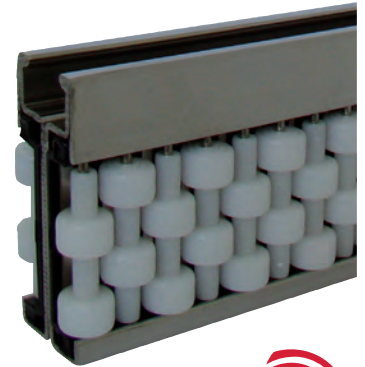
Roller module



| Length mm | Code          | Rollers material   | Code          |
|-----------|---------------|--------------------|---------------|
| 3050      | <b>649433</b> | Acetal POM (white) | <b>644673</b> |

- Material: Austenitic stainless steel.
- Weight: 2,35 Kg/m.
- Packaging: 1 strand.

Part. S0877



- **Best Seller**
- **Standard**
- **On request:** minimum quantity may apply. Consult our Customer Service for availability.

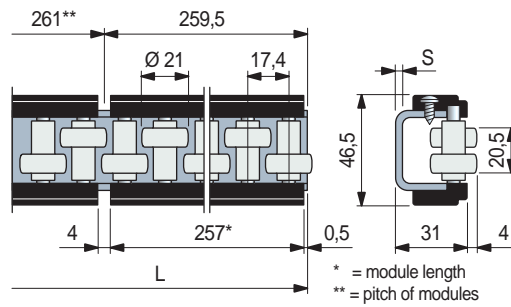
Item code for order = Part. + Code

Part. S0128S

Sideflexing



Roller side guides



| S mm | L mm | Metal profile and screws material | Code | Weight kg/m |
|------|------|-----------------------------------|------|-------------|
|------|------|-----------------------------------|------|-------------|

Part. S0128S Sideflexing

|   |      |                            |                |      |
|---|------|----------------------------|----------------|------|
| 2 | 3129 | Zinc plated steel          | <b>6413600</b> | 2,06 |
|   |      | Austenitic stainless steel | <b>6346600</b> |      |

Part. S0128 Straight run

|      |      |                            |              |     |
|------|------|----------------------------|--------------|-----|
| 1041 | 2085 | Zinc plated steel          | <b>64531</b> | 2,6 |
|      |      | Austenitic stainless steel | <b>62640</b> |     |
| 3    | 3129 | Zinc plated steel          | <b>64541</b> | 2,6 |
|      |      | Austenitic stainless steel | <b>62670</b> |     |
| 3129 | 3129 | Zinc plated steel          | <b>64551</b> | 2,6 |
|      |      | Austenitic stainless steel | <b>63350</b> |     |

- Material: rollers in acetal POM (white).  
Side straps in polyamide PA (black).  
Roller pins in ferritic stainless steel.

- Packaging: 2 strands.

- Accessories:



Guide - Rail Clamps.



Guide rail bending machine (manual) Part. S0218.

Part. S0128

Straight run

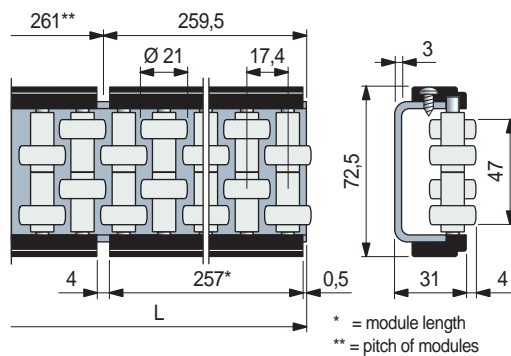


Part. S0128

Straight run



Roller side guides



| L mm | Metal profile and screws material | Code | Weight kg/m |
|------|-----------------------------------|------|-------------|
|------|-----------------------------------|------|-------------|

|      |                            |              |     |
|------|----------------------------|--------------|-----|
| 1041 | Zinc plated steel          | <b>64501</b> | 3,8 |
|      | Austenitic stainless steel | <b>62650</b> |     |
| 2085 | Zinc plated steel          | <b>64511</b> | 3,8 |
|      | Austenitic stainless steel | <b>62680</b> |     |
| 3129 | Zinc plated steel          | <b>64521</b> | 3,8 |
|      | Austenitic stainless steel | <b>63340</b> |     |

- Material: rollers in acetal POM (white).  
Side straps in polyamide PA (black).  
Roller pins in ferritic stainless steel.

- Packaging: 2 strands.

- Accessories:

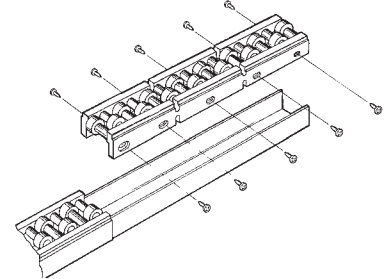


Guide - Rail Clamps.

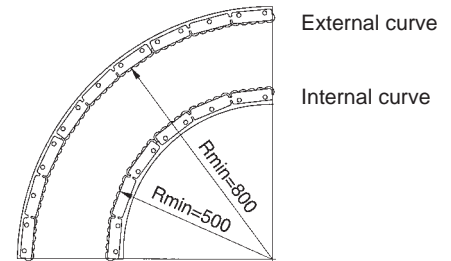
• Use of Part. S0128S - S0128  
Rugged containers (ex. cases, cartons).

• Modular system

Guides are made of 257 mm long modules fixed on a metal "C" profile.



• Min. curvature radius (only for Part. S0128S)



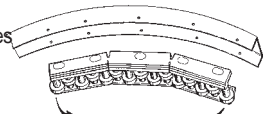
Curving procedure

- Disassemble the modules

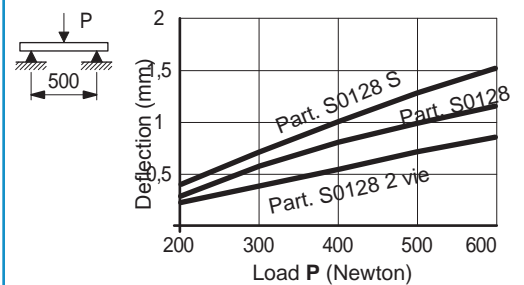
- Curve the metal profile using the manual bending machine.

- Reassemble the modules

(the flexibility of the side straps make them easily adaptable to the curved profile).



• Deflection of Part. S0128S - S0128

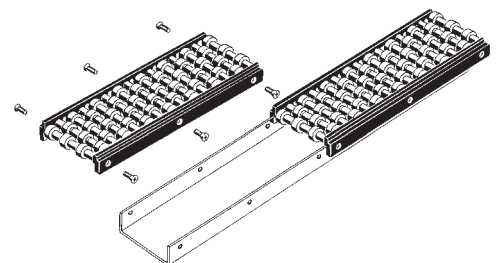


• Use of Part. S0128

Rugged containers (ex. cases, cartons).

• Modular system Part. S0128

Guides are made of 257 mm long modules fixed on a metal "C" profile.



● Best Seller

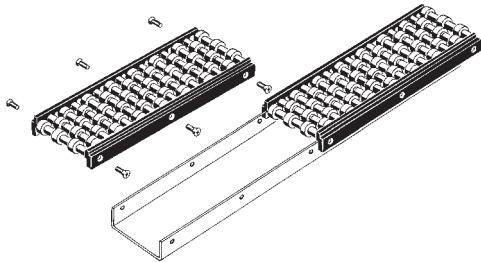
● Standard

● On request: minimum quantity may apply. Consult our Customer Service for availability.

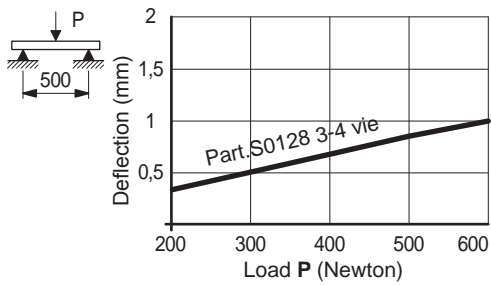
Item code for order = Part. + Code

- **Use of Part. S0128**  
Rugged containers (ex. cases, cartons).

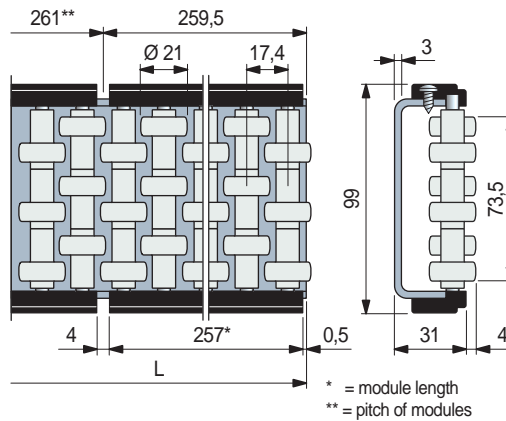
- **Modular system**  
Guides are made of 257 mm long modules fixed on a metal "C" profile.



- **Deflection of Part. S0128**



■ **Roller side guides**

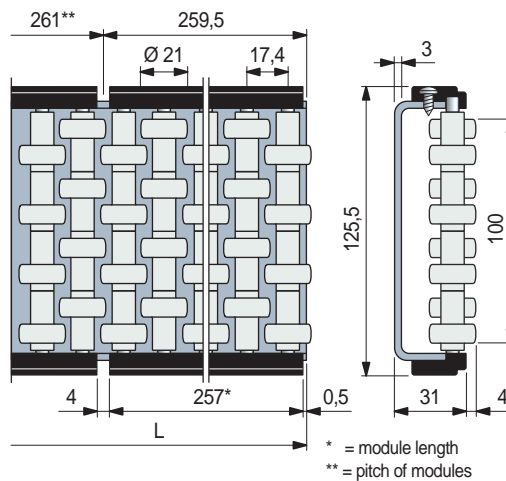


| L mm | Metal profile and screws material | Code         | Weight kg/m |
|------|-----------------------------------|--------------|-------------|
| 1041 | Zinc plated steel                 | <b>64471</b> | 5,0         |
|      | Austenitic stainless steel        | <b>62660</b> |             |
| 2085 | Zinc plated steel                 | <b>64481</b> | 5,0         |
|      | Austenitic stainless steel        | <b>62690</b> |             |
| 3129 | Zinc plated steel                 | <b>64491</b> | 5,0         |
|      | Austenitic stainless steel        | <b>62890</b> |             |

- Material: rollers in acetal POM (white). Side straps in polyamide PA (black). Roller pins in ferritic stainless steel.
- Packaging: 2 strands.
- Accessories:



■ **Roller side guides**



| L mm | Metal profile and screws material | Code          | Weight kg/m |
|------|-----------------------------------|---------------|-------------|
| 3129 | Austenitic stainless steel        | <b>609753</b> | 6,2         |

- Material: rollers in acetal POM (white). Side straps in polyamide PA (black). Roller pins in ferritic stainless steel.
- Packaging: 2 strands.
- Accessories:



Part. S0128

Straight run



Part. S0128

Straight run










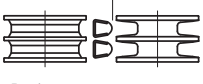




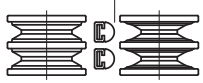

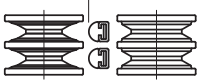













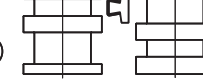









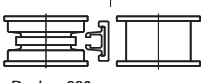













- **Best Seller**
- **Standard**
- **On request:** minimum quantity may apply. Consult our Customer Service for availability.

Item code for order = Part. + Code

Part. S0233

Rollers for bending




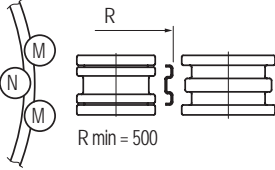
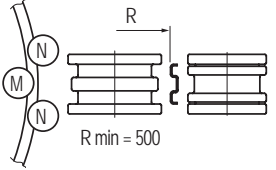

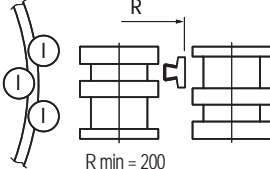
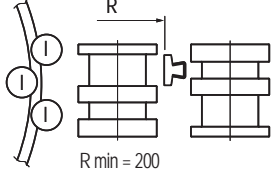
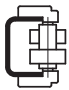
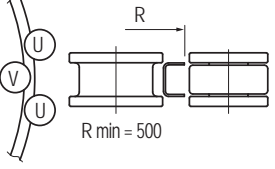
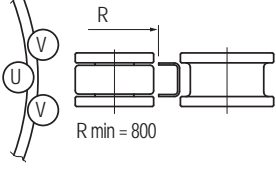
| Part. | Types of guides to be bent   | Internal curve position of rollers  | External curve positions of rollers   | Code   | No. of rollers |
|-------|--|---|---|--------|----------------|
| S0233 | <b>S0219</b> <b>S0393</b><br> <br><b>S0317</b> <b>S0308</b><br> <br><b>S0223</b> <b>S0715</b><br>  | <br><br>$R_{min} = 145$     | <br><br>$R_{min} = 145$     | 62791  | 4              |
|       | <b>S0247</b><br>  | <br><br>$R_{min} = 145$     | <br><br>$R_{min} = 145$     | 62811  | 4              |
|       | <b>S0346</b><br>  | <br><br>$R_{min} = 110$     | <br><br>$R_{min} = 110$     | 64374  | 4              |
|       | <b>S0273</b><br>  | <br><br>$R_{min} = 160$  | <br><br>$R_{min} = 160$  | 69232  | 3              |
|       | <b>S0768</b> <b>S0767</b><br>    | <br><br>$R_{min} = 160$ | <br><br>$R_{min} = 160$ | 621993 | 3              |
|       | <b>S0596</b><br>  | <br><br>$R_{min} = 160$ | <br><br>$R_{min} = 160$ | 621462 | 3              |
|       | <b>S0422</b><br>  | <br><br>$R_{min} = 280$ | <br><br>$R_{min} = 280$ | 68179  | 4              |
|       | Steel rods<br>dia. 8 to 14* mm<br>  | <br><br>$R_{min} = 145$ | <br><br>$R_{min} = 145$ | 62821  | 3              |
|       | <b>S0191</b> <b>S0296</b><br>    | <br><br>$R_{min} = 200$ | <br><br>$R_{min} = 200$ | 62801  | 3              |

● Best Seller

● Standard

● On request: minimum quantity may apply. Consult our Customer Service for availability.

Item code for order = Part. + Code

| Part. | Types of guides to be bent   | Internal curve position of rollers   | External curve positions of rollers  | Code   | No. of rollers |
|-------|--|--|--|--------|----------------|
| S0233 | S0537<br>   | <br>R min = 500 | <br>R min = 500 | 689371 | 4              |
|       | S0765<br>   | <br>R min = 200 | <br>R min = 200 | 621983 | 3              |
|       | S0128 S<br> | <br>R min = 500 | <br>R min = 800 | 64566  | 4              |

- Material: steel (the rollers for Part. S0346 - S0273 - S0596 - S0356, are supplied in polyamide PA black).
- Packaging: 1 series of rollers.
- Double race rollers allow two guides to be bent at the same time.
- ∙: Steel rods dia.14 mm, can be bent only one at a time (use the lower groove to give less stress to the machine).

**Bending procedure**

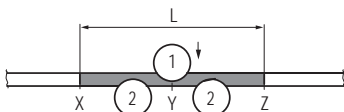
1 - Calculate the length of the section to be bent L.

$$L = R \cdot K$$

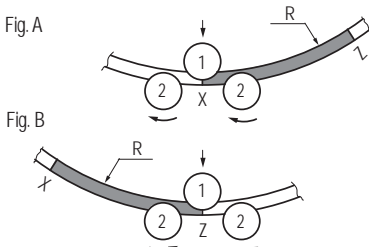
R = bend radius.  
K = bend coefficient.

|                      |     |     |     |      |      |      |
|----------------------|-----|-----|-----|------|------|------|
| bend angle (degrees) | 30° | 60° | 90° | 120° | 150° | 180° |
| bend coefficient K   | 0,5 | 1   | 1,5 | 2    | 2,5  | 3    |

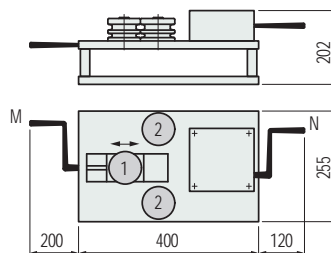
2 - Sign the length L on the profile to be bent, with (X) starting point, (Z) end point and (Y) middle point. Acting on handle (M), displace roller (1) to contact the profile



3 - Acting on handle (M), adjust the displacement to obtain the right radius (more displacement, smaller radius). Acting on handle (N), rollers (2) rotate and move the profile to position X (picture A) or Z (picture B). To obtain the desired radius it is necessary a minimum of two shifts. To get a seamless transition from straight section to curve section and vice-versa it is necessary to exceed points X and Z by 20 mm.

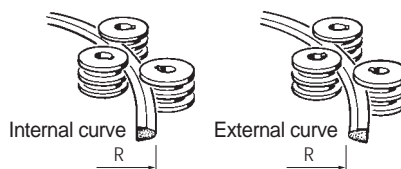


**Guide rail bending machine (manual)**



| Code  | Weight kg |
|-------|-----------|
| 60151 | 23        |

- Functioning: manual.
- Packaging: 1 bending machine.
- Accessories: rollers for bending Part. S0233.
- The bending machine is made with 3 shafts for rollers, hand driven. Handle (M), displaces roller (1), to determine the bending radius. Handle (N), actions the rotation of rollers (2).
- The rollers are supplied as separate accessories. Each type of guide needs specific rollers, according to the table below. Double groove rollers allow two profiles bending at one time.
- Both internal and external bends can be made.



Part. S0218

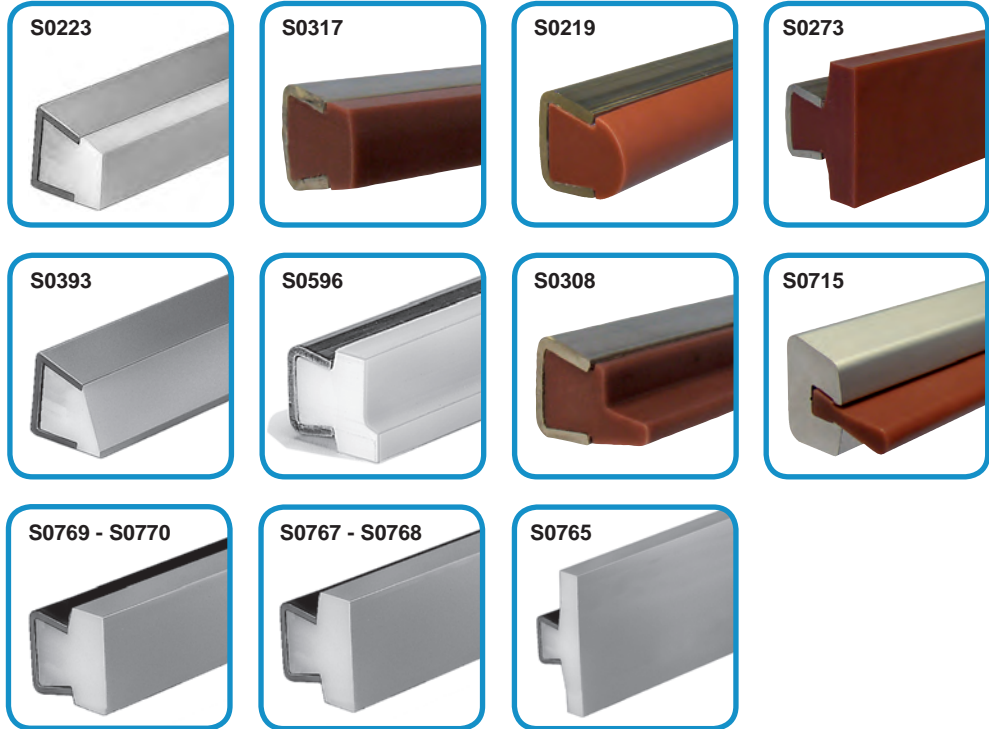


- Best Seller
- Standard
- On request: minimum quantity may apply. Consult our Customer Service for availability.

Item code for order = Part. + Code

**Guide - Rail Clamps for**

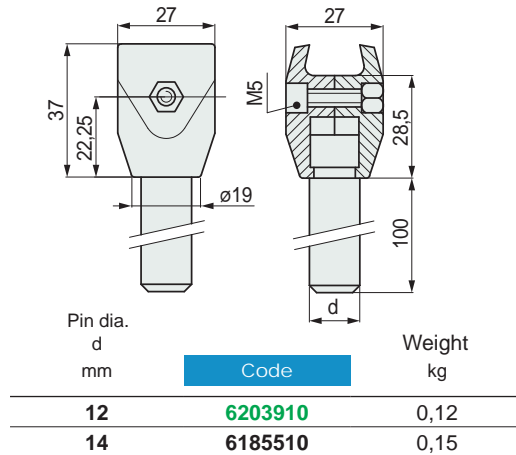
- Part. S0223
- Part. S0317
- Part. S0219
- Part. S0273
- Part. S0393
- Part. S0596
- Part. S0308
- Part. S0715
- Part. S0765
- Part. S0767
- Part. S0768
- Part. S0769
- Part. S0770



Part. S0210P



■ Guide rail clamp

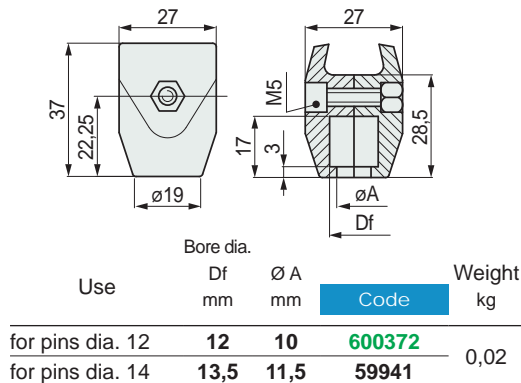


- Material: guide rail clamps in reinforced polyamide PA FV (black). Pin in austenitic stainless steel. Bolt in austenitic stainless steel. Nut in nickel plated brass.
- Packaging: 50 pieces.

Part. S0210

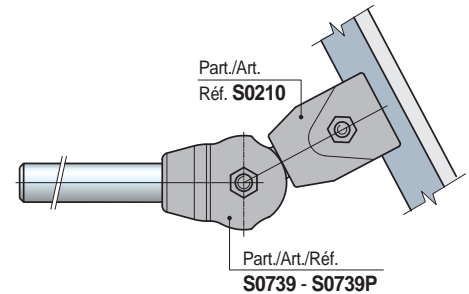


■ Guide rail clamp



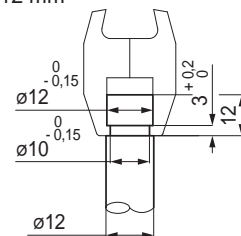
- Material: guide rail clamps in reinforced polyamide PA FV (black). Bolt in austenitic stainless steel. Nut in nickel plated brass.
- Packaging: 100 pieces.
- Accessories: swivel pin connection Part. S0739 - S0739P.

- **Swivel pin connection** Part. S0739 - S0739P  
Use for conveyors with (format change). They allow an easy regulation of product-guides on corner tracks.

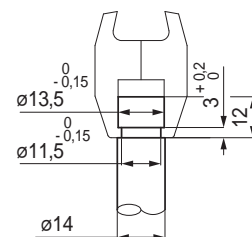


- **Pin dimensions** for Part. S0210

Pin dia. 12 mm



Pin dia. 14 mm



● **Best Seller**

● **Standard**

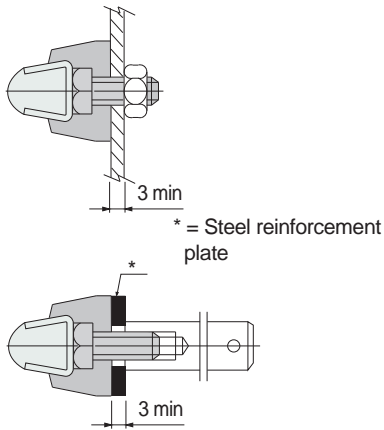
● **On request:** minimum quantity may apply. Consult our Customer Service for availability.

Item code for order = Part. + Code

# Guide - Rail Clamps

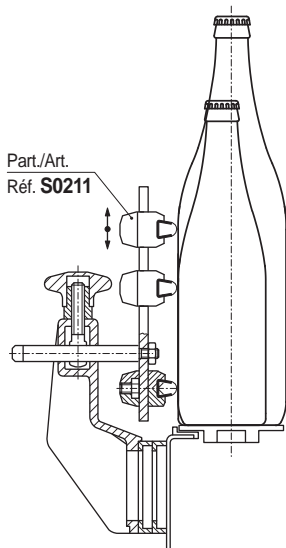
for Part. S0223 - S0317 - S0219 - S0273 - S0393 - S0596 - S0308 - S0715 - S0765 - S0767 - S0768 - S0769 - S0770

• Assembly of Part. S0275

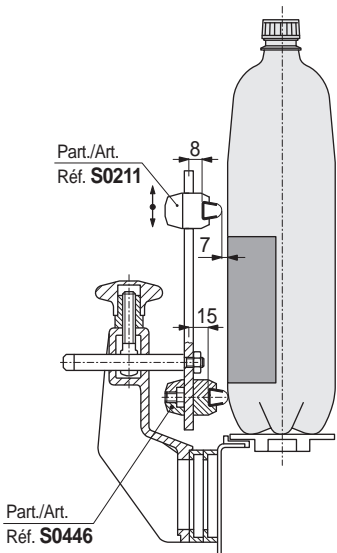


\* = Steel reinforcement plate

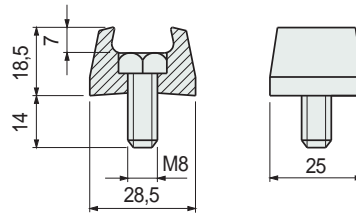
• Assembly of Part. S0211  
Unlimited height adjustment possible



• Assembly of Part. S0211- S0446  
PET bottle movement (subject to swelling)



■ Guide rail clamp



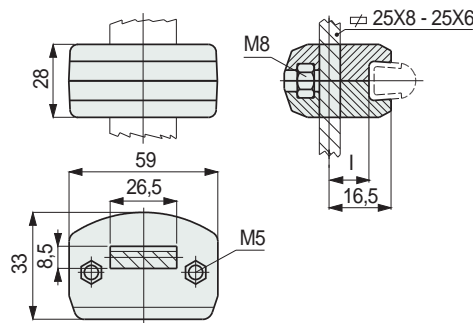
| Code  | Weight kg |
|-------|-----------|
| 66811 | 0,02      |

- Material: guide rail clamps in acetal POM (Black), bolt in austenitic stainless steel.
- Packaging: 100 pieces.

Part. S0275



■ Adjustable guide rail clamp



| I mm | Code  | Weight kg |
|------|-------|-----------|
| 8    | 59961 | 0,05      |

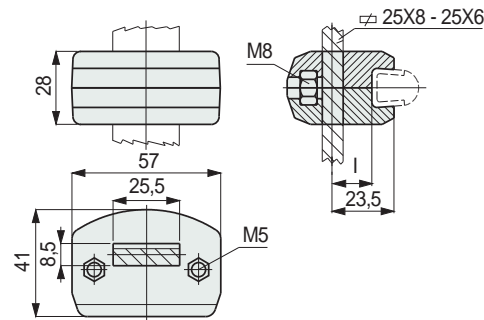
- Material: guide rail clamps in reinforced polyamide PA FV (black). Bolt in austenitic stainless steel. Nut in nickel plated brass.
- Packaging: 100 pieces.

Part. S0211



Distance I = 8 mm

■ Adjustable guide rail clamp



| I mm | Code   | Weight kg |
|------|--------|-----------|
| 15   | 607651 | 0,05      |

- Material: guide rail clamps in reinforced polyamide PA FV (black). Bolt in austenitic stainless steel. Nut in nickel plated brass.
- Packaging: 50 pieces.

Part. S0446



Distance I = 15 mm

● Best Seller

● Standard

● On request: minimum quantity may apply. Consult our Customer Service for availability.

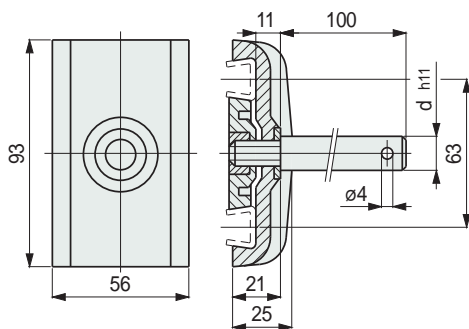
Item code for order = Part. + Code



Part. S0213



Double guide rail clamp



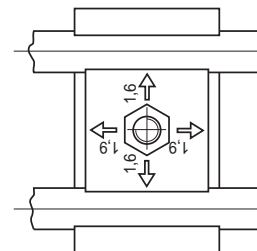
| Pin dia.<br>d<br>mm | Code  | Weight<br>kg |
|---------------------|-------|--------------|
| 12                  | 60091 | 0,19         |
| 14                  | 60181 | 0,22         |
| 16                  | 60191 | 0,25         |

- Material: guide rail clamp in reinforced polyamide PA FV (black).
- Pin in austenitic stainless steel.
- Washer in austenitic stainless steel.
- Nut in nickel plated brass.
- Packaging: 50 pieces.

Assembly of Part. S0213

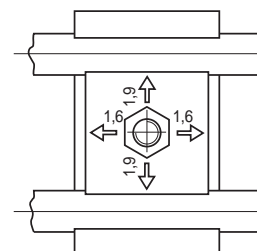
The plate inside the clamp must be positioned to suit the thickness of the guide.

Position of plate for assembly of guides of thickness  $s = 1,5$ .



Position of plate for assembly of guides of thickness  $s = 2$ .

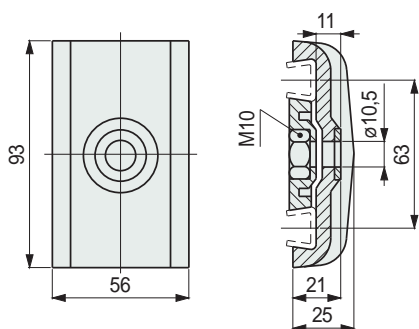
The plate is turned through 90°.



Part. S0213



Double guide rail clamp

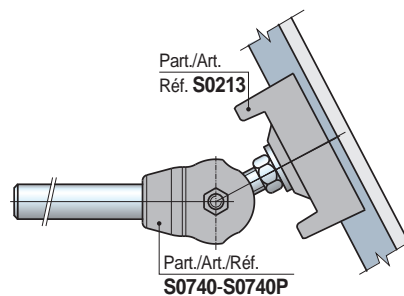


| Code  | Weight<br>kg |
|-------|--------------|
| 60101 | 0,08         |

- Material: guide rail clamp in reinforced polyamide PA FV (black).
- Washer in austenitic stainless steel.
- Nut in nickel plated brass.
- Packaging: 50 pieces.
- Accessories: swivel pin connection Part. S0749 - S0740P.

Swivel pin connection Part. S0740 - S0740P

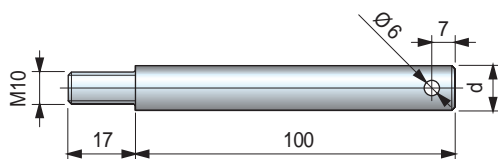
Use for conveyors with (format change). They avoid an easy regulation of product-guides on corner tracks. See page S112.



Part. S0000



Rod for Part. S0213



| Pin dia.<br>d<br>mm | Code  | Weight<br>kg |
|---------------------|-------|--------------|
| 12                  | 65794 | 0,11         |
| 14                  | 66004 | 0,14         |
| 16                  | 66654 | 0,18         |

- Material: austenitic stainless steel.
- Packaging: 50 pieces.

Best Seller

Standard

On request: minimum quantity may apply. Consult our Customer Service for availability.

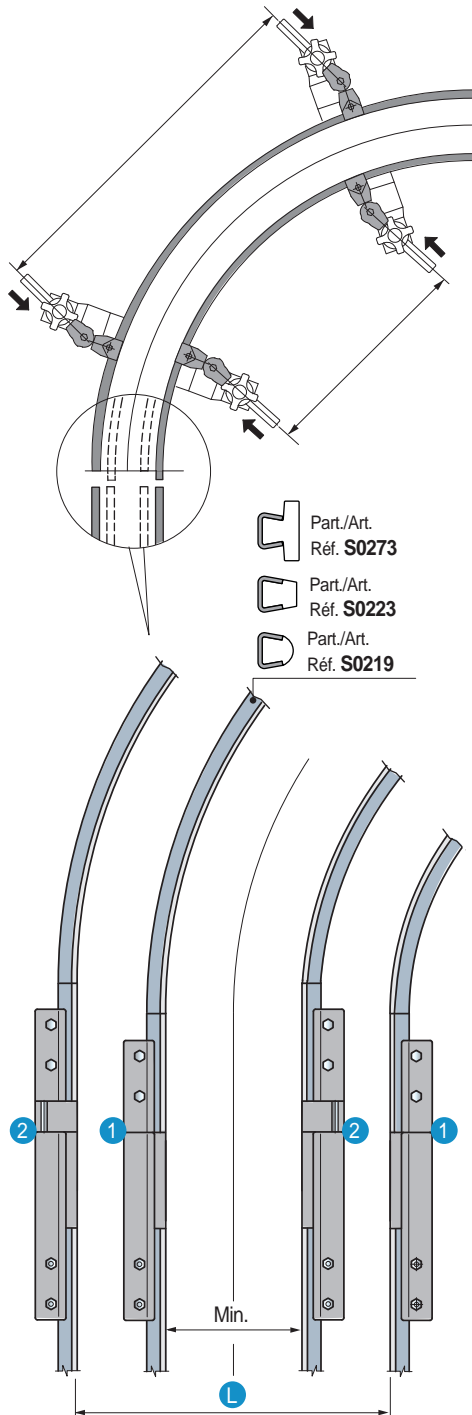
Item code for order = Part. + Code

# Guide - Rail Clamps

for Part. S0223 - S0219 - S0273

• **Assembly** of Part. S0736 - S0737 - S0738

The clamps allows the junction of straight tracks with corner tracks.  
Ideal to adjust the length of side guides near the curves when width adjustment is needed.

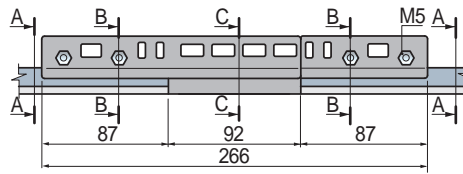


-  Part./Art. Réf. **S0273**
-  Part./Art. Réf. **S0223**
-  Part./Art. Réf. **S0219**

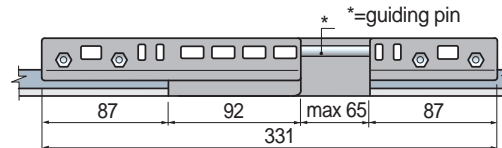
- 1 - Closed clamp.
- 2 - Open clamp.
- L - Size changing width.

■ **Sliding joint clamp**

**Clamp fully closed**



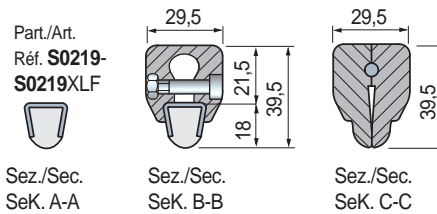
**Clamp fully open**



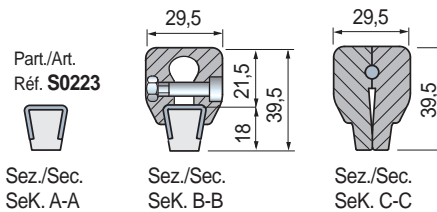
- Part. **S0736**
- Part. **S0737**
- Part. **S0738**



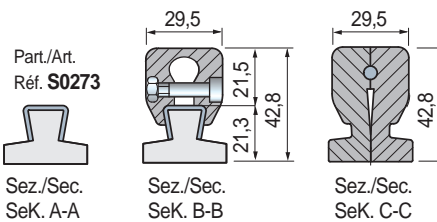
■ **Part. S0736 - Sliding joint clamp for Part. S0219**






■ **Part. S0738 - Sliding joint clamp for Part. S0223**






■ **Part. S0737 - Sliding joint clamp for Part. S0273**



| Type of guides to joint  | Code               | Weight kg |
|--|--------------------|-----------|
|  Part. S0219 - S0219XLF | <b>S0736695402</b> |           |
|  Part. S0223            | <b>S0738695422</b> | 0,24      |
|  Part. S0273            | <b>S0737695412</b> |           |

- Material: clamp in acetal (white).  
Guiding pin in austenitic stainless steel.  
Tightening bolt in austenitic stainless steel.
- Max recommended tightening torque: 0,4 Kgm.
- Packaging: 1 piece.

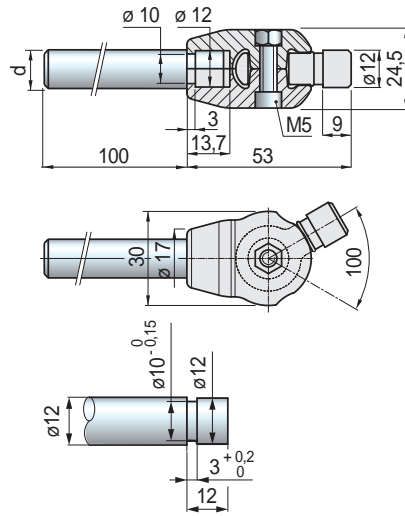
-  **Best Seller**
-  **Standard**
-  **On request:** minimum quantity may apply. Consult our Customer Service for availability.

Item code for order = Part. + Code

Part. S0739  
Part. S0739P



■ Swivel pin connection



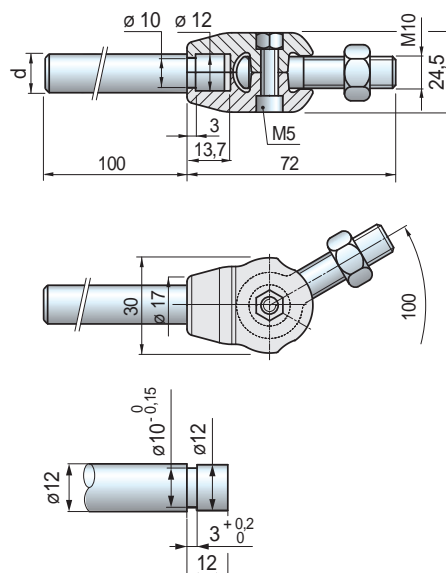
| Version     | Pin dia.<br>d<br>mm | Code          | Weight<br>kg |
|-------------|---------------------|---------------|--------------|
| Without pin | -                   | S0739695522   | 0,01         |
| With pin    | 12                  | S0739P6025830 | 0,12         |

- Material: clamp and eyebolt in reinforced Polyamide PA FV (black). Bolt in austenitic stainless steel. Nut in nickel plated brass.
- Packaging: 20 pieces.

Part. S0740  
Part. S0740P



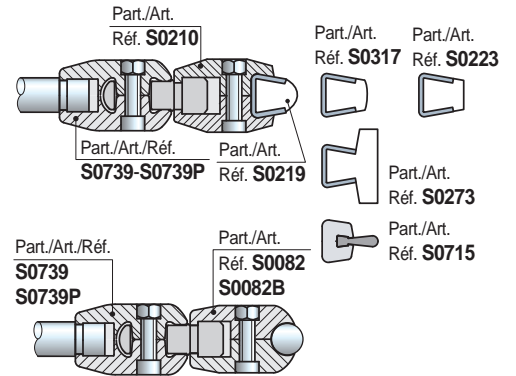
■ Swivel pin connection



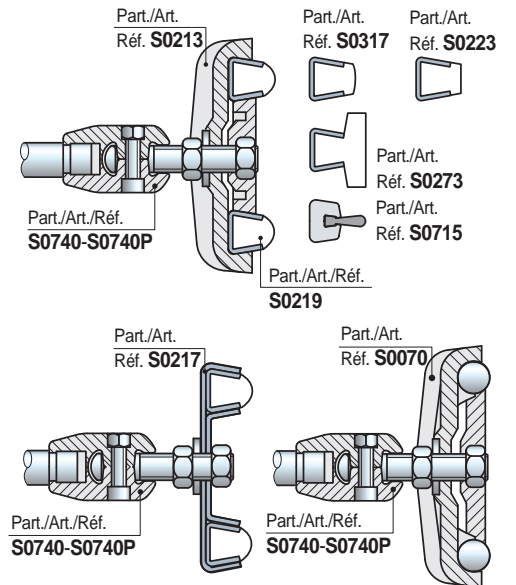
| Version     | Pin dia.<br>d<br>mm | Code          | Weight<br>kg |
|-------------|---------------------|---------------|--------------|
| Without pin | -                   | S0740695532   | 0,01         |
| With pin    | 12                  | S0740P6025930 | 0,12         |

- Material: clamp in reinforced Polyamide PA FV (black). Eyebolt and nut in austenitic stainless steel. Bolt in austenitic stainless steel. Nut in nickel plated brass.
- Packaging: 20 pieces.

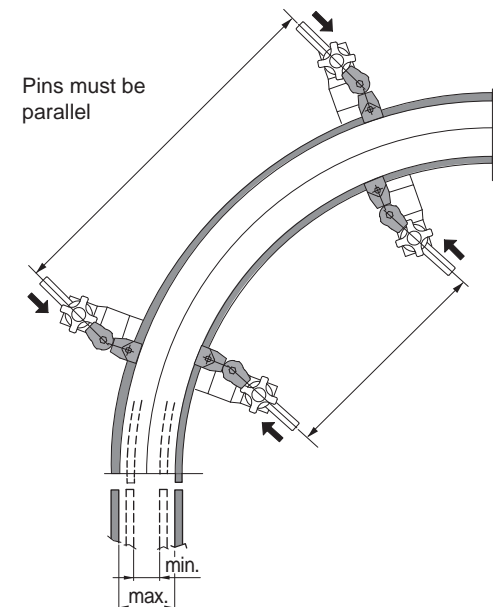
• Assembly of Part. S0739 - S0739P



• Assembly of Part. S0740 - S0740P



- Use of Part. S0739 - S0739P - S0740 - S0740P  
Use for conveyors with (format change). They allow an easy regulation of product-guides on corner tracks. To adjust the guide-rail with format change, untighten the knobs of brackets and slide along the "parallel pins" until the required width.



● Best Seller

● Standard

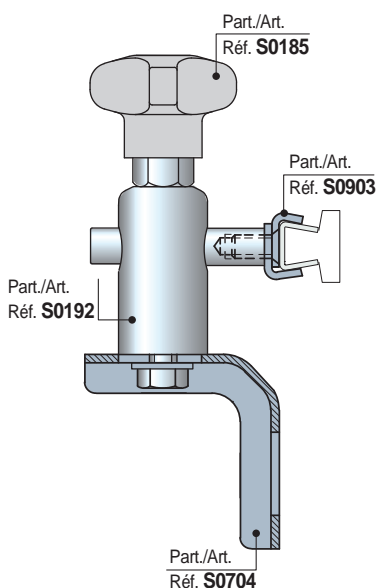
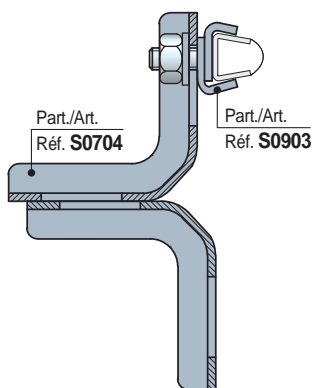
● On request: minimum quantity may apply. Consult our Customer Service for availability.

Item code for order = Part. + Code

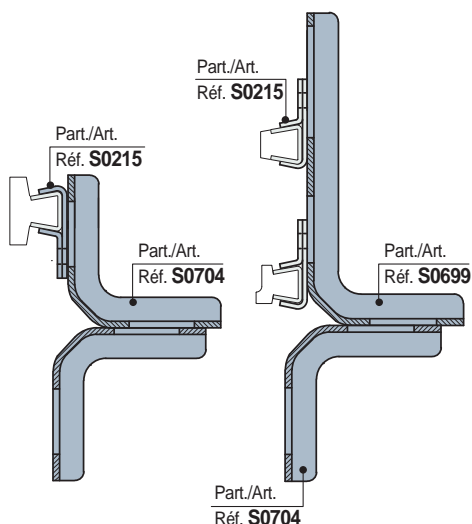
# Guide - Rail Clamps

for Part. S0223 - S0317 - S0219 - S0273 - S0393 - S0596 - S0308 - S0715 - S0765 - S0767 - S0768 - S0769 - S0770

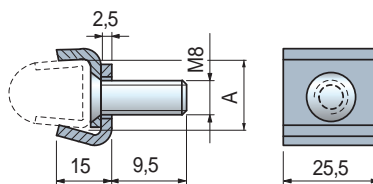
• Assembly of Part. S0903 - S0216



• Assembly of Part. S0215



■ ViseClamp™



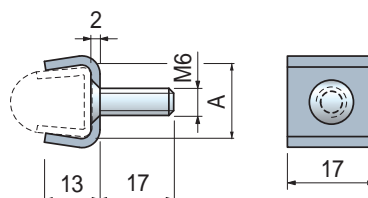
| Use                   | A mm | Code    |
|-----------------------|------|---------|
| For guides with S = 2 | 17   | 656001N |

- Material: austenitic stainless steel.
- Packaging: 50 pieces.

Part. S0903



■ Guide rail clamp



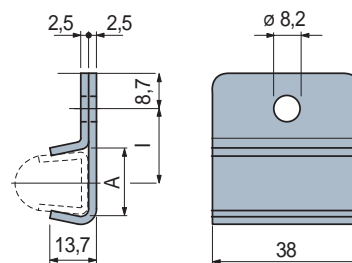
| Use                     | A mm | Code  | Weight kg |
|-------------------------|------|-------|-----------|
| For guides with S = 1,5 | 16   | 60131 | 0,01      |
| For guides with S = 2   | 17   | 64244 |           |

- Material: austenitic stainless steel.
- Packaging: 50 pieces.

Part. S0216



■ Guide rail clamp



| Use                     | A mm | l mm | Code   | Weight kg |
|-------------------------|------|------|--------|-----------|
| For guides with S = 1,5 | 16   | 20,5 | 60121N | 0,04      |
| For guides with S = 2   | 17   | 20   | 65976N |           |

- Material: austenitic stainless steel.
- Packaging: 50 pieces.

Part. S0215



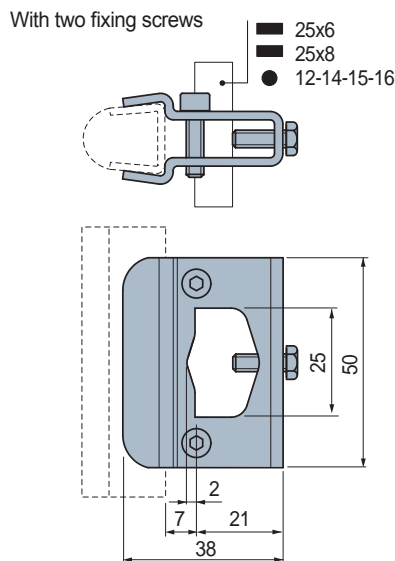
- Best Seller
- Standard
- On request: minimum quantity may apply. Consult our Customer Service for availability.

Item code for order = Part. + Code

for Part. S0223 - S0317 - S0219 - S0273 - S0393 - S0596 - S0308 - S0715 - S0765 - S0767 - S0768 - S0769 - S0770

Part. S0694

■ Guide-rail clamp

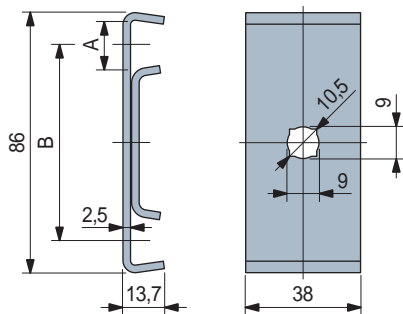


| Code   | Weight kg |
|--------|-----------|
| 689222 | 0,10      |

- Material: clamp and bolt in austenitic stainless steel.  
- Packaging: 16 pieces.

Part. S0217

■ Guide-rail clamp (double)



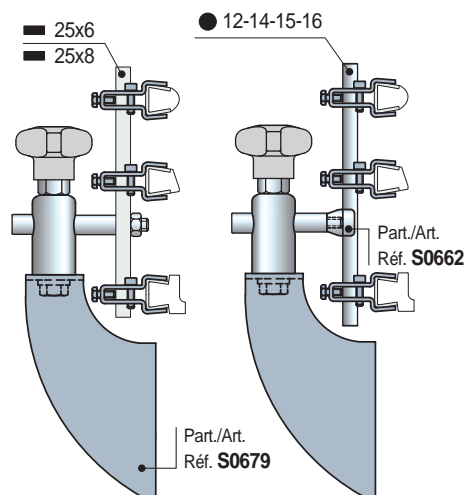
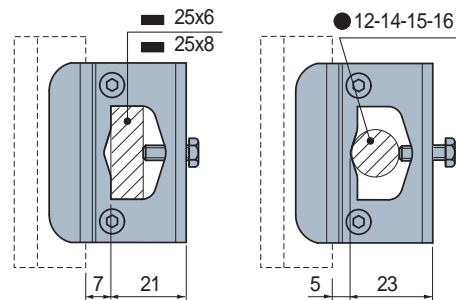
| Use                     | A mm | B mm | Code   | Weight kg |
|-------------------------|------|------|--------|-----------|
| For guides with S = 1,5 | 16   | 64,5 | 60141  | 0,14      |
| For guides with S = 2   | 17   | 63,5 | 695131 |           |

- Material: austenitic stainless steel.  
- Packaging: 50 pieces.  
- Accessories: swivel pin connection Part. S0740 - S0740P.

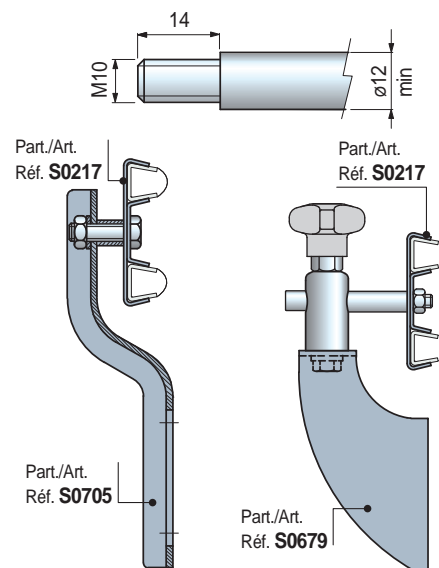
• Assembly of Part. S0694

Fixing on plates

Fixing on rods

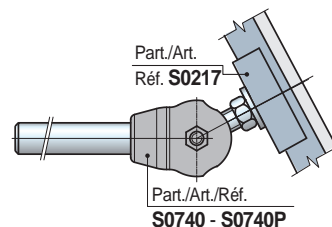


• Pin dimensions for Part. S0217



• Swivel pin connection of Part. S0740 - S0740P

Use for conveyors with (format change). They allow an easy regulation of product-guides on corner tracks.



● Best Seller

● Standard

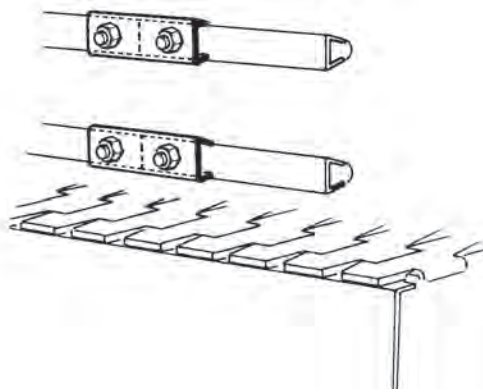
● On request: minimum quantity may apply. Consult our Customer Service for availability.

Item code for order = Part. + Code

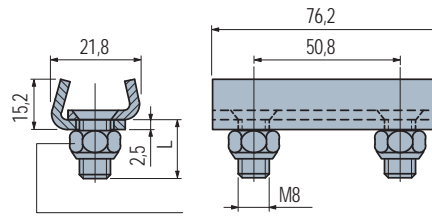
# Guide - Rail Clamps

for Part. S0223 - S0317 - S0219 - S0273 - S0393 - S0596 - S0308 - S0715 - S0765 - S0767 - S0768 - S0769 - S0770

• Assembly of Part. S0902



■ ViseSplice™



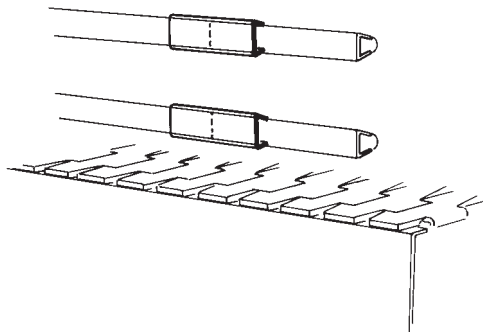
Part. S0902



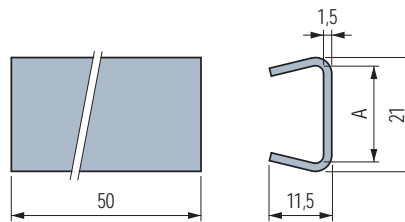
| Use                   | L<br>mm | Code           |
|-----------------------|---------|----------------|
| For guides with S = 2 | 17,5    | <b>656041N</b> |

- Material: austenitic stainless steel.
- Packaging: 50 pieces.

• Assembly of Part. S0214



■ Connecting clamp



Part. S0214



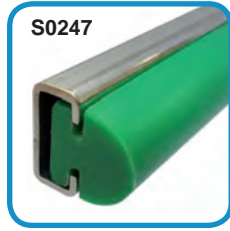
| Use                     | A<br>mm | Code          | Weight<br>kg |
|-------------------------|---------|---------------|--------------|
| For guides with S = 1,5 | 16      | <b>60111</b>  | 0,02         |
| For guides with S = 2   | 17      | <b>644293</b> |              |

- Material: austenitic stainless steel.
- Packaging: 50 pieces.

- **Best Seller**
- **Standard**
- **On request:** minimum quantity may apply. Consult our Customer Service for availability.

Item code for order = Part. + Code

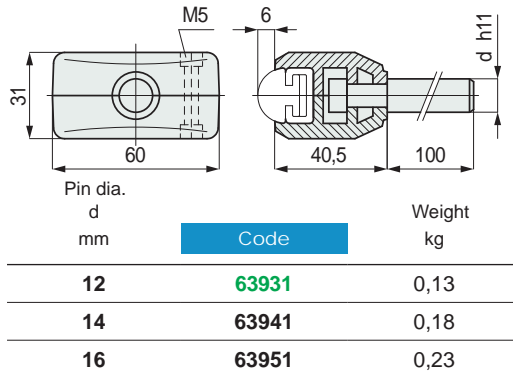
Guide - Rail Clamps for  
• Part. S0247



Part. S0236



■ Guide-rail clamp

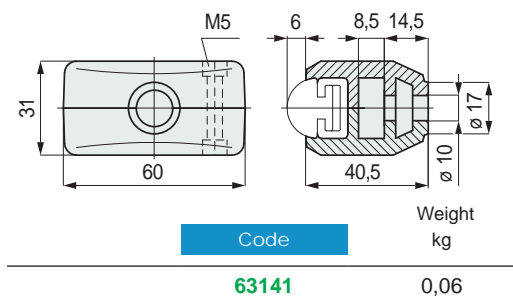


- Material: guide rail clamps in reinforced polyamide PA FV (black).  
Pin in austenitic stainless steel.  
Bolts in austenitic stainless steel. Nuts in nickel plated brass.  
- Packaging: 50 pieces.

Part. S0236



■ Guide-rail clamp

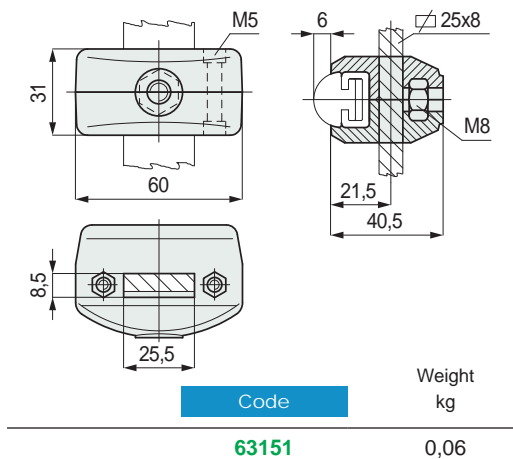


- Material: guide rail clamps in reinforced polyamide PA FV (black).  
Bolts in austenitic stainless steel. Nuts in nickel plated brass.  
- Packaging: 50 pieces.

Part. S0237

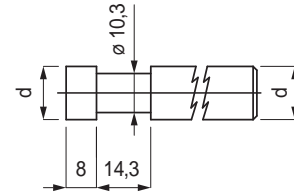


■ Adjustable guide-rail clamp



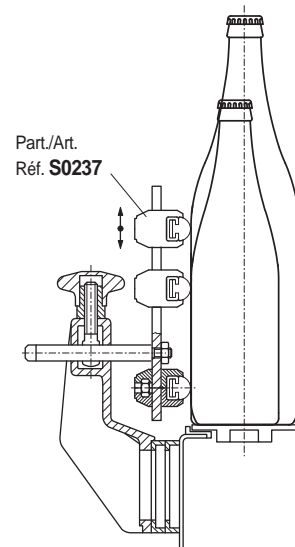
- Material: guide rail clamp in reinforced polyamide PA FV (black).  
Bolts in austenitic stainless steel. Nuts in nickel plated brass.  
- Packaging: 50 pieces.

• Pin dimensions for Part. S0236



• Assembly of Part. S0237

Unlimited height adjustment possible



● Best Seller

● Standard

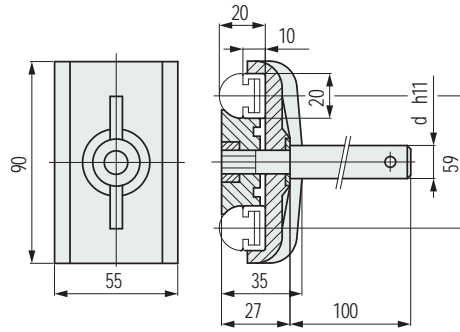
● On request: minimum quantity may apply. Consult our Customer Service for availability.

Item code for order = Part. + Code

# Guide - Rail Clamps

for Part. S0247

## Double guide-rail clamp



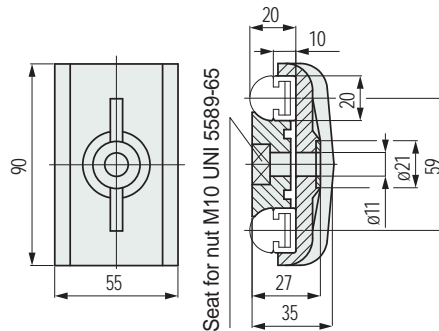
| Pin dia.<br>d<br>mm | Code  | Weight<br>kg |
|---------------------|-------|--------------|
| 12                  | 51590 | 0,20         |
| 14                  | 51600 | 0,23         |
| 16                  | 55010 | 0,26         |

- Material: guide rail clamp in reinforced polyamide PA FV (black). Pin in austenitic stainless steel. Washer in austenitic stainless steel. Nut in nickel plated brass.
- Packaging: 50 pieces.

Part. S0116



## Double guide-rail clamp



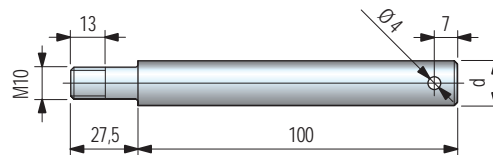
| Code  | Weight<br>kg |
|-------|--------------|
| 51580 | 0,08         |

- Material: guide rail clamp in reinforced polyamide PA FV (black). Washer in austenitic stainless steel.
- State of supply: supplied without tightening nut.
- Packaging: 50 pieces

Part. S0111



## Rod for Part. S0116



| Pin dia.<br>d<br>mm | Code  | Weight<br>kg |
|---------------------|-------|--------------|
| 12                  | 65784 | 0,11         |
| 14                  | 66774 | 0,15         |
| 16                  | 66784 | 0,20         |

- Material: austenitic stainless steel.
- Packaging: 50 pieces.

Part. S0000

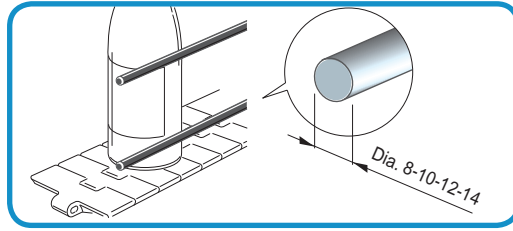


- Best Seller
- Standard
- On request: minimum quantity may apply. Consult our Customer Service for availability.

Item code for order = Part. + Code



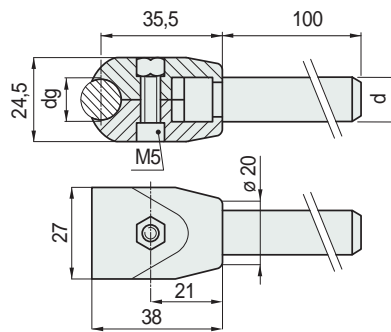
**Guide - Rail Clamps for**  
• Round steel rods



Part. S0082P



■ Guide-rail clamp



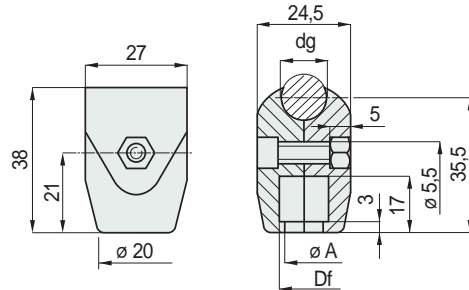
| pin dia.<br>d<br>mm | Guide dia.<br>dg<br>mm | Code    | Weight<br>kg |
|---------------------|------------------------|---------|--------------|
|                     | 10                     | 6827820 |              |
| 12                  | 12                     | 6184910 | 0,12         |
|                     | 14                     | 6185010 |              |
| 14                  | 10                     | 6827920 | 0,15         |
|                     | 12                     | 6185110 |              |
|                     | 14                     | 6185210 |              |

- Material: guide rail clamps in reinforced polyamide PA FV (black).  
Pin in austenitic stainless steel.  
Bolt in austenitic stainless steel. Nut in nickel plated brass.  
- Packaging: 50 pieces.

Part. S0082  
Part. S0082B



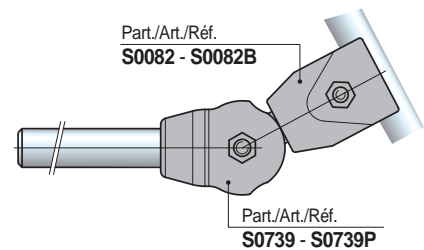
■ Guide-rail clamp



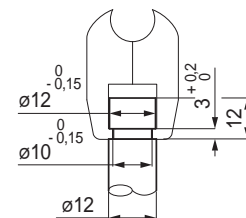
| Use                            | Guide dia.<br>dg<br>mm | Code          | Bore dia.<br>Df<br>mm | dia.<br>A<br>mm | Weight<br>kg |
|--------------------------------|------------------------|---------------|-----------------------|-----------------|--------------|
| <b>Without tightening bolt</b> |                        |               |                       |                 |              |
|                                | 10                     | S0082682742   |                       |                 |              |
| for pins dia.12                | 12                     | S008266861    | 12                    | 10              |              |
|                                | 14                     | S008266871    |                       |                 | 0,01         |
| for pins dia.14                | 10                     | S0082682752   |                       |                 |              |
|                                | 12                     | S008250930    | 13,5                  | 11,5            |              |
|                                | 14                     | S008250940    |                       |                 |              |
| <b>With tightening bolt</b>    |                        |               |                       |                 |              |
|                                | 10                     | S0082B6827620 |                       |                 |              |
| for pins dia.12                | 12                     | S0082B6683800 | 12                    | 10              |              |
|                                | 14                     | S0082B6684800 |                       |                 | 0,01         |
| for pins dia.14                | 10                     | S0082B6827720 |                       |                 |              |
|                                | 12                     | S0082B6072510 | 13,5                  | 11,5            |              |
|                                | 14                     | S0082B6072610 |                       |                 |              |

- Material: guide rail clamps in reinforced polyamide PA FV (black).  
Bolt in austenitic stainless steel. Nut in nickel plated brass.  
- Packaging: 100 pieces.  
- Accessories: swivel pin connection Part. S0739 - S0739P.

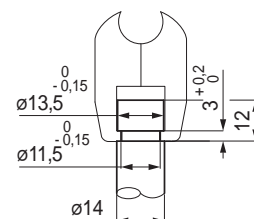
• **Swivel pin connection** Part. S0739 - S0739P  
Use for conveyors with (format change).  
They allow an easy regulation of product-guides on corner tracks.  
See page S112.



• Pin dimensions for Part. S0082 - S0082B  
Pin dia. 12 mm



Pin dia. 12 mm



● Best Seller

● Standard

● On request: minimum quantity may apply. Consult our Customer Service for availability.

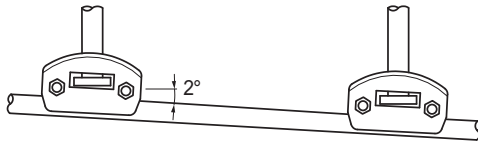
Item code for order = Part. + Code

# Guide - Rail Clamps

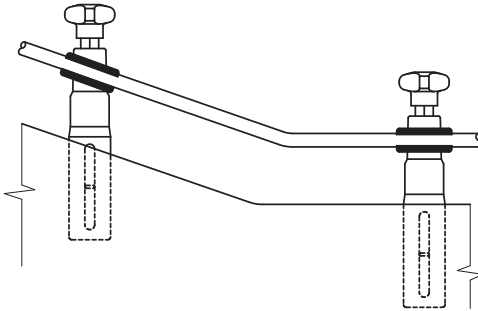
for round steel Rods

• **Assembly of Part. S0478**

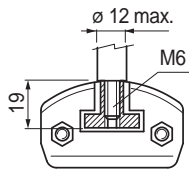
It is possible an inclination of 2° of the guide rail.



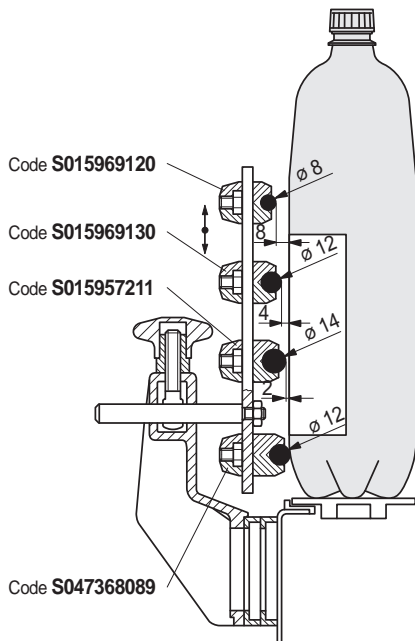
Recommended for inclined conveyors (with any angle).



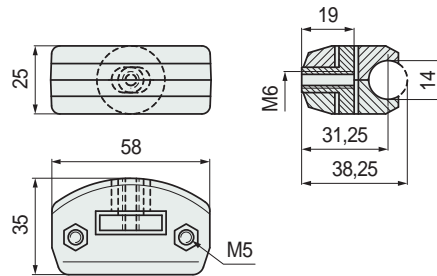
• **Pin dimensions for Part. S0478**



• **Assembly of Part. S0159 - S0437**  
PET bottle movement (subject to swelling).



■ **Pivoting guide-rail clamp**



Part. S0478

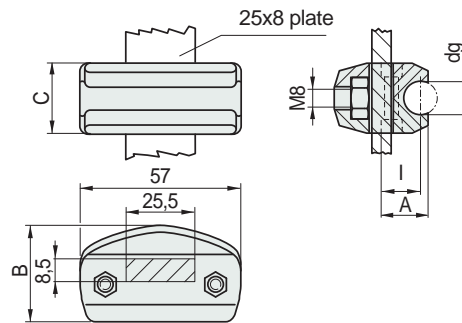


Pivoting

| Code   | Weight kg |
|--------|-----------|
| 670151 | 0,06      |

- Material: guide rail clamp in reinforced polyamide PA FV (black). Insert in brass. Bolts in austenitic stainless steel. Nuts in nickel plated brass.
- Packaging: 50 pieces.

■ **Adjustable guide-rail clamp**



Part. S0159

Part. S0437

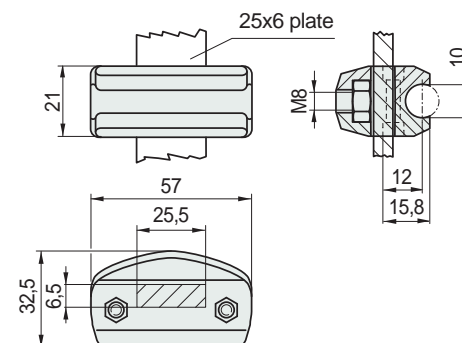


For 25 x 8 plates

| Guide dia. dg mm | I mm | A mm | B mm | C mm | Code        | Weight kg |
|------------------|------|------|------|------|-------------|-----------|
| 8                | 12   | 15,5 | 32,5 | 21   | S015969120  |           |
| 10               | 12   | 15,8 | 32,5 | 21   | S0159622381 |           |
| 12               | 14   | 17,8 | 35   | 25   | S015969130  | 0,05      |
| 14               | 15   | 19,5 | 35   | 25   | S015957211  |           |
| 12               | 18   | 22   | 41   | 25   | S043768089  |           |

- Material: guide rail clamp in reinforced polyamide PA FV (black). Bolts in austenitic stainless steel. Nuts in nickel plated brass.
- Packaging: 50 pieces.

■ **Adjustable guide-rail clamp**



Part. S0451



Per piatti 25 x 6

| Code  | Weight kg |
|-------|-----------|
| 63389 | 0,05      |

- Material: guide rail clamps in reinforced polyamide PA FV (black). Bolt in austenitic stainless steel. Nut in nickel plated brass.
- Packaging: 50 pieces.

● Best Seller

● Standard

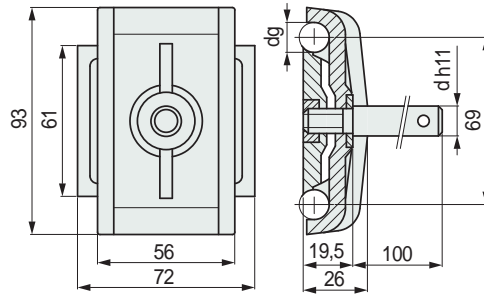
● On request: minimum quantity may apply. Consult our Customer Service for availability.

Item code for order = Part. + Code

### Part. S0071



#### Double guide-rail clamp



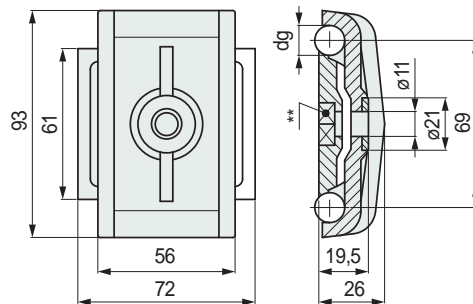
| pin dia.<br>d<br>mm | Guide dia.<br>dg<br>mm | Code   | Weight<br>kg |
|---------------------|------------------------|--------|--------------|
| 12                  | 10                     | 677252 | 0,20         |
|                     | 12                     | 50960  |              |
| 14                  | 10                     | 677262 | 0,22         |
|                     | 12                     | 50970  |              |
| 16                  | 10                     | 677272 | 0,26         |
|                     | 12                     | 50980  |              |

- Material: guide rail clamp in reinforced polyamide PA FV (black).
- Pin in austenitic stainless steel.
- Washer in austenitic stainless steel.
- Nut in nickel plated brass.
- Packaging: 50 pieces.

### Part. S0070



#### Double guide-rail clamp

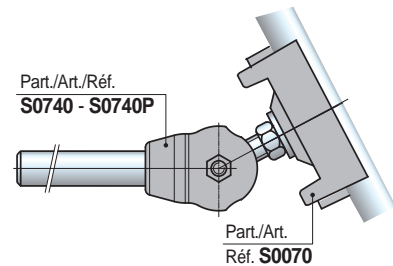


\*\* = Seat for nut M10 UNI 5588

| Pin dia.<br>d<br>mm | Code   | Weight<br>kg |
|---------------------|--------|--------------|
| 10                  | 677242 | 0,09         |
| 12                  | 50950  |              |

- Material: guide rail clamps in reinforced polyamide PA FV (black).
- Washer in austenitic stainless steel.
- State of supply: supplied without tightening nut.
- Packaging: 50 pieces.
- Accessories: swivel pin connection Part. S0740 - S0740P.

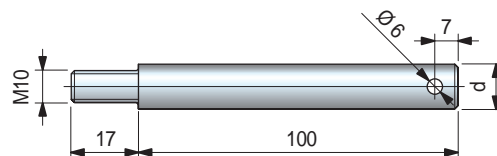
- **Swivel pin connection** Part. S0740 - S0740P  
Use for conveyors with (format change).  
They allow an easy regulation of product-guides on corner tracks.  
See page S112.



### Part. S0000



#### Rod for Part. S0070



| Pin dia.<br>d<br>mm | Code  | Weight<br>kg |
|---------------------|-------|--------------|
| 12                  | 65794 | 0,11         |
| 14                  | 66004 | 0,14         |
| 16                  | 66654 | 0,18         |

- Material: austenitic stainless steel.
- Packaging: 50 pieces.

● Best Seller

● Standard

● On request: minimum quantity may apply. Consult our Customer Service for availability.

Item code for order = Part. + Code

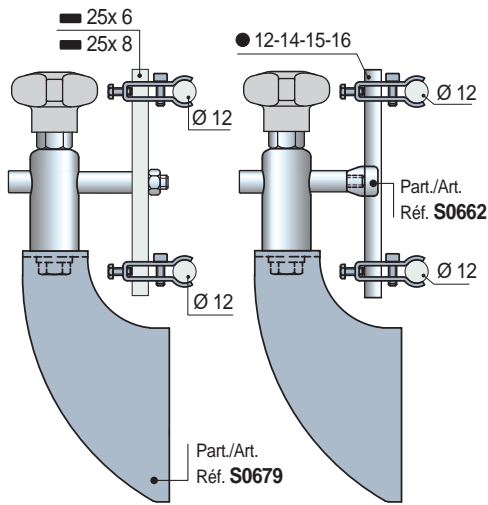
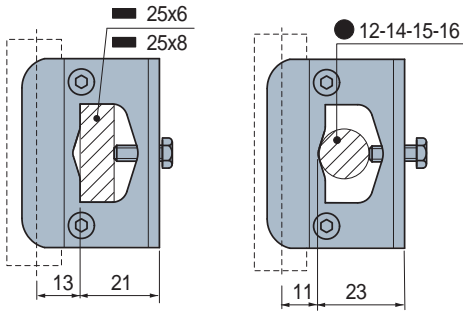
# Guide - Rail Clamps

for round steel Rods

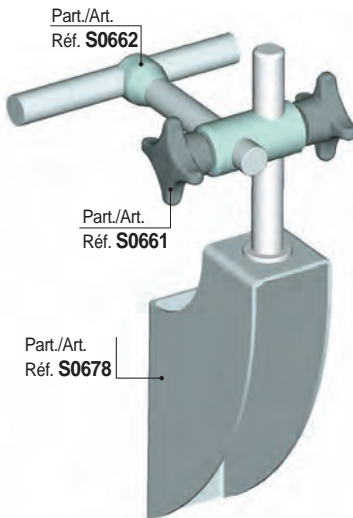
• Assembly of Part. S0698

Fixing on plates

Fixing on rods

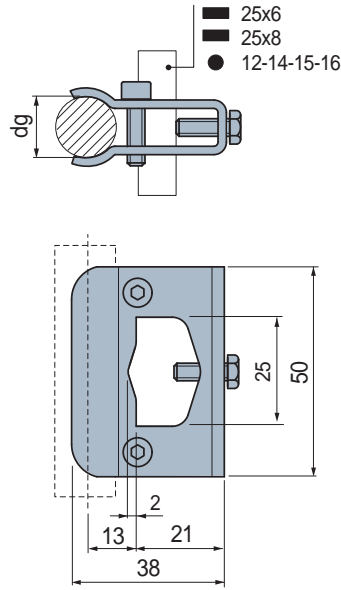


• Assembly of Part. S0662



■ Guide-rail clamp

With two fixing screws



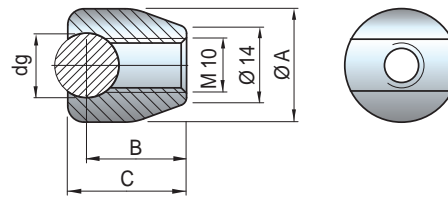
| Guide dia.<br>d<br>mm | Code   | Weight<br>kg |
|-----------------------|--------|--------------|
| 12                    | 689202 | 0,10         |

- Material: clamp and bolt in austenitic stainless steel.
- Packaging: 16 pieces.

Part. S0698



■ Guide-rail clamp



| Guide dia.<br>dg<br>mm | Code   | dia. A<br>mm | B<br>mm | C<br>mm | Weight<br>kg |
|------------------------|--------|--------------|---------|---------|--------------|
| 10                     | 669542 | 20           | 17,5    | 20      | 0,03         |
| 12                     | 669552 | 21           | 18,5    | 22      |              |
| 14                     | 669562 | 23           | 19,5    | 24      |              |

- Material: austenitic stainless steel.
- Packaging: 50 pieces.

Part. S0662



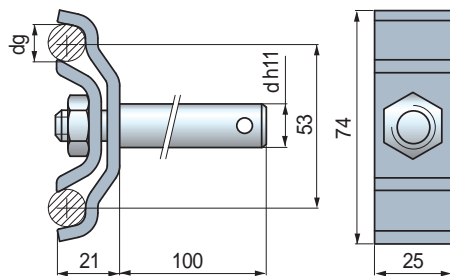
- Best Seller
- Standard
- On request: minimum quantity may apply. Consult our Customer Service for availability.

Item code for order = Part. + Code

### Part. S0050



#### Double guide-rail clamp



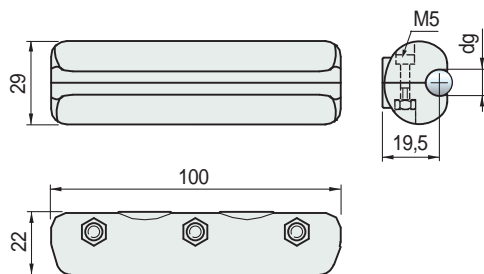
| Guide dia.<br>dg<br>mm | pin dia.<br>d<br>mm | Code   | Weight<br>kg |
|------------------------|---------------------|--------|--------------|
|                        | 12                  | 53801  | 0,34         |
| 12                     | 14                  | 51000  | 0,36         |
|                        | 16                  | 647871 | 0,38         |

- Material: guide rail clamp and tightening nut in austenitic stainless steel. Pin in austenitic stainless steel.
- Packaging: 50 pieces.

### Part. S0676



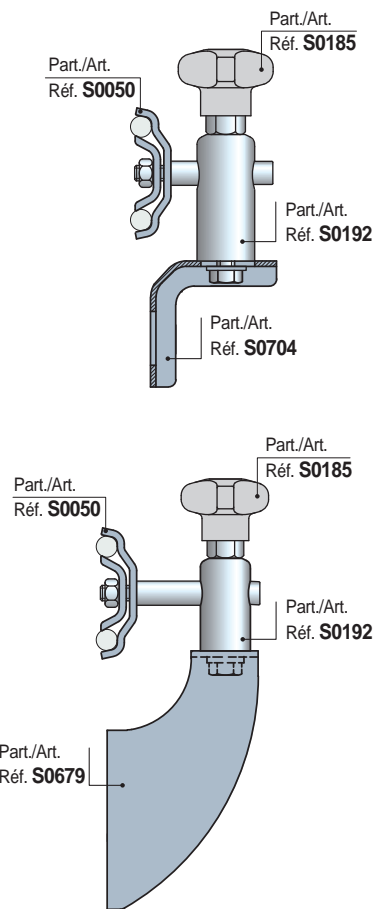
#### Joint clamp



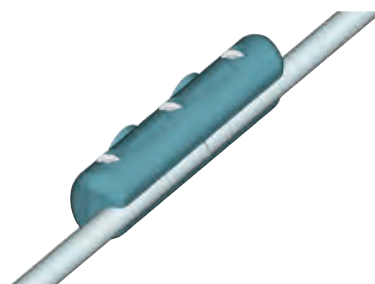
| Guide dia.<br>dg<br>mm | Code   | Weight<br>kg |
|------------------------|--------|--------------|
| 10                     | 689682 |              |
| 12                     | 689692 | 0,10         |

- Material: joint clamp in reinforced Polyamide PA FV (black). Bolts in austenitic stainless steel. Nuts in nickel plated brass.
- Packaging: 10 pieces.

#### Assembly of Part. S0050



- Use of Part. S0676  
New split joint clamp, to be used for the junction of dia. 10 - 12 round guides.



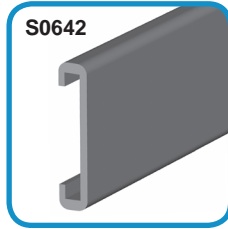
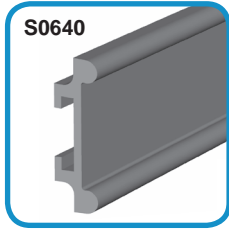
● Best Seller

● Standard

● On request: minimum quantity may apply. Consult our Customer Service for availability.

Item code for order = Part. + Code

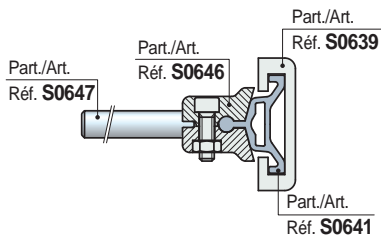
# Guide - Rail Clamps



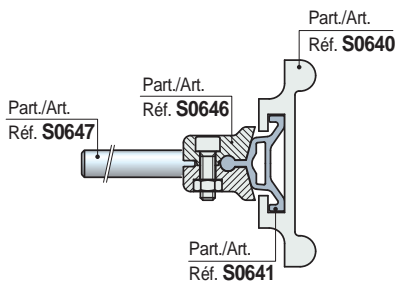
## Guide - Rail Clamps for

- Part. S0639
- Part. S0640
- Part. S0642

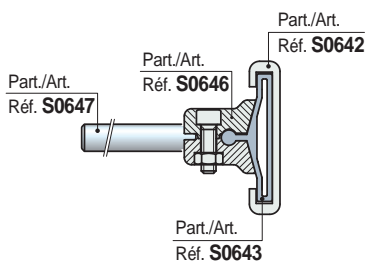
### • Assembly of Part. S0639



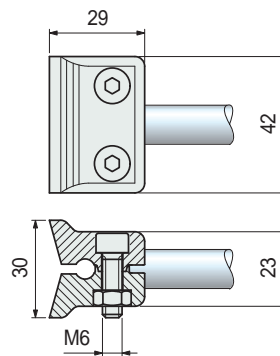
### • Assembly of Part. S0640



### • Assembly of Part. S0642



### ■ Guide-rail clamp

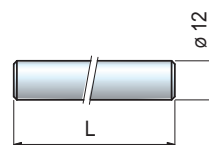


Code

**652362**

- Material: clamp in poliketone (black).
- Bolts and nuts in stainless steel.
- Packaging: 50 pieces.

### ■ Rod



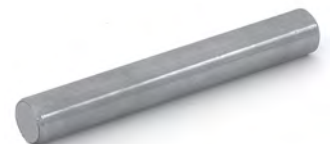
| L<br>mm | Code          | Weight<br>kg |
|---------|---------------|--------------|
| 100     | <b>652372</b> | 0,09         |
| 150     | <b>652382</b> | 0,13         |
| 200     | <b>652392</b> | 0,18         |
| 250     | <b>652402</b> | 0,22         |

- Material: ferritic stainless steel.
- Packaging: 50 pieces.

## Part. S0646



## Part. S0647



● Best Seller

● Standard

● On request: minimum quantity may apply. Consult our Customer Service for availability.

Item code for order = Part. + Code

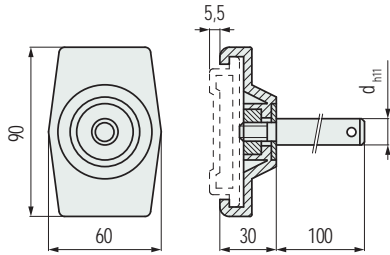
Guide - Rail Clamps for  
• Part. S0191



Part. S0190



■ Guide-rail clamp

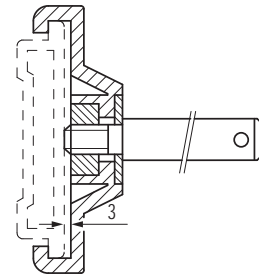


| Pin dia.<br>d<br>mm | Code  | Weight<br>kg |
|---------------------|-------|--------------|
| 12                  | 55741 | 0,18         |
| 14                  | 55751 | 0,22         |
| 16                  | 55761 | 0,25         |

- Material: guide rail clamp in reinforced polyamide PA FV (black). Pin in austenitic stainless steel. Washer in austenitic stainless steel. Nut in nickel plated brass.
- Packaging: 50 pieces.
- **Suitable to use in curves also.**

• Assembly of Part. S0190

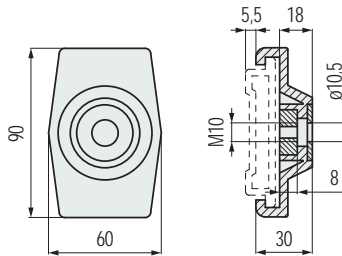
The protrusion of the pin allows the guide to be locked axially.



Part. S0184



■ Guide-rail clamp



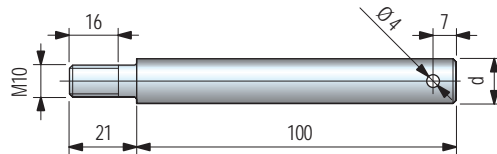
| Code  | Weight<br>kg |
|-------|--------------|
| 54961 | 0,09         |

- Material: guide rail clamp in reinforced polyamide PA FV (black). Washer in austenitic stainless steel. Nut in nickel plated brass.
- Packaging: 50 pieces.
- **Suitable to use in curves also.**

Part. S0000



■ Rod for Part. S0184



| Pin dia.<br>d<br>mm | Code  | Weight<br>kg |
|---------------------|-------|--------------|
| 12                  | 66794 | 0,11         |
| 14                  | 66804 | 0,14         |
| 16                  | 66814 | 0,19         |

- Material: austenitic stainless steel.
- Packaging: 50 pieces.

● Best Seller

● Standard

● On request: minimum quantity may apply. Consult our Customer Service for availability.

Item code for order = Part. + Code

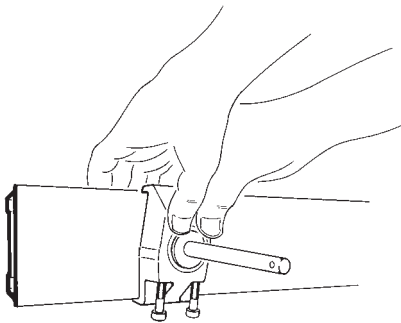
# Guide - Rail Clamps



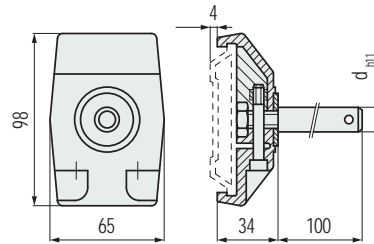
Guide - Rail Clamps for  
• Part. S0296

• Assembly of Part. S0298

- 1) Untighten the screws
- 2) Clip on to the profile
- 3) Slide along the guide to the desired position and tighten screws to lock in place.



■ Guide-rail clamp



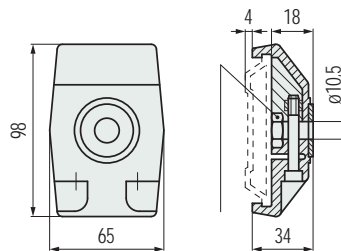
| Pin dia.<br>d<br>mm | Code  | Weight<br>kg |
|---------------------|-------|--------------|
| 12                  | 60372 | 0,12         |
| 14                  | 60382 | 0,25         |
| 16                  | 60392 | 0,29         |

- Material: guide rail clamp in reinforced polyamide PA FV (black). Pin in austenitic stainless steel. Washer in austenitic stainless steel. Nut in nickel plated brass.
- Packaging: 50 pieces.
- Suitable to use in curves also.

Part. S0298



■ Guide-rail clamp



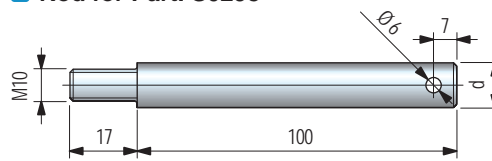
| Code  | Weight<br>kg |
|-------|--------------|
| 60362 | 0,12         |

- Material: guide rail clamp in reinforced polyamide PA FV (black). Washer in austenitic stainless steel. Nut in nickel plated brass.
- Packaging: 50 pieces.
- Suitable to use in curves also.

Part. S0298



■ Rod for Part. S0298



| Pin dia.<br>d<br>mm | Code  | Weight<br>kg |
|---------------------|-------|--------------|
| 12                  | 65794 | 0,11         |
| 14                  | 66004 | 0,14         |
| 16                  | 66654 | 0,18         |

- Material: austenitic stainless steel.
- Packaging: 50 pieces.

Part. S0000



- Best Seller
- Standard
- On request: minimum quantity may apply. Consult our Customer Service for availability.

Item code for order = Part. + Code



Guide - Rail Clamps for

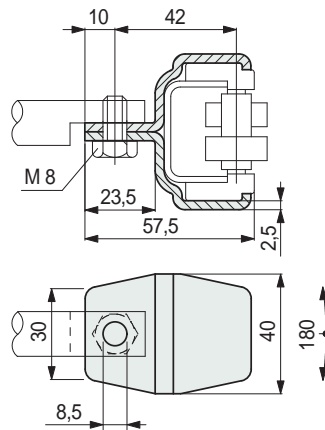
- Part. S0128S
- Part. S0128



Part. S0373



■ Guide-rail clamp



| Material                   | Code  | Weight kg |
|----------------------------|-------|-----------|
| Austenitic stainless steel | 63506 | 0,11      |
| Zinc plated steel          | 64156 |           |

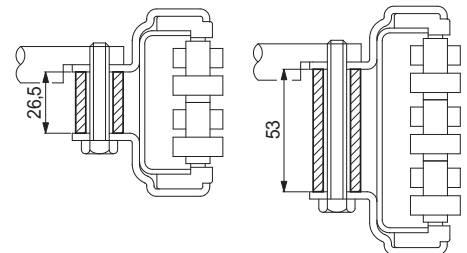
- Packaging: 50 pieces.
- Suitable to use in curves also.

• Assembly of Part. S0373

For the use of double and triple execution rails it is necessary a spacer.

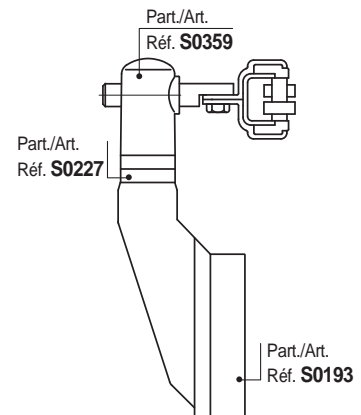
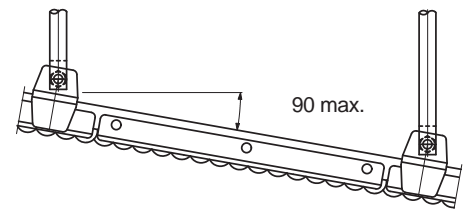
Spacer for double execution guide rail

Spacer for triple execution guide rail



Spacer not included

The clamp allow the guide to be mounted at an angle



- Best Seller
- Standard
- On request: minimum quantity may apply. Consult our Customer Service for availability.

Item code for order = Part. + Code

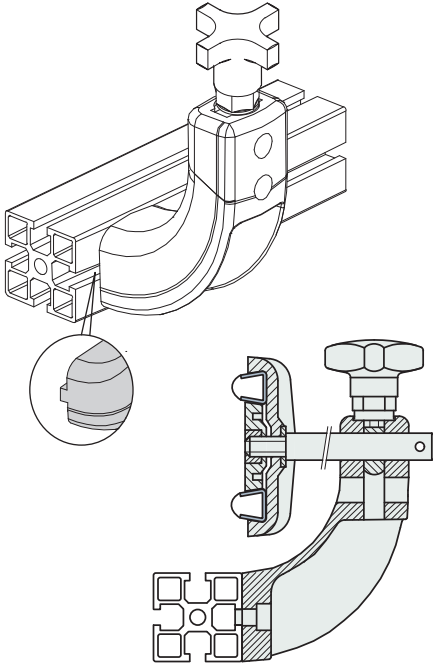
# Guide - Rail Brackets

Part. S0708

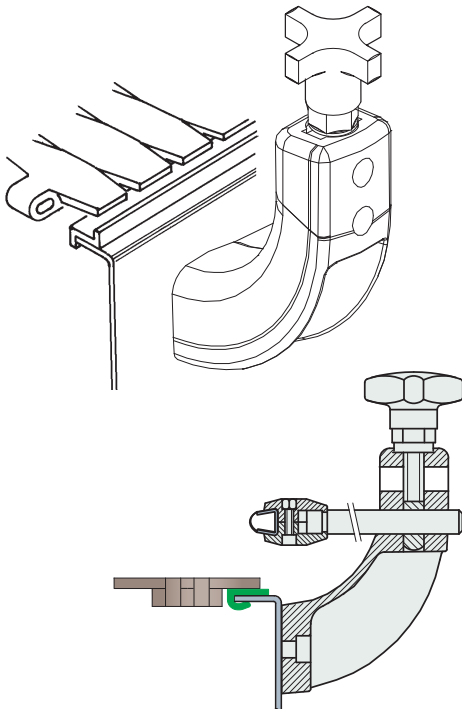
• **Characteristics** of Part. S0708

- Bracket with a reduced structure-connecting size.
- Available with positioning guide for an easy assembly on aluminium sections.
- The two holes allows to position the guide-rail bracket in two different heights depending on specific requirements.

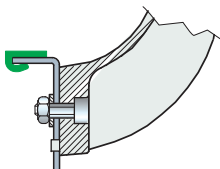
• **Assembly version with positioning guide**



• **Assembly version without positioning guide**

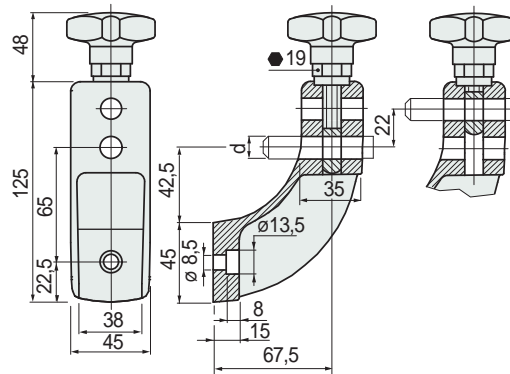


• **Assembly version with centering pin**

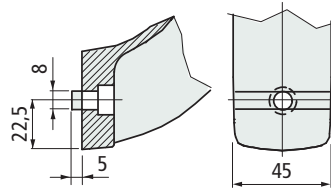


■ **Bracket with two holes**

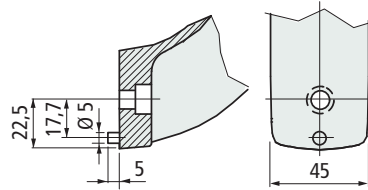
**Version without positioning guide**



**Version with positioning guide**



**Version with centering pin**



| Pin dia.<br>d<br>mm                      | Code          | Weight<br>kg |
|--|---------------|--------------|
| <b>Version without positioning guide</b> |               |              |
| 12                                       | <b>692502</b> |              |
| 14                                       | <b>693092</b> | 0,23         |
| 16                                       | <b>692512</b> |              |
| <b>Version with positioning guide</b>    |               |              |
| 12                                       | <b>692482</b> |              |
| 14                                       | <b>693082</b> | 0,23         |
| 16                                       | <b>692492</b> |              |
| <b>Version with centering pin</b>        |               |              |
| 12                                       | <b>605603</b> |              |
| 14                                       | <b>605613</b> | 0,23         |
| 16                                       | <b>605623</b> |              |

- Material: bracket and knob in reinforced polyamide PA FV (black). Hexagonal insert (for 19 mm wrench) in nickel plated brass. Eyebolt in austenitic stainless steel.
- Max recommended tightening torque: 4 Kgm.
- Packaging: 50 pieces.

● **Best Seller**

● **Standard**

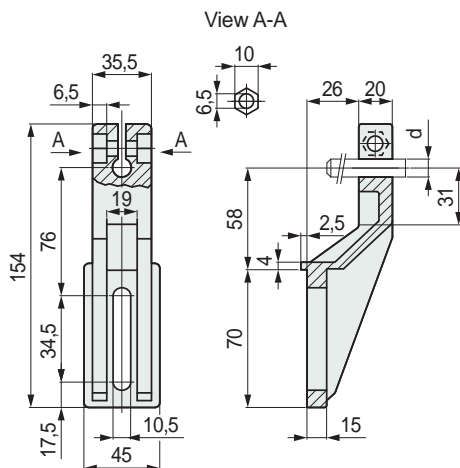
● **On request:** minimum quantity may apply. Consult our Customer Service for availability.

Item code for order = Part. + Code

Part. S0081



Bracket



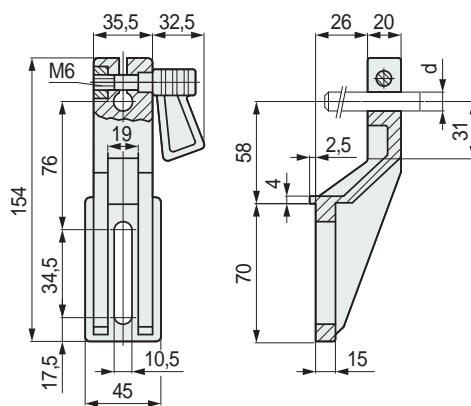
| Material                | Pin dia.<br>d<br>mm | Code  | Weight<br>kg |
|-------------------------|---------------------|-------|--------------|
| Polyamide PA<br>(black) | 12                  | 50770 | 0,11         |
|                         | 14                  | 50780 |              |

- Standard packaging: supplied without tightening bolt.
- Tightening bolt required: bolt M6 x 25 UNI 5931, DIN 912. Nut M6 UNI 5587-68.
- Max recommended tightening torque: 0,6 Kgm.
- Packaging: 50 pieces.

Part. S0088



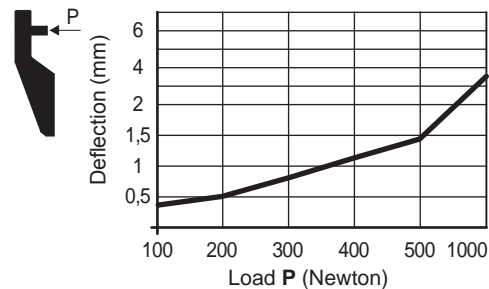
Bracket with ratchet handle clamping



| Material                | Pin dia.<br>d<br>mm | Code  | Weight<br>kg |
|-------------------------|---------------------|-------|--------------|
| Polyamide PA<br>(black) | 12                  | 50730 | 0,15         |
|                         | 14                  | 50740 |              |

- Ratchet lever material: grip in acetal POM (black), threaded shank in austenitic stainless steel, fixing nut in nickel plated brass.
- Max recommended tightening torque: 0,6 Kgm.
- Packaging: 50 pieces.

Deflection of Part. S0081 - S0088



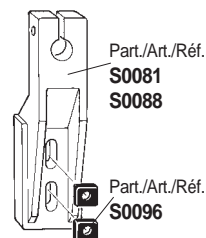
Technical data Part. S0081 - S0088

- Sliding load resistance: 1020 N (with d = 12), 2000 N (with d = 14)
- Breaking load: 2500 N

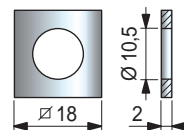
Tests performed at tightening torque: 0,6 Kgm

Accessories

Square washer Part. S0096. Applicable to Part. S0081 - S0088 distributes force from tightening over larger area.

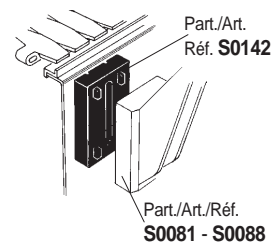


Square washer Part. S009651550. Material: austenitic stainless steel. Packaging: 200 pieces.



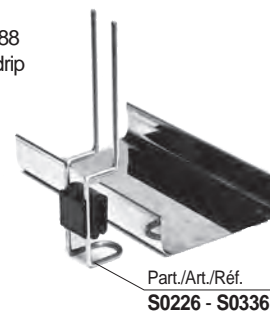
Accessories

Spacer Part. S0142, Applicable to Part. S0081 - S0088.



Assembly of drip tray support

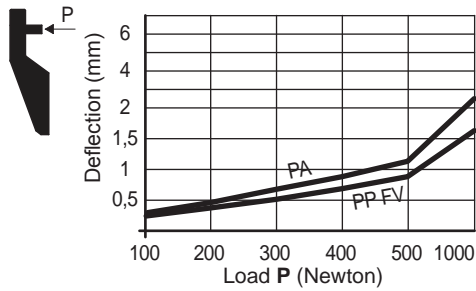
Part. S0226 - S0336. Part. S0081 and S0088 permit application of drip tray support.



- Best Seller
- Standard
- On request: minimum quantity may apply. Consult our Customer Service for availability.

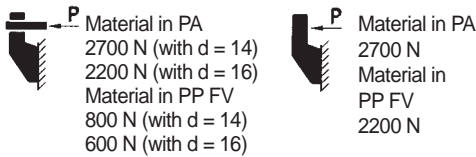
Item code for order = Part. + Code

• Deflection of Part. S0072 - S0089



• Technical data Part. S0072

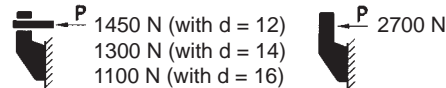
- Sliding load resistance: - Breaking load:



Tests performed at tightening torque: 1 Kgm

• Technical data Part. S0089

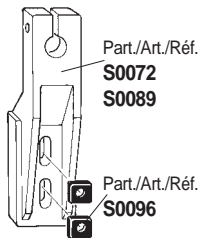
- Sliding load resistance: - Breaking load:



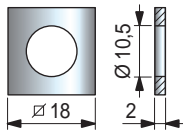
Tests performed at tightening torque: 0,6 Kgm

• Accessories

Square washer Part. S0096.  
Applicable to Part. S0072 - S0089 distributes force from tightening over larger area.

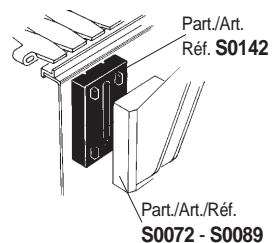


Square washer Part. S009651550.  
Material: austenitic stainless steel.  
Packaging: 200 pieces.



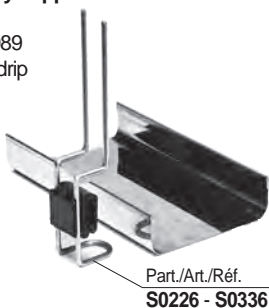
• Accessories

Spacer Part. S0142,  
Applicable to Part. S0072 - S0089.

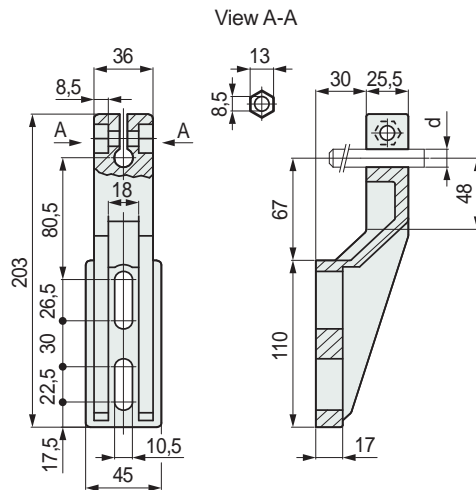


• Assembly of drip tray support

Part. S0226 - S0336.  
Part. S0072 and S0089 permit application of drip tray support.



■ Bracket



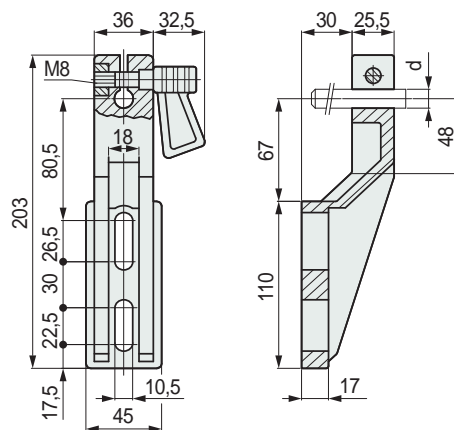
| Material                              | Pin dia. d mm | Code  | Weight kg |
|---------------------------------------|---------------|-------|-----------|
| Polyamide PA (black)                  | 14            | 50790 | 0,17      |
|                                       | 16            | 50800 |           |
| Reinforced polypropylene PP FV (nero) | 14            | 57120 | 0,17      |
|                                       | 16            | 57130 |           |

- Standard packaging: supplied without tightening bolt.
- Tightening bolt required: bolt M8 x 25 UNI 5931, DIN 912. Nut M8 UNI 5587-68.
- Max recommended tightening torque: 1 Kgm.
- Packaging: 50 pieces.

Part. S0072



■ Bracket with ratchet handle clamping



| Material             | Pin dia. d mm | Code  | Weight kg |
|----------------------|---------------|-------|-----------|
| Polyamide PA (black) | 12            | 69705 | 0,22      |
|                      | 14            | 50750 |           |
|                      | 16            | 50760 |           |

- Standard packaging: supplied without tightening bolt.
- Tightening bolt required: bolt M6 x 25 UNI 5931, DIN 912. Nut M6 UNI 5587-68.
- Max recommended tightening torque: 0,6 Kgm.
- Packaging: 50 pieces.

Part. S0089



● Best Seller

● Standard

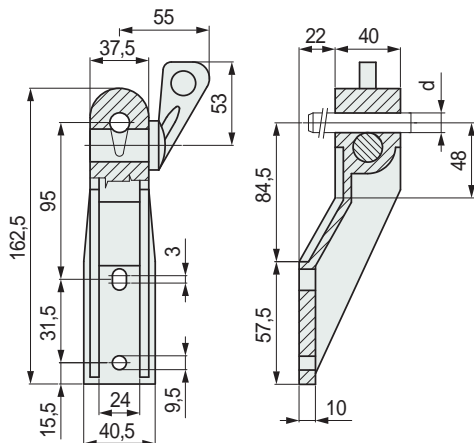
● On request: minimum quantity may apply. Consult our Customer Service for availability.

Item code for order = Part. + Code

Part. S0085



Bracket with eccentric lever



| Material                              | Pin dia. d mm | Code  | Weight kg |
|---------------------------------------|---------------|-------|-----------|
| Reinforced polypropylene PP FV (nero) | 12            | 50810 | 0,13      |
|                                       | 14            | 50820 |           |

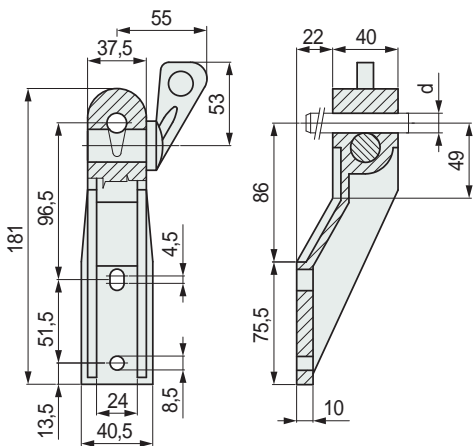
- Packaging: 50 pieces.

Part. S0010

Part. S0097



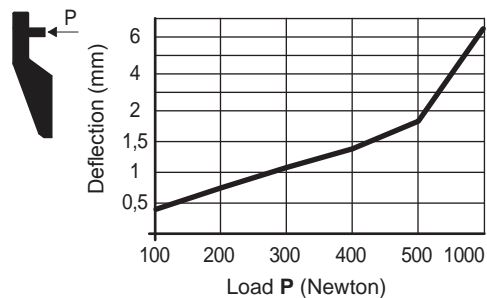
Bracket with eccentric lever



| Material                              | Pin dia. d mm | Code       | Weight kg |
|---------------------------------------|---------------|------------|-----------|
| Reinforced polyamide PA FV (black)    | 14            | S001050840 | 0,14      |
| Reinforced polypropylene PP FV (nero) | 12            | S009750850 | 0,14      |
|                                       | 14            | S009750860 |           |

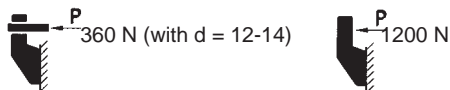
- Packaging: 50 pieces.

Deflection of Part. S0085



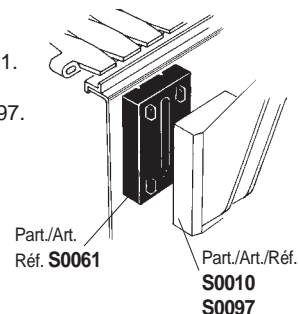
Technical data Part. S0085

- Sliding load resistance: - Breaking load:



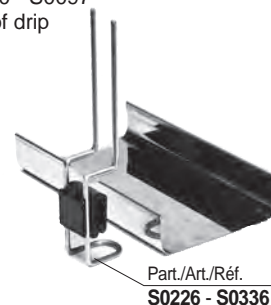
Accessories

Spacer Part. S0061. Applicable to Part. S0010 - S0097.

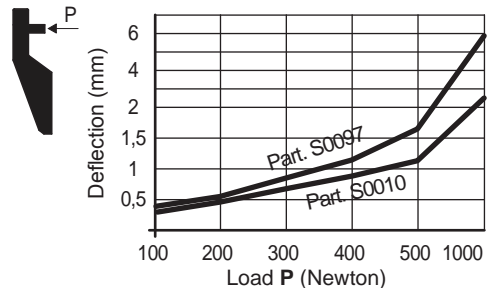


Assembly of drip tray support

Part. S0226 - S0336. Part. S0085 - S0010 - S0097 permit application of drip tray support.

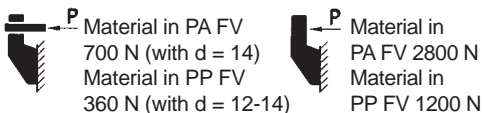


Deflection of Part. S0010 - S0097



Technical data Part. S0010 - S0097

- Sliding load resistance: - Breaking load:



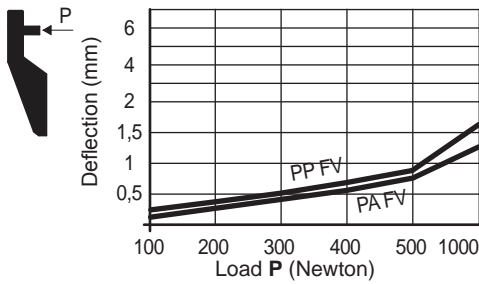
Best Seller

Standard

On request: minimum quantity may apply. Consult our Customer Service for availability.

Item code for order = Part. + Code

• Deflection of Part. S0107



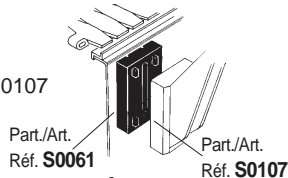
• Technical data Part. S0107

|                            |                      |
|----------------------------|----------------------|
| - Sliding load resistance: | - Breaking load:     |
| Material in PA FV          | Material in PA FV    |
| 2000 N (with d = 12)       | 4500 N               |
| 3200 N (with d = 14)       | Material in PP FV    |
| Material in PP FV          | 1300 N (with d = 12) |
| 1300 N (with d = 12)       | 1700 N (with d = 14) |
| 1700 N (with d = 14)       | 3300 N               |

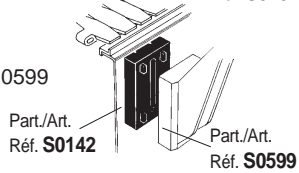
Tests performed at tightening torque: 4 Kgm

• Accessories

Spacer Part. S0061.  
Applicable to Part. S0107



Spacer Part. S0142.  
Applicable to Part. S0599



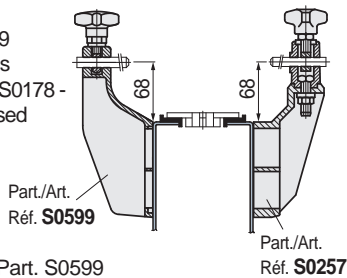
• Assembly of drip tray support

Part. S0226 - S0336.  
Part. S0107 e S0599  
permit application of drip  
tray support.

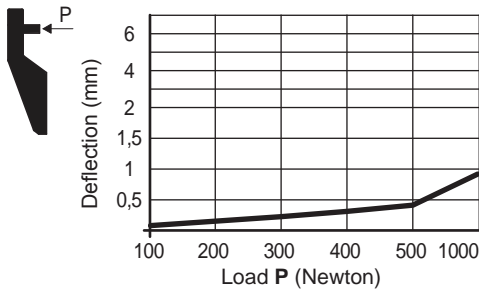


Part./Art./Réf.  
**S0226 - S0336**

• Use Part. S0599  
Same dimensions  
as Part. S0163 - S0178 -  
S0257, can be used  
alternatively.



• Deflection of Part. S0599

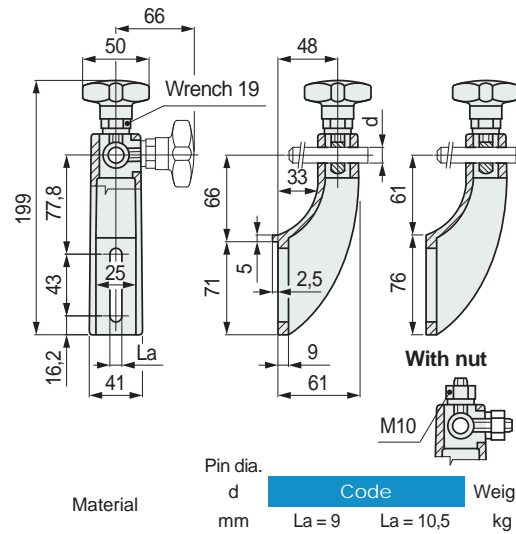


• Technical data Part. S0599

|                            |                  |
|----------------------------|------------------|
| - Sliding load resistance: | - Breaking load: |
| 2000 N (with d = 12)       | 3000 N           |

Tests performed at tightening torque: 4 Kgm

■ Bracket with eyebolt



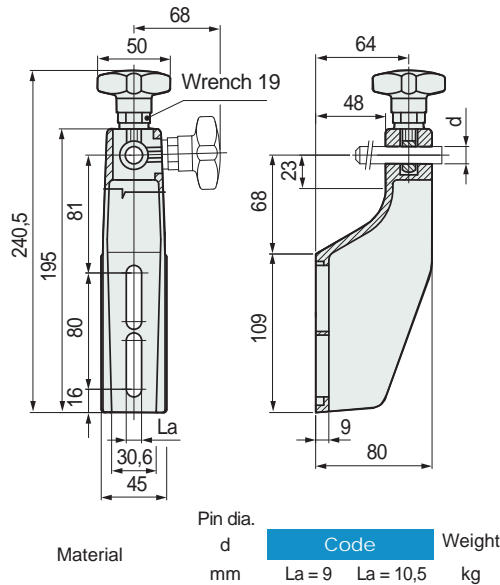
| Material                   | Pin dia.<br>d<br>mm | Code    |           | Weight<br>kg |
|----------------------------|---------------------|---------|-----------|--------------|
|                            |                     | La = 9  | La = 10,5 |              |
| <b>With lip</b>            |                     |         |           |              |
| Reinforced polyamide PA FV | 12                  | 50710N  | 68200N    | 0,15         |
|                            | 14                  | 67811N  | 67821N    |              |
|                            | 16                  | 655512N | 655522N   |              |
| <b>Without lip</b>         |                     |         |           |              |
| Reinforced polyamide PA FV | 12                  | 650453N | 650513N   | 0,15         |
|                            | 14                  | 650463N | 650522N   |              |
|                            | 16                  | 650473N | 650533N   |              |

Part. S0107



- On request version with nut M10, without knob.
- Material: knob in reinforced polyamide (black), exagonal insert (for 19 mm wrench) in nickel plated brass, eyebolt in austenitic stainless steel.
- Colour: black.
- Max recommended tightening torque: 4 Kgm.
- Packaging: 50 pieces.

■ Bracket with eyebolt



| Material                   | Pin dia.<br>d<br>mm | Code   |           | Weight<br>kg |
|----------------------------|---------------------|--------|-----------|--------------|
|                            |                     | La = 9 | La = 10,5 |              |
| Reinforced polyamide PA FV | 12                  | 611293 | 613572    | 0,11         |
|                            | 16                  | 611303 | 655592    |              |

Part. S0599



- Material: knob in reinforced polyamide (black), exagonal insert (for 19 mm wrench) in nickel plated brass, eyebolt in austenitic stainless steel.
- Colour: black.
- Max recommended tightening torque: 4 Kgm.
- Packaging: 50 pieces.

● Best Seller

● Standard

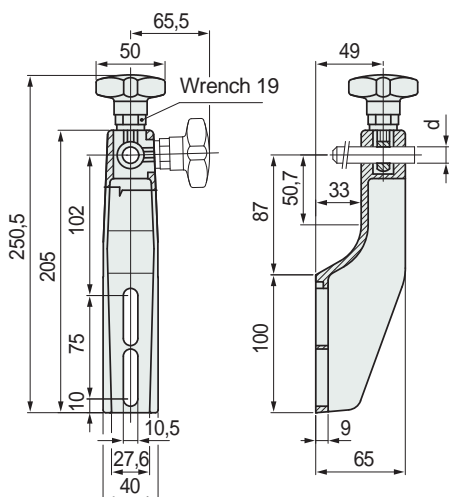
● On request: minimum quantity may apply. Consult our Customer Service for availability.

Item code for order = Part. + Code

Part. S0617



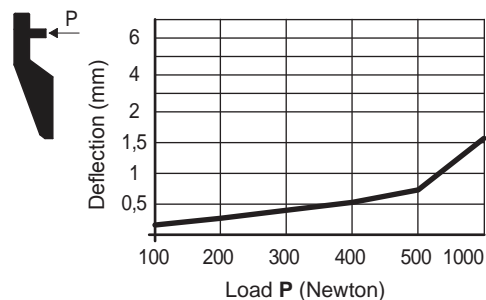
Bracket with eyebolt



| Material                           | Pin dia. d mm | Code   | Weight kg |
|------------------------------------|---------------|--------|-----------|
| Reinforced polyamide PA FV (black) | 12            | 613562 | 0,18      |
|                                    | 16            | 655602 |           |

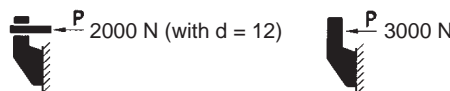
- Material: knob in reinforced polyamide (black), exagonal insert (for 19 mm wrench) in nickel plated brass, eyebolt in austenitic stainless steel.
- Max recommended tightening torque: 4 Kgm.
- Packaging: 50 pieces.

Deflection of Part. S0617



Technical data Part. S0085

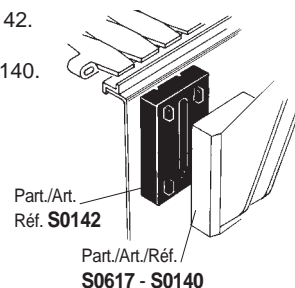
- Sliding load resistance: 2000 N (with d = 12)
- Breaking load: 3000 N



Tests performed at tightening torque: 4 Kgm

Accessories

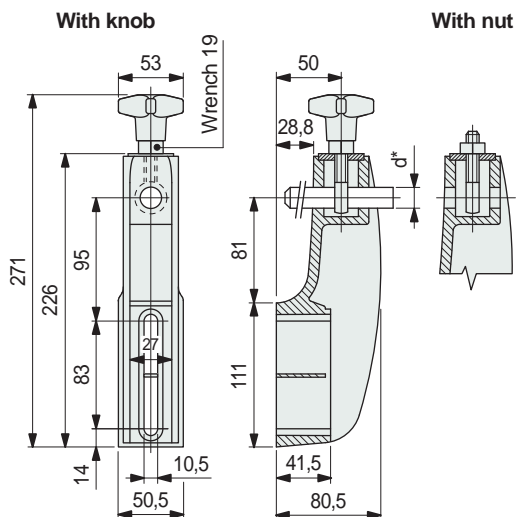
Spacer Part. S0142. Applicable to Part. S0617 - S0140.



Part. S0140



Bracket with eyebolt

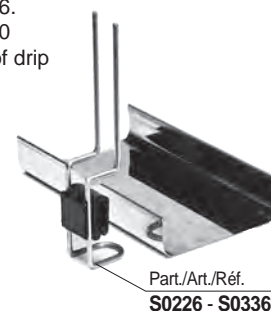


| Pin dia. d* mm | Version   | Code   | Weight kg |
|----------------|-----------|--------|-----------|
| 14÷16          | with knob | 66690N | 0,47      |
|                | with nut  | 57421N | 0,47      |

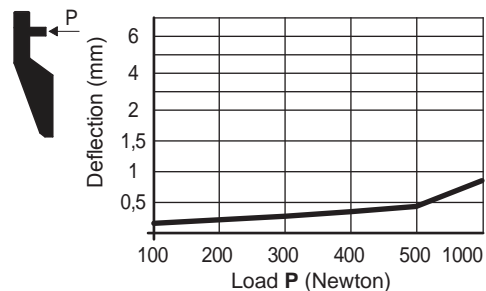
- \* = The bracket can be used with dia. 14 and dia. 16 mm pins.
- Material: bracket and knob in reinforced polyamide (black), exagonal insert (for 19 mm wrench) in nickel plated brass, tightening nut and eyebolt in austenitic stainless steel.
- Max recommended tightening torque: 4 Kgm.
- Packaging: 25 pieces.

Assembly of drip tray support

Part. S0226 - S0336. Part. S0617 - S0140 permit application of drip tray support.

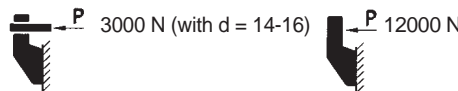


Deflection of Part. S0140



Technical data Part. S0140

- Sliding load resistance: 3000 N (with d = 14-16)
- Breaking load: 12000 N



Tests performed at tightening torque: 4 Kgm

Best Seller

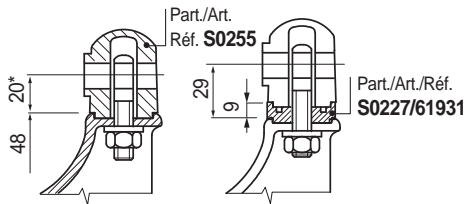
Standard

On request: minimum quantity may apply. Consult our Customer Service for availability.

Item code for order = Part. + Code

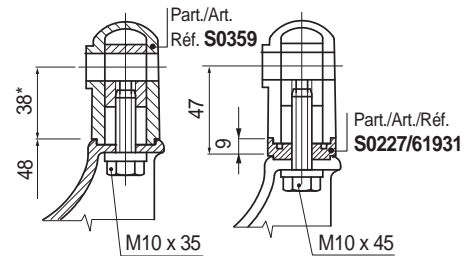
# Guide - Rail Brackets

• **Assembly with swivel head Part. S0255**



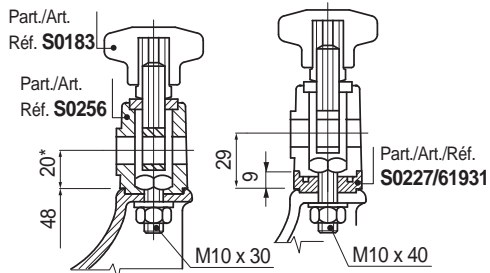
\* = To increase the height (by 9 mm) use 1 spacer Part. S0227 code 61931. The length of the thread allows for only 1 spacer.

• **Assembly with swivel head Part. S0359**



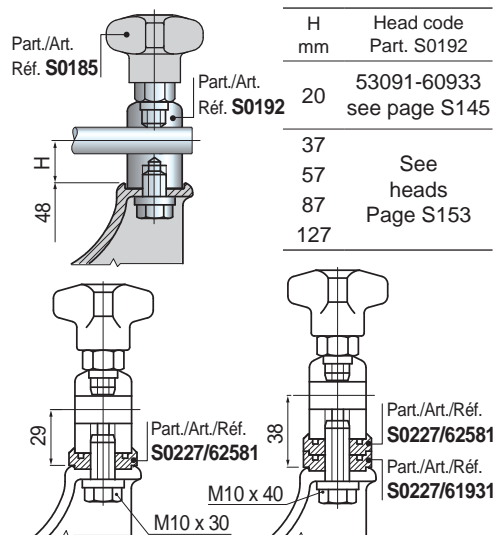
\* = To increase the height (by 9 mm) use 1 or more spacer Part. S0227 code 61931. To use the spacer it is necessary a longer screw.

• **Assembly with swivel head Part. S0256**



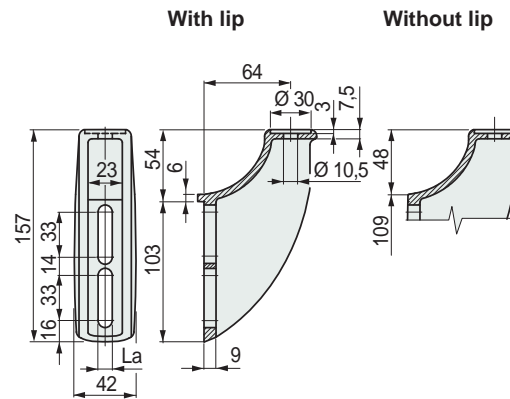
\* = To increase the height (by 9 mm) use 1 or more spacer Part. S0227 code 61931. To use the spacer it is necessary a longer screw.

• **Assembly with swivel head Part. S0192**



To use the spacer Part. S0227, it is necessary a longer screw.

■ **Adjustable bracket**



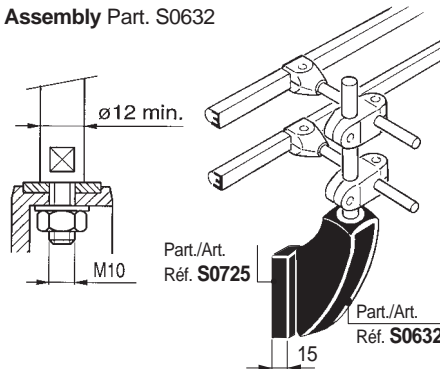
| Version     | Code   |           | Weight<br>kg |
|-------------|--------|-----------|--------------|
|             | La = 9 | La = 10,5 |              |
| With lip    | 616843 | 616853    | 0,21         |
| Without lip | 605263 | 647142    |              |

- Material: reinforced polyamide PA FV (black).
- Packaging: 50 pieces.
- Accessories: spacer Part. S0725.

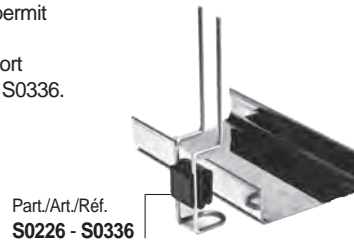
Part. S0632



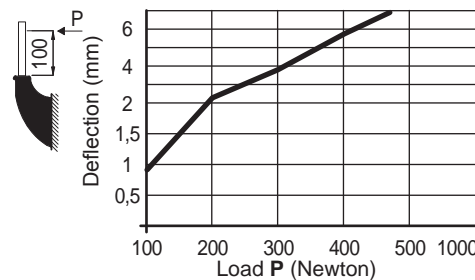
• **Assembly Part. S0632**



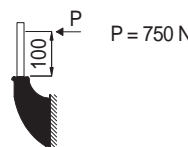
- Part. S0632 permit application of drip tray support Part. S0226 - S0336.



• **Deflection of Part. S0632**



• **Breaking load P**



- **Best Seller**
- **Standard**
- **On request:** minimum quantity may apply. Consult our Customer Service for availability.

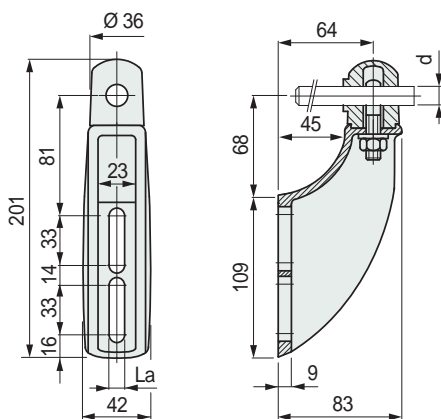
Item code for order = Part. + Code



Part. S0635



Adjustable bracket



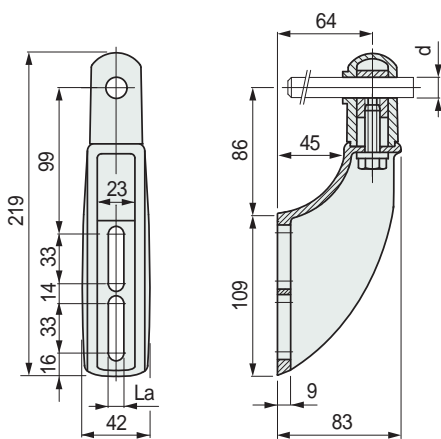
| Pin dia.<br>d<br>mm | Code      |              | Weight<br>kg |
|---------------------|-----------|--------------|--------------|
|                     | La = 9 mm | La = 10,5 mm |              |
| 12                  | 610893    | 648312       | 0,30         |
| 14                  | 610903    | 648322       |              |
| 16                  | 610913    | 648332       |              |

- Material: bracket and swivel head in reinforced Polyamide PA FV (black), eyebolt and tightening nut in austenitic stainless steel.
- Operation: by untightening the nut, the position of the top and the pin can be adjusted.
- Max recommended tightening torque: 4 Kgm.
- Packaging: 50 pieces.

Part. S0636



Adjustable bracket



| Pin dia.<br>d<br>mm | Code      |              | Weight<br>kg |
|---------------------|-----------|--------------|--------------|
|                     | La = 9 mm | La = 10,5 mm |              |
| 12                  | 610923    | 648342       | 0,30         |
| 14                  | 610933    | 648352       |              |
| 16                  | 610943    | 648362       |              |

- Material: bracket and swivel head in reinforced Polyamide PA FV (black), eyebolt in nickel plated brass, tightening screw in austenitic stainless steel.
- Operation: by untightening the screw, the position of the top and the pin can be adjusted.
- Max recommended tightening torque: 4 Kgm.
- Packaging: 50 pieces.

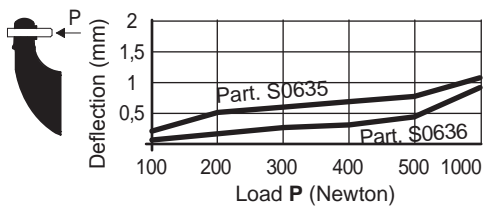
● Best Seller

● Standard

● On request: minimum quantity may apply. Consult our Customer Service for availability.

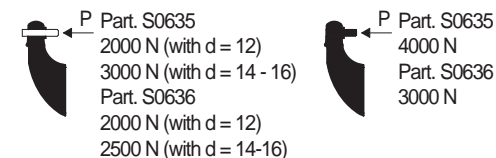
Item code for order = Part. + Code

Deflection of Part. S0635 - S0636



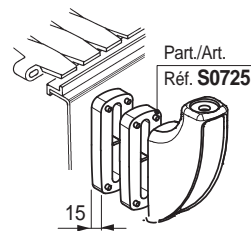
Technical data Part. S0635 - S0636

- Sliding load resistance:
- Breaking load:

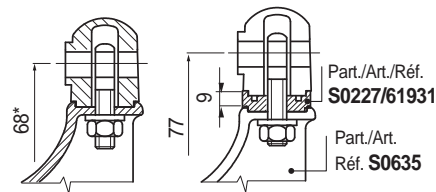


Tests performed at tightening torque: 4 Kgm

- Part. S0635 - S0636 permit application of 1 or more spacer Part. S0725.

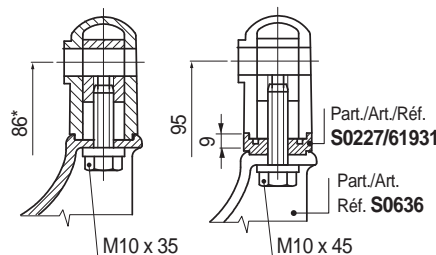


- Part. S0635 permit application of spacer Part. S0227.



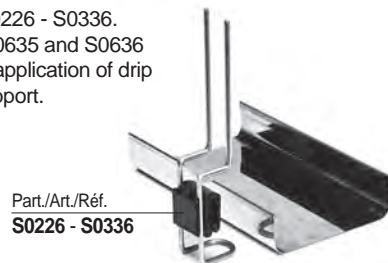
\* = To increase the height (by 9 mm) use 1 spacer Part. S0227 code 61931. The length of the thread allows for only 1 spacer.

- Part. S0636 permit application of spacer Part. S0227.



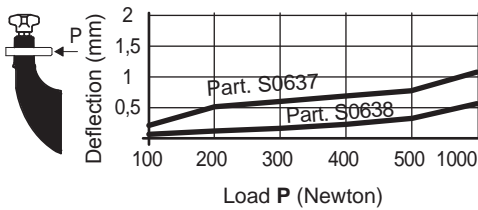
\* = To increase the height (by 9 mm) use 1 or more spacer Part. S0227 code 61931. To use the spacer it is necessary a longer screw.

- Part. S0226 - S0336. Part. S0635 and S0636 permit application of drip tray support.



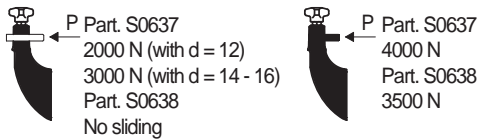
# Guide - Rail Brackets

• Deflection of Part. S0637 - S0638

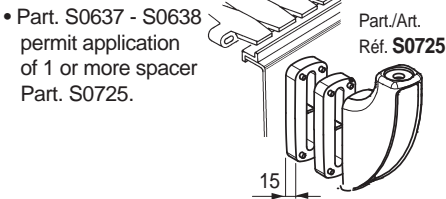


• Technical data Part. S0637 - S0638

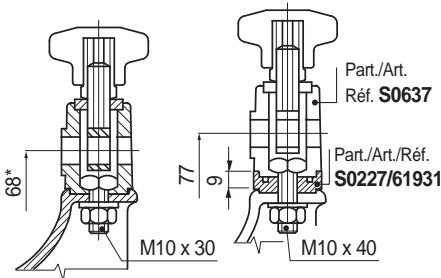
- Sliding load resistance: - Breaking load:



Tests performed at tightening torque: 4 Kgm

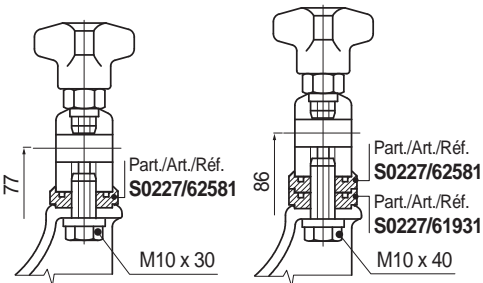


• Part. S0637 permit application of spacer Part. S0227.



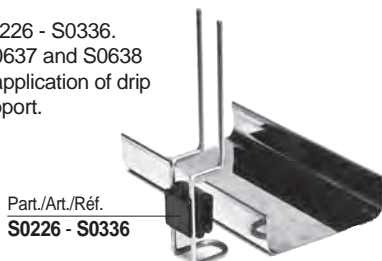
\* = To increase the height (by 9 mm) use 1 spacer Part. S0227 code 61931. To use the spacer it is necessary a longer screw.

• Part. S0638 permit application of spacer Part. S0227.

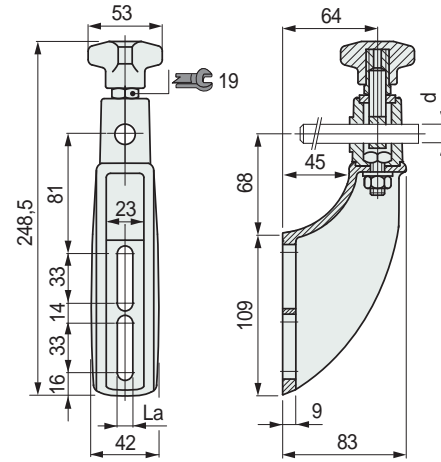


To use the spacer Part. S0227 it is necessary a longer screw.

• Part. S0226 - S0336. Part. S0637 and S0638 permit application of drip tray support.



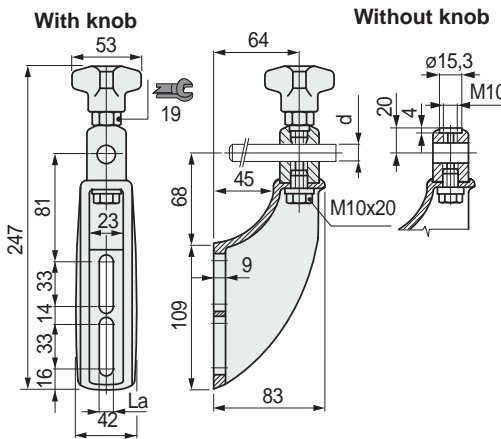
■ Adjustable bracket



| Pin dia. d mm | Code          |               | Weight kg |
|---------------|---------------|---------------|-----------|
|               | La = 9 mm     | La = 10,5 mm  |           |
| 12            | <b>605423</b> | <b>648372</b> | 0,40      |
| 14            | <b>605433</b> | <b>648382</b> |           |
| 16            | <b>605443</b> | <b>648392</b> |           |

- Material: bracket, swivel head and knob in reinforced polyamide (black), hexagonal insert (for 19 mm wrench) in nickel plated brass, eyebolt and tightening nuts/bolt in austenitic stainless steel.
- Operation: by untightening the bolt, the position of the top can be adjusted. By untightening the knob, the position of the pin can be adjusted.
- Max recommended tightening torque: 4 Kgm.
- Packaging: 50 pieces.

■ Adjustable bracket



| Pin dia. d mm       | Swivel head material       | Code          |               | Weight kg |
|---------------------|----------------------------|---------------|---------------|-----------|
|                     |                            | La = 9 mm     | La = 10,5 mm  |           |
| <b>With knob</b>    |                            |               |               |           |
| 14-16               | Austenitic stainless steel | <b>610953</b> | <b>648402</b> | 0,50      |
|                     | Nickel plated brass        | <b>610963</b> | <b>648412</b> |           |
| <b>Without knob</b> |                            |               |               |           |
| 14-16               | Austenitic stainless steel | <b>610973</b> | <b>648422</b> | 0,50      |
|                     | Nickel plated brass        | <b>610983</b> | <b>648432</b> |           |

- The bracket can be used with dia. 14 and dia. 16 mm pins.
- Material: bracket and knob in reinforced Polyamide PA.FV (black), hexagonal insert (for 19 mm wrench) in nickel plated brass, tightening nuts/bolt in austenitic stainless steel.
- Operation: by untightening the bolt, the position of the top can be adjusted. By untightening the knob, the position of the pin can be adjusted.
- Max recommended tightening torque: 4 Kgm.
- Packaging: 25 pieces.

Part. S0637



Part. S0638



Stainless steel and brass swivel head

● Best Seller

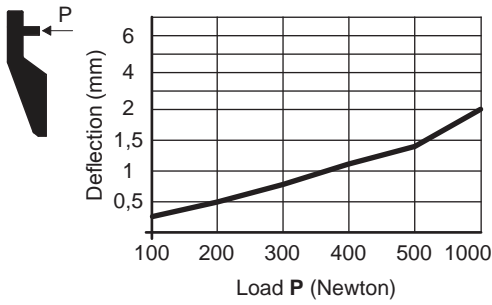
● Standard

● On request: minimum quantity may apply. Consult our Customer Service for availability.

Item code for order = Part. + Code

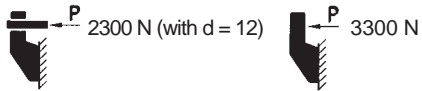


• Deflection of Part. S0107S



• Technical data of Part. S0107S

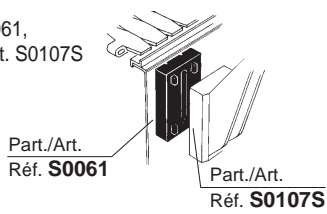
- Sliding load resistance: - Breaking load:



Tests performed at tightening torque: 2 Kgm

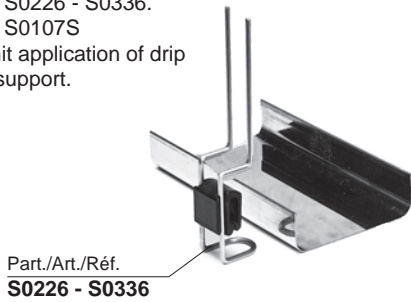
• Accessories

Spacer Part. S0061,  
Applicable to Part. S0107S



• Assembly of drip tray support

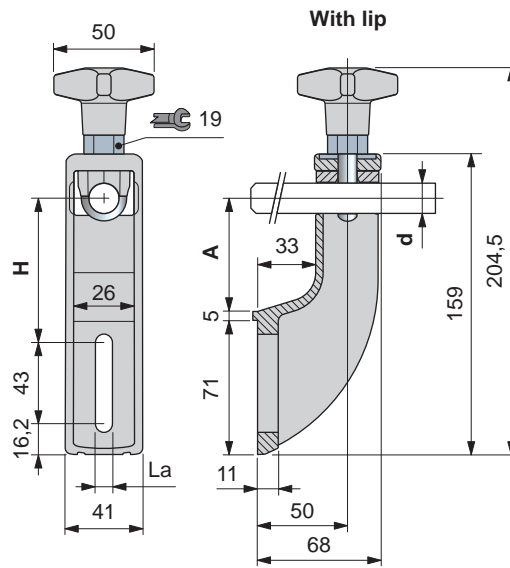
Part. S0226 - S0336.  
Part. S0107S  
permit application of drip  
tray support.



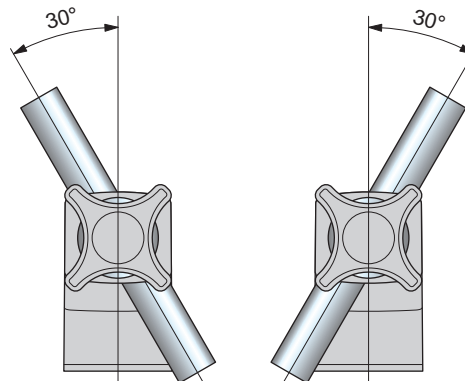
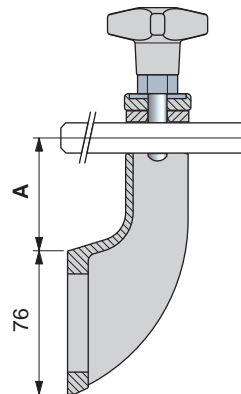
• Adjustable: ± 30°



■ Adjustable bracket



Without lip



Pin dia.

| Version     | H    | A    | Pin dia. d |      | Code          |               |
|-------------|------|------|------------|------|---------------|---------------|
|             |      |      | mm         | inch | La=9 mm       | La=10,5 mm    |
| With lip    | 78,9 | 62,4 | 12         | 1/2  | <b>643523</b> | <b>643543</b> |
|             | 77,6 | 61,1 | 14         | -    | <b>644793</b> | <b>644833</b> |
|             | 76,3 | 59,8 | 16         | 5/8  | <b>644803</b> | <b>644843</b> |
| Without lip | 78,9 | 62,4 | 12         | 1/2  | <b>643533</b> | <b>643553</b> |
|             | 77,6 | 61,1 | 14         | -    | <b>644813</b> | <b>644853</b> |
|             | 76,3 | 59,8 | 16         | 5/8  | <b>644823</b> | <b>644863</b> |

- Material: bracket and knob in reinforced polyamide PA FV (black). Hexagonal insert (for 19 mm wrench) in nickel plated brass. Eyebolt in austenitic stainless steel.
- Weight: 0,22 Kg.
- Max recommended tightening torque: 2 Kgm.
- Packaging: 50 pieces.

Part. S0107S



PATENT PENDING

● Best Seller

● Standard

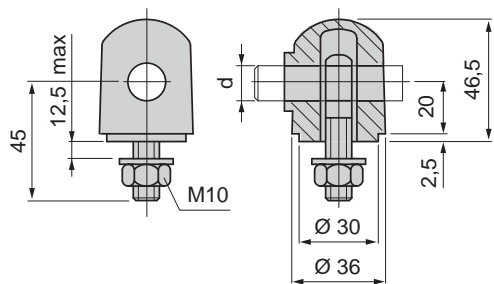
● On request: minimum quantity may apply. Consult our Customer Service for availability.

Item code for order = Part. + Code

Part. S0255



■ Swivel head



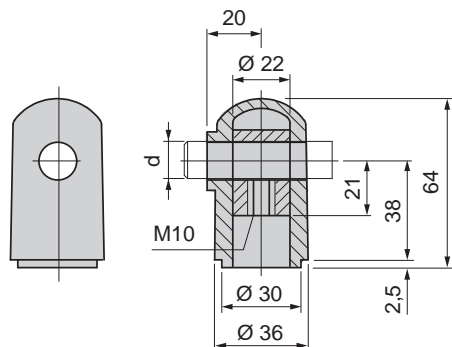
| Material                           | Pin dia.<br>d<br>mm | Code         | Weight<br>kg |
|------------------------------------|---------------------|--------------|--------------|
| Reinforced polyamide PA FV (black) | 12                  | <b>69670</b> | 0,08         |
|                                    | 14                  | <b>69680</b> |              |
|                                    | 16                  | <b>59041</b> |              |

- Material: tightening nut and eyebolt in austenitic stainless steel.
- Packaging: 50 pieces.

Part. S0359



■ Swivel head

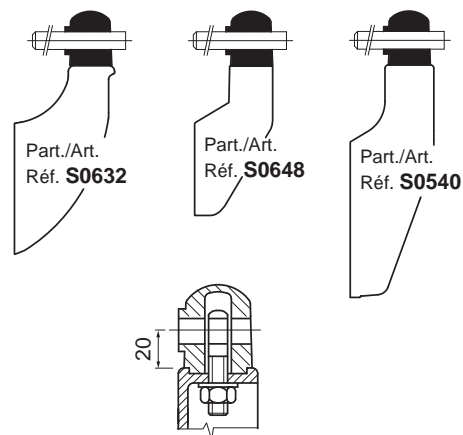


| Material                           | Pin dia.<br>d<br>mm | Code          | Weight<br>kg |
|------------------------------------|---------------------|---------------|--------------|
| Reinforced polyamide PA FV (black) | 12                  | <b>684501</b> | 0,10         |
|                                    | 14                  | <b>684511</b> |              |
|                                    | 16                  | <b>64235</b>  |              |

- Material: eyebolt in nickel plated brass.
- Packaging: 50 pieces.

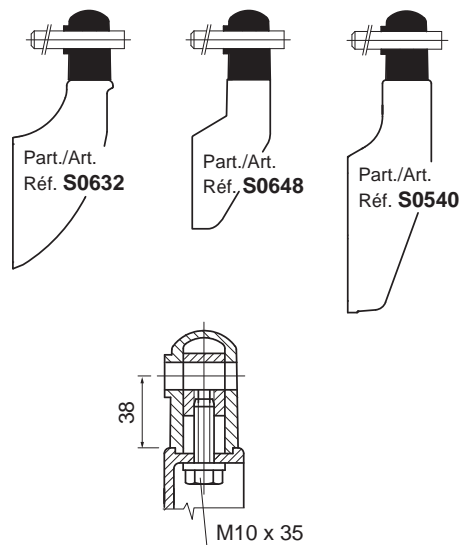
• Assembly of Part. S0255

Applicable to brackets Part. S0632 - S0648 - S0540



• Assembly of Part. S0359

Applicable to brackets Part. S0632 - S0648 - S0540



● Best Seller

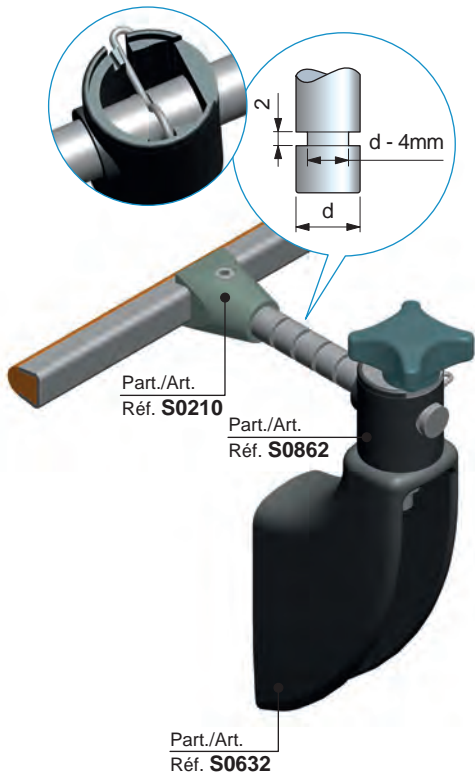
● Standard

● On request: minimum quantity may apply. Consult our Customer Service for availability.

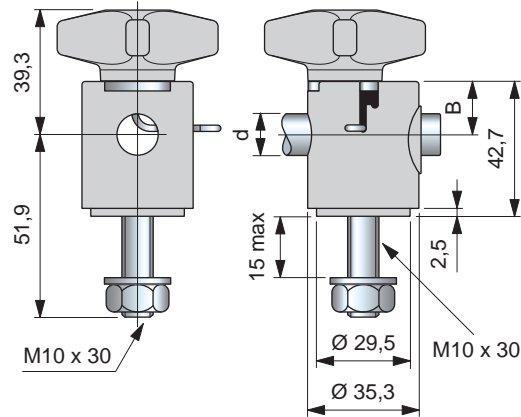
Item code for order = Part. + Code

# Guide - Rail Brackets

- **Assembly of Part. S0862**  
Applicable to brackets Part. S0632 - S0648 - S0540



## Swivel head



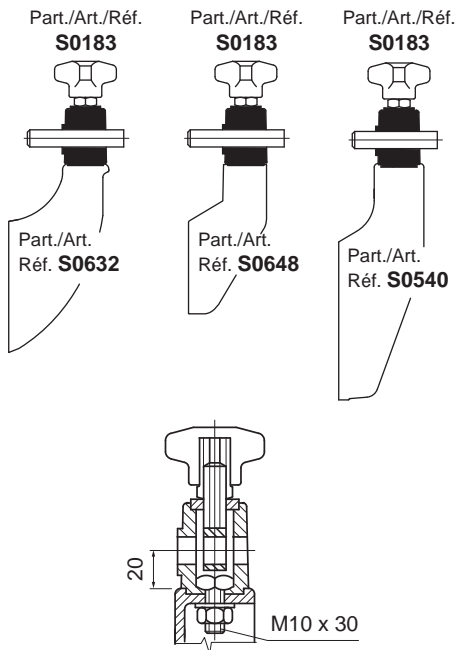
| Pin dia.<br>d<br>mm | Pin dia.<br>d<br>inch | B    | Code          | Weight<br>kg |
|---------------------|-----------------------|------|---------------|--------------|
| 12                  | 1/2"                  | 16,9 | <b>649763</b> |              |
| 14                  | -                     | 17,5 | <b>649773</b> | 0,08         |
| 16                  | 5/8"                  | 18,4 | <b>649783</b> |              |

- Material: clamp and knob in reinforced polyamide PA FV (black).  
Tightening nut and eyebolt in austenitic stainless steel.
- Packaging: 50 pieces.

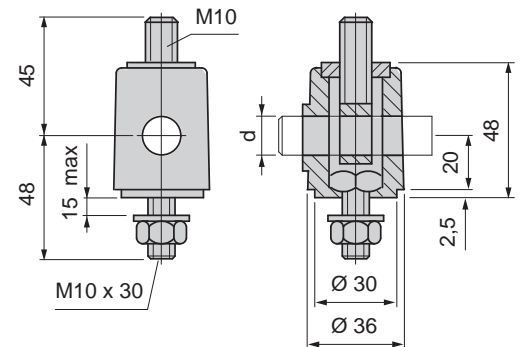
Part. S0862



- **Assembly of Part. S0256**  
Applicable to brackets Part. S0632 - S0648 - S0540  
(in combination with knob Part. S0183).



## Swivel head



| Material                           | Pin dia.<br>d<br>mm | Code         | Weight<br>kg |
|------------------------------------|---------------------|--------------|--------------|
| Reinforced polyamide PA FV (black) | 12                  | <b>64561</b> |              |
|                                    | 14                  | <b>64571</b> | 0,12         |
|                                    | 16                  | <b>64581</b> |              |

- Material: tightening nut and eyebolt in austenitic stainless steel.
- Packaging: 50 pieces.

Part. S0256



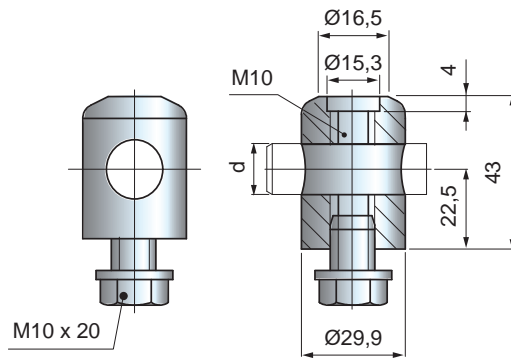
- **Best Seller**
- **Standard**
- **On request:** minimum quantity may apply. Consult our Customer Service for availability.

Item code for order = Part. + Code

Part. S0192



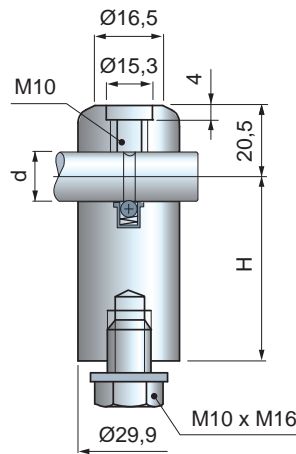
■ Swivel head



| Pin dia.<br>d<br>mm | Materiale                  | Code   | Weight<br>kg |
|---------------------|----------------------------|--------|--------------|
| 12 (1/2")           | Austenitic stainless steel | 608683 |              |
| 14÷16*              | Austenitic stainless steel | 53091  | 0,19         |
|                     | Nickel plated brass        | 60933  |              |

\* = the bearing head can be used with dia.14 and dia.16 mm pins.  
 - Material: tightening bolt in austenitic stainless steel.  
 - Packaging: 50 pieces.

■ Swivel head with positioner

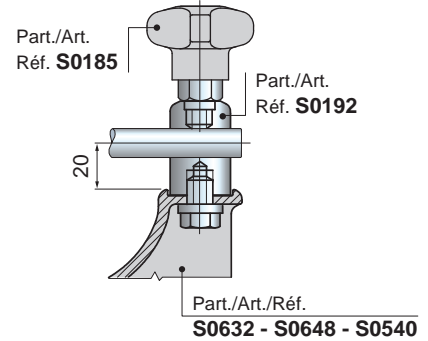


| Pin dia.<br>d<br>mm | H<br>mm | Code              |                   | Weight<br>kg |
|---------------------|---------|-------------------|-------------------|--------------|
|                     |         | Sans positionneur | Avec positionneur |              |
| 12                  | 22,5    | 685842            | -                 | 0,19         |
|                     | 40      | 674012            | 673962            | 0,29         |
| 14÷16*              | 60      | 674022            | 673972            | 0,40         |
|                     | 90      | 674032            | 673982            | 0,56         |
|                     | 130     | 674042            | 673992            | 0,79         |

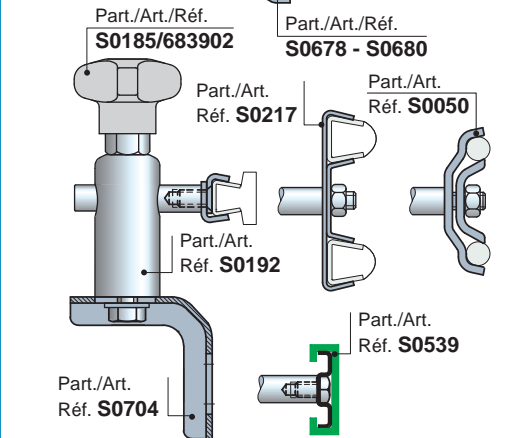
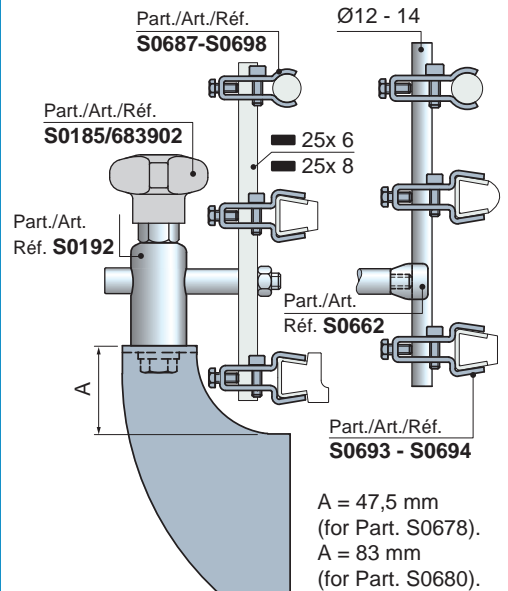
\* = Version with positioner can be used only with dia.16 mm pins.  
 - Material: swivel head in austenitic stainless steel.  
 - Tightening bolt in austenitic stainless steel.  
 - Packaging: 10 pieces.

• Assembly of Part. S0192

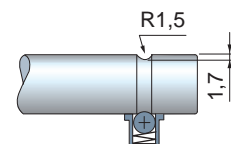
Applicable to brackets Part. S0632 - S0648 - S0540 (in combination with knob Part. S0185).



• Use of Part. S0192



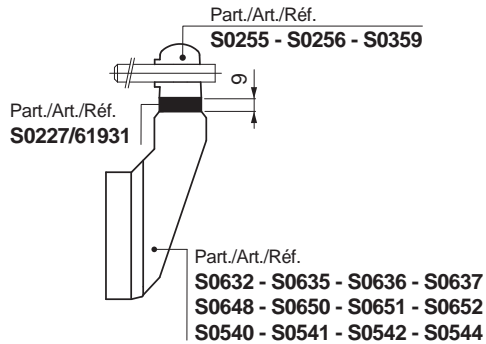
• Pin dimension for positioner



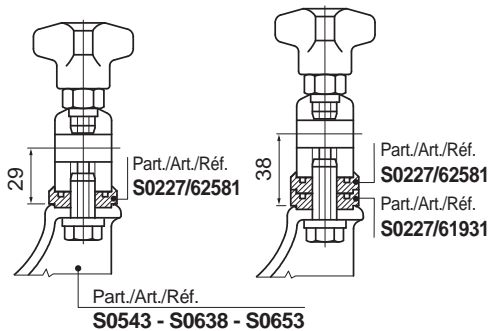
- Best Seller
- Standard
- On request: minimum quantity may apply. Consult our Customer Service for availability.

Item code for order = Part. + Code

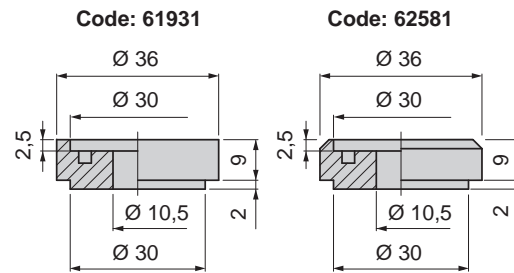
- **Assembly** of Part. S0227 code 61931  
Applicable to adjustable brackets.



- **Assembly** of Part. S0227 code 62581  
Applicable only to adjustable brackets Part. S0543 - S0638 - S0653 (version with metal head).



■ **Spacer**



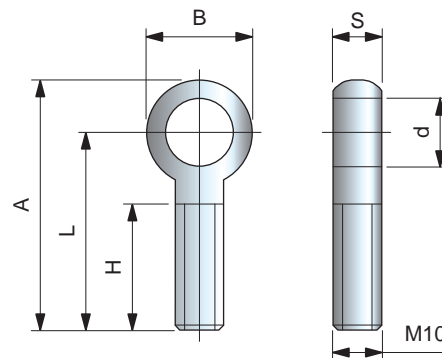
| Use  | Code  | Weight kg |
|--|-------|-----------|
| With any adjustable bracket or bearing head  | 61931 | 0,01      |
| For adjustable bracket Part. S0178 - S0543 - S0638 - S0653 or bearing head Part. S0192 | 62581 |           |

- Material: Reinforced polyamide PA FV (black).
- Packaging: 50 pieces.

Part. S0227



■ **Eyebolt**



| d mm | L mm | H mm | A mm | B mm | S mm | Code   |
|------|------|------|------|------|------|--------|
| 13   | 30   | 18   | 41   | 20   | 10   | 65624  |
|      | 40   | 30   | 51   | 21   | 10   | 69878  |
|      | 45   | 35   | 56   | 21   | 10   | 65524  |
| 14,2 | 30   | 20   | 41   | 20   | 10   | 61005  |
|      | 45   | 35   | 56   | 21   | 10   | 60995  |
| 16,2 | 44   | 32   | 56   | 24   | 10   | 65804  |
| 20,5 | 36   | 22   | 50   | 27   | 7,3  | 675902 |

- Material: austenitic stainless steel.

Part. S0000



● Best Seller

● Standard

● On request: minimum quantity may apply. Consult our Customer Service for availability.

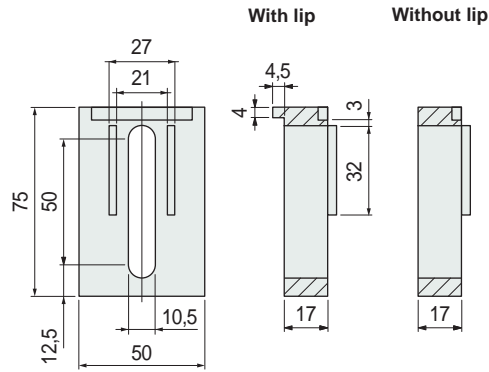
Item code for order = Part. + Code



Part. S0061



■ Spacer

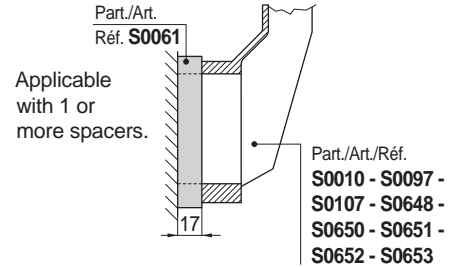


| Version     | Code          | Weight<br>kg |
|-------------|---------------|--------------|
| With lip    | <b>66194N</b> | 0,04         |
| Without lip | <b>50870N</b> |              |

- Material: reinforced polyamide PA FV (black).
- Packaging: 50 pieces.

• Assembly of Part. S0061

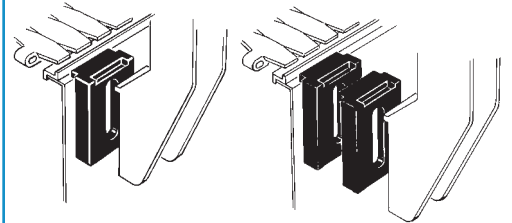
Applicable to Part. S0010 - S0097 - S0107 - S0648 - S0650 - S0651 - S0652 - S0653.



Advantages of version with lip:

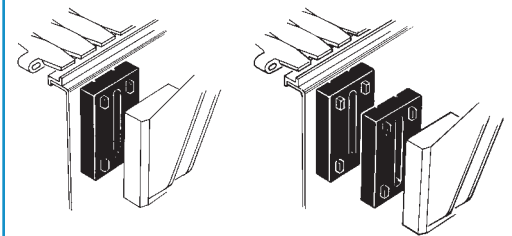
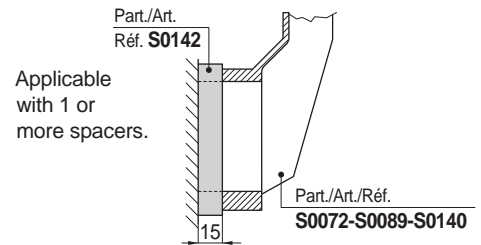
Possibility of resting on side of conveyor frame.

Possibility of assembling several spacers, all centred.



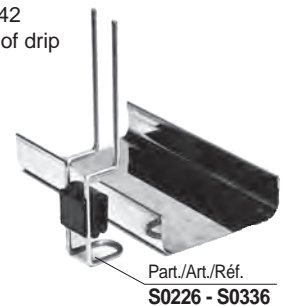
• Assembly of Part. S0142

Applicable to Part. S0072 - S0089 - S0140.



• Assembly of drip tray support

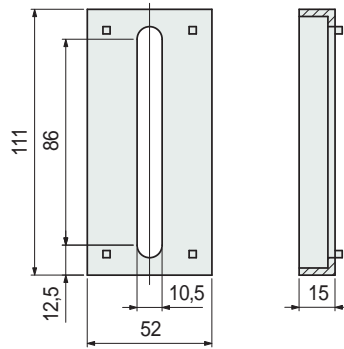
Part. S0226 - S0336.  
Part. S0061 - S0142 permit application of drip tray support.



Part. S0142



■ Spacer



| Code         | Weight<br>kg |
|--------------|--------------|
| <b>65870</b> | 0,06         |

- Material: reinforced polyamide PA FV (black).
- Packaging: 25 pieces.

● Best Seller

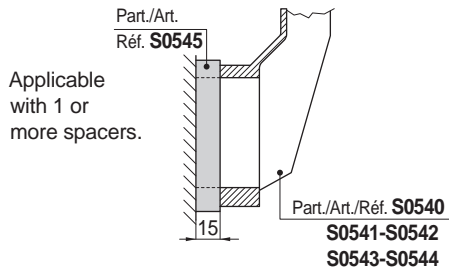
● Standard

● On request: minimum quantity may apply. Consult our Customer Service for availability.

Item code for order = Part. + Code

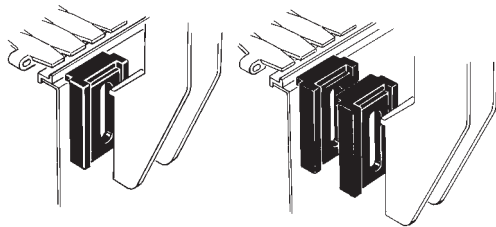
# Guide - Rail Brackets

- **Assembly** of Part. S0545  
Applicable to Part. S0540 - S0541 - S0542 - S0543 - S0544.

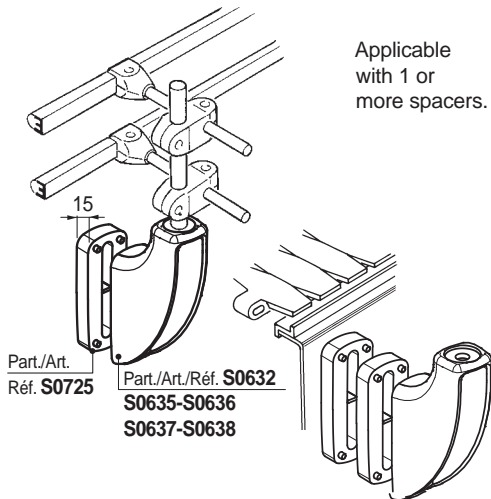


Advantages of version with lip:

- Possibility of resting on side of conveyor frame.
- Possibility of assembling several spacers, all centred.

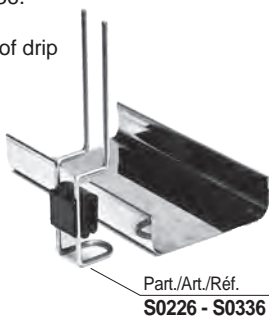


- **Assembly** of Part. S0725  
Applicable to Part. S0632 - S0635 - S0636 - S0637 - S0638.

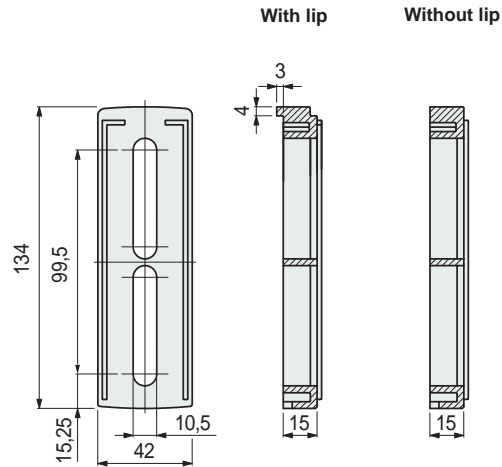


Applicable with 1 or more spacers.

- **Assembly of drip tray support**  
Part. S0226 - S0336.  
Part. S0725 permit application of drip tray support.



## ■ Spacer



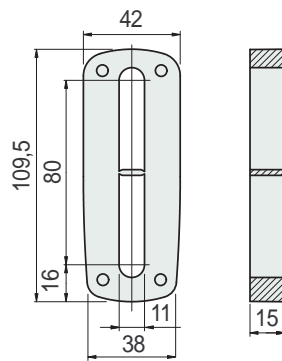
## Part. S0545



| Version     | Code   | Weight kg |
|-------------|--------|-----------|
| With lip    | 683771 | 0,04      |
| Without lip | 683761 |           |

- Material: reinforced polyamide PA FV (black).
- Packaging: 25 pieces.

## ■ Spacer



## Part. S0725



| Code   | Weight kg |
|--------|-----------|
| 688762 | 0,05      |

- Material: reinforced polyamide PA FV (black).
- Packaging: 25 pieces.

- **Best Seller**
- **Standard**
- **On request:** minimum quantity may apply. Consult our Customer Service for availability.

Item code for order = Part. + Code

Part. S0226

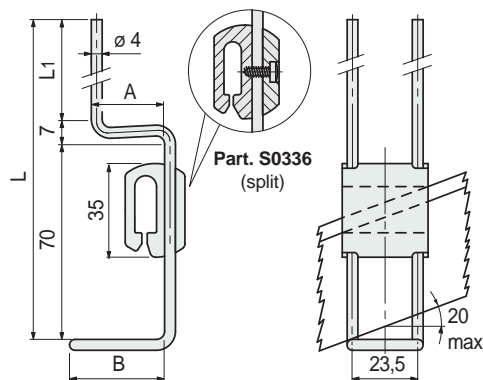
Part. S0336



Bent rod

■ Drip tray support

Part. S0226 (standard)



| Height<br>L<br>mm | L1<br>mm | A<br>mm | B<br>mm | Code                    |                      | Weight<br>kg |
|-------------------|----------|---------|---------|-------------------------|----------------------|--------------|
|                   |          |         |         | Part. S0226<br>Standard | Part. S0336<br>Split |              |
|                   |          | 14      | 35      | 67305N                  | 697761N              |              |
|                   |          | 17      | 35      | 66772N                  | 66823N               |              |
| 180               | 103      | 27      | 35      | 62071N                  | 60574N               | 0,06         |
|                   |          | 27      | 50      | 67319N                  | 697771N              |              |
|                   |          | 57      | 50      | 641461N                 | 697781N              |              |
| 200               | 123      | 38      | 35      | 64681N                  | 697791N              |              |
| 230               | 153      | 27      | 35      | 64631N                  | 697801N              |              |
| 310               | 233      | 18      | 35      | 647551N                 | 68299N               |              |

- Material: body in reinforced polypropylene PP FV (black), support element in austenitic stainless steel, self-tapping screw (only for Part. S0336) in stainless steel.
- Packaging: 100 pieces.

Part. S0226

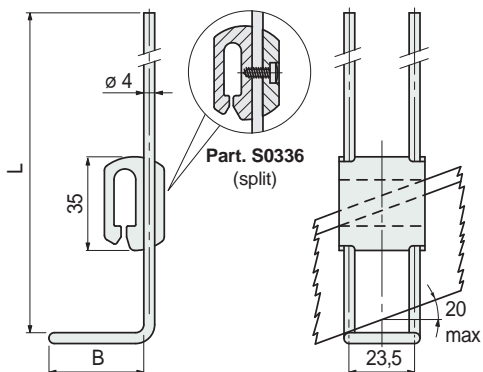
Part. S0336



Straight rod

■ Drip tray support

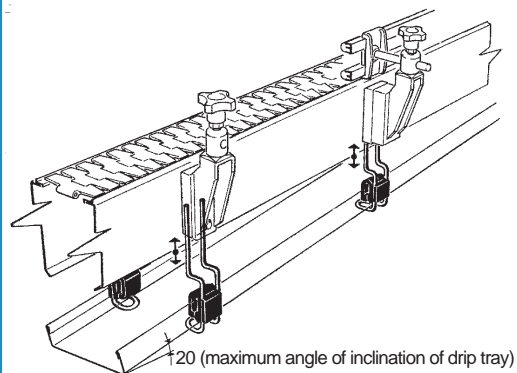
Part. S0226 (standard)



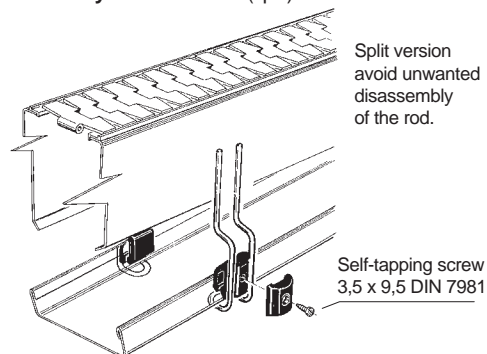
| Height<br>L<br>mm | B<br>mm | Code                    |                      | Weight<br>kg |
|-------------------|---------|-------------------------|----------------------|--------------|
|                   |         | Part. S0226<br>Standard | Part. S0336<br>Split |              |
| 200               | 35      | 61767                   | 697811               | 0,06         |

- Material: body in reinforced polypropylene PP FV (black), support element in austenitic stainless steel, self-tapping screw (only for Part. S0336) in stainless steel.
- Packaging: 100 pieces.

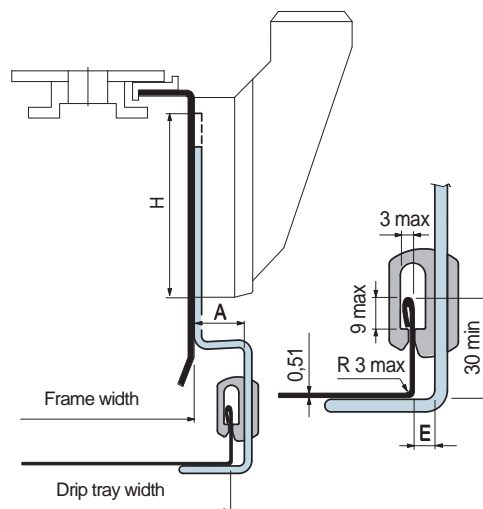
• Assembly of Part. S0336 (standard)



• Assembly of Part. S0336 (split)



• Drip tray design



Drip tray width = Frame width + 2 • (A - E)

A = see table with codes

E = 10 mm for Part. S0226 (standard)  
9,2 mm for Part. S0336 (split)

| Bracket Part.                         | Rod slot length<br>H<br>mm |
|---------------------------------------|----------------------------|
| S0081 - S0088                         | 70                         |
| S0072 - S0089                         | 102,5                      |
| S0085                                 | 53                         |
| S0010 - S0097                         | 71                         |
| S0107                                 | 72                         |
| S0599                                 | 104                        |
| S0140                                 | 106                        |
| S0617                                 | 95                         |
| S0632 - S0635 - S0636 - S0637 - S0638 | 103,5                      |
| S0540 - S0541 - S0542 - S0543 - S0544 | 123                        |

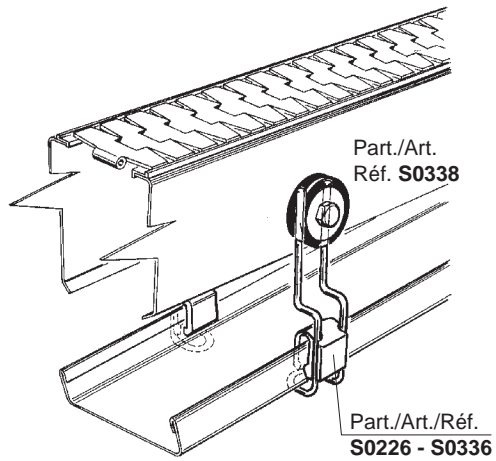
● Best Seller

● Standard

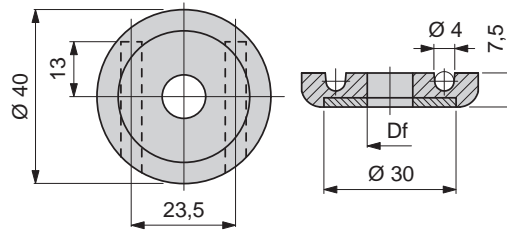
● On request: minimum quantity may apply. Consult our Customer Service for availability.

Item code for order = Part. + Code

• Assembly of Part. S0336



■ Mounting plate



| Bore dia.<br>Df<br>mm | Code         | Weight<br>kg |
|-----------------------|--------------|--------------|
| 9                     | <b>67563</b> | 0,20         |
| 10,5                  | <b>67325</b> |              |

- Material: plate in reinforced polyamide (black), washer in austenitic stainless steel.
- Packaging: 100 pieces.

Part. S0338



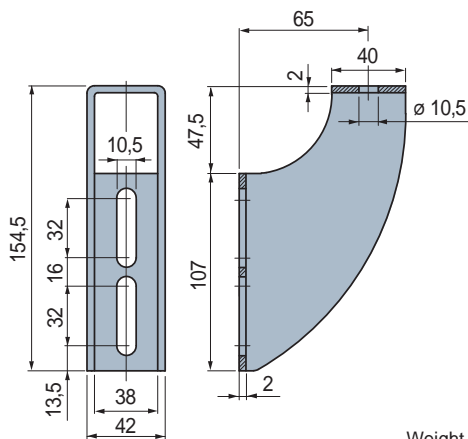
- Best Seller
- Standard
- On request: minimum quantity may apply. Consult our Customer Service for availability.

Item code for order = Part. + Code

Part. S0678



Adjustable bracket



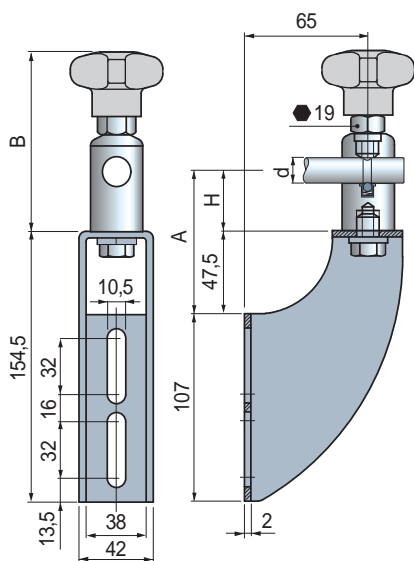
| Code   | Weight kg |
|--------|-----------|
| 684292 | 0,32      |

- Material: austenitic stainless steel.
- Packaging: 6 pieces.

Part. S0679



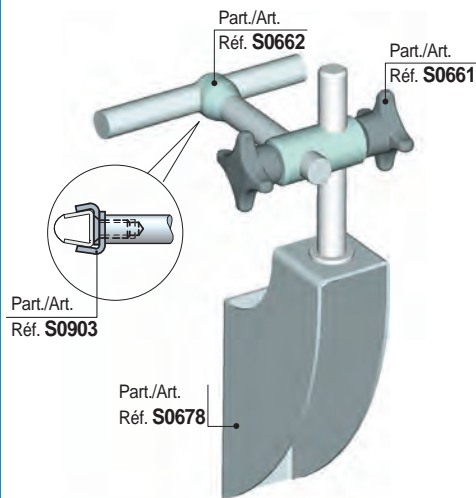
Adjustable bracket



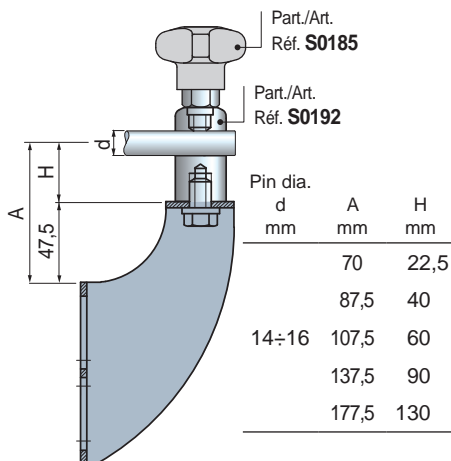
| Pin dia. d mm             | A mm  | H mm | Code   | B mm  | Weight kg |
|---------------------------|-------|------|--------|-------|-----------|
| <b>Without positioner</b> |       |      |        |       |           |
| 70                        | 22,5  |      | 684302 | 89    | 0,60      |
| 87,5                      | 40    |      | 684312 | 106,5 | 0,70      |
| 14÷16                     | 107,5 | 60   | 684322 | 126,5 | 0,81      |
|                           | 137,5 | 90   | 684332 | 156,5 | 0,97      |
|                           | 177,5 | 130  | 684342 | 196,5 | 1,20      |
| <b>With positioner</b>    |       |      |        |       |           |
|                           | 87,5  | 40   | 685072 | 106,5 | 0,70      |
| 16*                       | 107,5 | 60   | 685082 | 126,5 | 0,81      |
|                           | 137,5 | 90   | 685092 | 156,5 | 0,97      |
|                           | 177,5 | 130  | 685102 | 196,5 | 1,20      |

- \* = Version with positioner can be used only with dia. 16 mm pins.
- Material: bracket in austenitic stainless steel.
- Swivel head in austenitic stainless steel.
- Knob in reinforced polypropylene PP FV (grey).
- Hexagonal insert (for 19 mm wrench) and bolts in austenitic stainless steel.
- Max recommended tightening torque: 4 Kgm.
- Packaging: 6 pieces.

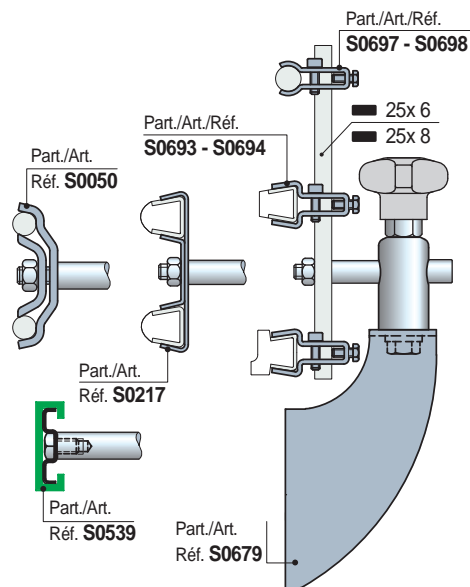
Assembly of Part. S0678



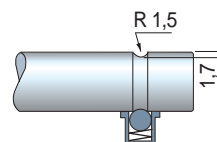
Accessories for Part. S0678



Assembly of Part. S0679



Pin dimension for positioner

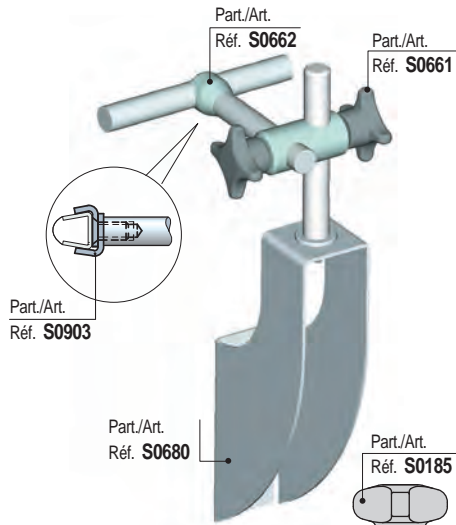


- Best Seller
- Standard
- On request: minimum quantity may apply. Consult our Customer Service for availability.

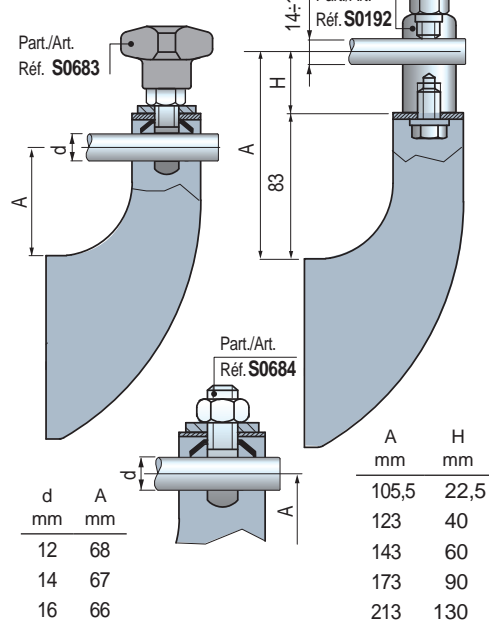
Item code for order = Part. + Code

# Guide - Rail Brackets

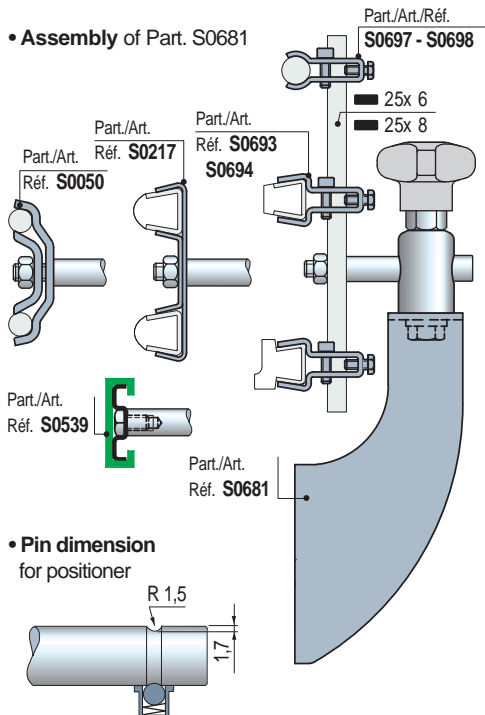
## • Assembly of Part. S0680



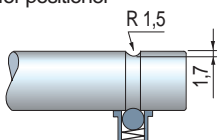
## • Accessories for Part. S0680



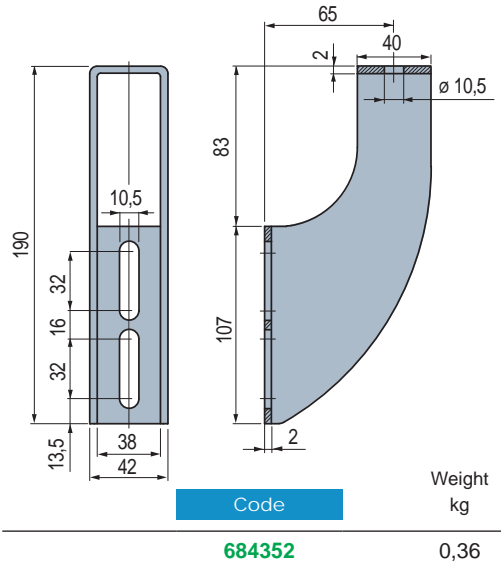
## • Assembly of Part. S0681



## • Pin dimension for positioner

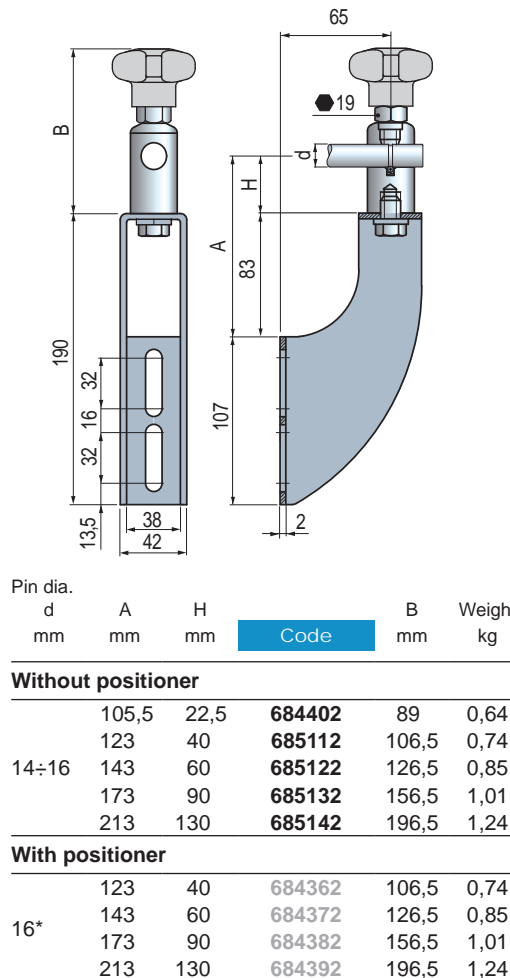


## ■ Adjustable bracket



- Material: austenitic stainless steel.
- Packaging: 6 pieces.

## ■ Adjustable bracket



- \* = Version with positioner can be used only with dia. 16 mm pins.
- Material: bracket in austenitic stainless steel.
- Swivel head in austenitic stainless steel.
- Knob in reinforced polypropylene PP FV (grey).
- Hexagonal insert (for 19 mm wrench) and bolts in austenitic stainless steel.
- Max recommended tightening torque: 4 Kgm.
- Packaging: 6 pieces.

## Part. S0680



## Part. S0681



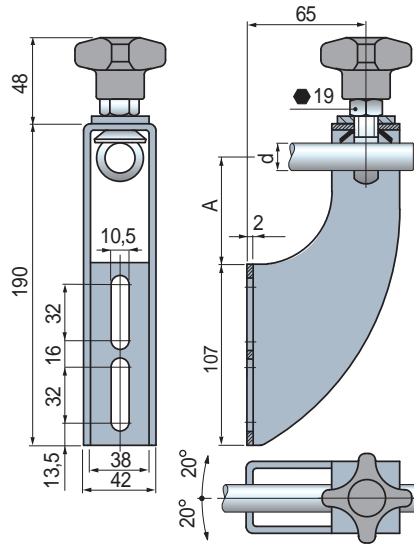
- Best Seller
- Standard
- On request: minimum quantity may apply. Consult our Customer Service for availability.

Item code for order = Part. + Code

Part. S0682



Adjustable bracket



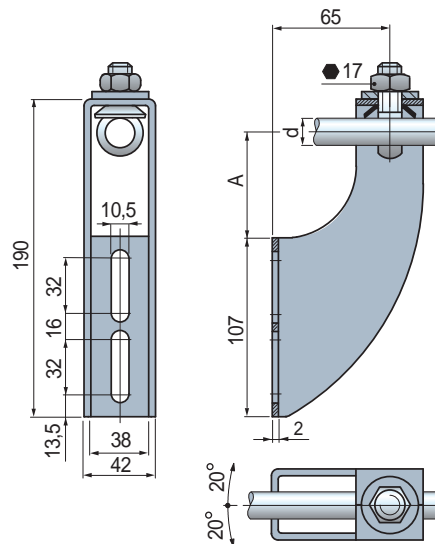
| Pin dia.<br>d<br>mm | A<br>mm | Code   | Weight<br>kg |
|---------------------|---------|--------|--------------|
| 12                  | 68      | 684412 |              |
| 14                  | 67      | 684422 | 0,46         |
| 16                  | 66      | 684432 |              |

- Material: bracket, tightening nut, washer and eyebolt in austenitic stainless steel. Knob in reinforced polypropylene PP FV (grey). Hexagonal insert (for 19 mm wrench) in austenitic stainless steel.  
- Packaging: 6 pieces.

Part. S0677



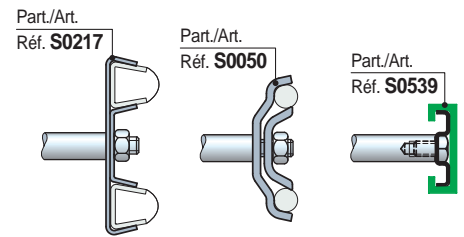
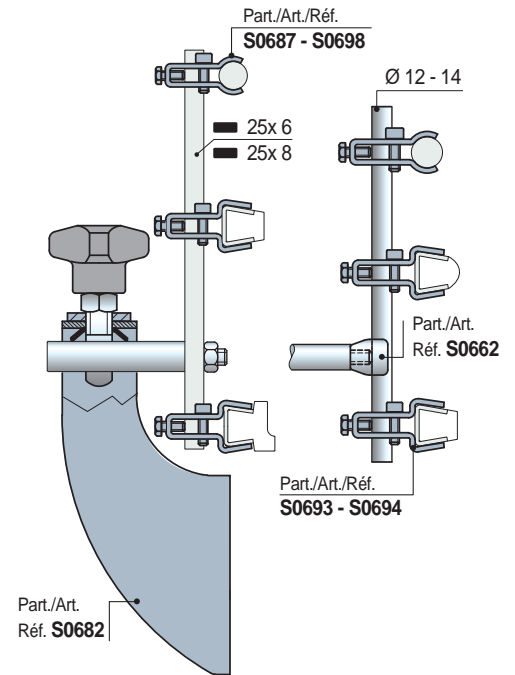
Adjustable bracket



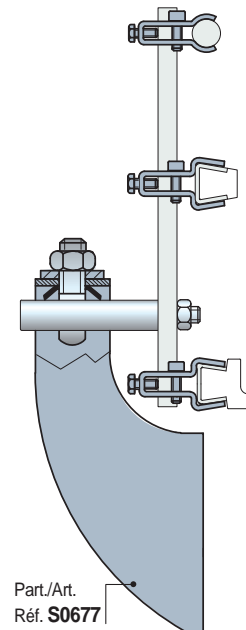
| Pin dia.<br>d<br>mm | A<br>mm | Code   | Weight<br>kg |
|---------------------|---------|--------|--------------|
| 12                  | 68      | 684262 |              |
| 14                  | 67      | 684272 | 0,42         |
| 16                  | 66      | 684282 |              |

- Material: bracket, tightening nut, washer and eyebolt in austenitic stainless steel.  
- Packaging: 6 pieces.

Use of Part. S0682



Use of Part. S0677



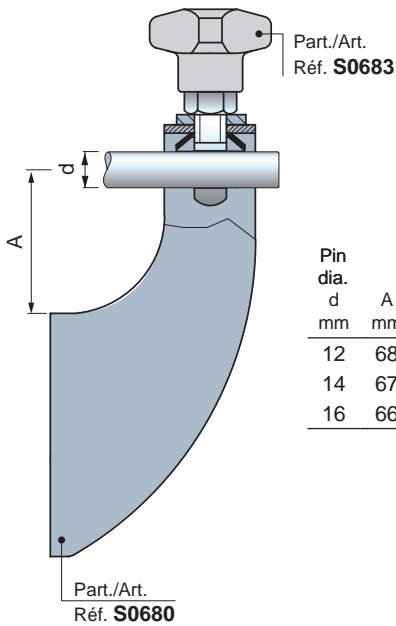
Best Seller

Standard

On request: minimum quantity may apply. Consult our Customer Service for availability.

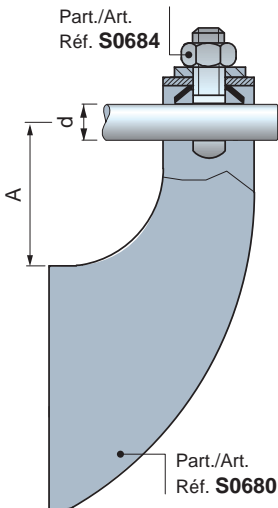
Item code for order = Part. + Code

- Use of Part. S0683  
In combination with brackets Part. S0680.



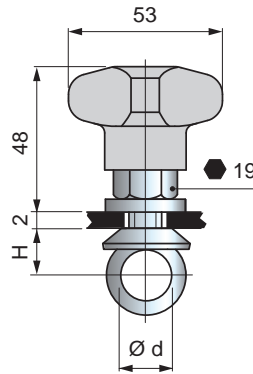
| Pin dia.<br>d<br>mm | A<br>mm |
|---------------------|---------|
| 12                  | 68      |
| 14                  | 67      |
| 16                  | 66      |

- Use of Part. S0684  
In combination with brackets Part. S0680.



| Pin dia.<br>d<br>mm | A<br>mm |
|---------------------|---------|
| 12                  | 68      |
| 14                  | 67      |
| 16                  | 66      |

■ Eyebolt (with knob)



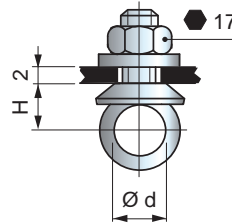
| Pin dia.<br>d<br>mm | H<br>mm | Code   | Weight<br>kg |
|---------------------|---------|--------|--------------|
| 12                  | 13      | 684442 |              |
| 14                  | 14      | 684452 | 0,10         |
| 16                  | 15      | 684462 |              |

- Material: eyebolt and washer in austenitic stainless steel. Knob in reinforced polypropylene PP FV (grey). Hexagonal insert (for 19 mm wrench) in austenitic stainless steel.
- Packaging: 6 pieces.

Part. S0683



■ Eyebolt (with nut)



| Pin dia.<br>d<br>mm | H<br>mm | Code   | Weight<br>kg |
|---------------------|---------|--------|--------------|
| 12                  | 13      | 684472 |              |
| 14                  | 14      | 684482 | 0,06         |
| 16                  | 15      | 684492 |              |

- Material: eyebolt, tightening nut and washer in austenitic stainless steel.
- Packaging: 6 pieces.

Part. S0684



- Best Seller
- Standard
- On request: minimum quantity may apply. Consult our Customer Service for availability.

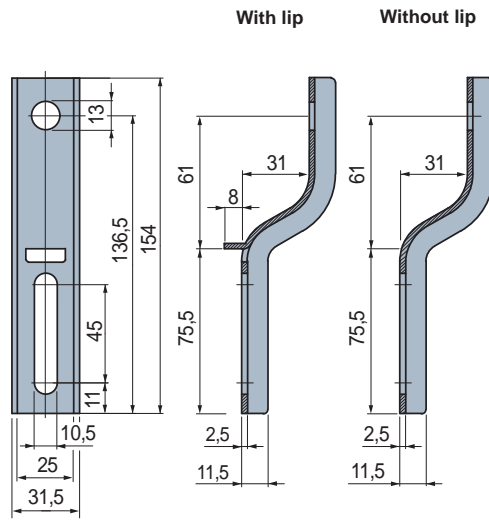
Item code for order = Part. + Code



Part. S0705



■ Bracket



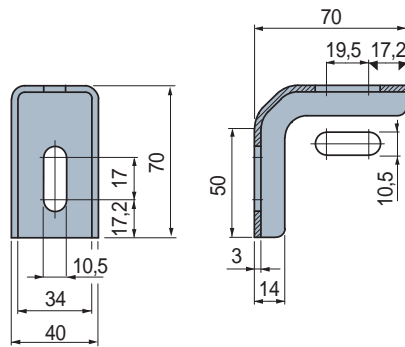
| Version     | Code   | Weight kg |
|-------------|--------|-----------|
| With lip    | 684902 | 0,17      |
| Without lip | 684912 |           |

- Material: austenitic stainless steel.
- Packaging: 16 pieces.

Part. S0704



■ Bracket



| Code   | Weight kg |
|--------|-----------|
| 684892 | 0,15      |

- Material: austenitic stainless steel.
- Packaging: 16 pieces.

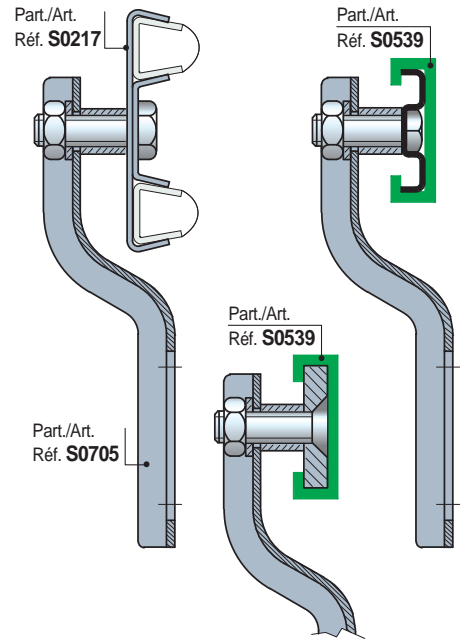
● Best Seller

● Standard

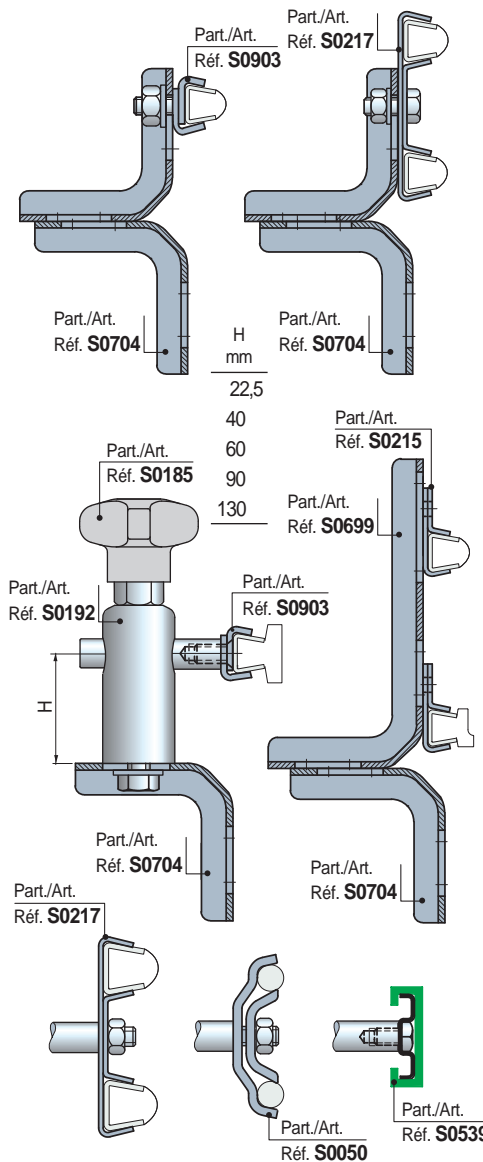
● On request: minimum quantity may apply. Consult our Customer Service for availability.

Item code for order = Part. + Code

• Use of Part. S0705

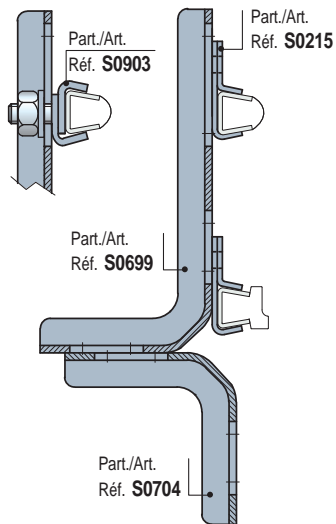
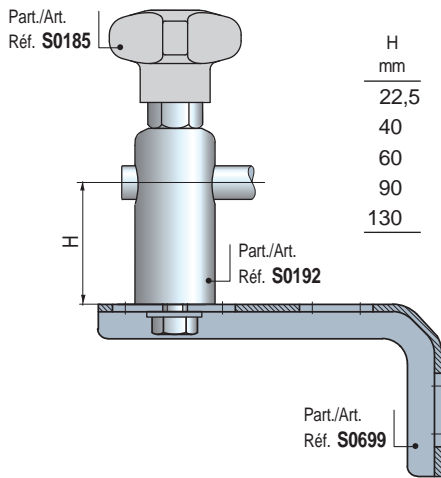


• Use of Part. S0704

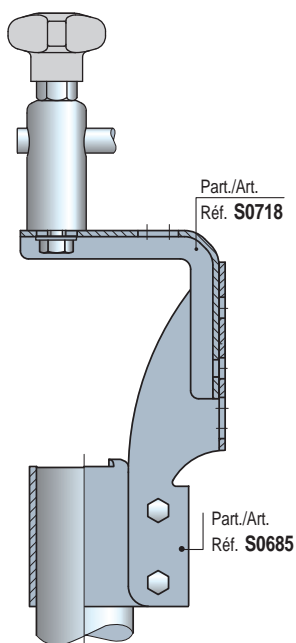


# Guide - Rail Brackets

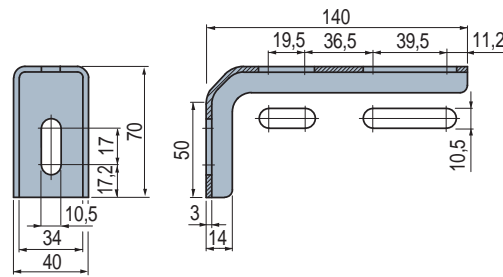
• Use of Part. S0699



• Use of Part. S0718



■ Bracket



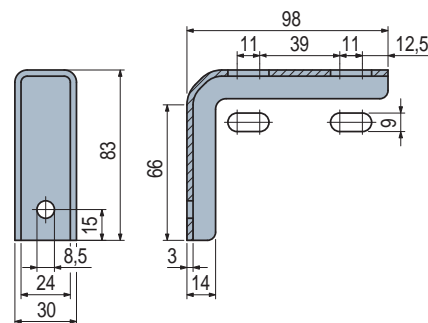
| Code   | Weight kg |
|--------|-----------|
| 684872 | 0,23      |

- Material: austenitic stainless steel.
- Packaging: 16 pieces.

Part. S0699



■ Bracket



| Code   | Weight kg |
|--------|-----------|
| 687252 | 0,17      |

- Material: austenitic stainless steel.
- Packaging: 16 pieces.

Part. S0718



- Best Seller
- Standard
- On request: minimum quantity may apply. Consult our Customer Service for availability.

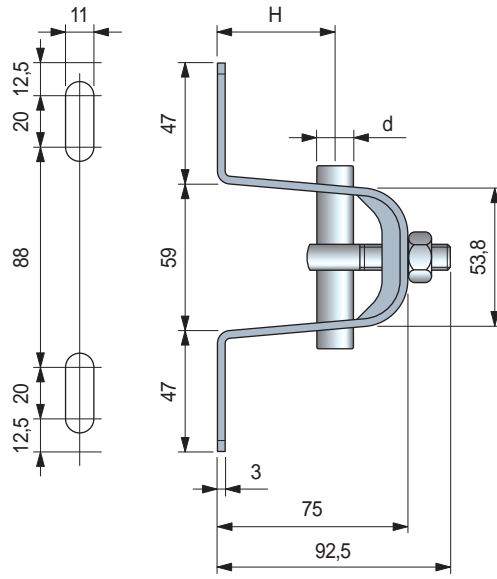
Item code for order = Part. + Code

Part. S0692

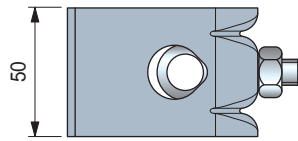
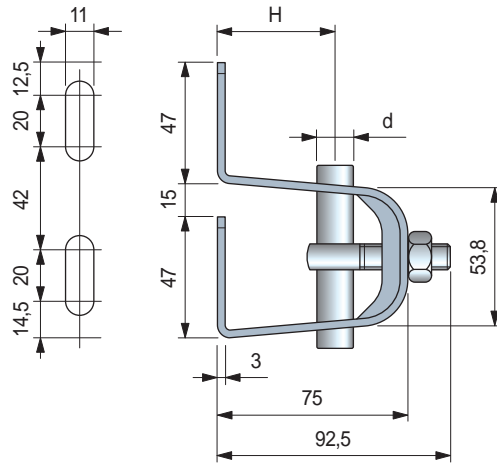


Bracket

Standard version



Compact version



| Pin dia.<br>d<br>mm | H<br>mm | Code                |                    | Weight<br>kg |
|---------------------|---------|---------------------|--------------------|--------------|
|                     |         | Standard<br>version | Compact<br>version |              |
| 14                  | 47      | <b>642713N</b>      | <b>643263N</b>     | 0,33         |
| 15                  | 46      | <b>686272N</b>      | <b>684622N</b>     |              |
| 16                  | 46      | <b>686282N</b>      | <b>684632N</b>     |              |
| 18                  | 44      | <b>686292N</b>      | <b>684642N</b>     |              |
| 20                  | 42      | <b>686302N</b>      | <b>684652N</b>     |              |

- Material: bracket and bolt in austenitic stainless steel.
- Max recommended tightening torque: 2 Kgm.
- Packaging: 8 pieces.

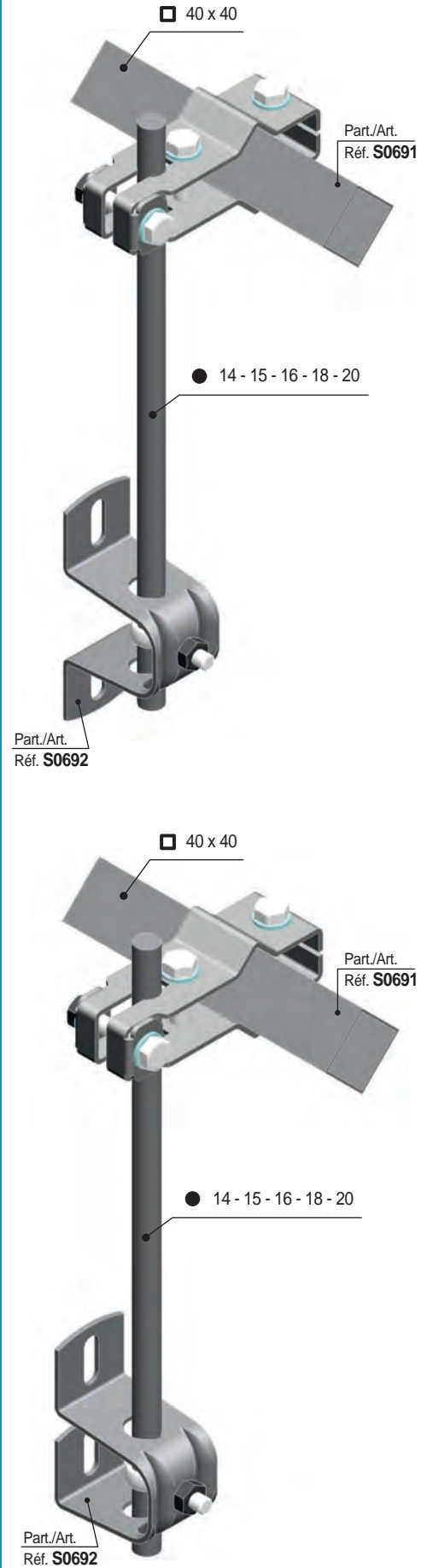
● Best Seller

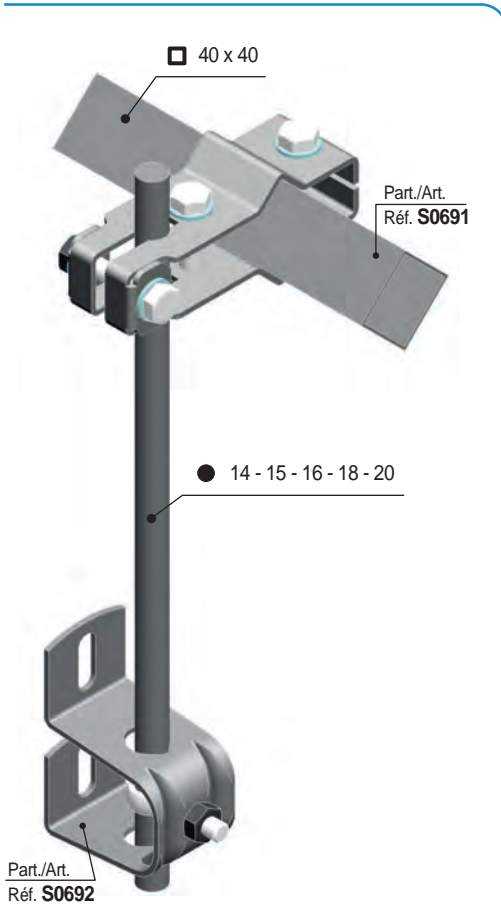
● Standard

● On request: minimum quantity may apply. Consult our Customer Service for availability.

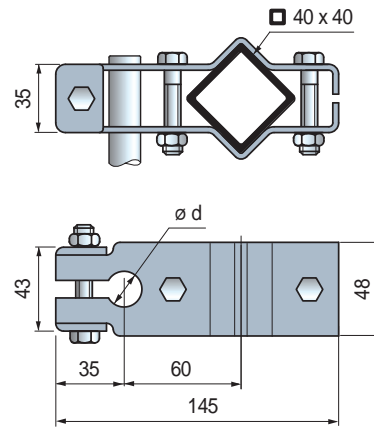
Item code for order = Part. + Code

Use of Part. S0692

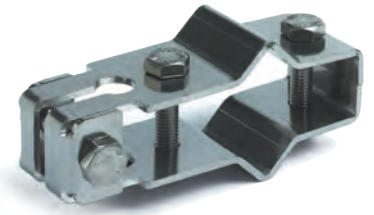




**Cross clamp**



Part. S0691

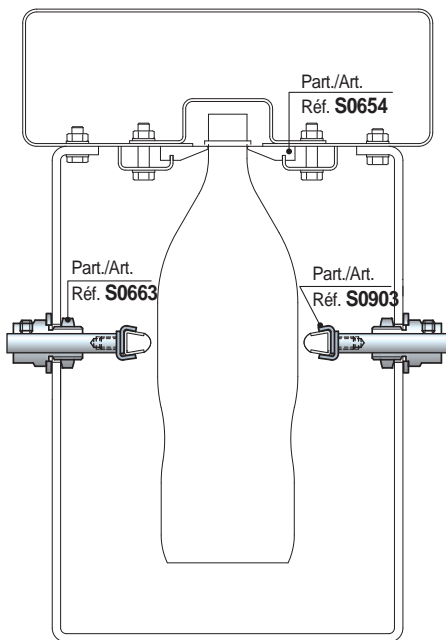


| Square tube mm | Pin dia. d mm | Code   | Weight kg |
|----------------|---------------|--------|-----------|
| 40 x 40        | 20            | 684612 | 0,52      |

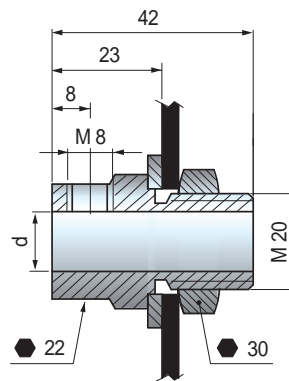
- Material: clamp and bolt in austenitic stainless steel.
- Packaging: 8 pieces.

Part./Art. Réf. S0692

• Use of Part. S0663



**Locking clamp for round steel rod**



Part. S0663



| Pin dia. d mm | Code   | Weight kg |
|---------------|--------|-----------|
| 12            | 669572 | 0,13      |

- Material: clamp in austenitic stainless steel. Nut and washer in austenitic stainless steel.
- Packaging: 50 pieces.

- Best Seller
- Standard
- On request: minimum quantity may apply. Consult our Customer Service for availability.

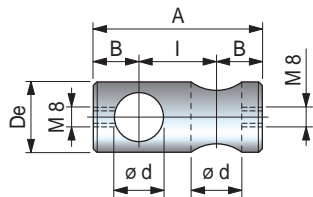
Item code for order = Part. + Code

Part. S0661

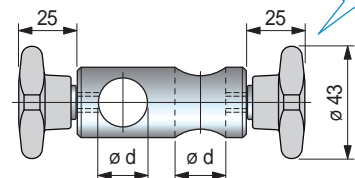


■ Cross clamp

Version without knobs



Version with knobs

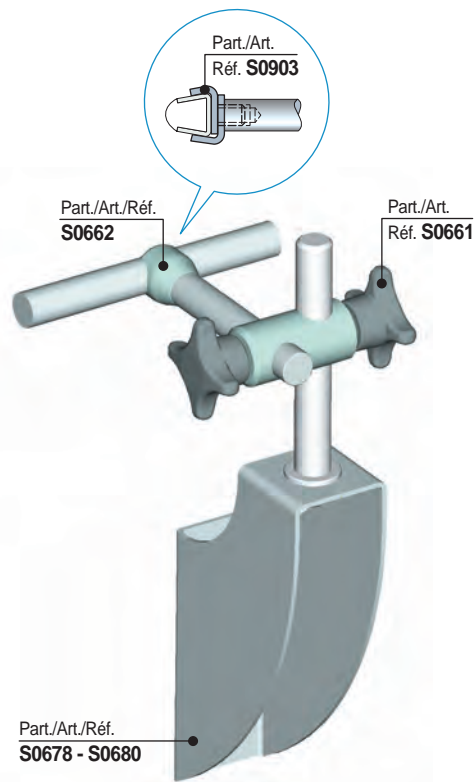


Part./Art. Réf. S0671

| Pin dia.<br>d<br>mm | Code             |               | I<br>mm | A<br>mm | B<br>mm | ø De<br>mm |
|---------------------|------------------|---------------|---------|---------|---------|------------|
|                     | Without<br>knobs | With<br>knobs |         |         |         |            |
| 10                  | 669112           | 675712        | 14      | 36      | 11      | 18         |
| 12                  | 669122           | 675722        | 16      | 40      | 12      | 20         |
| (1/2")              | 686022           | 683802        | 16      | 40      | 12      | 20         |
| 14                  | 669132           | 675732        | 18      | 44      | 13      | 20         |
| 16                  | 669142           | 675742        | 20      | 48      | 14      | 24         |
| 18                  | 669152           | 675752        | 22      | 52      | 15      | 26         |
| 20                  | 669162           | 675762        | 24      | 56      | 16      | 28         |

- Material: clamp in austenitic stainless steel. Knob in reinforced polypropylene PP FV (grey). Threaded insert in austenitic stainless steel.
- Max recommended tightening torque: 1 Kgm (with knob) 2 Kgm (with screw).
- Packaging: 24 pieces.

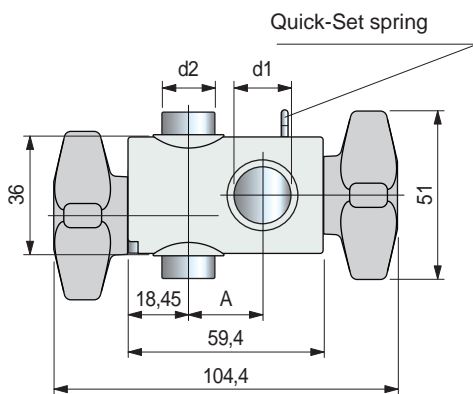
• Use of Part. S0661



Part. S0732



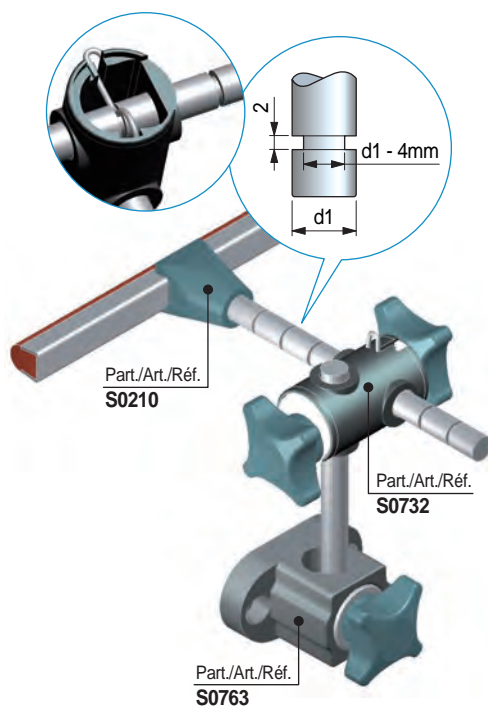
■ Cross clamp with Quick-Set



| Pin dia. d1<br>with spring<br>mm | Pin dia. d2<br>mm | Pin dia. d1<br>inch | Pin dia. d2<br>inch | A    | Code    | Weight<br>kg |    |
|----------------------------------|-------------------|---------------------|---------------------|------|---------|--------------|----|
|                                  |                   |                     |                     |      |         |              | 12 |
| 12                               | 16                | 1/2"                | 5/8"                | 24,1 | 692362N |              |    |
| 16                               | 12                | 5/8"                | 1/2"                | 22   | 638703N |              |    |
| 16                               | 16                | 5/8"                | 5/8"                | 22   | 692372N |              |    |

- Quick-Set spring on one of the two rods.
- Material: clamp and knobs in reinforced polyamide PA FV (black). Eyebolts in austenitic stainless steel.
- Max recommended tightening torque: 2 Kgm.
- Packaging: 50 pieces.

• Use of Part. S0732



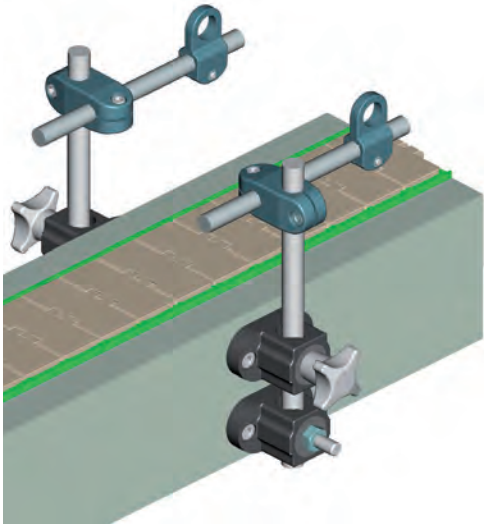
● Best Seller

● Standard

● On request: minimum quantity may apply. Consult our Customer Service for availability.

Item code for order = Part. + Code

- **T - clamp** Part. S0763  
Available with nut or tightening knob.



- Can be used in combination with cross clamps Part. S0661 and S0732

Part./Art./Réf. **S0661**

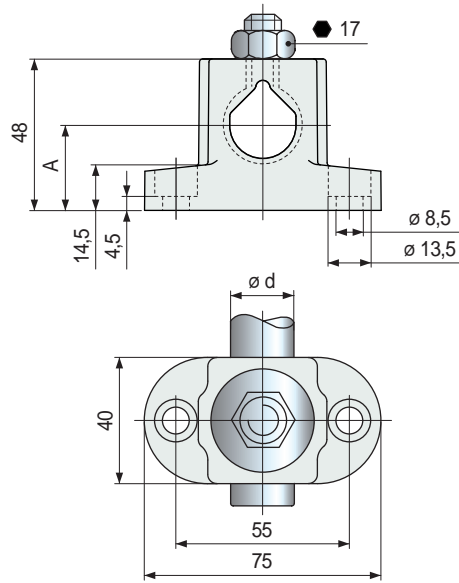


Part./Art./Réf. **S0732**

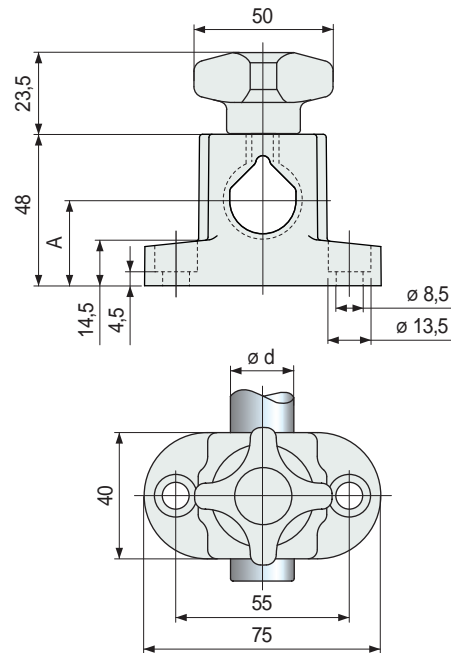


**T - clamp with eyebolt**

With nut



With knob



Part. **S0763**



| Version   | Rod dia. |         | Code   | Weight<br>kg |
|-----------|----------|---------|--------|--------------|
|           | d<br>mm  | A<br>mm |        |              |
| with nut  | 12       | 32,7    | 610093 | 0,09         |
|           | 14       | 31,2    | 610103 |              |
|           | 16       | 29,8    | 610113 |              |
|           | 18       | 28,4    | 610183 |              |
|           | 20       | 27      | 610123 |              |
| with knob | 12       | 32,7    | 610593 | 0,12         |
|           | 14       | 31,2    | 610603 |              |
|           | 16       | 29,8    | 610613 |              |
|           | 18       | 28,4    | 610623 |              |
|           | 20       | 27      | 610633 |              |

- Material: clamp and knob in reinforced polyamide PA FV (black). Threaded insert in nickel plated brass, nut, washer and eyebolt in austenitic stainless steel.
- Max recommended tightening torque: 4 Kgm.
- Packaging: 25 pieces.

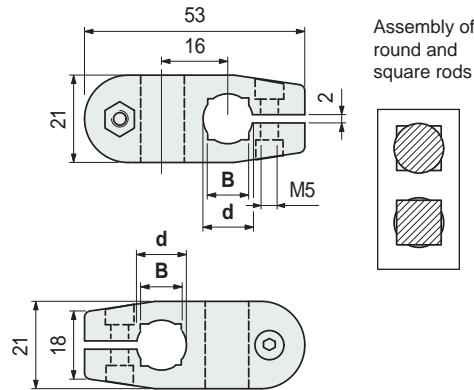
- **Best Seller**
- **Standard**
- **On request:** minimum quantity may apply. Consult our Customer Service for availability.

Item code for order = Part. + Code

Part. S0340



■ Cross clamp



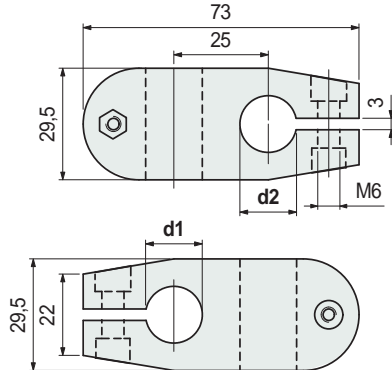
| Tightening bolt material   | Rod dia. d mm | Square rod B mm | Code   | Weight kg |
|----------------------------|---------------|-----------------|--------|-----------|
| Austenitic stainless steel | 10            | 8               | 68373  | 0,02      |
|                            | 12            | 10              | 68385  |           |
|                            | 14            | 12              | 67375  |           |
| Zinc plated steel          | 10            | 8               | 627031 | 0,02      |
|                            | 12            | 10              | 627041 |           |
|                            | 14            | 12              | 627051 |           |

- Material: clamp in reinforced polyamide PA FV (black).
- Max. recommended tightening torque: 0,5 Kgm.
- Packaging: 50 pieces.

Part. S0174  
Part. S0174R



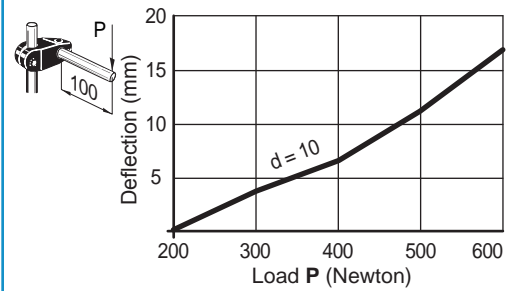
■ Cross clamp



| Material                                   | Rod dia. d1 mm | Rod dia. d2 mm | Code          | Weight kg |
|--|----------------|----------------|---------------|-----------|
| Reinforced polyamide PA FV (black)         |                | 14             | S017457941    | 0,07      |
|  |                | 15             | S01749291     |           |
|  |                | 16             | S01749301     |           |
|  |                | 18             | S017459311    |           |
|  |                | 15             | S017453791    |           |
|  |                | 16             | S017459321    |           |
|  |                | 18             | S017459331    |           |
|  |                | 16             | S017453781    |           |
|  |                | 18             | S017459341    |           |
|  |                | 18             | S017453771    |           |
| Reinforced polyamide PA FV special (black) | 20             | 20             | S0174652452   |           |
| Reinforced polyamide PA FV special (black) | 15             | 15             | S0174R6188700 | 0,07      |
| Reinforced polyamide PA FV special (black) | 18             | 18             | S0174R6499700 |           |

- Material: tightening bolt in austenitic stainless steel.
- Max recommended tightening torque: 1 Kgm (Part. S0174); 1,5 Kgm (Part. S0174R).
- Packaging: 50 pieces.

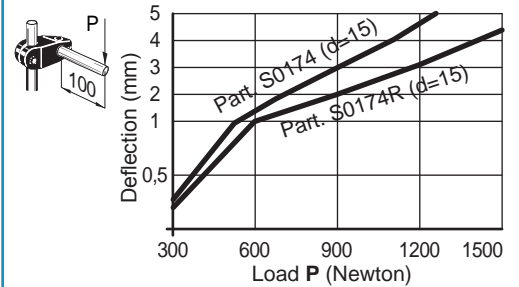
• Deflection of Part. S0340



• Technical data Part. S0340

- sliding load: 1200 N
- rotation load: 5 N/m
- Tests performed at tightening torque: 0,5 Kgm

• Deflection of Part. S0174 - S0174R



• Technical data Part. S0174

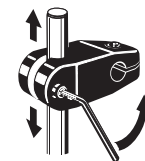
- sliding load: 2500 N (with d = 14 - 15 - 16)  
2800 N (with d = 18)
- rotation load: 13 N/m
- Tests performed at tightening torque: 1 Kgm

• Technical data Part. S0174R

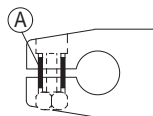
- sliding load: 3500 N
- rotation load: 25 N/m
- Tests performed at tightening torque: 1,5 Kgm

• Characteristics Part. S0174R

It differs from Part. S0174 in the use of a special material and a stiffening bush (spacer).

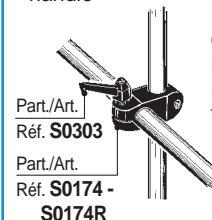


The increased elasticity of the material permits, once the bolts are untightened, the clamp to slide easily over the rod. Especially suitable for applications with frequent adjustment.



The spacers A (nickel plated brass) prevent breakage of clamp when bolts are tightened higher than max. recommended values. The resulting loads are absorbed by the spacers and not the body.

• Assembly of Part. S0174 - S0174R with ratchet handle



Can be applied with the ratchet handle Part. S0303 (code 60922), instead of the standard hardware.

● Best Seller

● Standard

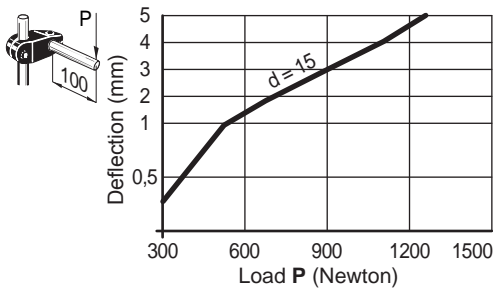
● On request: minimum quantity may apply. Consult our Customer Service for availability.

Item code for order = Part. + Code

# Connecting clamp

Part. S0174Q

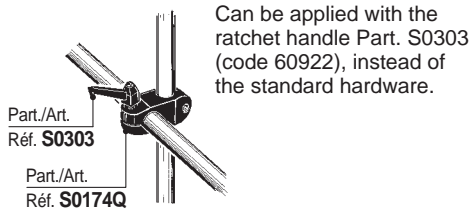
• Deflection of Part. S0174Q



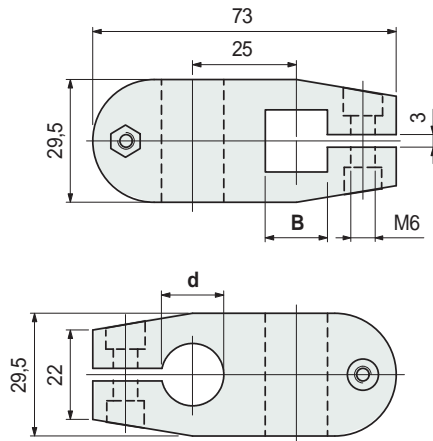
• Technical data Part. S0174Q

- sliding load: 2500 N (with d = 14 - 15 - 16)  
2800 N (with d = 18)
- rotation load: 13 N/m
- Tests performed at tightening torque: 1 Kgm

• Assembly of Part. S0174Q with ratchet handle



■ Cross clamp



| Square rod B mm | Rod dia. d mm | Code  | Weight kg |
|-----------------|---------------|-------|-----------|
| 12              | 14            | 59351 | 0,07      |
|                 | 15            | 59361 |           |
|                 | 16            | 59371 |           |
|                 | 18            | 59381 |           |

- Material: clamp in reinforced polyamide PA FV (black), tightening bolt in austenitic stainless steel, nuts in nickel plated brass.
- Max recommended tightening torque: 1 Kgm.
- Packaging: 50 pieces.

- Best Seller
- Standard
- On request: minimum quantity may apply. Consult our Customer Service for availability.

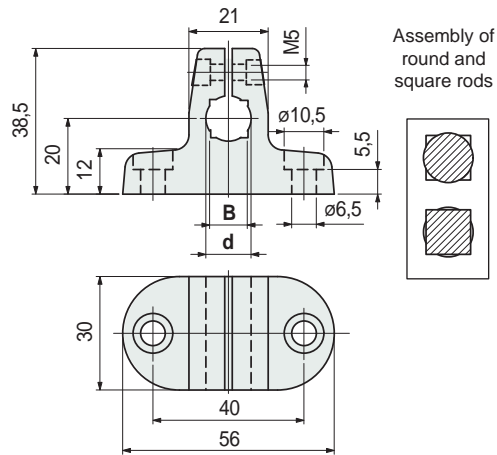
Item code for order = Part. + Code



Part. S0339



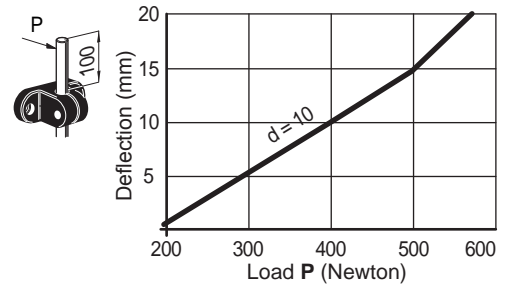
T-clamp



| Tightening bolt material   | Rod dia. d mm | Square rod B mm | Code   | Weight kg |
|----------------------------|---------------|-----------------|--------|-----------|
| Austenitic stainless steel | 10            | 8               | 68363  | 0,03      |
|                            | 12            | 10              | 68375  |           |
|                            | 14            | 12              | 67365  |           |
| Zinc plated steel          | 10            | 8               | 626001 |           |
|                            | 12            | 10              | 627011 |           |
|                            | 14            | 12              | 627021 |           |

- Material: clamp in reinforced polyamide PA FV (black).
- Max. recommended tightening torque: 0,5 Kgm.
- Packaging: 50 pieces.

Deflection of Part. S0339

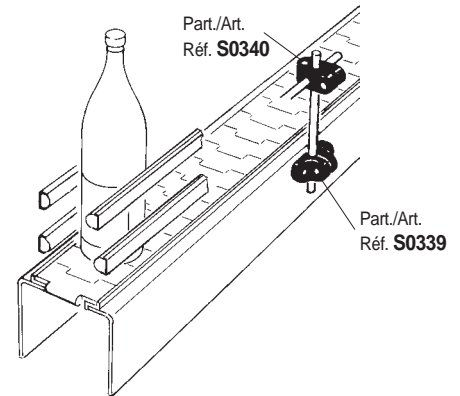


Technical data Part. S0339

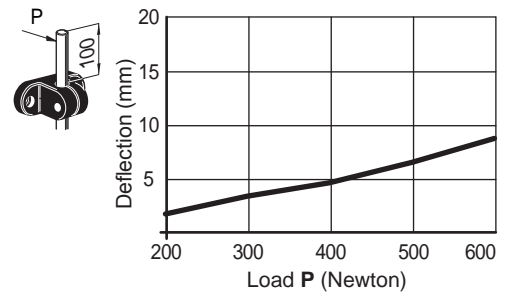
- sliding load: 650 N
- rotation load: 5 N/m
- Tests performed at tightening torque: 0,5 Kgm

Assembly of Part. S0339

Can be used in combination with Part. S0340



Deflection of Part. S0595

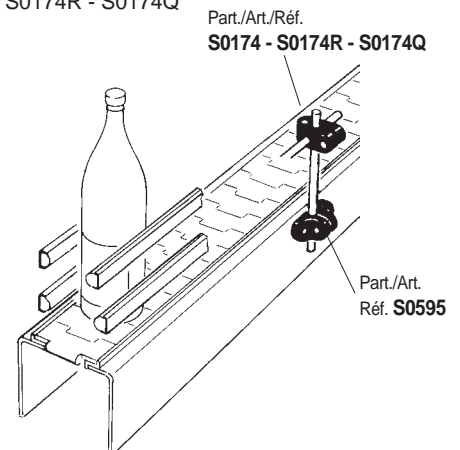


Technical data Part. S0595

- sliding load: 600 N (with d = 16)
- 500 N (with d = 18 - 20)
- Tests performed at tightening torque: 1,5 Kgm

Assembly of Part. S0595

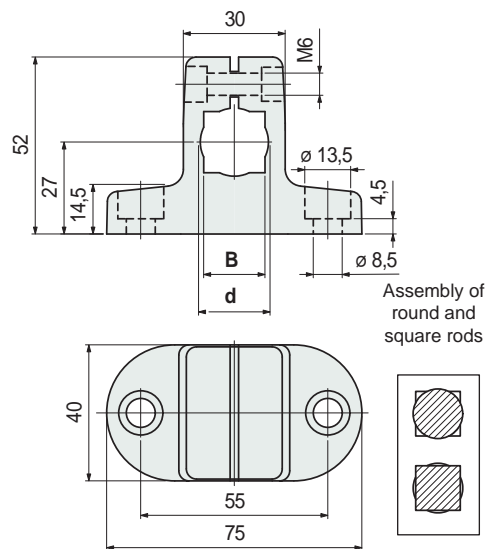
Can be used in combination with Part. S0174 - S0174R - S0174Q



Part. S0595



T-clamp



| Tightening bolt material   | Rod dia. d mm | Square rod B mm | Code   | Weight kg |
|----------------------------|---------------|-----------------|--------|-----------|
| Austenitic stainless steel | 16            | 14              | 610432 | 0,07      |
|                            | 18            | 16              | 610442 |           |
|                            | 20            | 18              | 610452 |           |
| Zinc plated steel          | 16            | 14              | 610462 |           |
|                            | 18            | 16              | 610472 |           |
|                            | 20            | 18              | 610482 |           |

- Material: clamp in reinforced polyamide PA FV (black).
- Max recommended tightening torque: 1,5 Kgm.
- Packaging: 50 pieces.

● Best Seller

● Standard

● On request: minimum quantity may apply. Consult our Customer Service for availability.

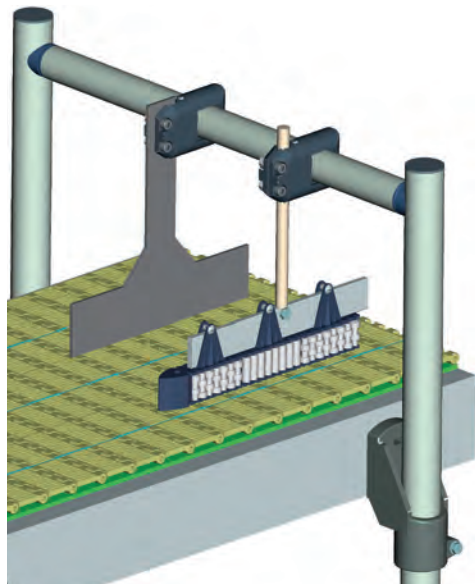
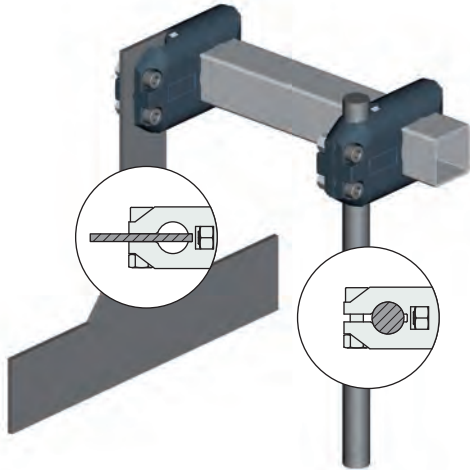
Item code for order = Part. + Code

# Connecting clamp

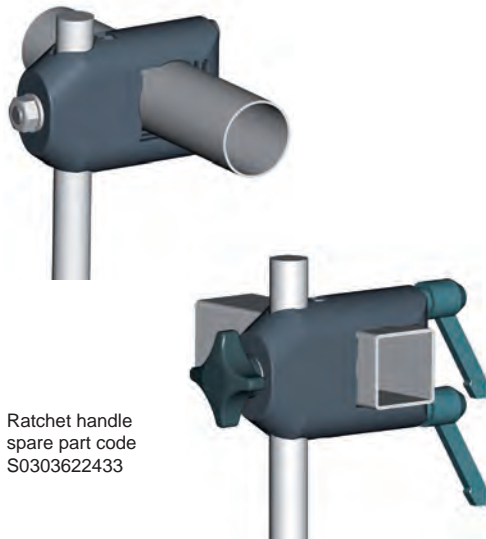
**• Characteristics of Part. S0786**

Are indicated for end-line applications, to support centre guide or dividers, to separate and align containers before packing area.

**• Use of Part. S0786 (for square and round tubes)**

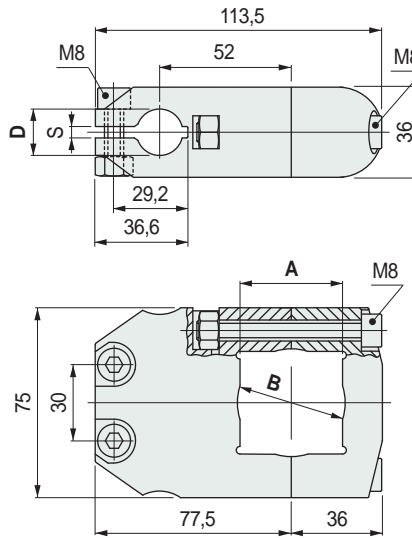


**• Use of Part. S0786 (for square and round tubes)**



Ratchet handle spare part code S0303622433

**■ Cross clamp**



| Square tube A mm | Round tube B mm | Round rod D mm | Plate S mm | Code   | Weight kg |
|------------------|-----------------|----------------|------------|--------|-----------|
| 40               | 42,4            | 20             | 4          | 621783 | 0,27      |

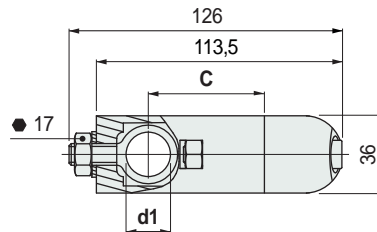
- Material: clamp in reinforced polyamide PA FV (black), tightening screws in austenitic stainless steel, nuts in nickel plated brass.
- Max recommended tightening torque: 2 Kgm.
- Packaging: 25 pieces.

Part. S0786

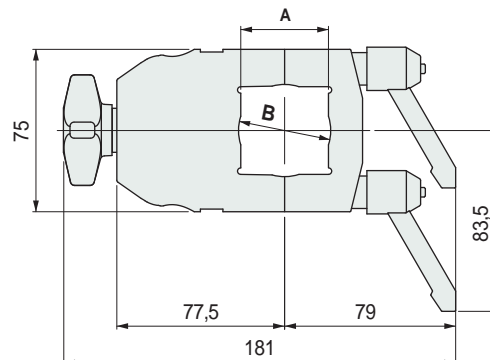


**■ Cross clamp**

**With nut**



**With knob and ratchet handles**



| Square tube A mm | Round tube B mm | Rod dia. C mm | d1 mm | Code   | Weight kg |
|------------------|-----------------|---------------|-------|--------|-----------|
| 40               | 42,4            | 55            | 15-16 | 618383 | 622413    |
|                  |                 | 52            | 20    | 618393 | 622423    |

- Material: clamp in reinforced polyamide PA FV (black) , tightening screws in austenitic stainless steel.
- Ratchet handle: handle in reinforced polyamide in PA FV (black), spindle in zinc plated steel.
- Max recommended tightening torque: 2 Kgm.
- Packaging: 25 pieces.

Part. S0786



● Best Seller

● Standard

● On request: minimum quantity may apply. Consult our Customer Service for availability.

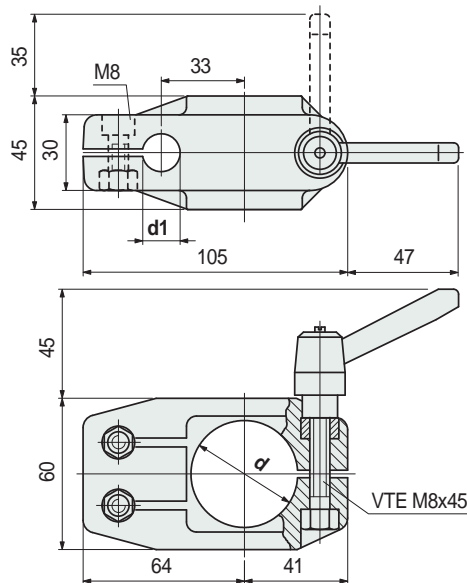
Item code for order = Part. + Code

Part. S0633



Round bore

■ Cross clamp with ratchet handle clamping



| Tube dia.<br>d<br>mm | Rod dia.<br>d1<br>mm | Code   | Weight<br>kg |
|----------------------|----------------------|--------|--------------|
| 42,4 (1" 1/4)        | 15                   | 647152 | 0,23         |
|                      | 20                   | 655402 |              |

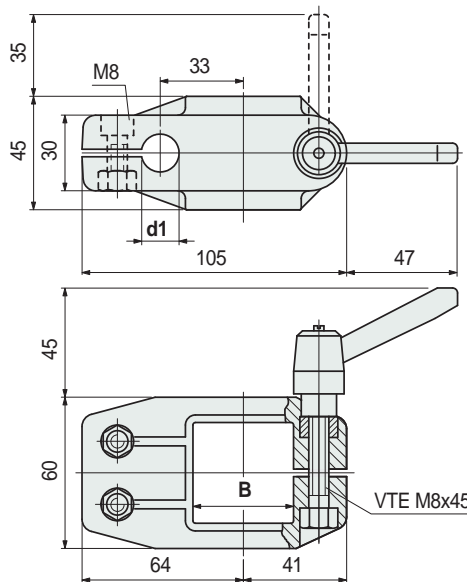
- Material clamp: body in reinforced polyamide PA FV (black), tightening screws in austenitic stainless steel, nuts in nickel plated brass.
- Material handle: body in reinforced polyamide PA FV (black), threaded insert in nickel plated brass.
- Max recommended tightening torque: 1,5 Kgm (handle), 2 Kgm (screws).
- Packaging: 25 pieces.

Part. S0633



Square bore

■ Cross clamp with ratchet handle clamping



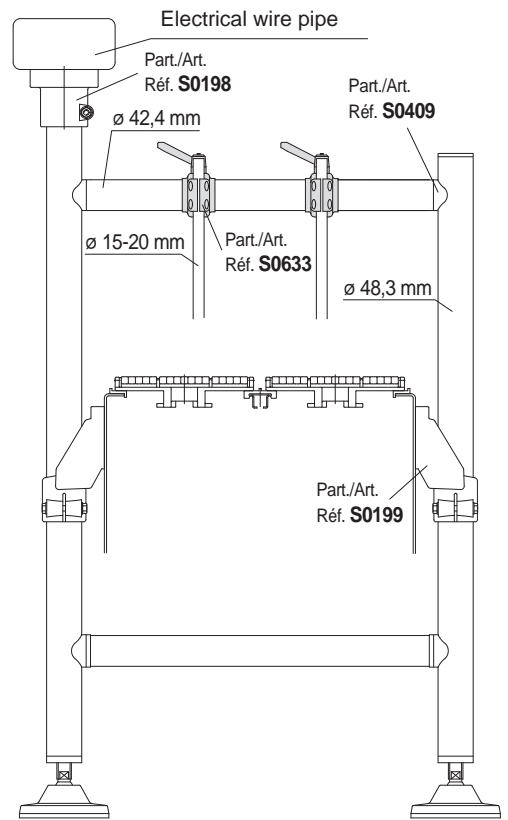
| Square tube<br>B<br>mm | Rod dia.<br>d1<br>mm | Code   | Weight<br>kg |
|------------------------|----------------------|--------|--------------|
| 40 x 40                | 15                   | 655412 | 0,23         |
|                        | 20                   | 647162 |              |

- Material clamp: body in reinforced polyamide PA FV (black), tightening screws in austenitic stainless steel, nuts in nickel plated brass.
- Material handle: body in reinforced polyamide PA FV (black), threaded insert in nickel plated brass.
- Max recommended tightening torque: 1,5 Kgm (handle), 2 Kgm (screws).
- Packaging: 25 pieces.

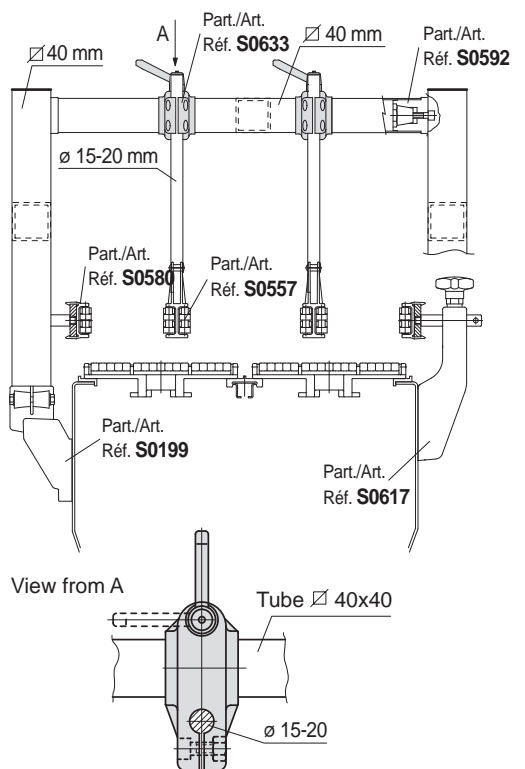
• Characteristics of Part. S0633

Easy and quick adjustment of guides supported by bridge structure.

• Use of Part. S0633 (for round tubes)



• Use of Part. SS0633 (for square tubes)



● Best Seller

● Standard

● On request: minimum quantity may apply. Consult our Customer Service for availability.

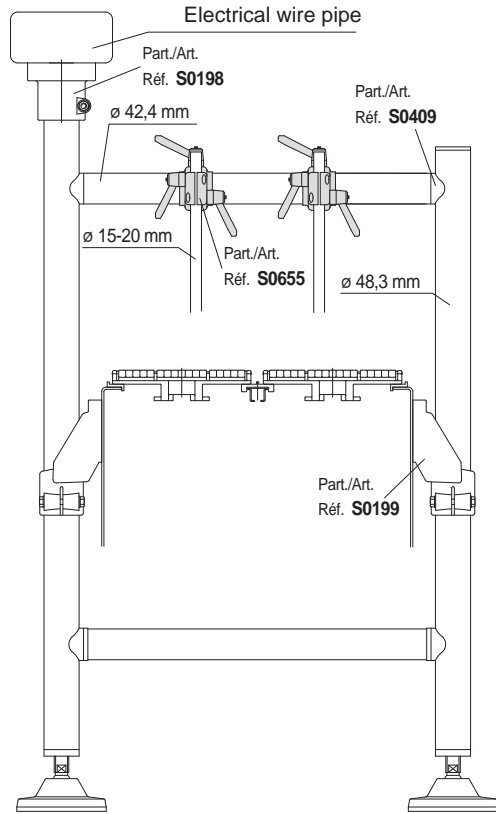
Item code for order = Part. + Code

# Connecting clamp

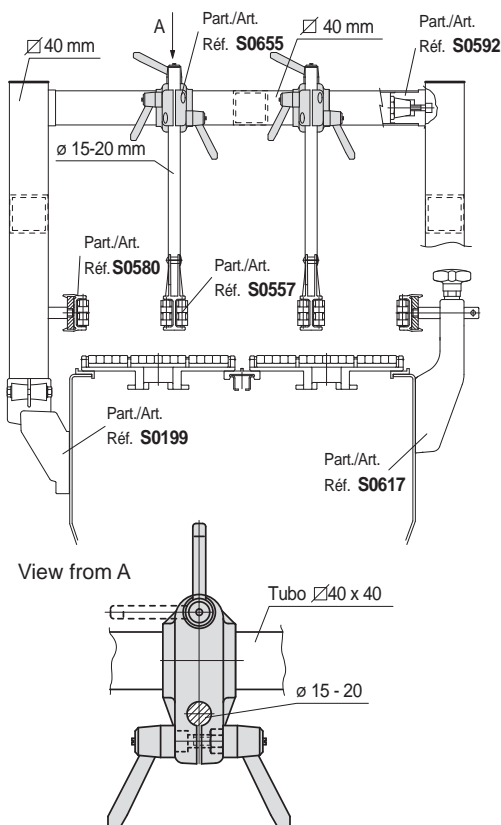
**Characteristics of Part. S0655**

Easy and quick adjustment of guides supported by bridge structure.

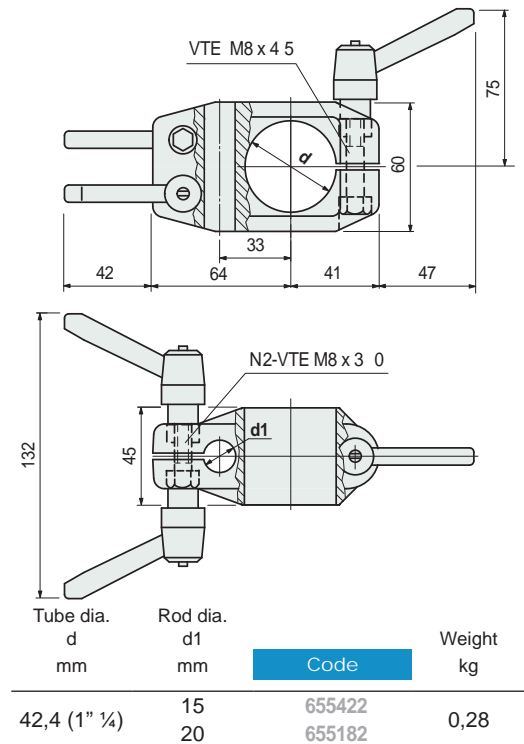
**Use of Part. S0655 (for round tubes)**



**Use of Part. SS0655 (for square tubes)**



**Cross clamp with ratchet handle clamping**



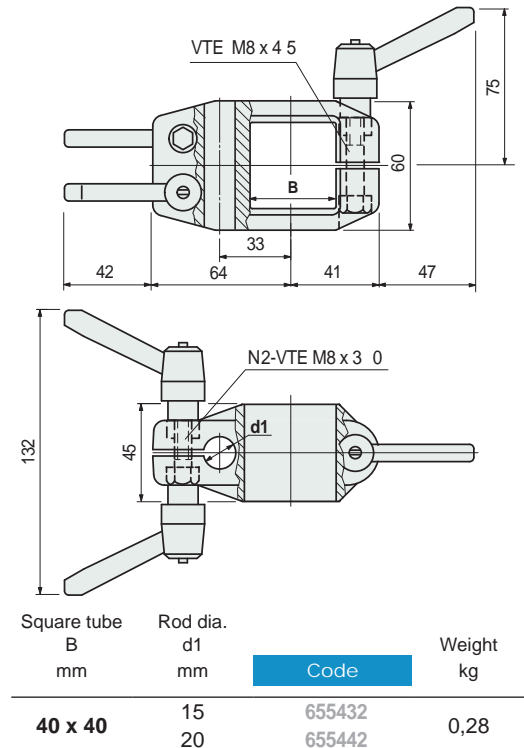
- Material clamp: body in reinforced polyamide PA FV (black), tightening screws in austenitic stainless steel.
- Material handles: body in reinforce polyamide PA FV (black), threaded insert in nickel plated brass.
- Max recommended tightening torque: 1,5 Kgm.
- Packaging: 25 pieces.

Part. S0655



Round bore

**Cross clamp with ratchet handle clamping**



- Material clamp: body in reinforced polyamide PA FV (black), tightening screws in austenitic stainless steel.
- Material handles: body in reinforced polyamide PA FV (black), threaded insert in nickel plated brass.
- Max recommended tightening torque: 1,5 Kgm.
- Packaging: 25 pieces.

Part. S0655



Square bore

● Best Seller

● Standard

● On request: minimum quantity may apply. Consult our Customer Service for availability.

Item code for order = Part. + Code

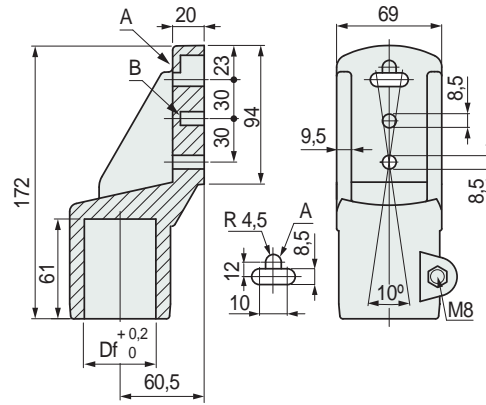
## Part. S0199



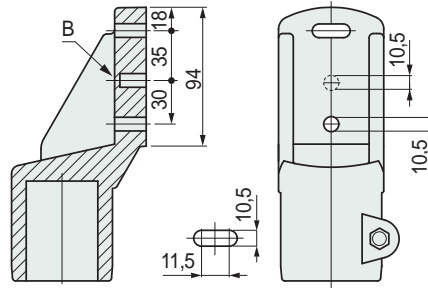
For round and square tubes

### Side mounting top bracket

Version with fixing holes for M8



Version with fixing holes for M10



| Tube dimensions<br>mm | Bore Df<br>mm | Bolts material | Code |
|-----------------------|---------------|----------------|------|
|-----------------------|---------------|----------------|------|

#### Version with fixing holes for M8

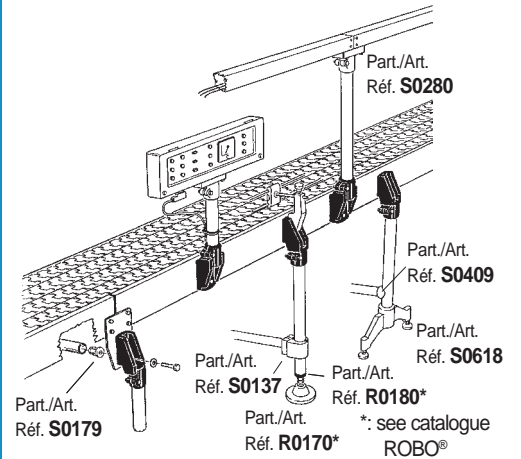
|                |        |                            |        |
|----------------|--------|----------------------------|--------|
| Ø 48,3 (1 1/2) | Ø 48,3 | Austenitic stainless steel | 59171  |
| Ø 50,8         | Ø 50,8 | Austenitic stainless steel | 664771 |
| ∅ 38x38        | ∅ 38   | Austenitic stainless steel | 611622 |
|                |        | Zinc plated steel          | 611712 |
| ∅ 40x40        | ∅ 40   | Austenitic stainless steel | 611632 |
|                |        | Zinc plated steel          | 611722 |

#### Version with fixing holes for M10

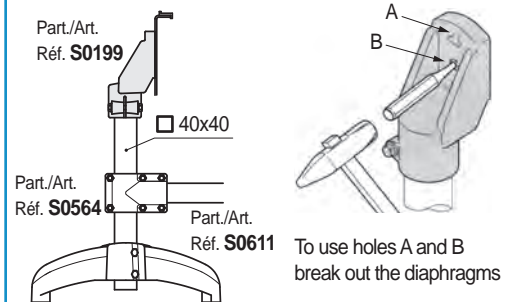
|                |        |                            |       |
|----------------|--------|----------------------------|-------|
| Ø 48,3 (1 1/2) | Ø 48,3 | Austenitic stainless steel | 61683 |
|----------------|--------|----------------------------|-------|

- Material: reinforced polyamide PA FV (black).
- Weight: 0,32 Kg.
- Max recommended tightening torque: 2 Kgm.
- Packaging: 24 pieces.

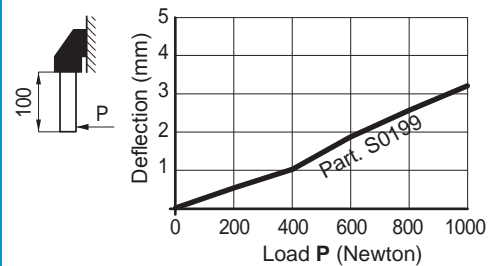
### Assembly of Part. S0199 (with round tubes)



### Assembly of Part. S0199 (with square tubes)



### Deflection of Part. S0199



### Sliding load



Part. S0199- Ø 48,3 (P = 3600 N)  
Part. S0199- ∅ 38 (P = 2600 N)  
Part. S0199- ∅ 40 (P = 1900 N)

### Breaking load



Part. S0199 (P = 35900 N)

Tests performed at tightening torque: 2 Kgm

● Best Seller

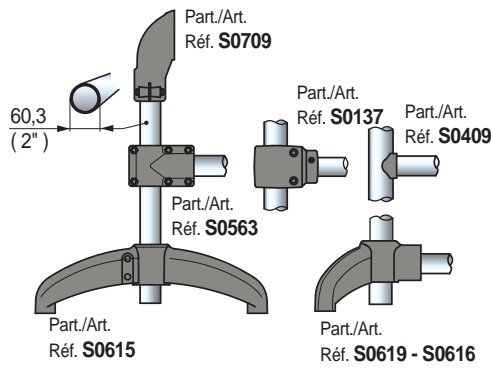
● Standard

● On request: minimum quantity may apply. Consult our Customer Service for availability.

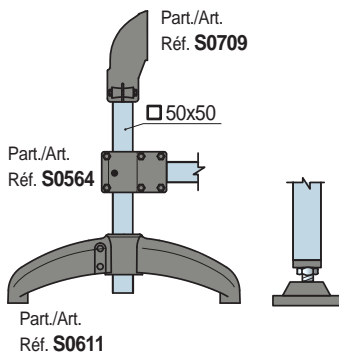
Item code for order = Part. + Code

# Side Mounting top Brackets

• Assembly of Part. S0709 with round tubes Ø 60,3 mm (2").

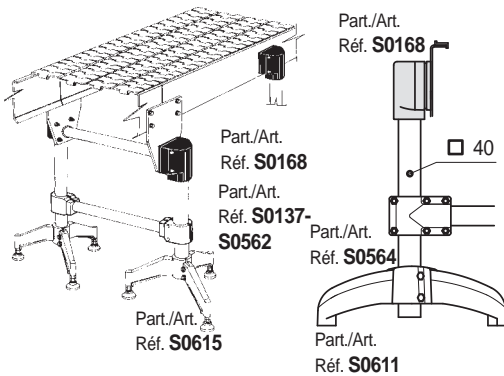


• Assembly of Part. S0709 (with square tubes 50 x 50 mm).

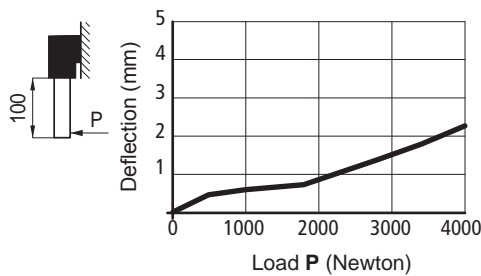


• Assembly of Part. S0168 (with square tubes)

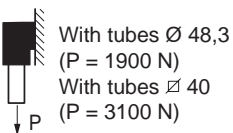
• Assembly of Part. S0168 (with round tubes)



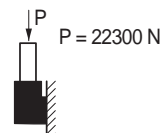
• Deflection of Part. S0168



• Sliding load

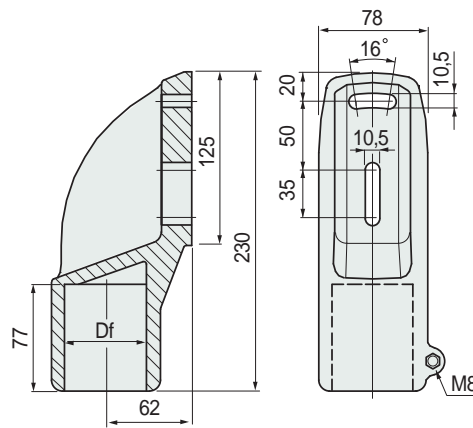


• Breaking load



Tests performed at tightening torque: 2 Kgm

## Side mounting top bracket



| Tube dimensions mm | Bore Df mm | Code   |
|--------------------|------------|--------|
| Ø 60,3 (2")        | Ø 60,3     | 685322 |
| ∅ 50 x 50          | ∅ 50       | 685332 |

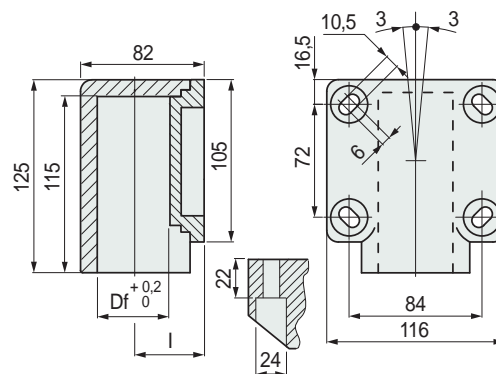
- Material: bracket in reinforced polyamide PA FV (black). Bolts in austenitic stainless steel.
- Weight: 0,75 Kg.
- Max recommended tightening torque: 2 Kgm.
- Packaging: 12 pieces.

Part. S0709



For round and square tubes

## Side mounting top bracket



| Tube dimensions mm | Bore Df mm | I mm | Code   |
|--------------------|------------|------|--------|
| Ø 48,3 (1 1/2)     | Ø 48,3     | 46   | 50451  |
| ∅ 40 x 40          | ∅ 40       | 50   | 611672 |

- Material: reinforced polyamide PA FV (black).
- Weight: 0,42 Kg.
- Max recommended tightening torque: 2,5 Kgm.
- Packaging: 8 pieces.

Part. S0168



For round and square tubes

● Best Seller

● Standard

● On request: minimum quantity may apply. Consult our Customer Service for availability.

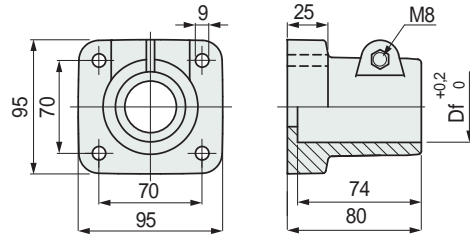
Item code for order = Part. + Code

Part. S0198



For round and square tubes

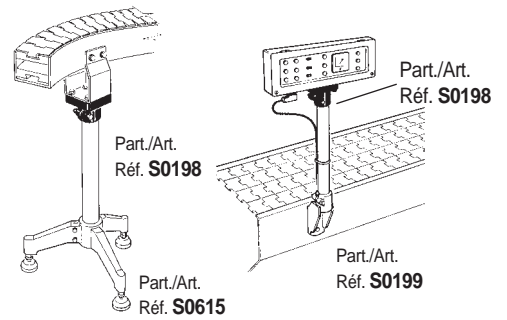
■ Bearing head



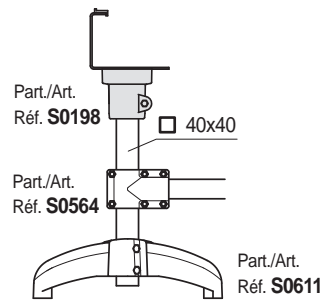
| Tube dimensions<br>mm | Bore Df<br>mm | Bolts material             | Code   |
|-----------------------|---------------|----------------------------|--------|
| Ø 48,3 (1 1/2)        | Ø 48,3        | Austenitic stainless steel | 59161  |
| Ø 50,8                | Ø 50,8        | Austenitic stainless steel | 664761 |
| ∅ 38x38               | ∅ 38          | Austenitic stainless steel | 611602 |
|                       |               | Zinc plated steel          | 611682 |
| ∅ 40x40               | ∅ 40          | Austenitic stainless steel | 611612 |
|                       |               | Zinc plated steel          | 611692 |

- Material: reinforced polyamide PA FV (black).
- Weight: 0,30 Kg.
- Max recommended tightening torque: 2 Kgm.
- Packaging: 24 pieces.

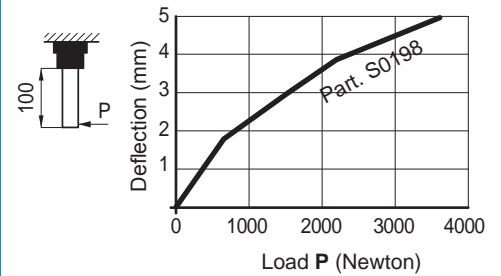
• Assembly of Part. S0198 (with round tubes)



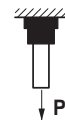
• Assembly of Part. S0198 (with square tubes)



• Deflection of Part. S0198



• Sliding load



- Part. S0198- Ø48,3 (P = 1900 N)
- Part. S0198- ∅ 38 (P = 4400 N)
- Part. S0198- ∅ 40 (P = 2300 N)

Tests performed at tightening torque: 2 Kgm

● Best Seller

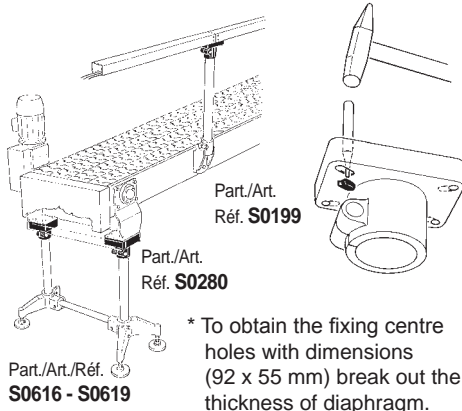
● Standard

● On request: minimum quantity may apply. Consult our Customer Service for availability.

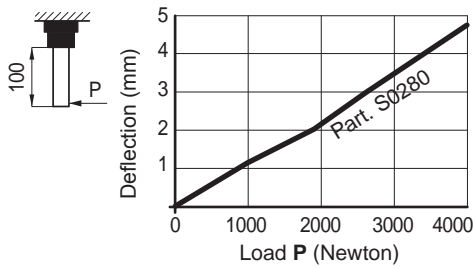
Item code for order = Part. + Code

# Bearing Heads

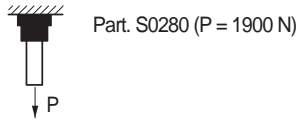
• Assembly of Part. S0280



• Deflection of Part. S0280

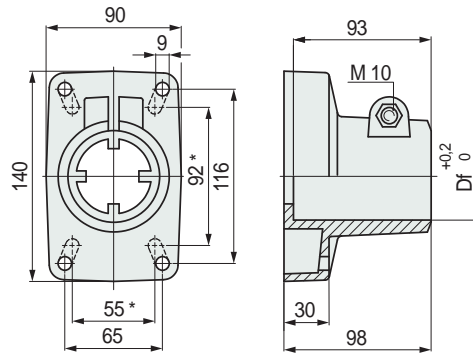


• Sliding load



Tests performed at tightening torque:  
- 3,5 Kgm (for Part. S0280)

■ Bearing head



| Tube dimensions mm | Bore Df mm | Code   |
|--------------------|------------|--------|
| Ø 48,3 (1 1/2")    | 48,3       | 63503  |
| Ø 50,8             | 50,8       | 664781 |
| Ø 60,3 (2")        | 60,3       | 66781  |

- Material: head in reinforced polyamide PA FV (black).
- Bolts material: austenitic stainless steel.
- Weight: 0,40 Kg.
- Max recommended tightening torque: 3,5 Kgm.
- Packaging: 8 pieces.

Part. S0280



For round tubes

- Best Seller
- Standard
- On request: minimum quantity may apply. Consult our Customer Service for availability.

Item code for order = Part. + Code

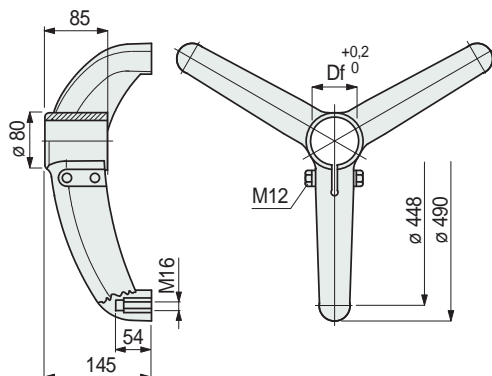


Part. S0615

Support base (tripod)



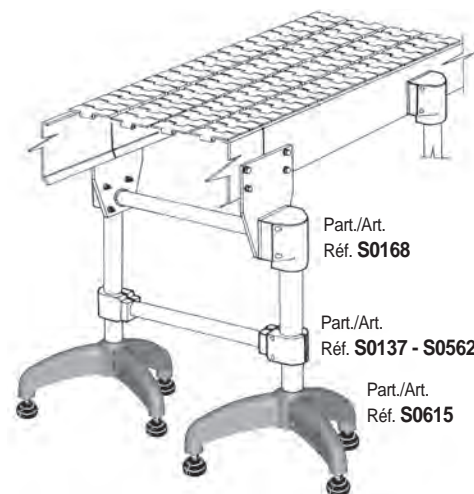
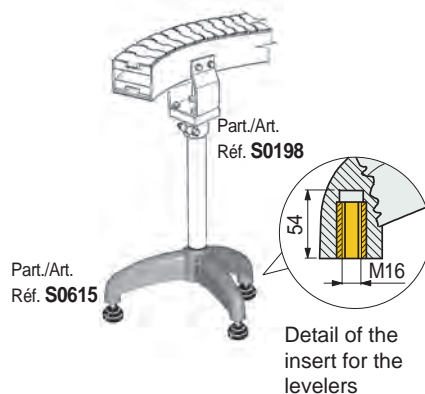
For round tubes



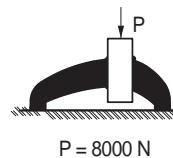
| Tube dimensions<br>mm                      | Bore dia.<br>Df<br>mm | Code   |
|--|-----------------------|--------|
| <b>Bolts in austenitic stainless steel</b> |                       |        |
| 38,1                                       | 38,1                  | 624242 |
| 42,4 (1 1/4)                               | 42,4                  | 624252 |
| 48,3 (1 1/2)                               | 48,3                  | 624262 |
| 50,8                                       | 50,8                  | 624272 |
| 60,3 (2")                                  | 60,3                  | 621522 |
| <b>Bolts in zinc plated steel</b>          |                       |        |
| 38,1                                       | 38,1                  | 638742 |
| 42,4 (1 1/4)                               | 42,4                  | 638752 |
| 48,3 (1 1/2)                               | 48,3                  | 638762 |
| 50,8                                       | 50,8                  | 638772 |
| 60,3 (2")                                  | 60,3                  | 638782 |

- Material: support base in reinforced polyamide PA FV (black), brass threaded bushings.
- Weight: 1,45 Kg.
- Max recommended tightening torque: 3,6 Kgm.
- Packaging: 8 pieces.

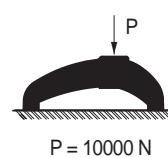
Assembly of Part. S0615



Sliding load

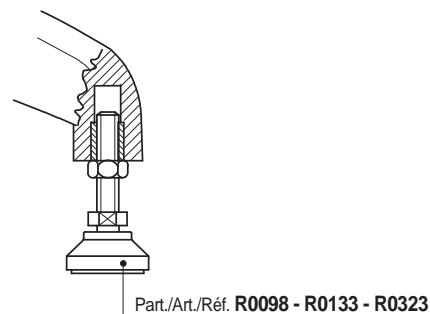


Max applicable load



Tests performed at tightening torque: 3,6 Kgm

Types of levelers that can be used



● Best Seller

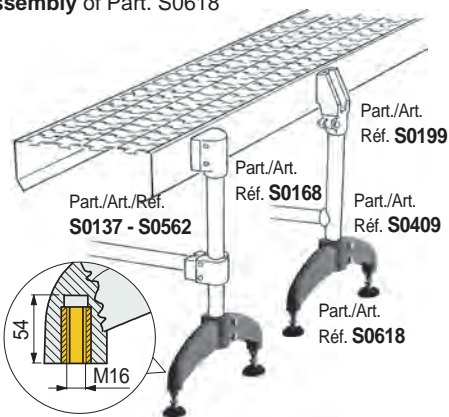
● Standard

● On request: minimum quantity may apply. Consult our Customer Service for availability.

Item code for order = Part. + Code

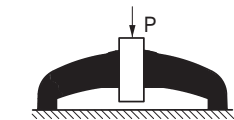
# Support Bases

## • Assembly of Part. S0618



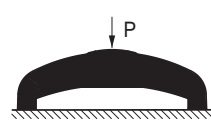
Detail of the insert for the levelers.

## • Sliding load



Part. S0618 (P = 8000 N)  
Part. S0611 (P = 8000 N)

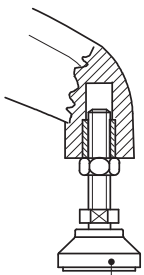
## • Max applicable load



Part. S0618 (P = 9600 N)  
Part. S0611 (P = 8000 N)

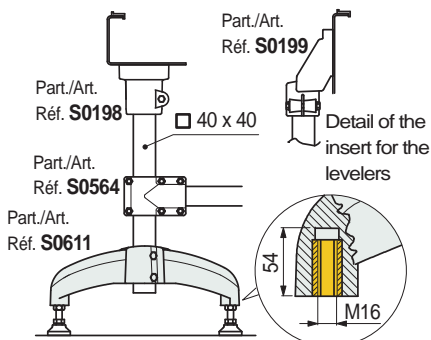
Tests performed at tightening torque:  
3,6 Kgm (Part. S0618), 2,5 Kgm (Part. S0611)

## • Types of levelers that can be used



Part./Art./Réf. R0098 - R0133 - R0323

## • Assembly of Part. S0611



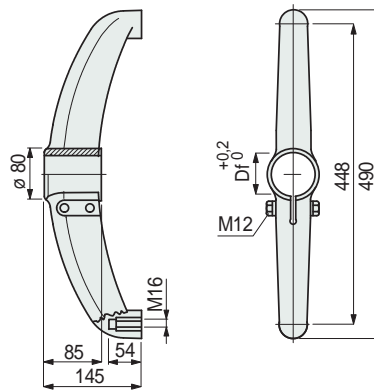
## • Part. S0611 available versions

**Closed version**  
Easy to clean

**Open version**load



## ■ Support base (bipod)



Tube dimensions  
mm

Bore dia.  
Df mm

Code

### Bolts in austenitic stainless steel

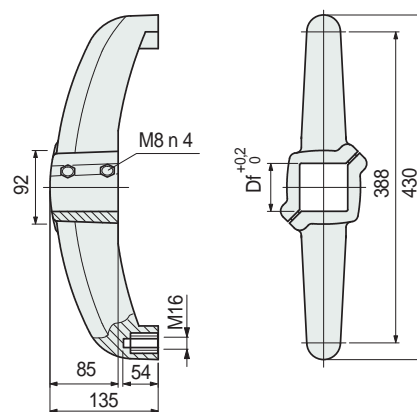
|            |      |        |
|------------|------|--------|
| 38,1       | 38,1 | 624282 |
| 42,4 (1"¼) | 42,4 | 624292 |
| 48,3 (1"½) | 48,3 | 624302 |
| 50,8       | 50,8 | 624312 |
| 60,3 (2")  | 60,3 | 624322 |

### Bolts in zinc plated steel

|            |      |        |
|------------|------|--------|
| 38,1       | 38,1 | 638792 |
| 42,4 (1"¼) | 42,4 | 638802 |
| 48,3 (1"½) | 48,3 | 638812 |
| 50,8       | 50,8 | 638822 |
| 60,3 (2")  | 60,3 | 638832 |

- Material: support base in reinforced polyamide PA FV (black), brass threaded bushings.
- Weight: 1,05 Kg.
- Max recommended tightening torque: 3,6 Kgm.
- Packaging: 12 pieces.

## ■ Support base (bipod)



Tube dimensions  
mm

Bore  
Df mm

Code

Closed version    Open version

|           |      |        |        |
|-----------|------|--------|--------|
| ∅ 40 x 40 | ∅ 40 | 615542 | 616082 |
| ∅ 50 x 50 | ∅ 50 | 615552 | 616092 |
| ∅ 60 x 60 | ∅ 60 | 615562 | 616102 |

- Material: support base in reinforced polyamide PA FV (black), bolts in austenitic stainless steel, tightening bushes in nickel plated brass, brass threaded bushings.
- Max recommended tightening torque: 2,5 Kgm.
- Weight: 0,9 Kg.
- Packaging: 10 pieces (20 half bases).

## Part. S0618



For round tubes

## Part. S0611



For square tubes

● Best Seller

● Standard

● On request: minimum quantity may apply. Consult our Customer Service for availability.

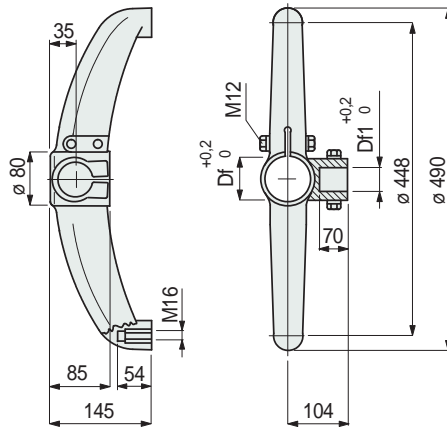
Item code for order = Part. + Code

Part. S0619

Support base (bipod)



For round tubes



| Vertical tube dia. mm | Horizontal tube dia. mm | Bore dia. Df mm | Bore dia. Df1 mm | Code |
|-----------------------|-------------------------|-----------------|------------------|------|
|-----------------------|-------------------------|-----------------|------------------|------|

**Bolts in austenitic stainless steel**

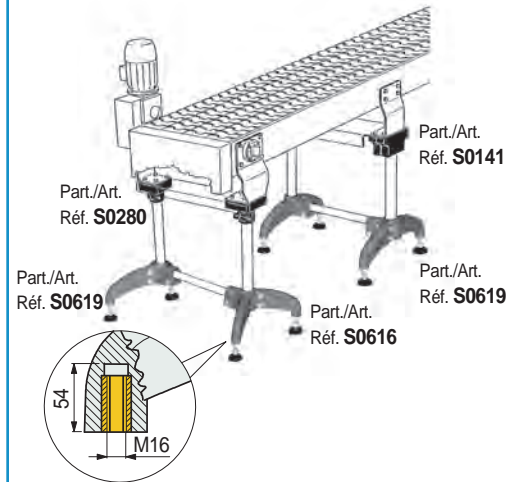
|              |              |      |      |        |
|--------------|--------------|------|------|--------|
| 42,4 (1 1/4) | 42,4 (1 1/4) | 42,4 | 42,4 | 624352 |
| 48,3 (1 1/2) | 42,4 (1 1/4) | 48,3 | 42,4 | 624372 |
| 48,3 (1 1/2) | 48,3 (1 1/2) | 48,3 | 48,3 | 692052 |
| 50,8         | 42,4 (1 1/4) | 50,8 | 42,4 | 624402 |
| 60,3 (2")    | 42,4 (1 1/4) | 60,3 | 42,4 | 624432 |

**Bolts in zinc plated steel**

|              |              |      |      |        |
|--------------|--------------|------|------|--------|
| 42,4 (1 1/4) | 42,4 (1 1/4) | 42,4 | 42,4 | 638842 |
| 48,3 (1 1/2) | 42,4 (1 1/4) | 48,3 | 42,4 | 638852 |
| 48,3 (1 1/2) | 48,3 (1 1/2) | 48,3 | 48,3 | 600213 |
| 50,8         | 42,4 (1 1/4) | 50,8 | 42,4 | 638862 |
| 60,3 (2")    | 42,4 (1 1/4) | 60,3 | 42,4 | 638872 |

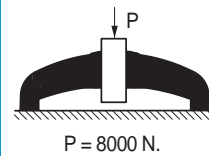
- Material: support base in reinforced polyamide PA FV (black), brass threaded bushings.
- Weight: 1,05 Kg.
- Max recommended tightening torque: 3,6 Kgm.
- Packaging: 12 pieces.

• Assembly of Part. S0619

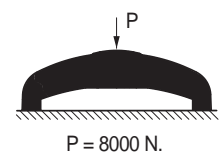


Detail of the insert for the levelers.

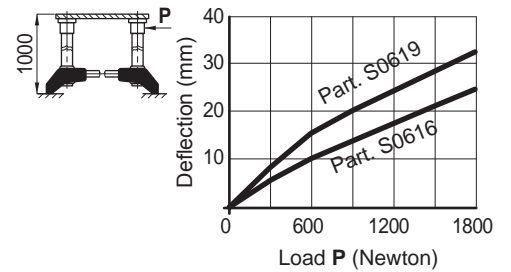
• Sliding load



• Max applicable load

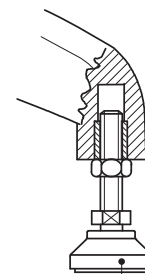


• Deflection



Tests performed at tightening torque: 3,6 Kgm

• Types of levelers that can be used



Part./Art./Réf. R0098 - R0133 - R0323

● Best Seller

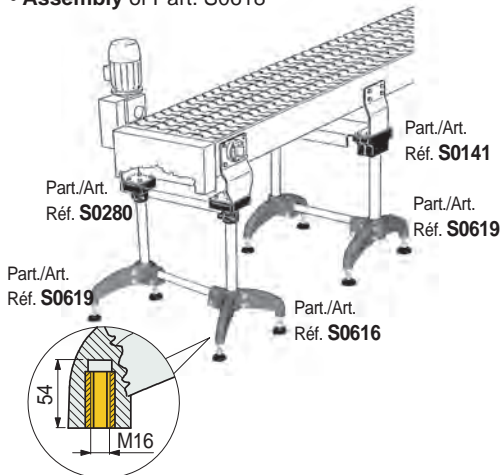
● Standard

● On request: minimum quantity may apply. Consult our Customer Service for availability.

Item code for order = Part. + Code

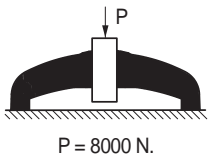
# Support Bases

## • Assembly of Part. S0618

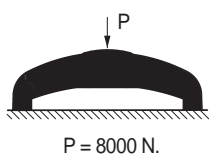


Detail of the insert for the levels.

## • Sliding load

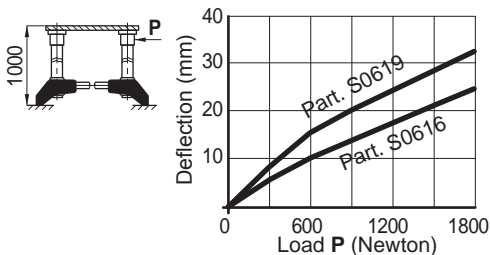


## • Max applicable load



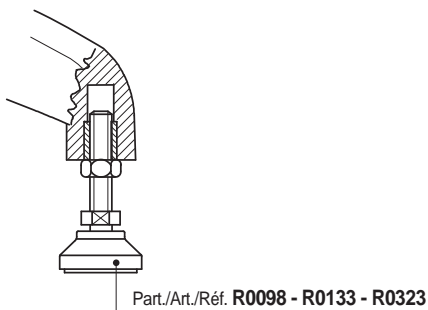
## • Deflection

Part. S0616 offers a better rigidity than Part. S0619

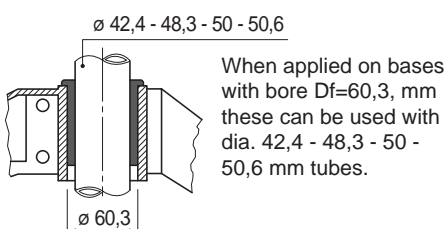


Tests performed at tightening torque: 3,6 Kgm

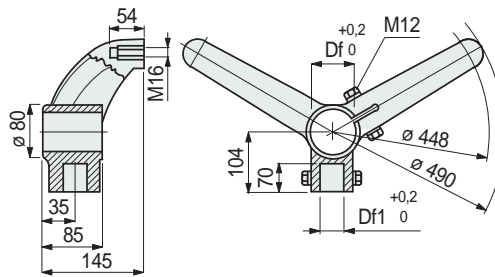
## • Types of levels that can be used



## • Assembly of Part. S0124



## ■ Support base (bipod)



| Vertical tube dia. mm | Horizontal tube dia. mm | Bore dia. Df mm | Bore dia. Df1 mm | Code |
|-----------------------|-------------------------|-----------------|------------------|------|
|-----------------------|-------------------------|-----------------|------------------|------|

### Bolts in austenitic stainless steel

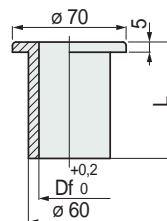
|              |              |      |      |        |
|--------------|--------------|------|------|--------|
| 42,4 (1 1/4) | 42,4 (1 1/4) | 42,4 | 42,4 | 624472 |
| 48,3 (1 1/2) | 42,4 (1 1/4) | 48,3 | 42,4 | 624492 |
| 48,3 (1 1/2) | 48,3 (1 1/2) | 48,3 | 48,3 | 611203 |
| 50,8         | 42,4 (1 1/4) | 50,8 | 42,4 | 624522 |
| 60,3 (2")    | 42,4 (1 1/4) | 60,3 | 42,4 | 624552 |

### Bolts in zinc plated steel

|              |              |      |      |        |
|--------------|--------------|------|------|--------|
| 42,4 (1 1/4) | 42,4 (1 1/4) | 42,4 | 42,4 | 638882 |
| 48,3 (1 1/2) | 42,4 (1 1/4) | 48,3 | 42,4 | 638892 |
| 48,3 (1 1/2) | 48,3 (1 1/2) | 48,3 | 48,3 | 611213 |
| 50,8         | 42,4 (1 1/4) | 50,8 | 42,4 | 638902 |
| 60,3 (2")    | 42,4 (1 1/4) | 60,3 | 42,4 | 638912 |

- Material: support base in reinforced polyamide PA FV (black), brass threaded bushings.
- Weight: 1,05 Kg.
- Max recommended tightening torque: 3,6 Kgm.
- Packaging: 12 pieces.

## ■ Reduction bushing



| Tube dia. mm | Bore dia. Df mm | L mm | Code   | Weight kg |
|--------------|-----------------|------|--------|-----------|
| 42,4 (1 1/4) | 42,4            | 85   | 61980  | 0,10      |
| 48,3 (1 1/2) | 48,3            | 50   | 692711 |           |
|              |                 | 85   | 61970  |           |
| 50           | 50              | 85   | 51361  | 0,10      |
| 50,6         | 50,6            | 85   | 61770  |           |

- Material: polyamide PA (black).
- Packaging: 10 pieces.

## Part. S0616



For round tubes

## Part. S0124



● Best Seller

● Standard

● On request: minimum quantity may apply. Consult our Customer Service for availability.

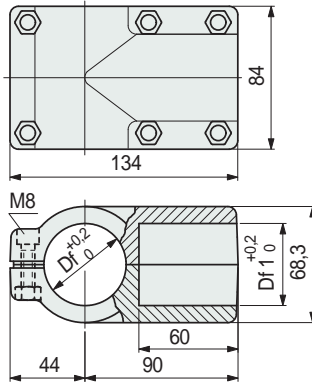
Item code for order = Part. + Code

Part. S0562



For round tubes

■ Connecting Joints



| Vertical tube dia. mm | Horizontal tube dia. mm | Bore dia. Df mm | Bore dia. Df1 mm | Code   |
|-----------------------|-------------------------|-----------------|------------------|--------|
| 33,7 (1")             | 33,7 (1")               | 33,7            | 33,7             | 697831 |
| 38,1                  | 33,7 (1")               | 38,1            | 33,7             | 605852 |
|                       | 38,1                    | 38,1            | 38,1             | 697841 |
| 42,4 (1 1/4)          | 33,7 (1")               | 42,4            | 33,7             | 607092 |
|                       | 38,1                    | 42,4            | 38,1             | 637353 |
|                       | 42,4                    | 42,4            | 42,4             | 637343 |
| 48,3 (1 1/2)          | 33,7 (1")               | 48,3            | 33,7             | 605862 |
|                       | 38,1                    | 48,3            | 38,1             | 697851 |
|                       | 42,4 (1 1/4)            | 48,3            | 42,4             | 607102 |
|                       | 48,3 (1 1/2)            | 48,3            | 48,3             | 697861 |

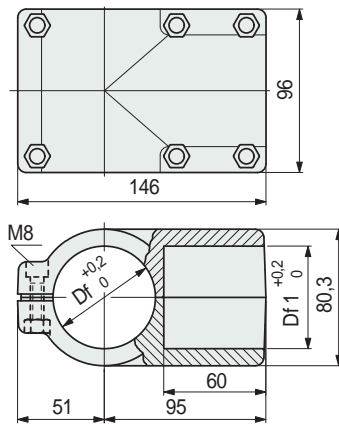
- Material: joint in reinforced polyamide PA FV (black). Tightening screws in austenitic stainless steel, nuts in nickel plated brass.
- Weight: 0,4 Kg.
- Max recommended tightening torque: 1,5 Kgm.
- Packaging: 8 pieces.

Part. S0563



For round tubes

■ Connecting Joints

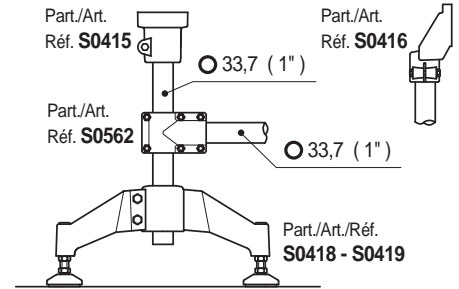


| Vertical tube dia. mm | Horizontal tube dia. mm | Bore dia. Df mm | Bore dia. Df1 mm | Code   |
|-----------------------|-------------------------|-----------------|------------------|--------|
| 50,8                  | 33,7 (1")               | 50,8            | 33,7             | 697871 |
|                       | 42,4 (1 1/4)            | 50,8            | 42,4             | 605892 |
|                       | 48,3 (1 1/2)            | 50,8            | 48,3             | 605872 |
| 60,3 (2")             | 50,8                    | 50,8            | 50,8             | 669512 |
|                       | 33,7 (1")               | 60,3            | 33,7             | 605882 |
|                       | 42,4 (1 1/4)            | 60,3            | 42,4             | 605562 |
|                       | 48,3 (1 1/2)            | 60,3            | 48,3             | 697881 |
|                       | 60,3 (2")               | 60,3            | 60,3             | 697891 |

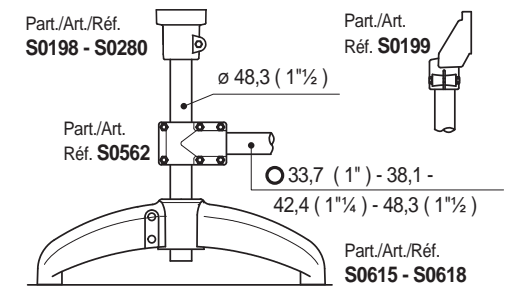
- Material: joint in reinforced polyamide PA FV (black). Tightening screws in austenitic stainless steel, nuts in nickel plated brass.
- Weight: 0,5 Kg.
- Max recommended tightening torque: 1,5 Kgm.
- Packaging: 8 pieces.

• Assembly of Part. S0562

Example of assembly with vertical tubes ø 33,7 mm

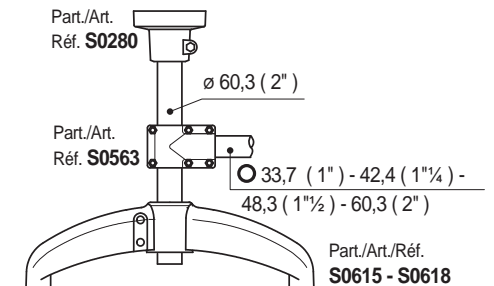


Example of assembly with vertical tubes ø 48,3 mm

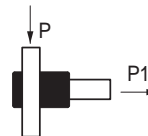


• Assembly of Part. S0563

Example of assembly with vertical tubes ø 60,3 mm



• Sliding load resistance



Part. S0562 (P = 2000 N) - (P1 = 3500 N)  
Part. S0563 (P = 1500 N) - (P1 = 3000 N)

Tests performed at tightening torque: 1,5 Kgm

● Best Seller

● Standard

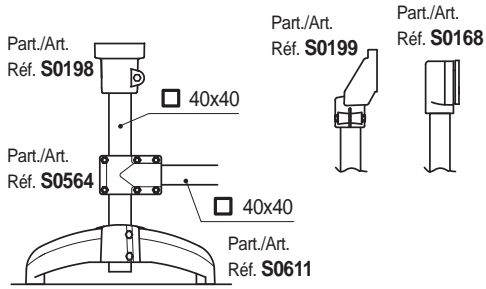
● On request: minimum quantity may apply. Consult our Customer Service for availability.

Item code for order = Part. + Code

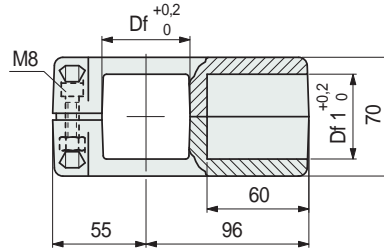
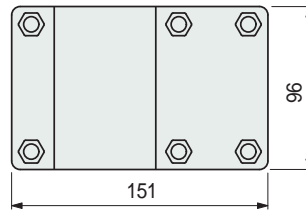
# Connecting Joints

## • Assembly of Part. S0564

Example of assembly with vertical tubes  $\varnothing$  40 mm



## ■ Connecting Joints



| Tube dimensions<br>mm | Bore Df<br>mm    | Bore Df1<br>mm   | Code   |
|-----------------------|------------------|------------------|--------|
| $\varnothing$ 38 x 38 | $\varnothing$ 38 | $\varnothing$ 38 | 698531 |
| $\varnothing$ 40 x 40 | $\varnothing$ 40 | $\varnothing$ 40 | 698541 |
| $\varnothing$ 45 x 45 | $\varnothing$ 45 | $\varnothing$ 45 | 607112 |
| $\varnothing$ 50 x 50 | $\varnothing$ 50 | $\varnothing$ 50 | 698551 |

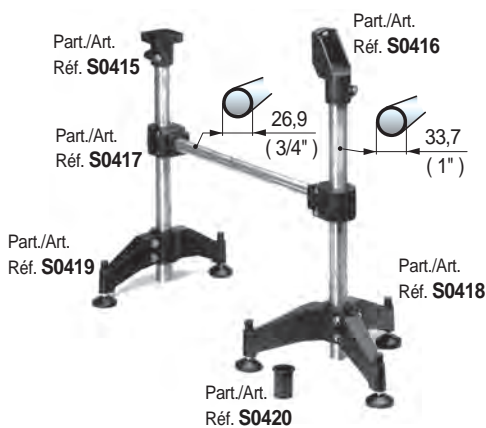
- Material: joint in reinforced polyamide PA FV (black). Tightening screws in austenitic stainless steel, nuts in nickel plated brass.
- Weight: 0,5 Kg.
- Max recommended tightening torque: 1,5 Kgm.
- Packaging: 8 pieces.

## Part. S0564

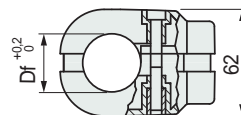
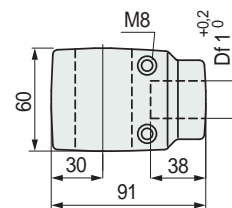


For square tubes

## • Assembly of Part. S0417



## ■ Connecting Joints



| Vertical tube dia.<br>mm | Horizontal tube dia.<br>mm | Bore dia. Df<br>mm | Bore dia. Df1<br>mm | Code  |
|--------------------------|----------------------------|--------------------|---------------------|-------|
| $\varnothing$ 33,7 (1")  | $\varnothing$ 26,9 (3/4")  | 33,7               | 26,9                | 69368 |

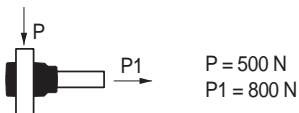
- Material: joint in reinforced polyamide PA FV (black). Tightening screws in austenitic stainless steel, tightening bushes in nickel plated brass.
- Weight: 0,21 Kg.
- Max recommended tightening torque: 2 Kgm.
- Packaging: 24 pieces.

## Part. S0417



For round tubes

## • Sliding load resistance



Tests performed at tightening torque: 2 Kgm

- Best Seller
- Standard
- On request: minimum quantity may apply. Consult our Customer Service for availability.

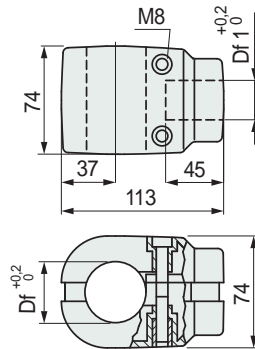
Item code for order = Part. + Code

Part. S0454



For round tubes

■ Connecting Joints



| Vertical tube dia. mm | Horizontal tube dia. mm | Bore dia. Df mm | Bore dia. Df1 mm | Code  |
|-----------------------|-------------------------|-----------------|------------------|-------|
| Ø 42,4 (1 1/4")       | Ø 33,7 (1")             | 42,4            | 33,7             | 69378 |

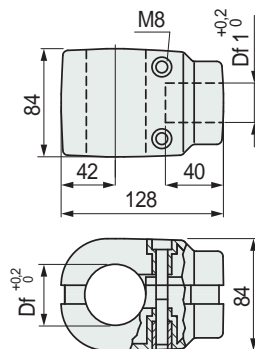
- Material: joint in reinforced polyamide PA FV (black). Tightening screws in austenitic stainless steel, tightening bushes in nickel plated brass.
- Weight: 0,36 Kg.
- Max recommended tightening torque: 2 Kgm.
- Packaging: 12 pieces.

Part. S0137



For round tubes

■ Connecting Joints



| Vertical tube dia. mm | Horizontal tube dia. mm | Bore dia. Df mm | Bore dia. Df1 mm | Code  |
|-----------------------|-------------------------|-----------------|------------------|-------|
| Ø 48,3 (1 1/2")       | Ø 42,4 (1 1/4")         | 48,3            | 42,4             | 66813 |
| Ø 60,3 (2")           | Ø 42,4 (1 1/4")         | 60,3            | 42,4             | 65020 |

- Material: joint in reinforced polyamide PA FV (black). Tightening screws in austenitic stainless steel, tightening bushes in nickel plated brass.
- Weight: 0,44 Kg.
- Max recommended tightening torque: 1 Kgm.
- Packaging: 8 pieces.

● Best Seller

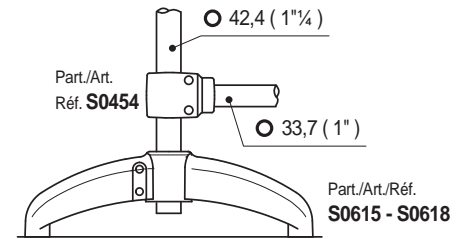
● Standard

● On request: minimum quantity may apply. Consult our Customer Service for availability.

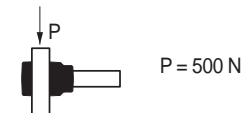
Item code for order = Part. + Code

• Assembly of Part. S0454

Example of assembly with vertical tubes Ø 42,4 mm



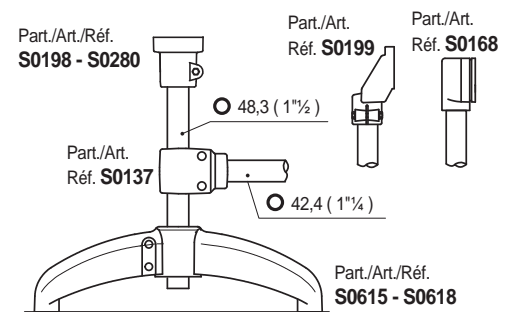
• Sliding load resistance



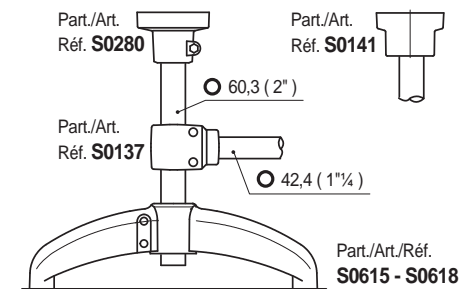
Tests performed at tightening torque: 2 Kgm

• Assembly of Part. S0137

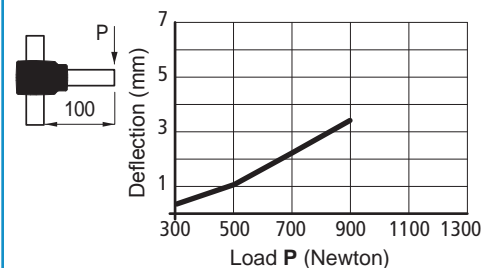
Example of assembly with vertical tubes Ø 48,3 mm



Example of assembly with vertical tubes Ø 60,3 mm



• Deflection



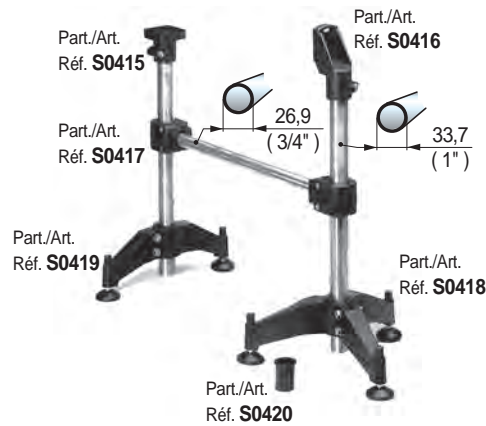
• Sliding load resistance



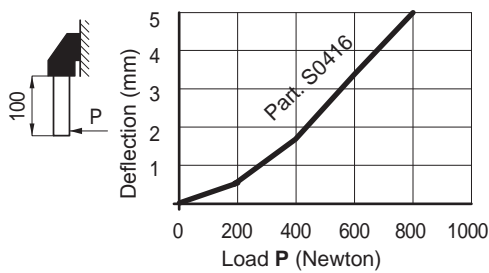
Tests performed at tightening torque: 1 Kgm

# Side Mounting top Brackets

## • Assembly of Part. S0416 - S0415



## • Deflection Part. S0416



## • Sliding load



Part. S0416 (P = 3300 N)

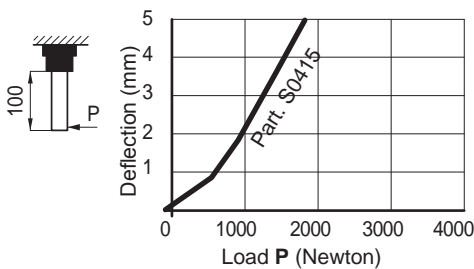
## • Breaking load



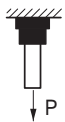
Part. S0416 (P = 21900 N)

Tests performed at tightening torque: 2 Kgm

## • Deflection Part. S0415



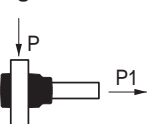
## • Sliding load



Part. S0415 (P = 1500 N)

Tests performed at tightening torque: 2 Kgm

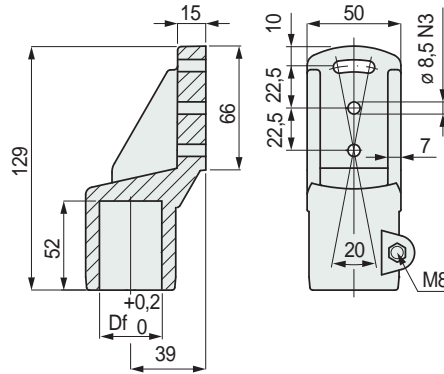
## • Sliding load



Part. S0415 (P = 500 N)  
(P1 = 800 N)

Tests performed at tightening torque: 2 Kgm

## ■ Side mounting top bracket



| Tube dia. mm | Bore dia. Df mm | Bolts material             | Code  |
|--------------|-----------------|----------------------------|-------|
| Ø 33,7 (1")  | 33,7            | Austenitic stainless steel | 69668 |

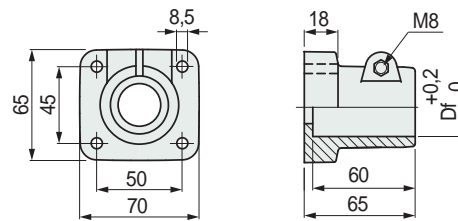
- Material: reinforced polyamide PA FV (black).
- Weight: 0,15 Kg.
- Max recommended tightening torque: 2 Kgm.
- Packaging: 24 pieces.

## Part. S0416



For round tubes

## ■ Bearing head



| Tube dia. mm | Bore dia. Df mm | Bolts material             | Code  |
|--------------|-----------------|----------------------------|-------|
| Ø 33,7 (1")  | 33,7            | Austenitic stainless steel | 69658 |

- Material: reinforced polyamide PA FV (black).
- Weight: 0,12 Kg.
- Max recommended tightening torque: 2 Kgm.
- Packaging: 24 pieces.

## Part. S0415



For round tubes

● Best Seller

● Standard

● On request: minimum quantity may apply. Consult our Customer Service for availability.

Item code for order = Part. + Code

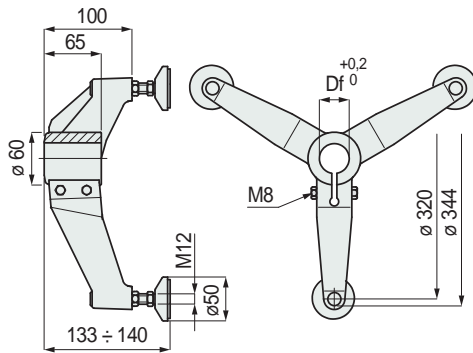


Part. S0418



For round tubes

Support base (tripod)



| Tube dia. mm | Bore dia. Df mm | Bolts material             | Code   |
|--------------|-----------------|----------------------------|--------|
| Ø 33,7 (1")  | 33,7            | Austenitic stainless steel | 614201 |

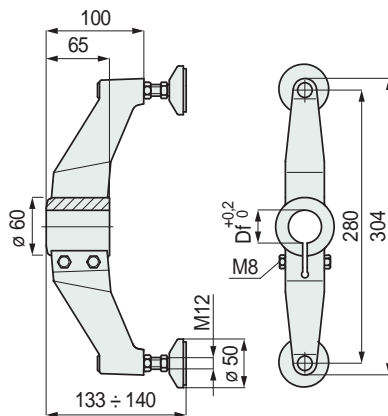
- Material: support base and foot plate in reinforced polyamide PA FV (black). Protective spindle cap in polyamide PA (black). Spindle in austenitic stainless steel. Nickel plated brass threaded bushings. Anti-slip disc in black NBR rubber (70 shore).
- Weight: 0,81 Kg.
- Max recommended tightening torque: 2 Kgm.
- Packaging: 8 pieces.

Part. S0419



For round tubes

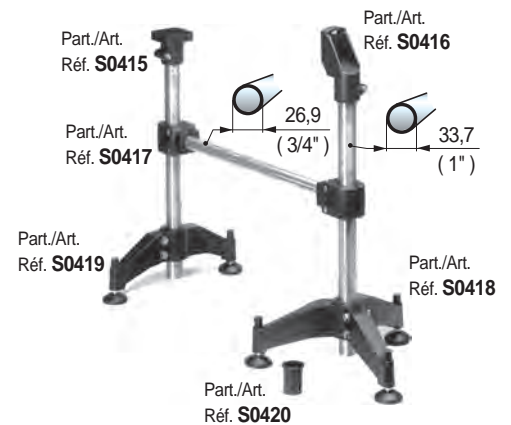
Support base (bipod)



| Tube dia. mm | Bore dia. Df mm | Bolts material             | Code   |
|--------------|-----------------|----------------------------|--------|
| Ø 33,7 (1")  | 33,7            | Austenitic stainless steel | 614211 |

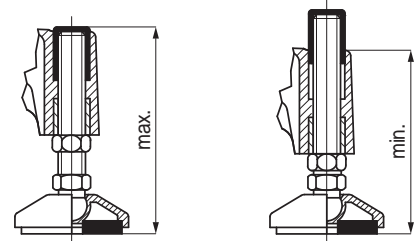
- Material: support base and foot plate in reinforced polyamide PA FV (black). Protective spindle cap in polyamide PA (black). Spindle in austenitic stainless steel. Nickel plated brass threaded bushings. Anti-slip disc in black NBR rubber (70 shore).
- Weight: 0,57 Kg.
- Max recommended tightening torque: 2 Kgm.
- Packaging: 12 pieces.

Assembly of Part. S0418 - S0419

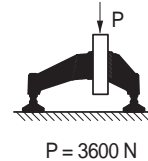


Protective cap

prevents entry of dirt and protects thread. During adjustment of the foot, the protective cap follows the movement of the spindle.

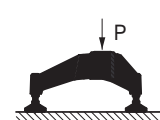


Sliding load resistance Part. S0418



P = 3600 N

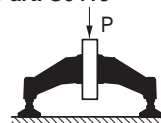
Max applicable load Part. S0418



P = 7000 N

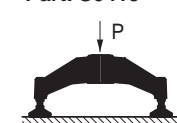
Tests performed at tightening torque: 2 Kgm

Sliding load resistance Part. S0419



P = 3600 N

Max applicable load Part. S0419



P = 7000 N

Tests performed at tightening torque: 2 Kgm

Best Seller

Standard

On request: minimum quantity may apply. Consult our Customer Service for availability.

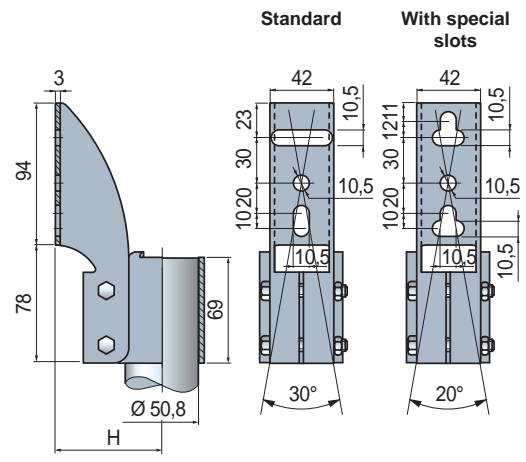
Item code for order = Part. + Code

# Support Heads

Part. S0685



■ Side mounting top bracket



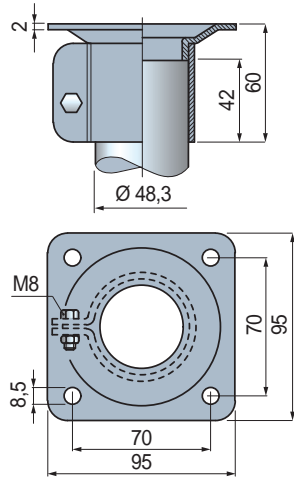
| Tube dia. mm | Code     |                    | H mm | Weight kg |
|--------------|----------|--------------------|------|-----------|
|              | Standard | With special slots |      |           |
| 48,3 (1 1/2) | 684502   | 610223             | 72   | 0,70      |

- Material: top bracket and bolts in austenitic stainless steel.
- Packaging: 4 pieces.

Part. S0690



■ Bearing head

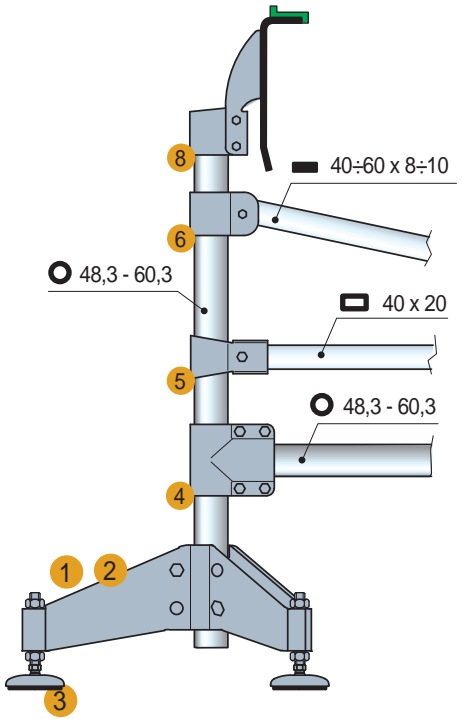


| Tube dia. mm | Code   | Weight kg |
|--------------|--------|-----------|
| 48,3 (1 1/2) | 684572 | 0,33      |

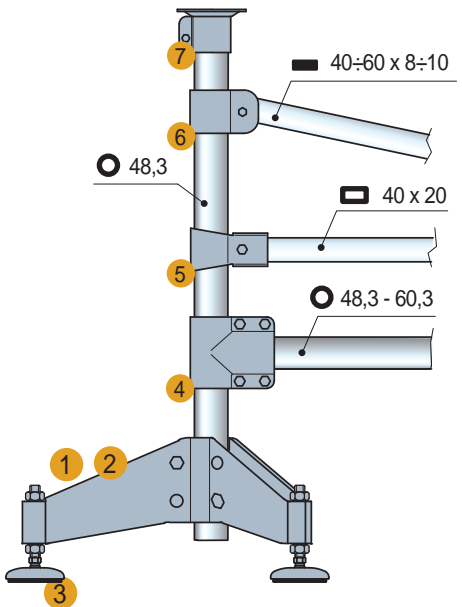
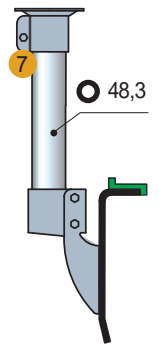
- Material: top bracket and bolts in austenitic stainless steel.
- Packaging: 4 pieces.

- Best Seller
- Standard
- On request: minimum quantity may apply. Consult our Customer Service for availability.

Item code for order = Part. + Code

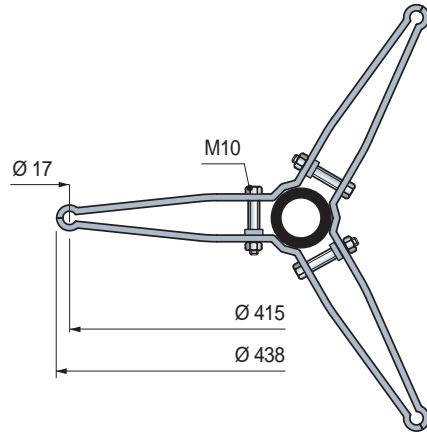
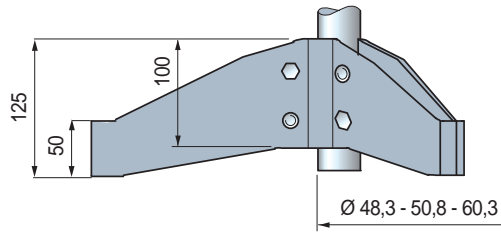


- 1 - Part. S0706
- 2 - Part. S0707
- 3 - Part. S0623 - S0627
- 4 - Part. S0686
- 5 - Part. S0688
- 6 - Part. S0689
- 7 - Part. S0690
- 8 - Part. S0685



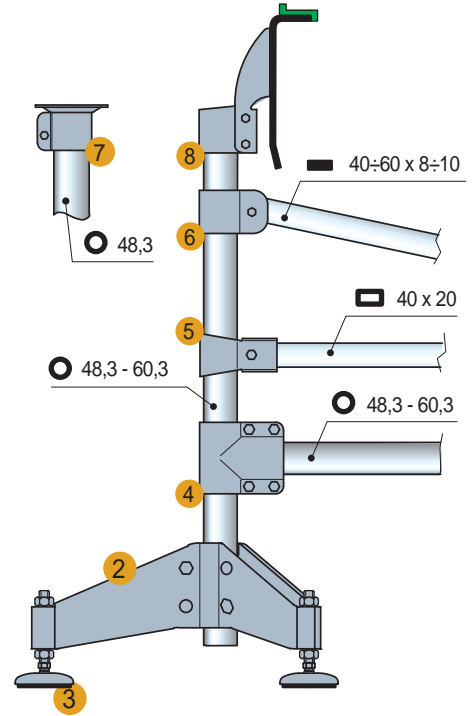
Part. S0707

■ Support base (tripod)



| Tube dia. mm | Code    | Weight kg |
|--------------|---------|-----------|
| 48,3 (1"1/2) | 685062N |           |
| 50,8         | 609963N | 2,61      |
| 60,3 (2")    | 685862N |           |

- Material: top bracket and bolts in austenitic stainless steel.
- Packaging: 1 pieces.



- 1 - Part. S0706
- 2 - Part. S0707
- 3 - Part. S0623 - S0627
- 4 - Part. S0686
- 5 - Part. S0688
- 6 - Part. S0689
- 7 - Part. S0690
- 8 - Part. S0685

● Best Seller

● Standard

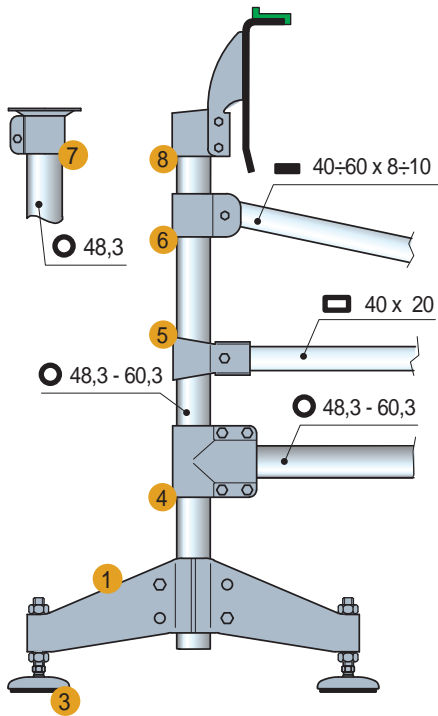
● On request: minimum quantity may apply. Consult our Customer Service for availability.

Item code for order = Part. + Code

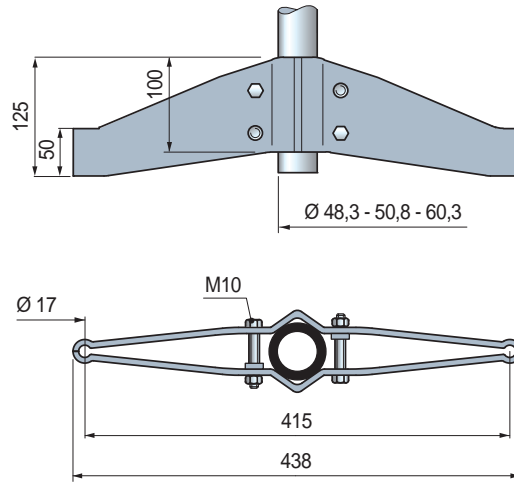
# Support Bases

Part. S0706

■ Support base (bipod)



- 1 - Part. S0706
- 2 - Part. S0707
- 3 - Part. S0623 - S0627
- 4 - Part. S0686
- 5 - Part. S0688
- 6 - Part. S0689
- 7 - Part. S0690
- 8 - Part. S0685



| Tube dia. mm | Code    | Weight kg |
|--------------|---------|-----------|
| 48,3 (1"1/2) | 685052N |           |
| 50,8         | 609953N | 1,88      |
| 60,3 (2")    | 685852N |           |

- Material: top bracket and bolts in austenitic stainless steel.
- Packaging: 2 pieces.

- Best Seller
- Standard
- On request: minimum quantity may apply. Consult our Customer Service for availability.

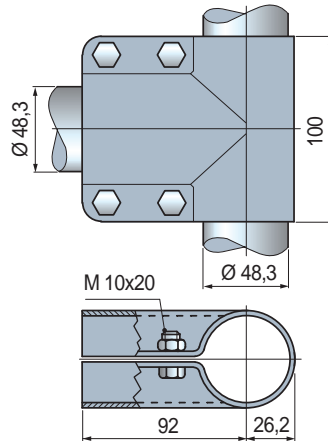
Item code for order = Part. + Code

Part. S0686



For tubes Ø 48,3 mm

■ Connecting Joints



| Tube dia. mm  | State of supply | Code          | Weight kg |
|---------------|-----------------|---------------|-----------|
| 48,3 (1 1/2") | With bolts      | <b>684512</b> | 0,64      |
|               | Without bolts   | <b>684522</b> |           |

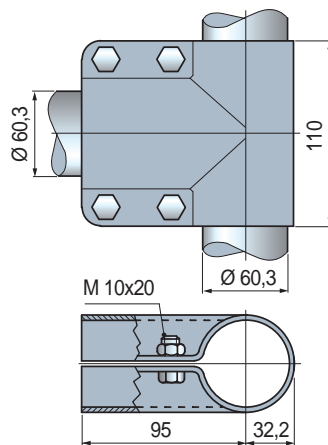
- Material: joint and bolts in austenitic stainless steel.
- Packaging: 4 pieces.

Part. S0687



For tubes Ø 60,3 mm

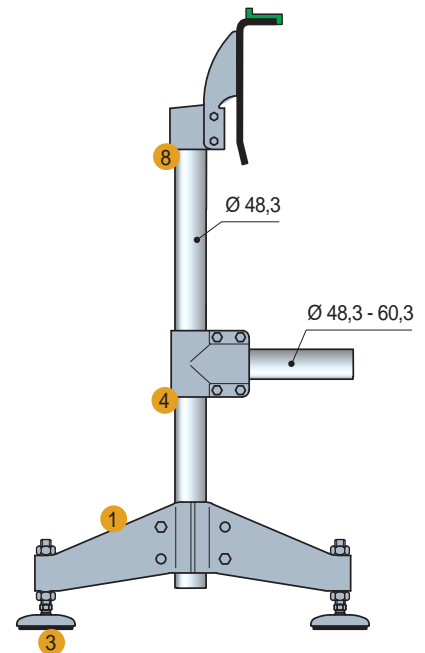
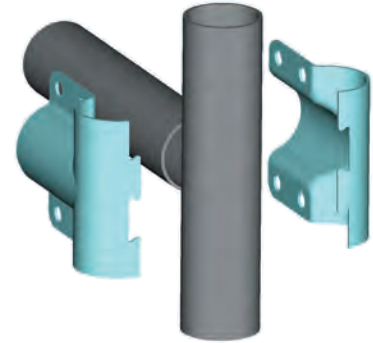
■ Connecting Joints



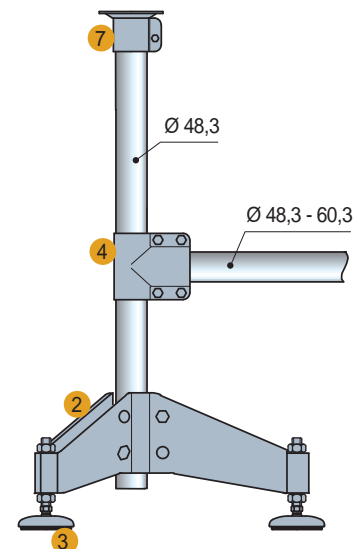
| Tube dia. mm | State of supply | Code          | Weight kg |
|--------------|-----------------|---------------|-----------|
| 60,3 (2")    | With bolts      | <b>684532</b> | 0,70      |
|              | Without bolts   | <b>684542</b> |           |

- Material: joint and bolts in austenitic stainless steel.
- Packaging: 4 pieces.

• Assembly Part. S0686 - S0687



- 1 - Part. S0706
- 2 - Part. S0707
- 3 - Part. S0623 - S0627
- 4 - Part. S0686
- 7 - Part. S0690
- 8 - Part. S0685



● Best Seller

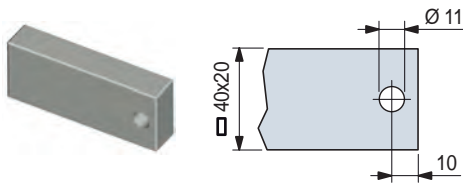
● Standard

● On request: minimum quantity may apply. Consult our Customer Service for availability.

Item code for order = Part. + Code

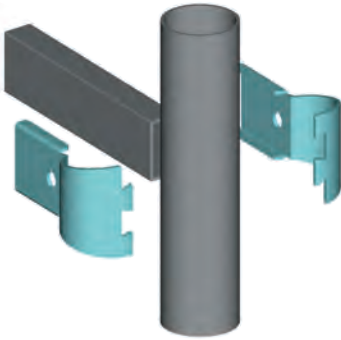
# Connecting Joints

• Drilling template for rectangular tubes.

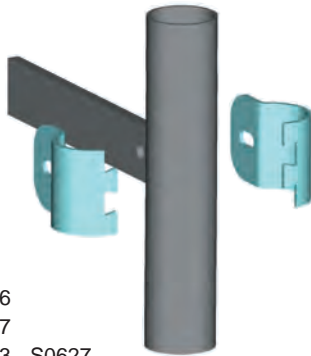


• Assembly

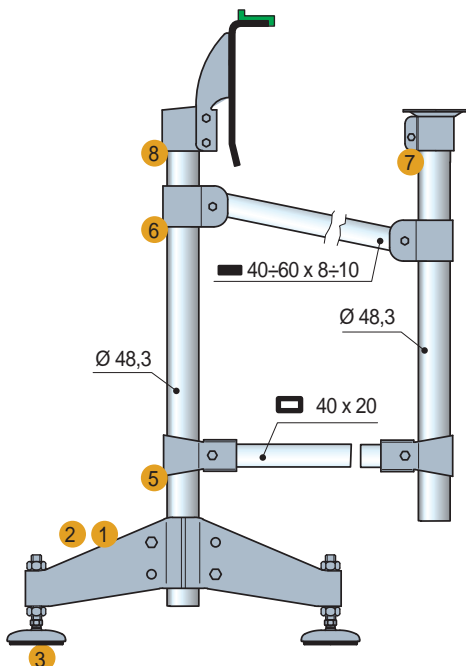
Part. S0688



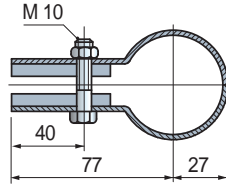
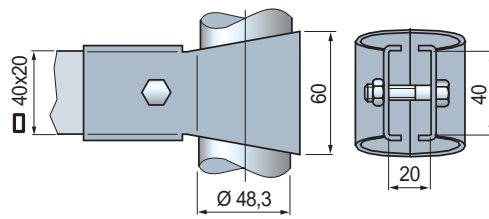
Part. S0689



- 1 - Part. S0706
- 2 - Part. S0707
- 3 - Part. S0623 - S0627
- 5 - Part. S0688
- 6 - Part. S0689
- 7 - Part. S0690
- 8 - Part. S0685



## Connecting Joints



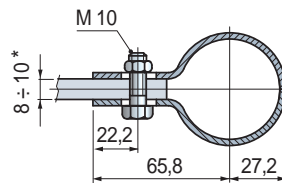
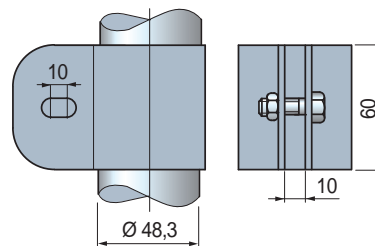
| Tube dia. mm | Rectangular tube mm | Code   | Weight kg |
|--------------|---------------------|--------|-----------|
| 48,3 (1"1/2) | 40 x 20             | 684552 | 0,35      |

- Material: joint and bolts in austenitic stainless steel.
- Packaging: 8 pieces.

Part. S0688



## Connecting Joints



\*= Can be used with plate thickness 8 ÷ 10 mm.

| Tube dia. mm | Code   | Weight kg |
|--------------|--------|-----------|
| 48,3 (1"1/2) | 684562 | 0,37      |
| 50,8         | 609943 |           |

- Material: joint and bolts in austenitic stainless steel.
- Packaging: 8 pieces.

Part. S0689



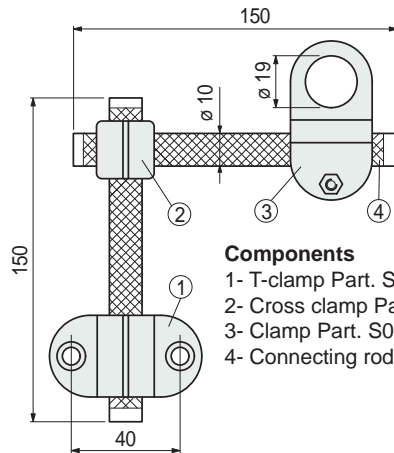
- Best Seller
- Standard
- On request: minimum quantity may apply. Consult our Customer Service for availability.

Item code for order = Part. + Code

Part. S0342



■ Assembly kit for photocells or sensors



- Components**  
 1- T-clamp Part. S0339  
 2- Cross clamp Part. S0340  
 3- Clamp Part. S0341  
 4- Connecting rod

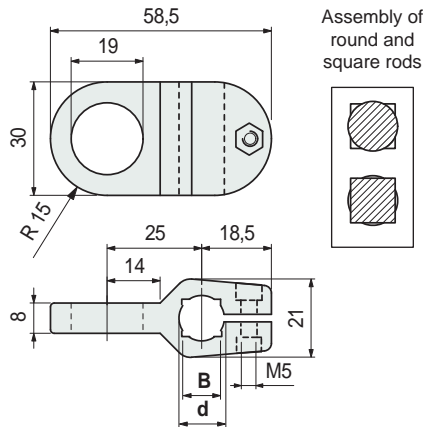
| Code    | Weight<br>kg |
|---------|--------------|
| 605153N | 0,14         |

- Material: clamps in reinforced polyamide PA FV (black), tightening bolt and connecting rods in austenitic stainless steel.
- Max recommended tightening torque : 0,5 Kgm.
- Packaging: 50 Kit.

Part. S0341



■ Clamp for photocells or sensors



| Tightening<br>bolt material   | Rod dia. |                          | Code   | Weight<br>kg |
|-------------------------------|----------|--------------------------|--------|--------------|
|                               | d<br>mm  | Square<br>rod<br>B<br>mm |        |              |
| Austenitic<br>stainless steel | 10       | 8                        | 68383  | 0,02         |
|                               | 12       | 10                       | 68395  |              |
|                               | 14       | 12                       | 67385  |              |
| Zinc plated steel             | 10       | 8                        | 627061 |              |
|                               | 12       | 10                       | 627071 |              |
|                               | 14       | 12                       | 627081 |              |

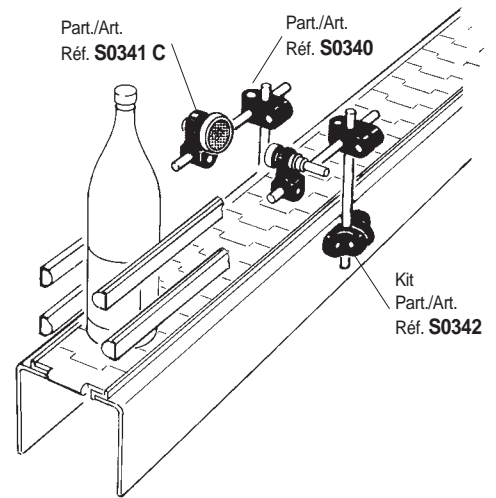
- Material: clamp in reinforced polyamide PA FV (black).
- Max recommended tightening torque: 0,5 Kgm.
- Packaging: 50 pieces.

- Best Seller
- Standard
- On request: minimum quantity may apply. Consult our Customer Service for availability.

Item code for order = Part. + Code

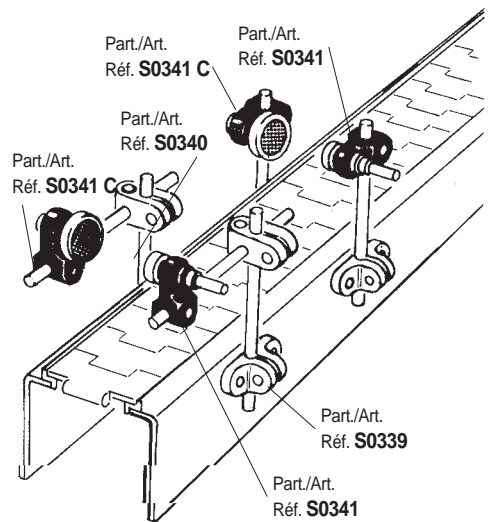
• Assembly Part. S0342

Dia. 18 mm photocells or sensors



• Assembly Part. S0341

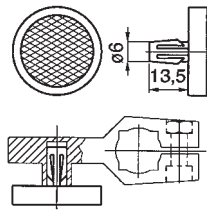
Dia. 18 mm photocells or sensors



• **Assembly Part. S0341 C**

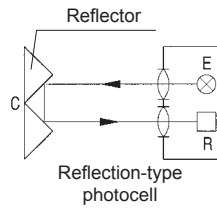
Types of reflectors that can be mounted:

Reflector with clip-on fixing pin: press-fit between clip and clamp hole.



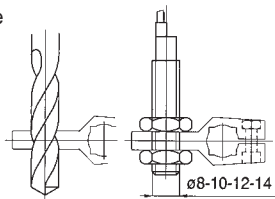
• **Operating principle**

The beam of light emitted by source E is reflected by reflector C and conveyed to receiver R. Reading is performed through interruption of the beam of light.



• **Assembly of photocells or sensors**

The clamp can also be drilled to hold dia. 8-10-12-14 mm photocells or sensors.

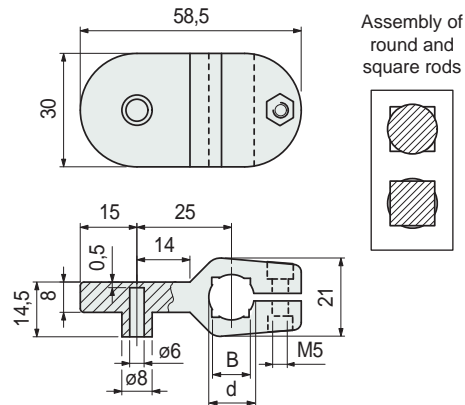


• **Suitable reflector type**

Imos

■ **Clamp for reflectors**

Part. S0341C



| Tightening bolt material   | Rod dia. d mm | Square rod B mm | Code    | Weight kg |
|----------------------------|---------------|-----------------|---------|-----------|
|                            |               |                 |         |           |
| Austenitic stainless steel | 10            | 8               | 6721500 | 0,02      |
|                            | 12            | 10              | 6912500 |           |
|                            | 14            | 12              | 6913500 |           |
| Zinc plated steel          | 10            | 8               | 6270910 |           |
|                            | 12            | 10              | 6271010 |           |
|                            | 14            | 12              | 6271110 |           |

- Material: clamp in reinforced polyamide PA FV (black).
- Max recommended tightening torque: 0,5 Kgm.
- Packaging: 50 pieces.

- **Best Seller**
- **Standard**
- **On request:** minimum quantity may apply. Consult our Customer Service for availability.

Item code for order = Part. + Code

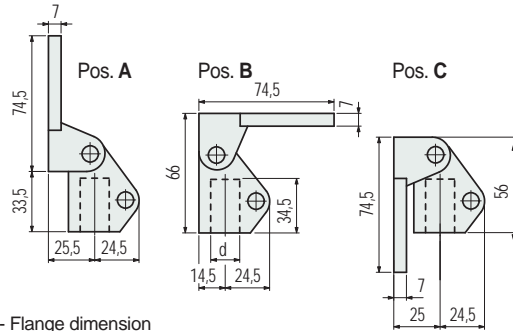


Part. S0372

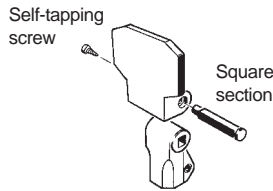
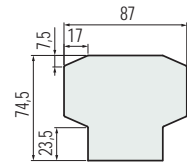


• Universal clamp for photocells or reflectors

- Can be fitted in positions A - B - C



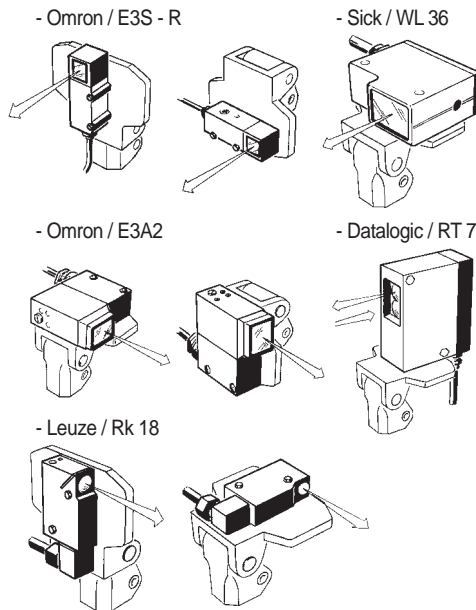
- Flange dimension



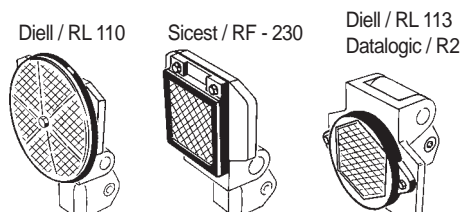
| Rod dia.<br>d<br>mm | Code  | Weight<br>kg |
|---------------------|-------|--------------|
| 14                  | 61786 | 0,12         |
| 15                  | 61796 |              |
| 16                  | 61806 |              |
| 18                  | 61816 |              |
| 20                  | 61826 |              |

- Material: clamp in reinforced polyamide PA FV (black), tightening bolt in austenitic stainless steel.
- State of supply: already assembled in position A
- Max recommended tightening torque: 1,5 Kgm.
- Packaging: 50 pieces.

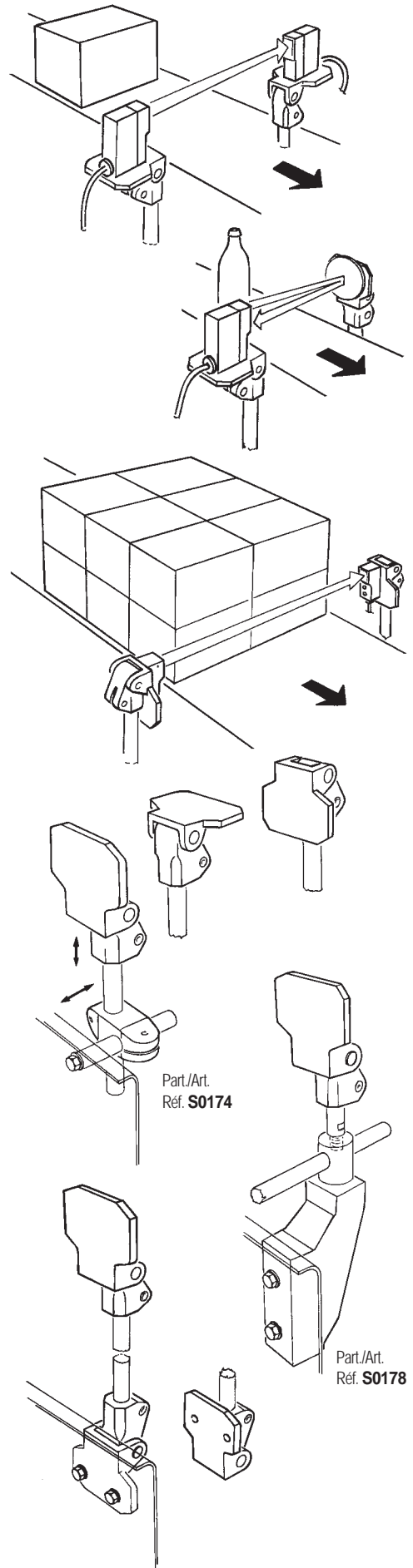
• Suitable photocell types



• Suitable reflector types



• Assembly Part. S0372



- Best Seller
- Standard
- On request: minimum quantity may apply. Consult our Customer Service for availability.

Item code for order = Part. + Code

**Use**

Contact lever ideal to mechanically check the presence of products. Works in conjunction with photocells or magnetic sensor (proximity sensor).

**Versions**

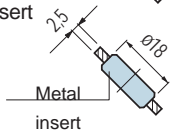
The control contact lever is supplied in three versions according to the type of sensor to be used.

1) With hole (no insert).



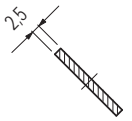
Sez A-A

2) With hole and metal insert (for magnetic sensor).



Sez A-A

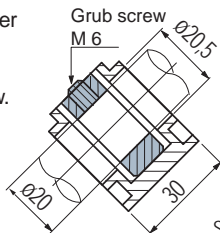
3) Without hole



Sez A-A

**Assembly on the shaft.**

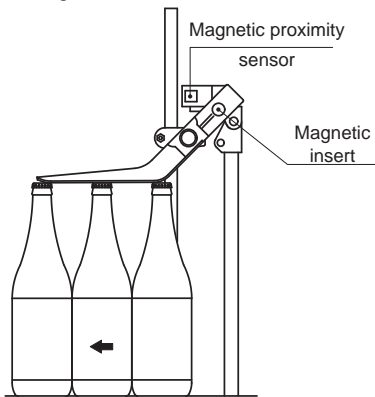
The control contact lever can be axially fixed on the shaft with a metal collar and a grub screw.



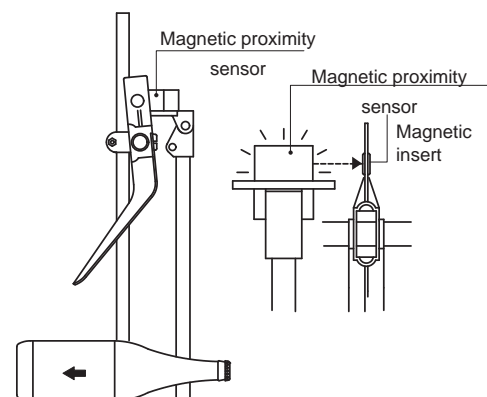
Sez B-B

**Assembly of Part. S0518 (with insert for magnetic sensor)**

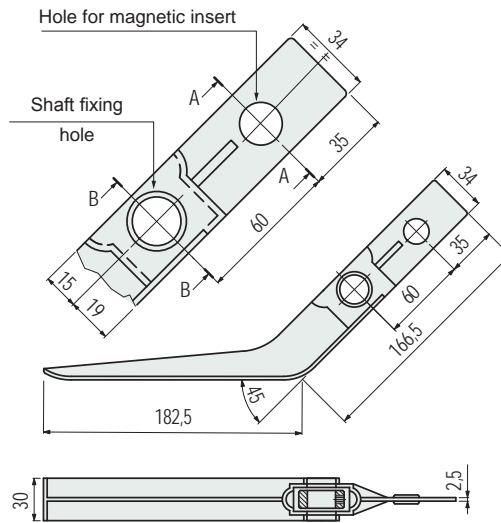
In regular conditions the control contact lever is high and magnetic proximity sensor does not detect the presence of magnetic insert.



In case of problem (example bottle downing) the control contact lever lowers and magnetic sensor detects the presence of magnetic insert and stops the conveyor.



**Control contact lever**



| Version                    | Code    | Weight<br>kg |
|----------------------------|---------|--------------|
| With hole (no insert)      | 642941N |              |
| With hole and metal insert | 642951N | 0,1          |
| Without hole               | 696021N |              |

- Material: lever in polypropylene (black), insert (for magnetic sensor) in ferritic stainless steel, locking spacer (for shaft fixing) in zinc plated steel.
- Packaging: 50 pieces.

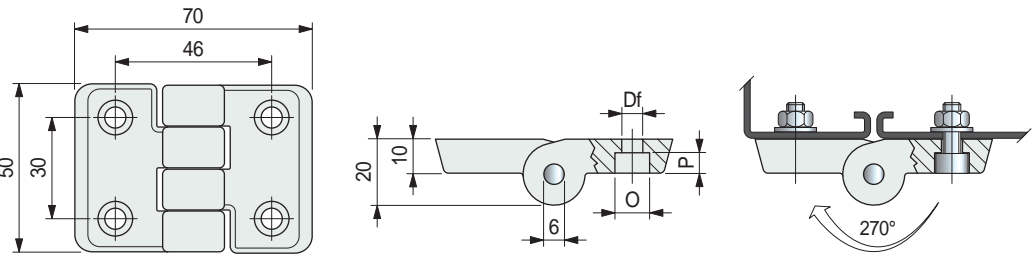
- Best Seller
- Standard
- On request: minimum quantity may apply. Consult our Customer Service for availability.

Item code for order = Part. + Code

Part. S0337



■ 270° hinge



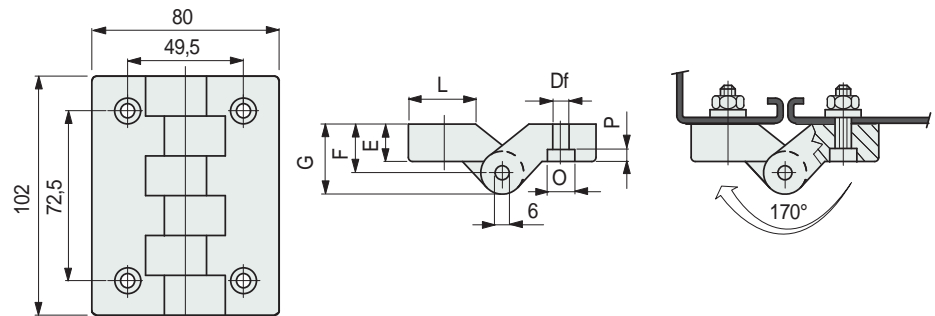
| Fixing screws dia. | Code         | ∅ Df mm | O mm | P mm | Weight gr | Packaging No. of pieces |
|--------------------|--------------|---------|------|------|-----------|-------------------------|
| M 6                | <b>67023</b> | 6,5     | 10,5 | 6    | 55        | 24                      |
| M 8                | <b>60334</b> | 8,5     | 13,5 | 4    |           |                         |

- Material: hinge in reinforced polyamide PA FV (black). Pin in ferritic stainless steel.  
 - Max recommended tightening torque: 0,5 Kgm.

Part. S0260



■ 170° hinge



| E mm | Fixing screws dia. | Code         | ∅ Df mm | F mm | G mm | O mm | P mm | L mm | Weight gr | Packaging No. of pieces |
|------|--------------------|--------------|---------|------|------|------|------|------|-----------|-------------------------|
| 11,5 | M 6                | <b>65021</b> | 6,5     | 14,5 | 23,5 | 10,5 | 6    | 35   | 110       | 20                      |
|      | M 8                | <b>66546</b> | 8,5     |      |      | 13,5 | 8    |      |           |                         |
| 18   | M 6                | <b>65011</b> | 6,5     | 21   | 30   | 10,5 | 6    | 22   | 130       |                         |
|      | M 8                | <b>66556</b> | 8,5     |      |      | 13,3 | 8    |      |           |                         |

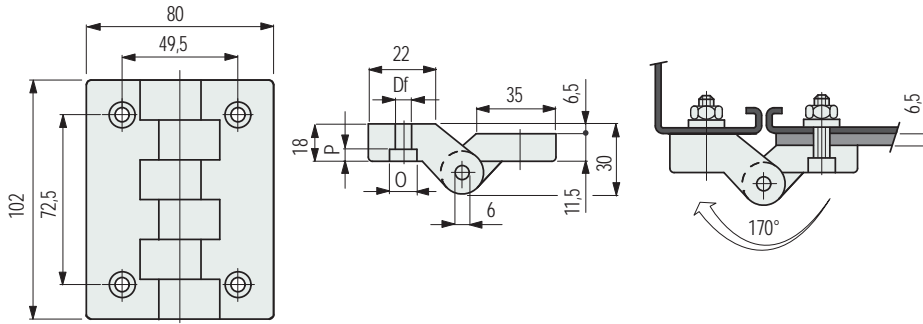
- Material: hinge in polyamide PA (black). Pin in austenitic stainless steel.  
 - Max recommended tightening torque: 0,5 Kgm (with M6 screws), 1 Kgm (with M8 screws).

- Best Seller
- Standard
- On request: minimum quantity may apply. Consult our Customer Service for availability.

Item code for order = Part. + Code

■ 170° hinge

Part. S0260



| Fixing screws dia. | Code  | ø Df mm | O mm | P mm | Weight gr | Packaging No. of pieces |
|--------------------|-------|---------|------|------|-----------|-------------------------|
| M 6                | 65031 | 6,5     | 10,5 | 6    | 120       | 20                      |
| M 8                | 66566 | 8,5     | 13,5 | 4    |           |                         |

- Material: hinge in polyamide PA (black). Pin in austenitic stainless steel.
- Max recommended tightening torque: 0,5 Kgm (with M6 screws), 1 Kgm (with M8 screws).

For misaligned mounting surfaces

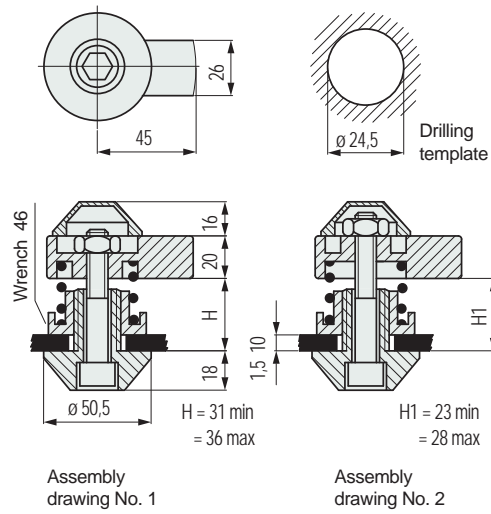
- Best Seller
- Standard
- On request: minimum quantity may apply. Consult our Customer Service for availability.

Item code for order = Part. + Code

Part. S0272



Lock



| Code  | Weight<br>kg |
|-------|--------------|
| 66771 | 0,2          |

- Material: body in reinforced polyamide PA FV (black), bolts, nuts and spring in austenitic stainless steel.
- Use: closure of doors in machines for foodindustry (washing, bottling, etc).
- Packaging: 10 pieces.
- Operation with hexagonal bar 10 key.
- Key turn: 360 right or left.
- Assembly instructions:  
Assembly lock as shown in assembly diagram 1, when the size X (Fig. 1) is suitable for assembly distance between 31 ÷ 36 mm. When X (Fig. 1) is between 23 ÷ 28 mm, follow assembly type 2.

Assembly Part. S0272

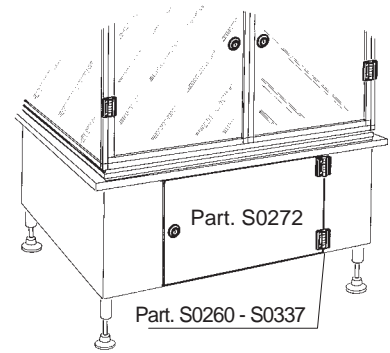
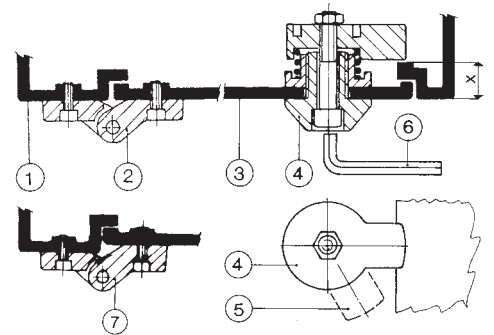


Fig. 1



- 1 - Machine structure.
- 2 - Hinge Part. S0260 - S0337.
- 3 - Door.
- 4 - Lock Part. S0272 (in closed position).
- 5 - Lock Part. S0272 (in open position).
- 6 - Lock key (with exagonal 10 wrench).
- 7 - Hinge Part. S0260 (for misaligned mounting surfaces).

Best Seller

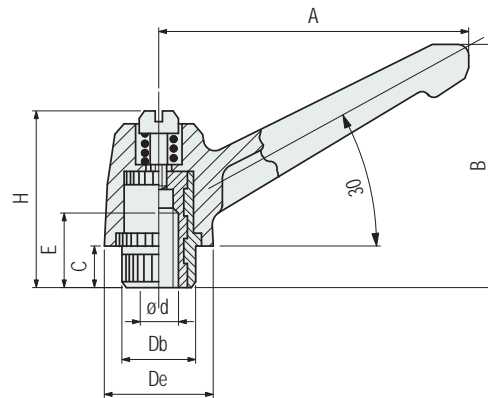
Standard

On request: minimum quantity may apply. Consult our Customer Service for availability.

Item code for order = Part. + Code

## Ratchet handle clamping

Part. S0302

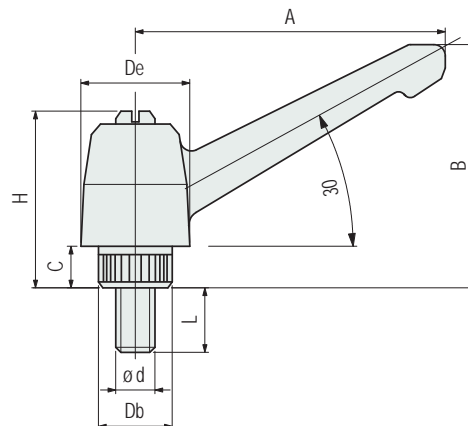


| Bore dia.<br>d | A<br>mm | B<br>mm | C<br>mm | E<br>mm | H<br>mm | Db<br>mm | De<br>mm | Code         |
|----------------|---------|---------|---------|---------|---------|----------|----------|--------------|
| <b>M6</b>      | 40      | 40      | 7       | 12      | 32      | 11,5     | 16       | <b>60902</b> |
| <b>M8</b>      | 55      | 51      | 10      | 14      | 37      | 15       | 20       | <b>60862</b> |
| <b>M10</b>     | 79      | 67      | 11      | 20      | 48      | 20       | 28       | <b>60962</b> |

- Material: handle in reinforced polyamide in PA FV (black), Threaded insert in nickel plated brass.
- Packaging:  
with d = M6 and M8 (100 pieces).  
with d = M10 (50 pieces).

## Ratchet handle clamping

Part. S0303



| Bore dia.<br>d | A<br>mm | B<br>mm | C<br>mm | L<br>mm | H<br>mm | Db<br>mm | De<br>mm | Code          |
|----------------|---------|---------|---------|---------|---------|----------|----------|---------------|
| <b>M5</b>      | 40      | 40      | 7       | 20      | 32      | 11,5     | 16       | <b>646742</b> |
| <b>M6</b>      | 40      | 40      | 7       | 20      | 32      | 11,5     | 16       | <b>60922</b>  |
| <b>M8</b>      | 55      | 51      | 10      | 25      | 37      | 15       | 20       | <b>60872</b>  |
| <b>M10</b>     | 79      | 67      | 11      | 30      | 48      | 20       | 28       | <b>60942</b>  |

- Material: handle in reinforced polyamide in PA FV (black), spindle in austenitic stainless steel.
- Packaging:  
with d = M5, M6 and M8 (100 pieces).  
with d = M10 (50 pieces).

● Best Seller

● Standard

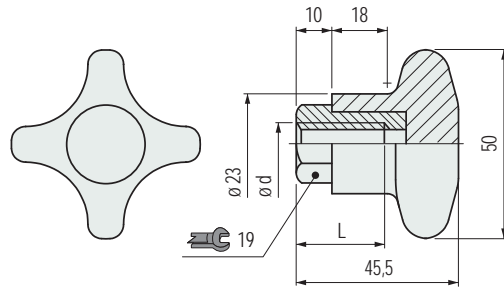
● On request: minimum quantity may apply. Consult our Customer Service for availability.

Item code for order = Part. + Code

Part. S0182



■ Tightening knob



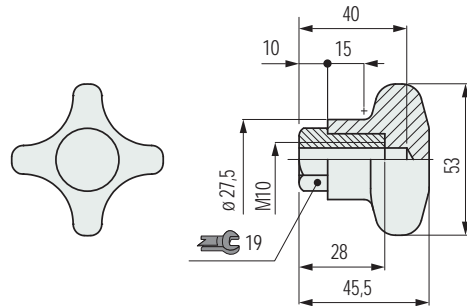
| Thread dia.<br>d                                     | Code    | L<br>mm |
|--|---------|---------|
| <b>Threaded insert in austenitic stainless steel</b> |         |         |
| M6   | 645111N |         |
| M8   | 649961N |         |
| M10  | 649971N | 23      |
| M12  | 645141N |         |
| <b>Threaded insert in nickel plated brass</b>        |         |         |
| M10  | 54911   | 28      |

- Material: knob in reinforced polyamide PA FV (black), threaded insert in nickel plated brass.
- Max recommended tightening torque: 2,5 Kgm (manual tightening), 4 Kgm (tightening with wrench). For high tightening torques apply a 19 mm wrench to the hexagon of the insert.
- Packaging: 50 pieces.

Part. S0183



■ Tightening knob



| Code  |
|-------|
| 54921 |

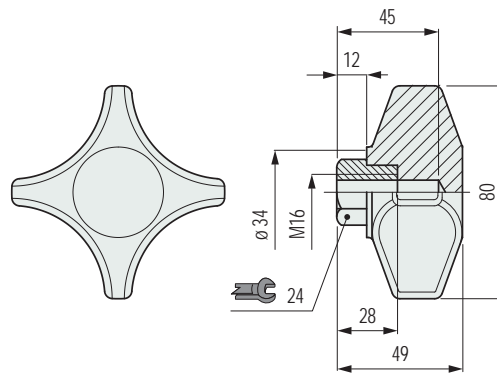
- Material: knob in reinforced polyamide PA FV (black), threaded insert in nickel plated brass.
- Max recommended tightening torque: 2,5 Kgm (manual tightening), 4 Kgm (tightening with wrench). For high tightening torques apply a 19 mm wrench to the hexagon of the insert.
- Packaging: 50 pieces.

- Best Seller
- Standard
- On request: minimum quantity may apply. Consult our Customer Service for availability.

Item code for order = Part. + Code

## ■ Tightening knob

Part. S0625



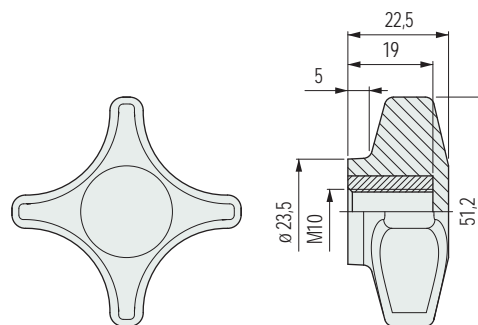
Code

**641372**

- Material: knob in reinforced polyamide PA FV (black), threaded insert in nickel plated brass.
- Max recommended tightening torque: 3 Kgm (manual tightening), 5 Kgm (tightening with wrench).  
For high tightening torques apply a 24 mm wrench to the hexagon of the insert.
- Packaging: 50 pieces.

## ■ Tightening knob

Part. S0775



Code

**612763**

- Material: knob in reinforced polyamide PA FV (black), threaded insert in nickel plated brass.
- Max recommended tightening torque: 2,5 Kgm (manual tightening).
- Packaging: 50 pieces.



- Best Seller
- Standard
- On request: minimum quantity may apply. Consult our Customer Service for availability.

Item code for order = Part. + Code

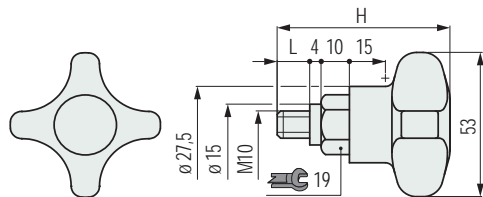


Part. S0185

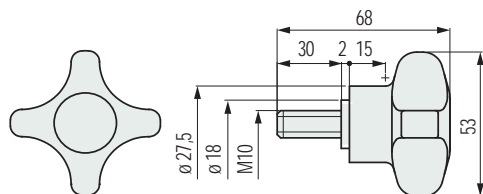


■ Tightening knob

Version with hexagonal key



Version without hexagonal key



| Material knob                               | L<br>mm | Code   | H<br>mm |
|---|---------|--------|---------|
| <b>Version with hexagonal key</b>           |         |        |         |
| Reinforced Polyamide<br>PA FV (black)       | 11      | 53081  | 61      |
|   | 30      | 683832 | 80      |
| Reinforced<br>Polypropylene<br>PP FV (grey) | 11      | 683902 | 61      |
| <b>Version without hexagonal key</b>        |         |        |         |
| Reinforced Polyamide<br>PA FV (black)       | -       | 698942 | -       |

- Use: version with knob in reinforced Polypropylene PP FV (grey), gives a better resistance to chemical agents.
- Material: knob in reinforced polyamide PA FV (black), (threaded insert in nickel plated brass).  
With knob in reinforced Polypropylene PP FV (threaded insert in austenitic stainless steel).
- Max recommended tightening torque: 2,5 Kgm (manual tightening), 4 Kgm (tightening with wrench).  
For high tightening torques apply a 19 mm wrench to the hexagon of the insert.
- Packaging: 50 pieces.

● Best Seller

● Standard

● On request: minimum quantity may apply. Consult our Customer Service for availability.

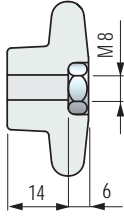
Item code for order = Part. + Code

# Tightening Elements

• **Example of application** of version with hexagonal seat

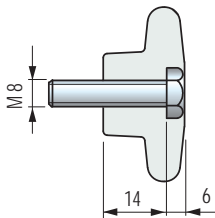
**Use with nut**

Apply a standard hexagonal M 8 UNI 5588, DIN 934.



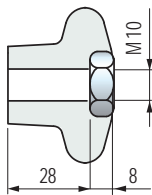
**Use with screw**

Apply an hexagonal head screw M 8 UNI 5739, DIN 933, ISO 4017.



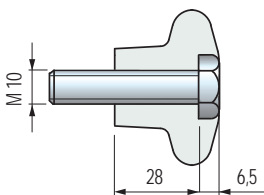
**Use with nut**

Apply a standard hexagonal M 10 UNI 5588, DIN 934.



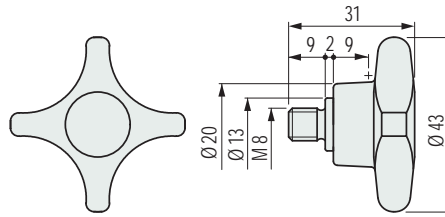
**Use with screw**

Apply an hexagonal head screw M 10 UNI 5739, DIN 933, ISO 4017.

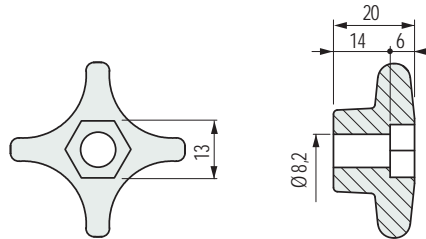


■ **Tightening knob**

Version with threaded insert



Version with hexagonal seat



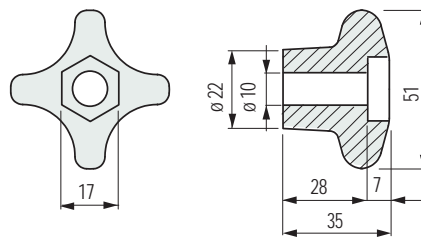
Version

Code

|                      |        |
|----------------------|--------|
| With threaded insert | 676392 |
| With hexagonal seat  | 676402 |

- Supplied in reinforced Polypropylene PP FV, gives a better resistance to chemical agents.
- Material: knob in reinforced Polypropylene PP FV (grey), threadedinsert in austenitic stainless steel.
- Max admitted tightening torque: 1 Kgm (version with threaded insert).
- Packaging: 50 pieces.

■ **Tightening knob**



Code

Weight  
kg

**Reinforced Polyamide PA FV (black)**

|        |      |
|--------|------|
| 693552 | 0,02 |
|--------|------|

**Reinforced Polypropylene PP FV (grey)**

|        |      |
|--------|------|
| 693562 | 0,02 |
|--------|------|

- Economical version (supplied without tightening elements).
- The version in reinforced Polypropylene PP FV, gives a better resistance to chemical agents.
- Packaging: 50 pieces.

Part. S0671



Part. S0734



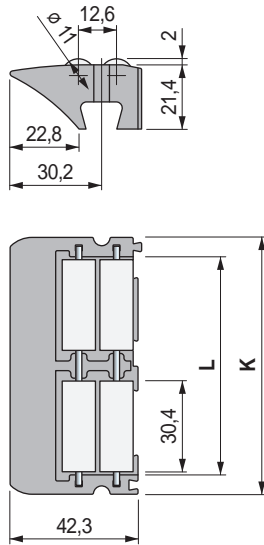
- **Best Seller**
- **Standard**
- **On request:** minimum quantity may apply. Consult our Customer Service for availability.

Item code for order = Part. + Code

Part. S0846



■ End transfer module (with lip)



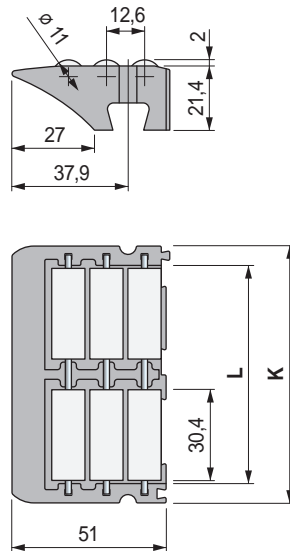
| K<br>mm | L<br>mm | Code   | Weight<br>kg |
|---------|---------|--------|--------------|
| 85      | 72      | 645573 | 0,046        |
| 115     | 102     | 645583 | 0,063        |

- Material: frame in acetal Rex-HP™ (dark grey) very low coefficient of friction, rollers in acetal POM (white). Roller pins in austenitic stainless steel.
- Modularity: snap-on assembly with Part. S0847 - S0848 - S0849.
- Packaging: 10 pieces.

Part. S0847



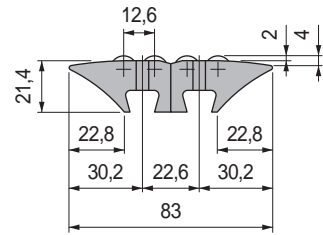
■ End transfer module (with lip)



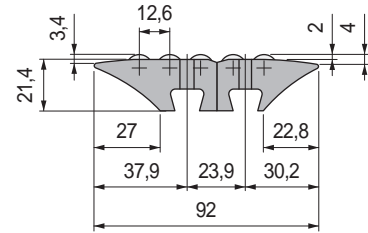
| K<br>mm | L<br>mm | Code   | Weight<br>kg |
|---------|---------|--------|--------------|
| 85      | 72      | 645593 | 0,062        |
| 115     | 102     | 645603 | 0,085        |

- Material: frame in acetal Rex-HP™ (dark grey) very low coefficient of friction, rollers in acetal POM (white). Roller pins in austenitic stainless steel.
- Modularity: snap-on assembly with Part. S0846 - S0848 - S0849.
- Packaging: 10 pieces.

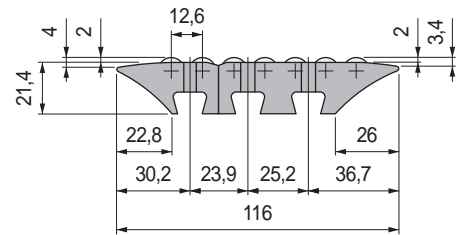
• Assembly Part. S0846 - S0846



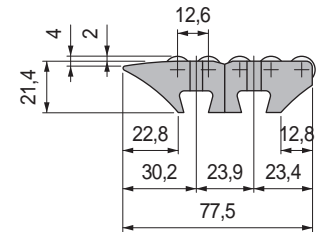
• Assembly Part. S0846 - S0847



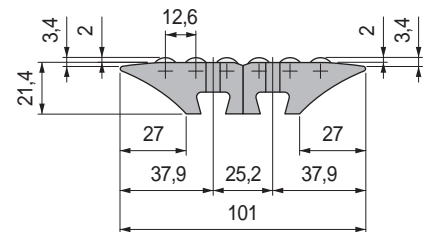
• Assembly Part. S0846 - S0848



• Assembly Part.S0846 - S0849



• Assembly Part. S0847 - S0847

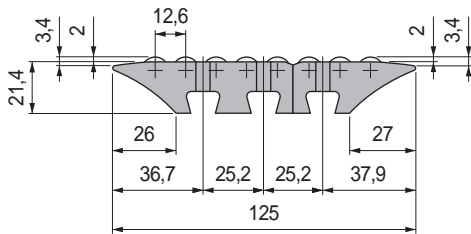


- Best Seller
- Standard
- On request: minimum quantity may apply. Consult our Customer Service for availability.

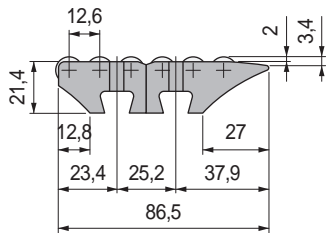
Item code for order = Part. + Code

# Modular transfer roller plate

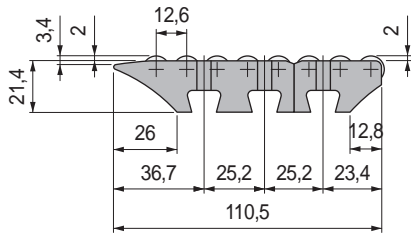
• Assembly Part. S0847 - S0848



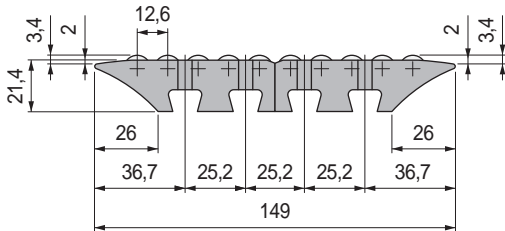
• Assembly Part. S0847 - S0849



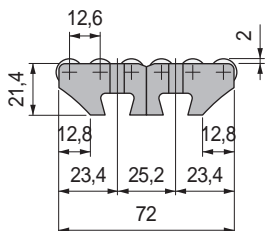
• Assembly Part. S0848 - S0849



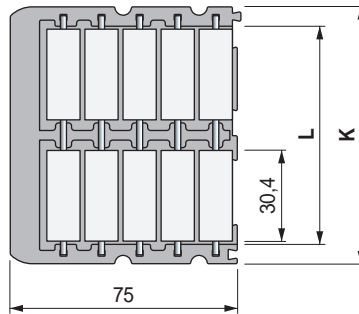
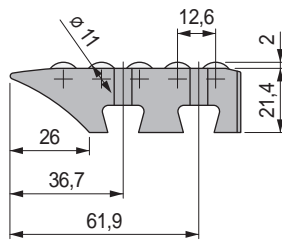
• Assembly Part. S0848 - S0848



• Assembly Part. S0849 - S0849



■ End transfer module (with lip)



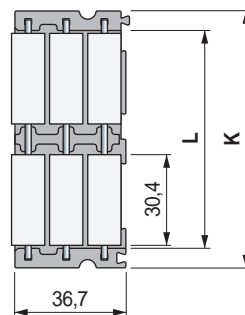
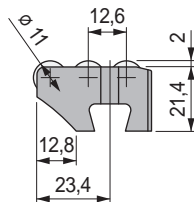
| K mm | L mm | Code   | Weight kg |
|------|------|--------|-----------|
| 85   | 72   | 645633 | 0,099     |
| 115  | 102  | 645643 | 0,135     |

- Material: frame in acetal Rex-HP™ (dark grey) very low coefficient of friction, rollers in acetal POM (white). Roller pins in austenitic stainless steel.
- Modularity: snap-on assembly with Part. S0846 - S0847 - S0849.
- Packaging: 10 pieces.

Part. S0848



■ End transfer module



| K mm | L mm | Code   | Weight kg |
|------|------|--------|-----------|
| 85   | 72   | 645613 | 0,056     |
| 115  | 102  | 645623 | 0,077     |

- Material: frame in acetal Rex-HP™ (dark grey) very low coefficient of friction, rollers in acetal POM (white). Roller pins in austenitic stainless steel.
- Modularity: snap-on assembly with Part. S0846 - S0847 - S0848.
- Packaging: 10 pieces.

Part. S0849



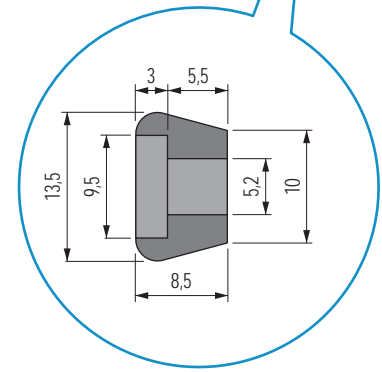
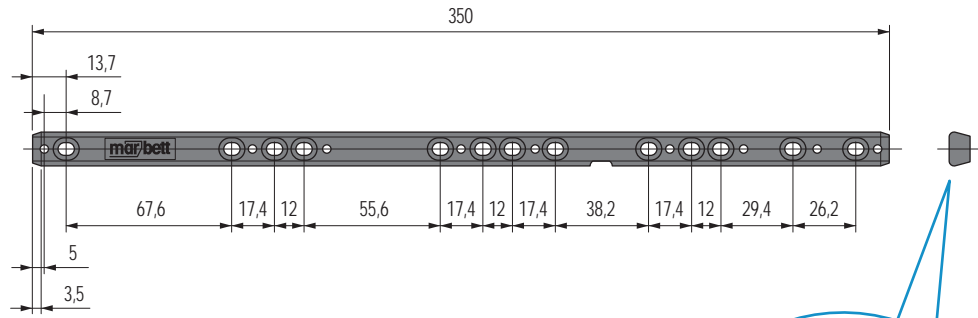
- Best Seller
- Standard
- On request: minimum quantity may apply. Consult our Customer Service for availability.

Item code for order = Part. + Code

Part. S0850



■ Assembly bar



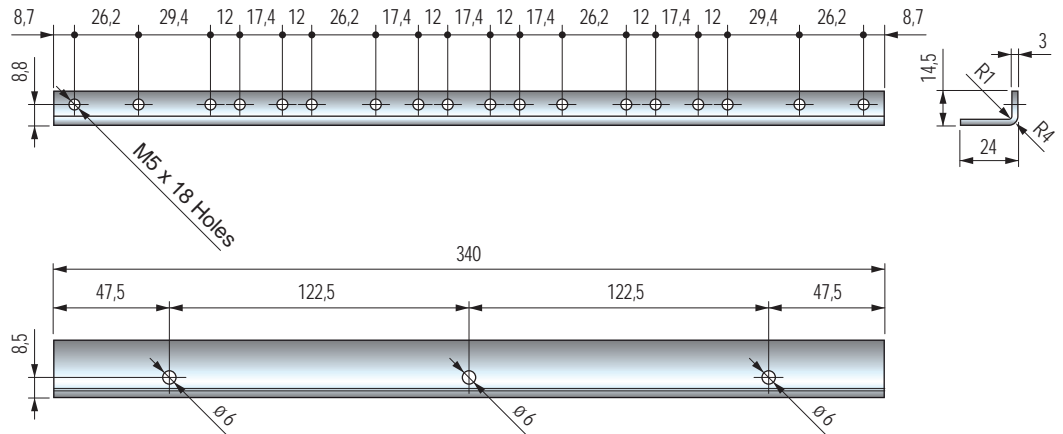
|                     | Code          | Weight kg |
|---------------------|---------------|-----------|
| With screws M5 x 10 | <b>646713</b> |           |
| With screws M5 x 16 | <b>646723</b> | 0,04      |
| Without screws      | <b>646733</b> |           |

- Material: Reinforced polyamide PAFV special (black).
- The Bar is provided with marks to indicate the cutting positions to obtain the lengths on the following page.
- Packaging: 10 pieces.

Part. S0864

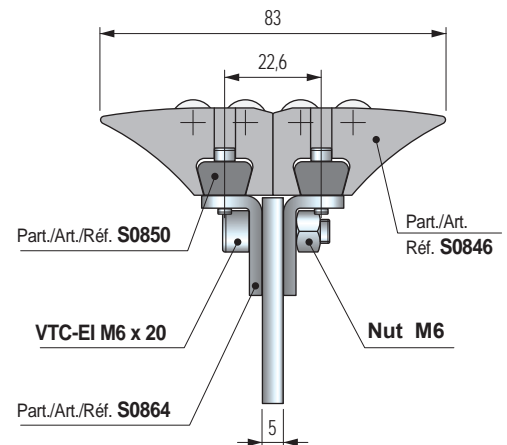


■ L Profile



|  | Code          | Weight kg |
|--|---------------|-----------|
|  | <b>646663</b> | 0,25      |

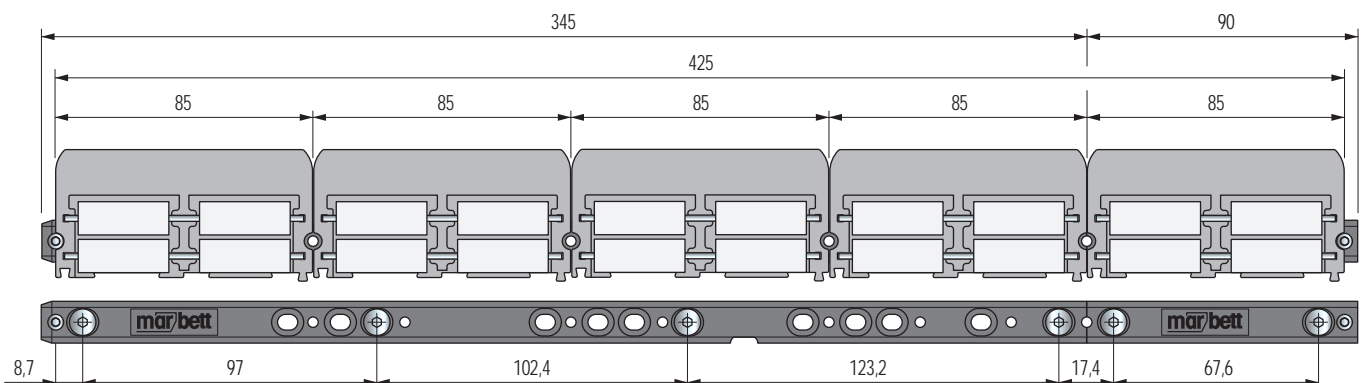
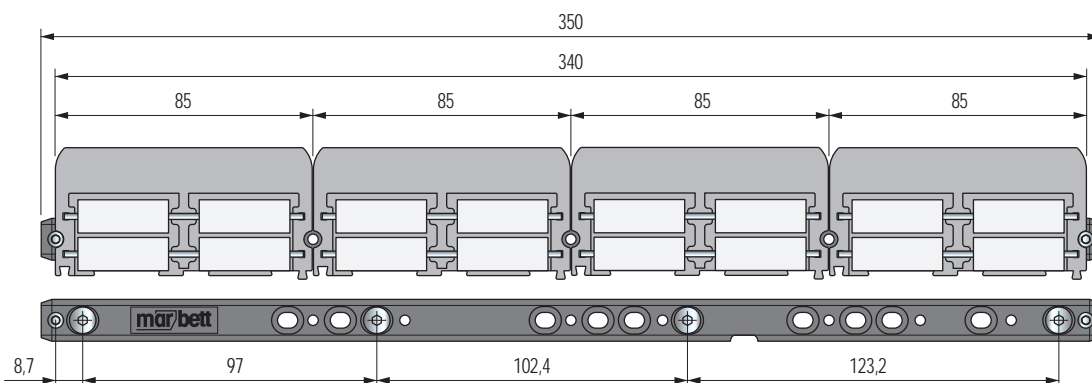
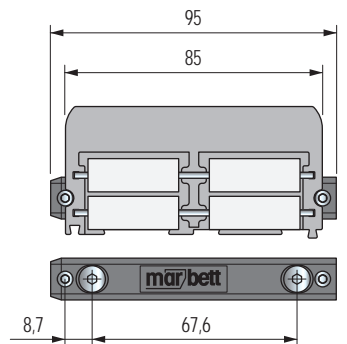
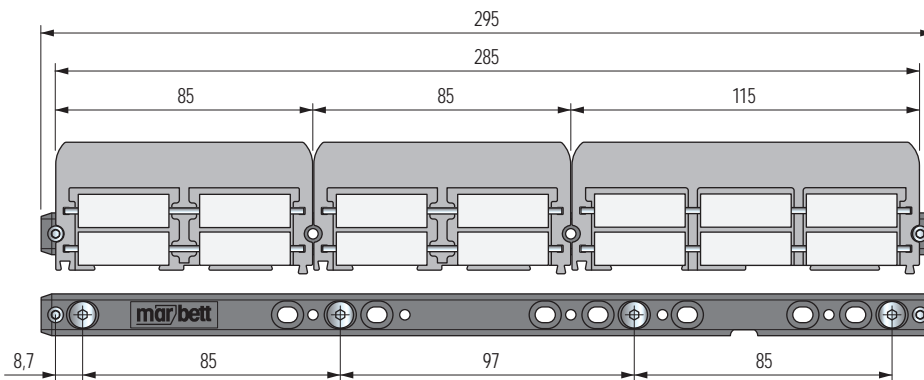
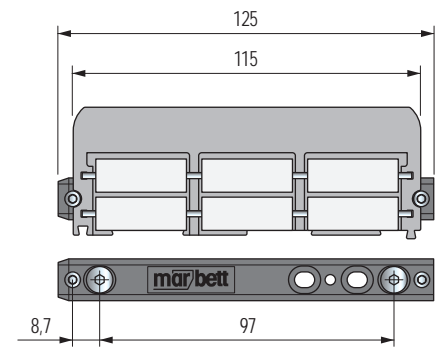
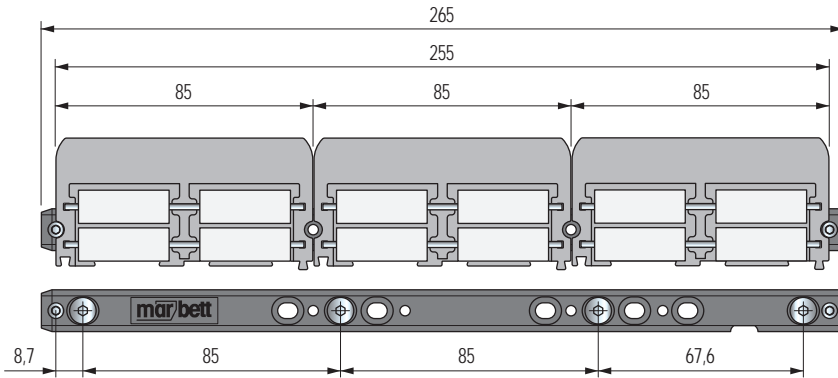
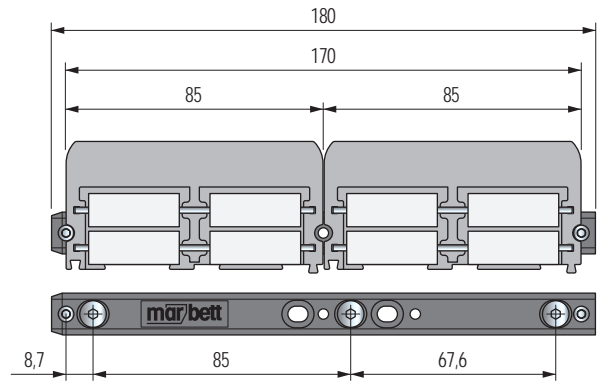
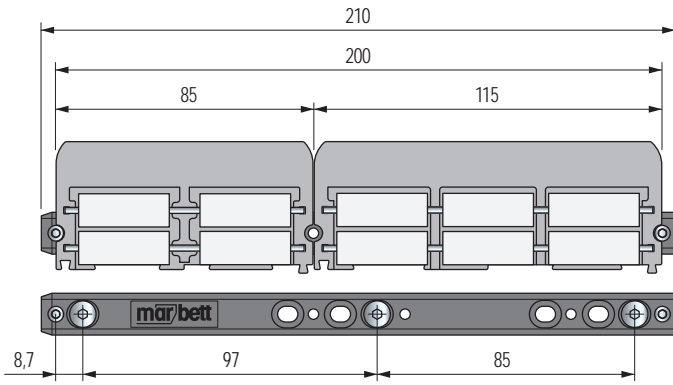
- Material: Profile and M6 screws in austenitic stainless steel, M6 nuts in nickel plated brass.
- Packaging: 2 pieces.



- Best Seller
- Standard
- On request: minimum quantity may apply. Consult our Customer Service for availability.

Item code for order = Part. + Code

*Modular transfer roller plate*

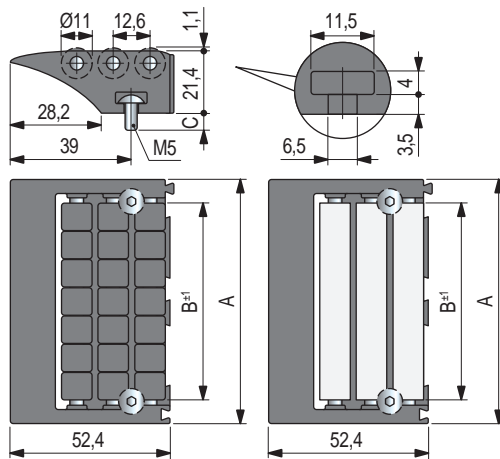


Part. S0567



New versions with rollers in special low friction material (Aubergine), and with a single roller in PE (White)

■ End transfer module (with lip)



Code

| A<br>mm | B<br>mm | C<br>mm        | Frame and Rollers<br>in acetal<br>Rex-HP<br>(dark grey) | Frame in<br>acetal POM<br>(black)<br>Rollers in special<br>material (aubergine) | Frame in acetal<br>Rex-HP<br>(dark grey)<br>Single roller in<br>PE (white) |
|---------|---------|----------------|---|---|--|
|         |         |                | Without screws  | <b>688792</b>   | <b>638833</b>  |
| 85      | 67,6    | 7              | <b>688802</b>   | <b>638843</b>   | <b>638853</b>  |
|         |         | 13             | <b>688812</b>   | <b>688832</b>   | <b>638863</b>  |
| 115     | 97      | Without screws | <b>687382</b>   | <b>638873</b>   | <b>699002</b>  |
|         |         | 7              | <b>686472</b>   | <b>638883</b>   | <b>638893</b>  |
|         |         | 13             | <b>677322</b>   | <b>638903</b>   | <b>638913</b>  |

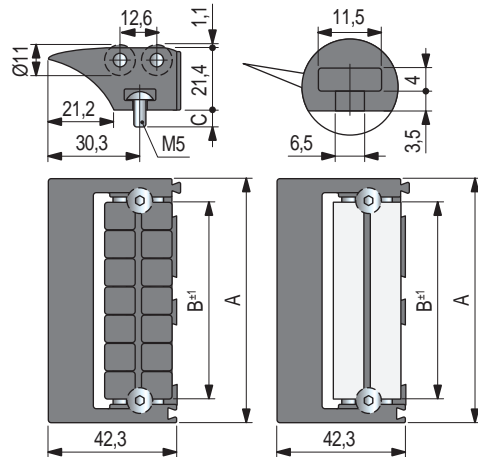
- Material: roller pins and screws in austenitic stainless steel.
- Modularity: snap-on assembly with Part. S0568.
- Packaging: 10 pieces.
- Weight: A=85: 0,09, A=115: 0,11.

Part. S0672



New versions with rollers in special low friction material (Aubergine), and with a single roller in PE (White)

■ End transfer module (with lip)



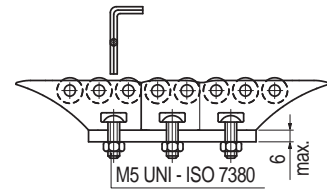
Code

| A<br>mm | B<br>mm | C<br>mm        | Frame and Rollers<br>in acetal<br>Rex-HP<br>(dark grey) | Frame in<br>acetal POM<br>(black)<br>Rollers in special<br>material (aubergine) | Frame in acetal<br>Rex-HP<br>(dark grey)<br>Single roller in<br>PE (white) |
|---------|---------|----------------|---|---|--|
|         |         |                | Without screws  | <b>687412</b>   | <b>638923</b>  |
| 85      | 67,6    | 7              | <b>687422</b>   | <b>638933</b>   | <b>638943</b>  |
|         |         | 13             | <b>675582</b>   | <b>638953</b>   | <b>638963</b>  |
| 115     | 97      | Without screws | <b>687432</b>   | <b>638973</b>   | <b>699042</b>  |
|         |         | 7              | <b>687442</b>   | <b>638983</b>   | <b>638993</b>  |
|         |         | 13             | <b>675592</b>   | <b>639003</b>   | <b>639013</b>  |

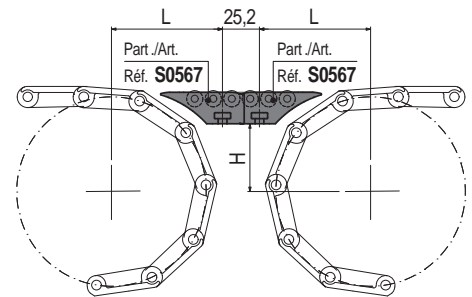
- Material: roller pins and screws in austenitic stainless steel.
- Modularity: snap-on assembly with Part. S0568.
- Packaging: 10 pieces.
- Weight: A=85: 0,09, A=115: 0,11.

• Fixing

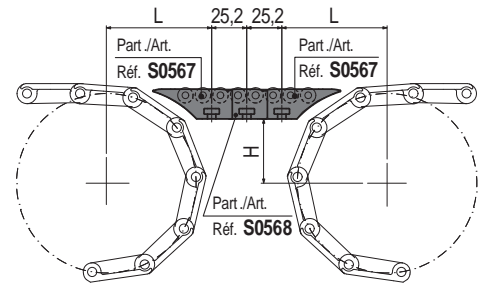
Screws are tightened with an hexagon key inserted between rollers.



• Head to tail transfer of small and light products.

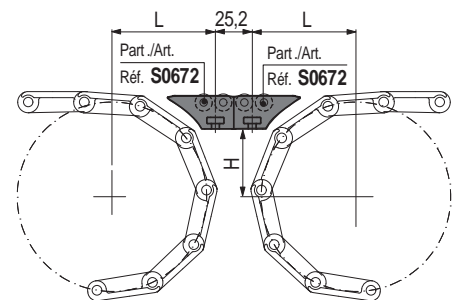


L and H see page S214.

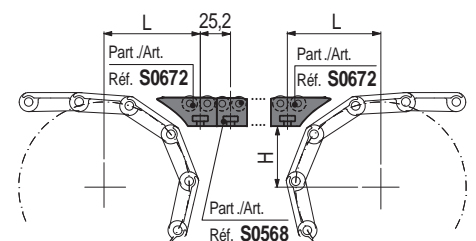


L and H see page S214.

Compact version.



L and H see page S216.



L and H see page S216.

● Best Seller

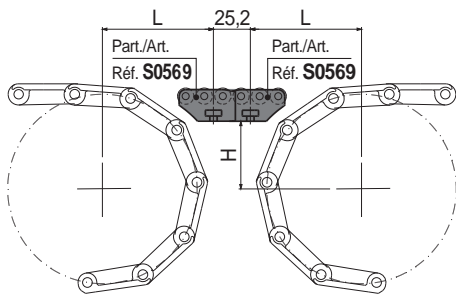
● Standard

● On request: minimum quantity may apply. Consult our Customer Service for availability.

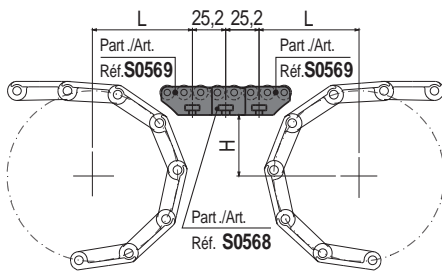
Item code for order = Part. + Code

# Modular transfer roller plate

- Head to tail transfer of big and heavy products.

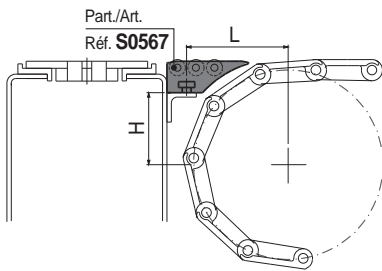


L and H see page S214.



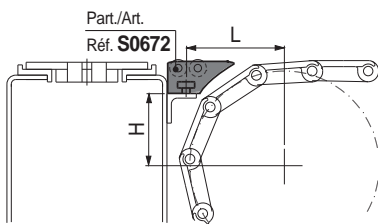
L and H see page S214.

- 90° transfer of small and light products.



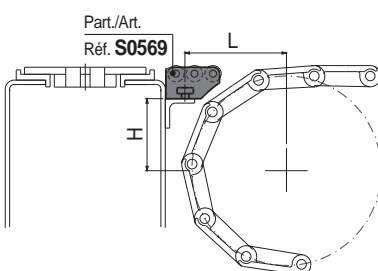
L and H see page S214.

Compact version.



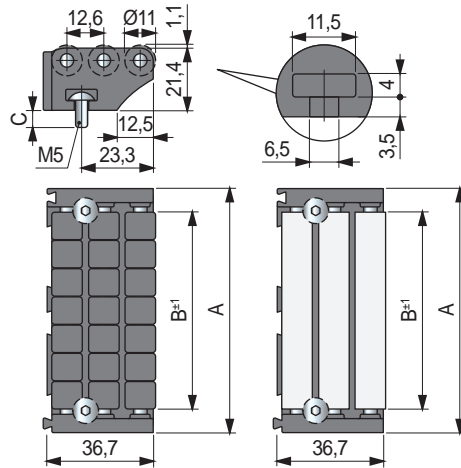
L and H see page S216.

- 90° transfer of big and heavy products.



L and H see page S214.

## End transfer module



|      |      |                | Code   |   |  |
|------|------|----------------|--|---|--|
| A mm | B mm | C mm           | Frame and Rollers in acetal Rex-HP (dark grey) | Frame in acetal POM (black) Rollers in special material (aubergine) | Frame in acetal Rex-HP (dark grey) Single roller in PE (white) |
| 85   | 67,6 | Without screws | <b>605922</b>                                  | <b>639023</b>   | <b>603412</b>  |
|      |      | 7              | <b>686262</b>                                  | <b>639033</b>   | <b>639043</b>  |
|      |      | 13             | <b>601092</b>                                  | <b>610682</b>   | <b>639053</b>  |
| 115  | 97   | Without screws | <b>687392</b>                                  | <b>639063</b>   | <b>699012</b>  |
|      |      | 7              | <b>686482</b>                                  | <b>639073</b>   | <b>639083</b>  |
|      |      | 13             | <b>677332</b>                                  | <b>639093</b>   | <b>639103</b>  |

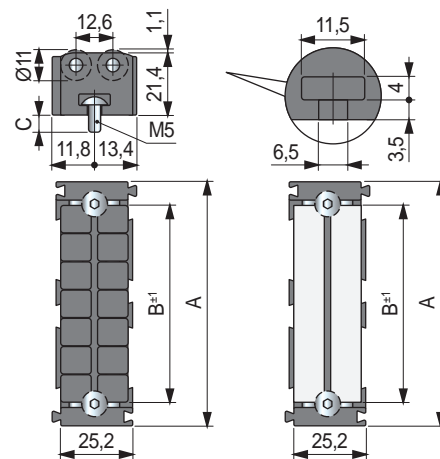
- Material: roller pins and screws in austenitic stainless steel.
- Modularity: snap-on assembly with Part. S0568.
- Packaging: 10 pieces.
- Weight: A=85: 0,09, A=115: 0,10.

Part. S0569



New versions with rollers in special low friction material (Aubergine), and with a single roller in PE (White)

## End transfer module



|      |      |                | Code   |   |  |
|------|------|----------------|--|---|--|
| A mm | B mm | C mm           | Frame and Rollers in acetal Rex-HP (dark grey) | Frame in acetal POM (black) Rollers in special material (aubergine) | Frame in acetal Rex-HP (dark grey) Single roller in PE (white) |
| 85   | 67,6 | Without screws | <b>605912</b>                                  | <b>639113</b>   | <b>603402</b>  |
|      |      | 13             | <b>601082</b>                                  | <b>610672</b>   | <b>639123</b>  |
| 115  | 97   | Without screws | <b>687402</b>                                  | <b>639133</b>   | <b>699022</b>  |
|      |      | 13             | <b>677312</b>                                  | <b>639143</b>   | <b>639153</b>  |

- Material: roller pins and screws in austenitic stainless steel.
- Modularity: snap-on assembly with Part. S0567 - S0569 - S0672.
- Packaging: 20 pieces.
- Weight: A=85: 0,08, A=115: 0,10.

Part. S0568



New versions with rollers in special low friction material (Aubergine), and with a single roller in PE (White)

● Best Seller

● Standard

● On request: minimum quantity may apply. Consult our Customer Service for availability.

Item code for order = Part. + Code

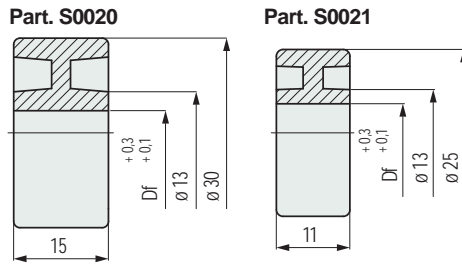


Part. S0020

Part. S0021



■ Rollers



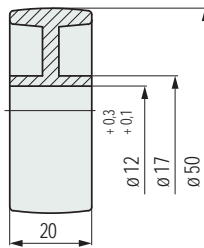
| Code       | Bore dia.<br>Df<br>mm |
|------------|-----------------------|
| S002051410 | 7                     |
| S002151420 | 5,5                   |
| S002151430 | 9,5                   |
| S002151440 | 10,5                  |

- Material: polyamide PA (black).
- Packaging: 200 pieces.

Part. S0016



■ Roller



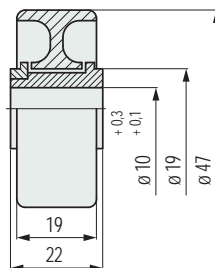
| Code  |
|-------|
| 51400 |

- Material: polyamide PA (black).
- Packaging: 100 pieces..

Part. S0076



■ Roller



| Code  |
|-------|
| 51390 |

- Material: roller in acetal POM (orange), bush in polyamide PA (white).
- Packaging: 100 pieces.

● Best Seller

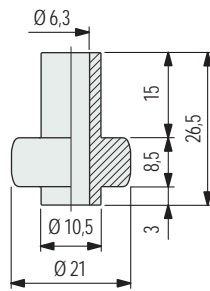
● Standard

● On request: minimum quantity may apply. Consult our Customer Service for availability.

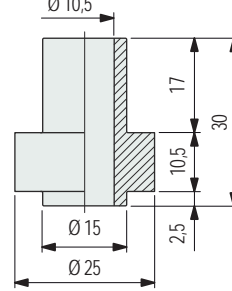
Item code for order = Part. + Code

## Rollers

Part. S0063



Part. S0095



Part. S0063

Part. S0095



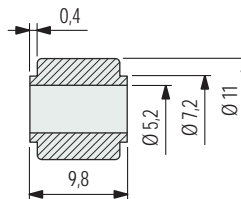
Code

S006351370

S009551380

- Material: acetal POM (white).
- Packaging: Part. S0063 (500 pieces), Part. S0095 (200 pieces).
- Part. S0063 can be used as spare part in roller guides Part. S0128-S0128 S-S0628 S.

## Roller



Part. S0363

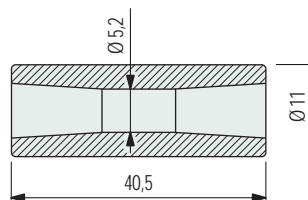


Code

64434

- Material: acetal Rex-LF® (light brown) very low coefficient of friction.
- Packaging: 5000 pieces.

## Roller



Part. S0455



Code

614381

- Material: acetal Rex-LF® (light brown) very low coefficient of friction.
- Packaging: 500 pieces.

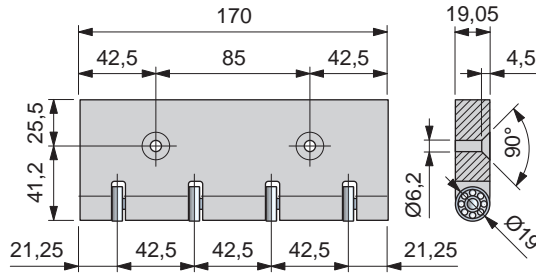
- **Best Seller**
- **Standard**
- **On request:** minimum quantity may apply. Consult our Customer Service for availability.

Item code for order = Part. + Code

Part. S0905



■ Modular "Nose - Over" bar standard profile

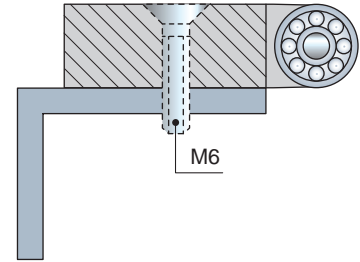


| Code   | Weight mm |
|--------|-----------|
| 649633 | 0,22      |

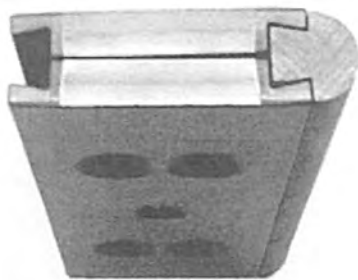
- Material: Polyethylene PE 500.000 (black).
- Packaging: 1 pieces.

• Modular nose - over bar standard

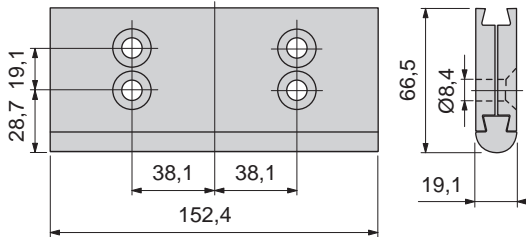
N2 M6 socked flat head cap screws UNI 5933.



Part. S0905



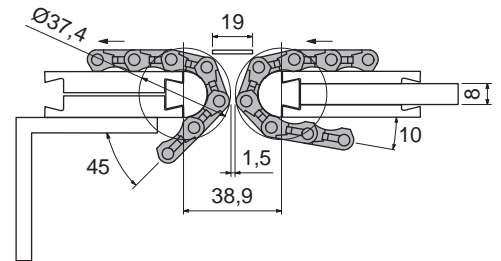
■ Modular "Nose - Over" bar standard profile



| Code   | Weight mm |
|--------|-----------|
| 655711 | 0,18      |

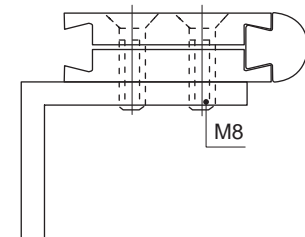
- Material: clamp in polyamide PA (black), sliding profile in Nylatron®.
- Packaging: 1 pieces.

• Assembly of Part. S0905



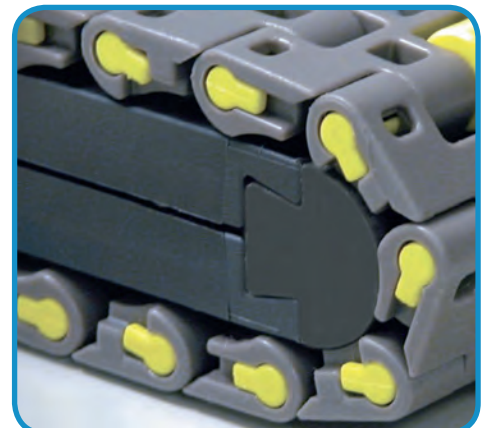
• Modular nose - over bar standard

N4 M8 socked flat head cap screws UNI 5933.



• Use of Part. S0905

Head to tail transfer with MatTop® chain Series 1500.



● Best Seller

● Standard

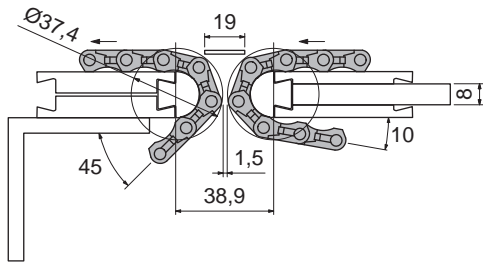
● On request: minimum quantity may apply. Consult our Customer Service for availability.

Item code for order = Part. + Code

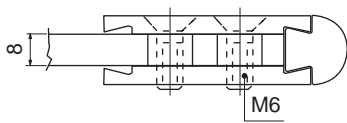
# Modular Nose - Over Bar

Part. S0905

• Assembly of Part. S0905

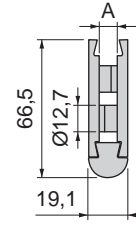
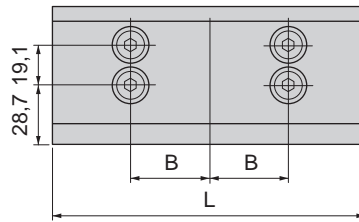


• Assembly of "Nose - Over" bar with 8 mm plate

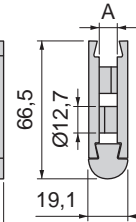
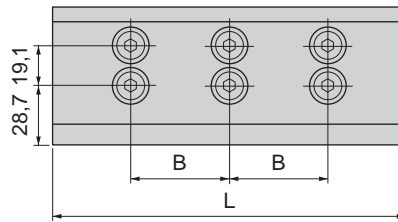


■ Modular "Nose - Over" bar low profile

Version L = 152,4 e 170



Version L = 255



| L<br>mm | B<br>mm | Hardware | A         | Code          | Weight<br>Kg |
|---------|---------|----------|-----------|---------------|--------------|
| 152,4   | 38,1    | M6       | 8 mm      | <b>655721</b> | 0,18         |
|         |         | 1/4-20   | 0,25 inch | <b>655731</b> |              |
| 170     | 42,5    | M6       | 8 mm      | <b>656301</b> | 0,20         |
| 255     | 85      | M6       | 8 mm      | <b>656291</b> | 0,31         |

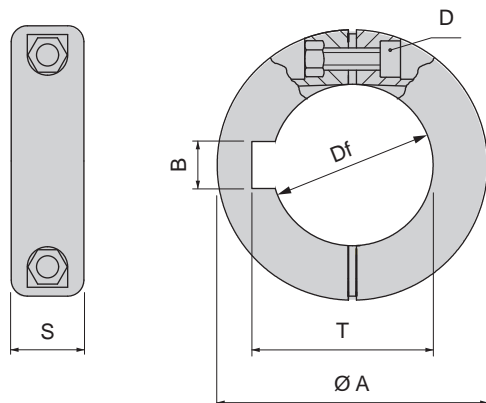
- Material: clamp in polyamide PA (black), sliding profile in Nylatron®, steel hardware.
- Packaging: 1 pieces.

- Best Seller
- Standard
- On request: minimum quantity may apply. Consult our Customer Service for availability.

Item code for order = Part. + Code

Part. S0612

■ Split shaft collar (with round bore)

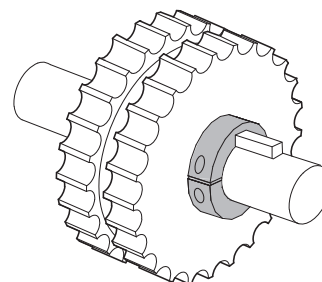


| Bore dia.                  | Ø A     | S    | B    | T    | D     | Code             | Weight |
|----------------------------|---------|------|------|------|-------|------------------|--------|
| mm                         | inch    | mm   | mm   | mm   | mm    |                  | kg     |
| <b>Without seat keyway</b> |         |      |      |      |       |                  |        |
| 12                         | -       | 30   | 11,7 | -    | -     | M4 <b>655062</b> | -      |
| -                          | 1/2"    | 30   | 11,7 | -    | -     | M4 <b>655072</b> | -      |
| 14                         | -       | 30   | 11,7 | -    | -     | M4 <b>655082</b> | -      |
| 16                         | 5/8"    | 35   | 11,7 | -    | -     | M4 <b>655092</b> | -      |
| 18                         | -       | 40   | 14   | -    | -     | M4 <b>614712</b> | 0,018  |
| -                          | 3/4"    | 40   | 14   | -    | -     | M4 <b>655102</b> | -      |
| 20                         | -       | 40   | 14   | -    | -     | M4 <b>614722</b> | 0,019  |
| 25                         | -       | 45   | 14   | -    | -     | M4 <b>619452</b> | 0,022  |
| 30                         | -       | 50   | 16   | -    | -     | M4 <b>640602</b> | 0,026  |
| -                          | 1 1/4"  | 50   | 16   | -    | -     | M4 <b>608463</b> | -      |
| 35                         | -       | 63,5 | 18   | -    | -     | M5 <b>621553</b> | 0,030  |
| -                          | 1 1/2"  | 63,5 | 18   | -    | -     | M5 <b>611283</b> | -      |
| 40                         | -       | 63,5 | 18   | -    | -     | M5 <b>686232</b> | 0,040  |
| <b>With seat keyway</b>    |         |      |      |      |       |                  |        |
| 25                         | -       | 45   | 14   | 8    | 28,3  | M4 <b>683812</b> | 0,022  |
| -                          | 1"      | 45   | 14   | 6,4  | 28,58 | M4 <b>655112</b> | -      |
| 30                         | -       | 50   | 16   | 8    | 33,3  | M4 <b>614732</b> | 0,026  |
| -                          | 1 1/4"  | 50   | 16   | 6,4  | 34,98 | M4 <b>655122</b> | -      |
| 35                         | -       | 63,5 | 18   | 10   | 38,3  | M5 <b>614742</b> | 0,030  |
| -                          | 1 7/16" | 63,5 | 18   | 9,58 | 41,02 | M5 <b>605043</b> | -      |
| -                          | 1 1/2"  | 63,5 | 18   | 9,58 | 42,65 | M5 <b>655132</b> | -      |
| 40                         | -       | 63,5 | 18   | 12   | 43,3  | M5 <b>615012</b> | 0,040  |

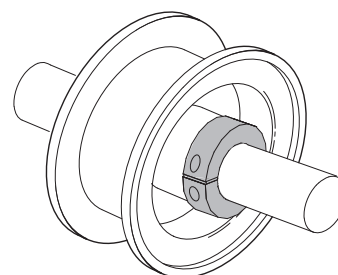
- Material: collar in reinforced polyamide PA FV (black), tightening bolt in austenitic stainless steel.
- Max recommended tightening torque: 0,3 Kgm.
- Packaging: 100 pieces.

• Assembly of Part. S0612 (with round bore)

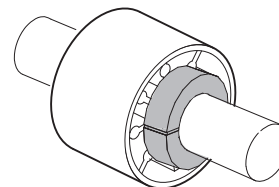
- With sprockets



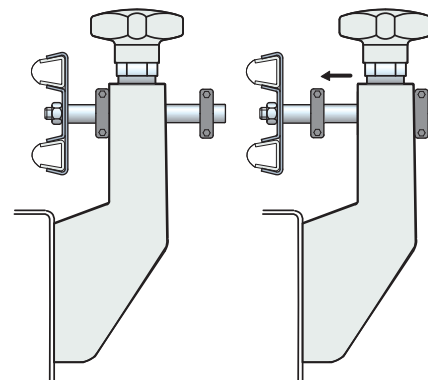
- With idler wheels



- With rollers



- With side brackets



● Best Seller

● Standard

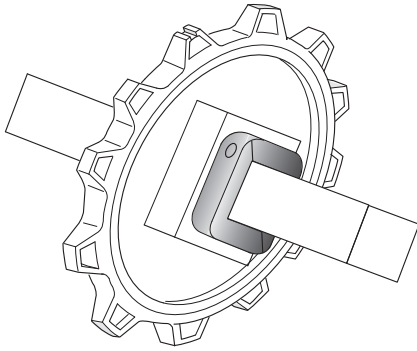
● On request: minimum quantity may apply. Consult our Customer Service for availability.

Item code for order = Part. + Code

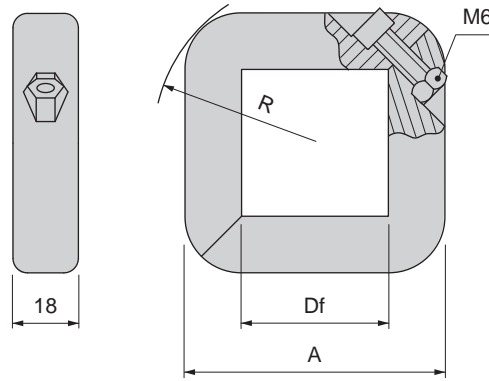
# Shaft collars

• **Assembly Part. S0612 (with square bore)**

- Ideal for the locking of MatTop® sprockets.
- Version in reinforced Polyamide PA FV, gives better resistance at high temperatures.
- Version in reinforced Polypropylene PP FV, gives better resistance against chemical agents.



■ **Split shaft collar (with square bore)**



Part. S0612

| Square bore<br>Df               | Material<br>Polyamide<br>PA FV<br>(black) | Material<br>Polypropylene<br>PP FV<br>(black) | A             | R  | Code |      |
|---------------------------------|---|---|---------------|----|------|------|
|                                 |   |   |               |    | mm   | inch |
| <b>Version with metric bore</b> |   |   |               |    |      |      |
| 40x40                           | -   | <b>692952</b>                                 | <b>689852</b> | 72 | 44   |      |
| 60x60                           | -   | <b>692962</b>                                 | <b>689862</b> | 95 | 58   |      |
| <b>Version with inch bore</b>   |   |   |               |    |      |      |
| -                               | 1 1/2"                                    | <b>692942</b>                                 | <b>689842</b> | 72 | 44   |      |
| -                               | 2 1/2"                                    | <b>692972</b>                                 | <b>689872</b> | 95 | 58   |      |

- Material tightening bolt: austenitic stainless steel.
- Max recommended tightening torque: 0,5 Kgm.
- Packaging: 24 pieces.

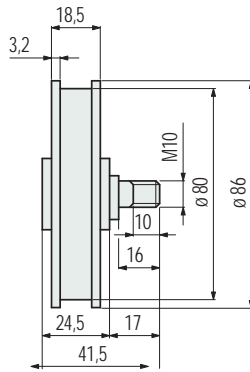
- **Best Seller**
- **Standard**
- **On request:** minimum quantity may apply. Consult our Customer Service for availability.

Item code for order = Part. + Code

Part. S0079



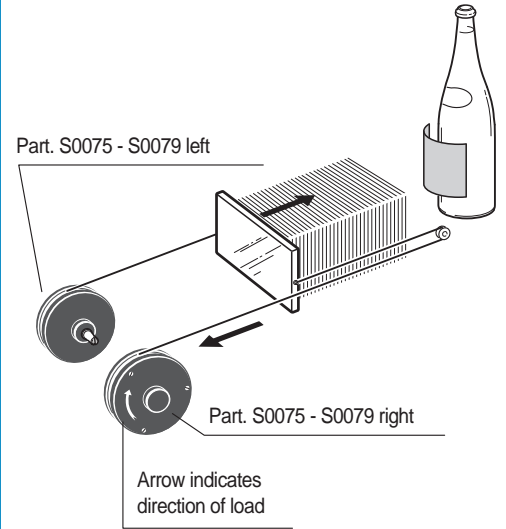
■ Winding tensioner



| Load gr. | Winding travel mm | Direction of travel | Code          |
|----------|-------------------|---------------------|---------------|
| 0÷2000   | 2000              | right               | <b>672622</b> |
|          |                   | left                | <b>672632</b> |

- Noise reduction.
- Material: pulley in polyamide PA (orange), pin in brass.
- Packaging: 10 pieces.

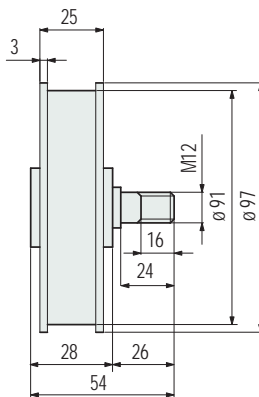
• Assembly of Part. S0079 - S0075



Part. S0075



■ Winding tensioner



| Load gr. | Winding travel mm | Direction of travel | Code           |
|----------|-------------------|---------------------|----------------|
| 0÷4000   | 2500              | right               | <b>672642N</b> |
|          |                   | left                | <b>672652N</b> |
| 0÷2800*  | 600               | right               | <b>672662N</b> |
|          |                   | left                | <b>672672N</b> |

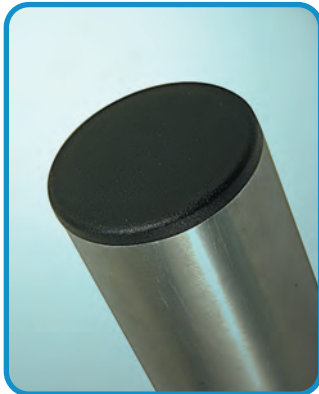
- Noise reduction.
- \* = Unwinding the spring, the load is almost constant 10/20% (loss of load).
- Material: pulley in reinforced polyamide PA FV (black), pin in brass.
- Packaging: 10 pieces.

- **Best Seller**
- **Standard**
- **On request:** minimum quantity may apply. Consult our Customer Service for availability.

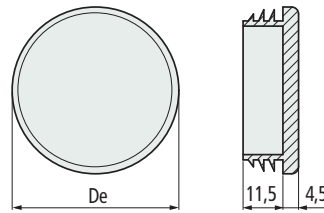
Item code for order = Part. + Code

# Caps

• Assembly of Part. S0666



■ Closing caps (for round tubes)



Tube dimensions

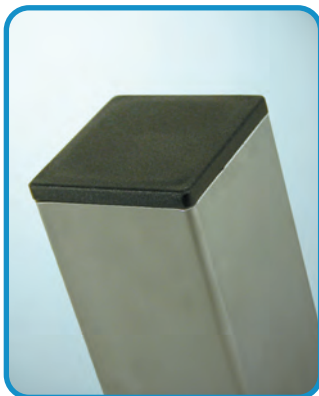
| Outside dia.<br>mm | Thickness min.<br>mm | Thickness max.<br>mm | Code   | De<br>mm |
|--------------------|----------------------|----------------------|--------|----------|
| Ø 38,1             | 1                    | 3,5                  | 671142 | 38       |
| Ø 42,4 (1 1/4")    | 1                    | 2,5                  | 671152 | 42       |
| Ø 48,3 (1 1/2")    | 1,2                  | 3,6                  | 671162 | 48       |

- Material: polyethylene PE (black).
- Packaging: 50 pieces.

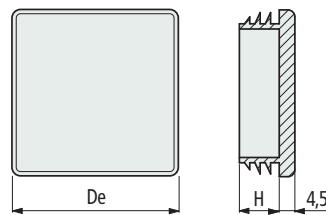
Part. S0666



• Assembly of Part. S0667



■ Closing caps (for square tubes)

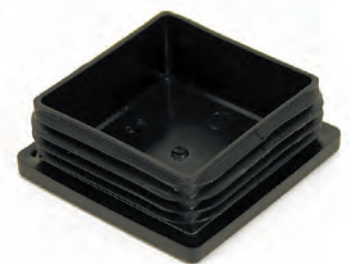


Tube dimensions

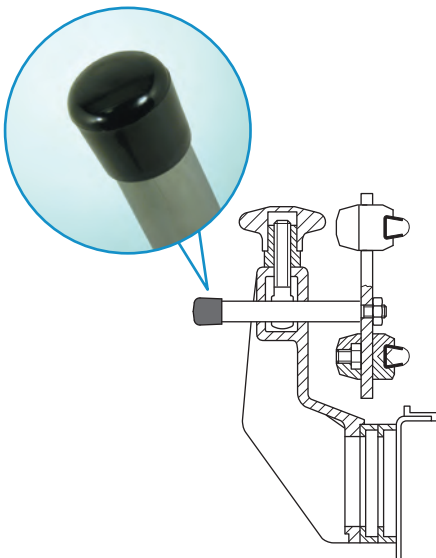
| Outside<br>mm | Thickness min.<br>mm | Thickness max.<br>mm | Code   | De<br>mm | H<br>mm |
|---------------|----------------------|----------------------|--------|----------|---------|
| ∇ 40x40       | 1                    | 3                    | 671172 | 40       | 14      |
| ∇ 50x50       | 1                    | 2,5                  | 671182 | 50       | 14,5    |

- Material: polyethylene PE (black).
- Packaging: 50 pieces.

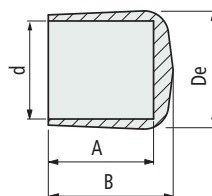
Part. S0667



• Assembly of Part. S0668



■ Safety caps (for round tubes)



| Pin dia.<br>d<br>mm | Code   |        | Ø De<br>mm | A<br>mm | B<br>mm |
|---------------------|--------|--------|------------|---------|---------|
|                     | Black  | Orange |            |         |         |
| 12                  | -      | 611263 | 16         | 15      | 18,5    |
| 14                  | -      | 611273 | 18         | 16,5    | 21      |
| 16                  | 671212 | -      | 20         | 22      | 26      |
| 20                  | 671222 | -      | 24,5       | 21,5    | 25,5    |

- Material: PVC rubber.
- Packaging: 50 pieces.

Part. S0668



● Best Seller

● Standard

● On request: minimum quantity may apply. Consult our Customer Service for availability.

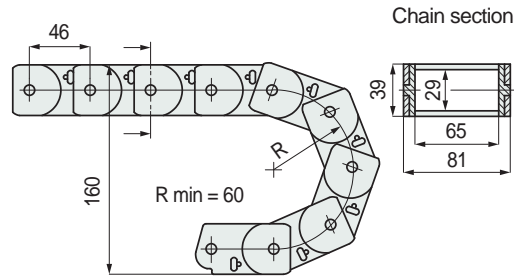
Item code for order = Part. + Code



## Part. S0112



### ■ Cable carriage chain

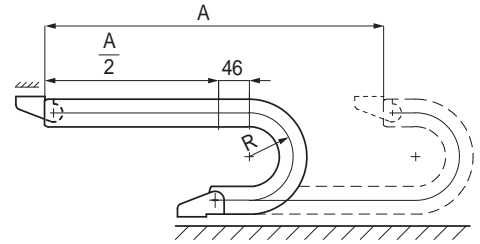


Code

51610

- Use: for carrying cables and hoses in the machine and protecting them from tensile and torsional stress.
- Material: polyamide PA (black).
- Assembly of engaged links: the engagement system allows a quick easy dismantling.
- Packaging: 5 metres.

### • Calculation of chain length L



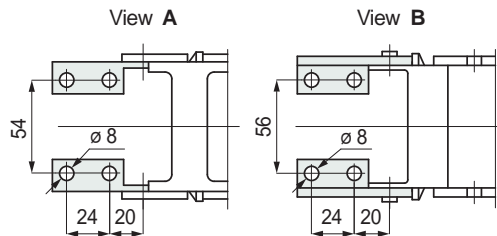
$$L = \frac{A}{2} + R + (46 \cdot 2)$$

- L = chain length (mm).
- A = chain stroke (mm).
- R = curving radius (mm).

## Part. S0114



### ■ Attachments

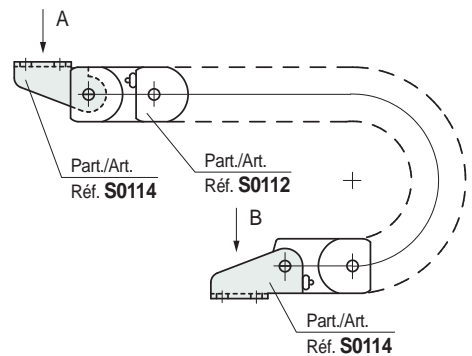


Code

59040

- Material: zinc plated steel.
- State of supply: complete with No. 4 connections.
- Packaging: 5 kit.

### • Assembly of Part. S0114



● Best Seller

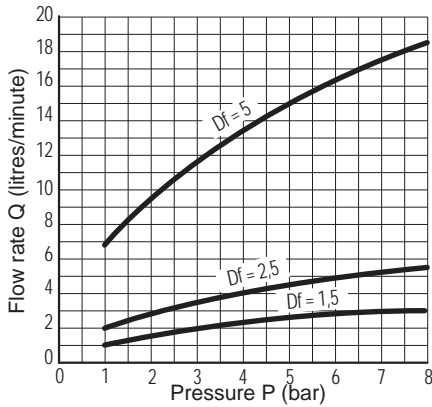
● Standard

● On request: minimum quantity may apply. Consult our Customer Service for availability.

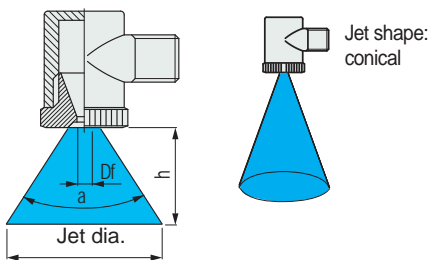
Item code for order = Part. + Code

# Nozzles

## Capacity diagram of Part. S0019



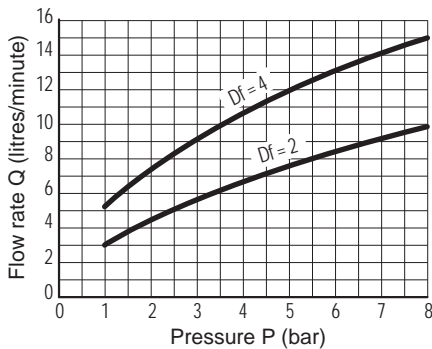
## Dimensions and jet shape of Part. S0019



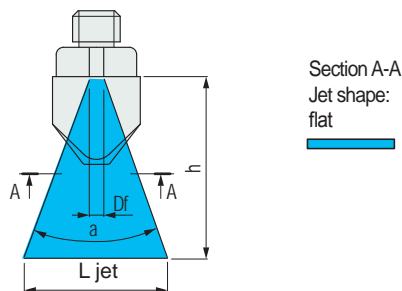
| Bore dia. Df mm | outlet angle a | Jet dia. mm | distance h mm |
|-----------------|----------------|-------------|---------------|
| 1,5             | 18             | 160         | 500           |
| 2,5             | 22             | 200         | 500           |
| 5               | 60             | 600         | 500           |

Tests performed at 2 bar pressure.

## Capacity diagram of Part. S0018



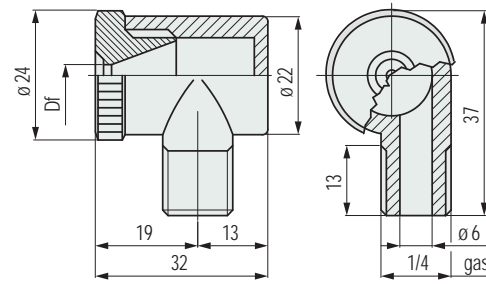
## Dimensions and jet shape of Part. S0018



| Bore dia. Df mm | outlet angle a | Jet width L mm | distance h mm |
|-----------------|----------------|----------------|---------------|
| 2               | 28             | 250            | 500           |
| 4               | 18             | 160            | 500           |

Tests performed at 2 bar pressure.

## Nozzle conical shape



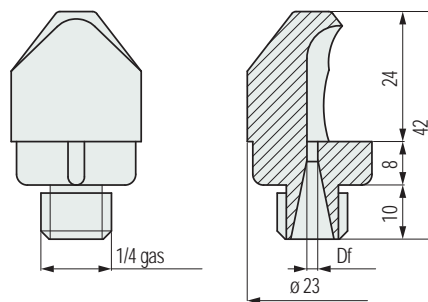
| Bore dia. Df mm | Code  |
|-----------------|-------|
| 1,5             | 51450 |
| 2,5             | 51460 |
| 5               | 51470 |

- Use: washing equipment.
- Material: polyamide PA (black).
- Max operating temperature in contact with hot water: 70°C.
- Packaging: 100 pieces.

## Part. S0019



## Nozzle shell shape



| Bore dia. Df mm | Code  |
|-----------------|-------|
| 2               | 51480 |
| 4               | 51490 |

- Use: washing equipment.
- Material: polyamide PA (white).
- Max operating temperature in contact with hot water: 70°C.
- Packaging: 200 pieces.

## Part. S0018



● Best Seller

● Standard

● On request: minimum quantity may apply. Consult our Customer Service for availability.

Item code for order = Part. + Code

Part. S0837

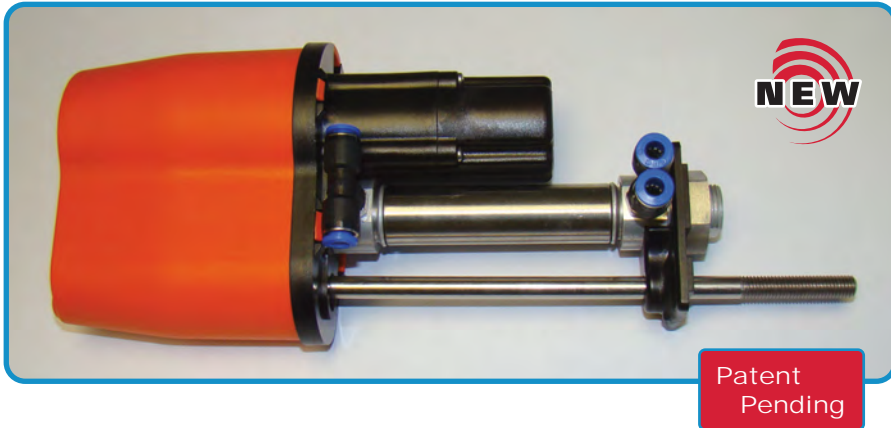
■ Technical information

Code

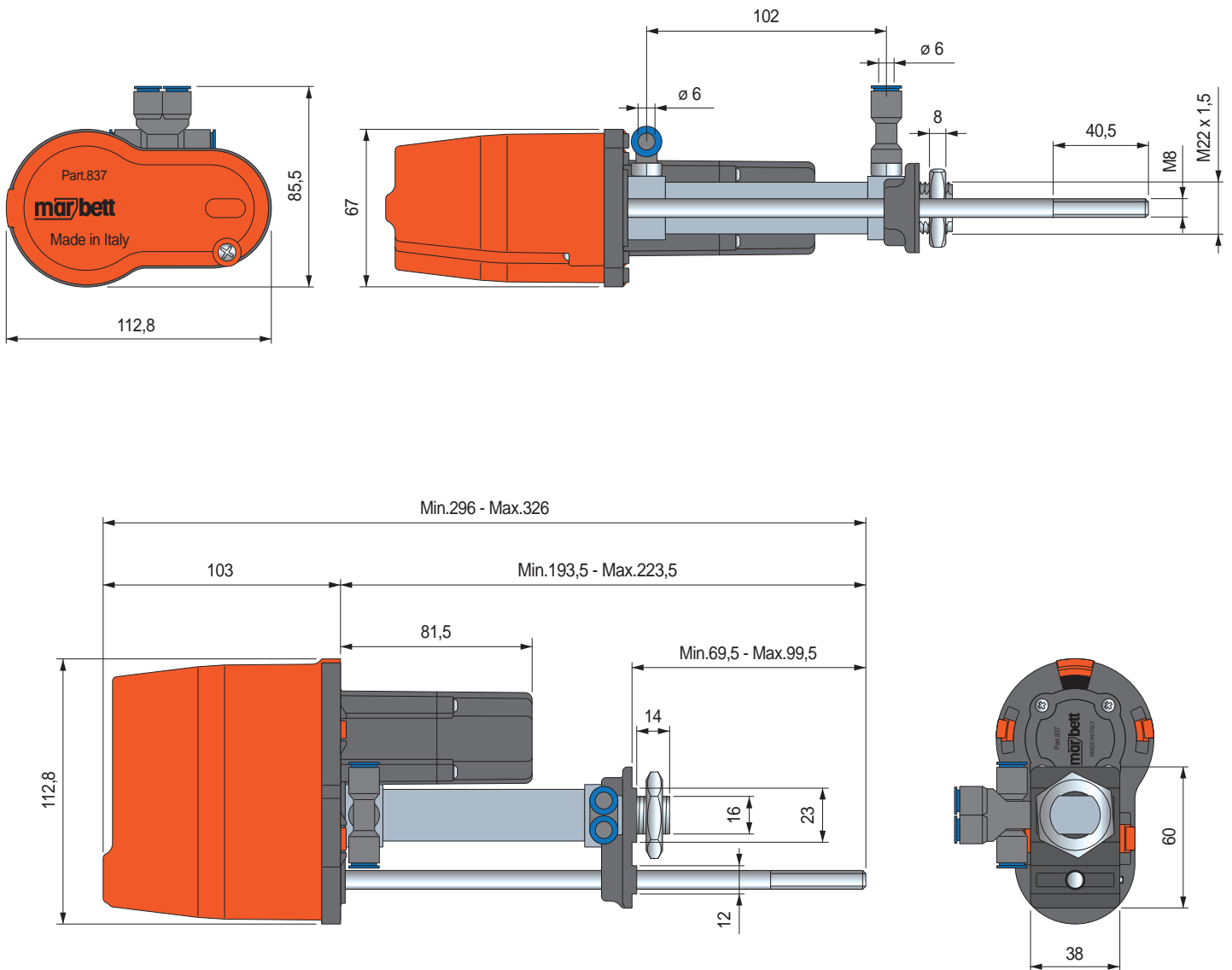
Weight  
kg

640783

0,68

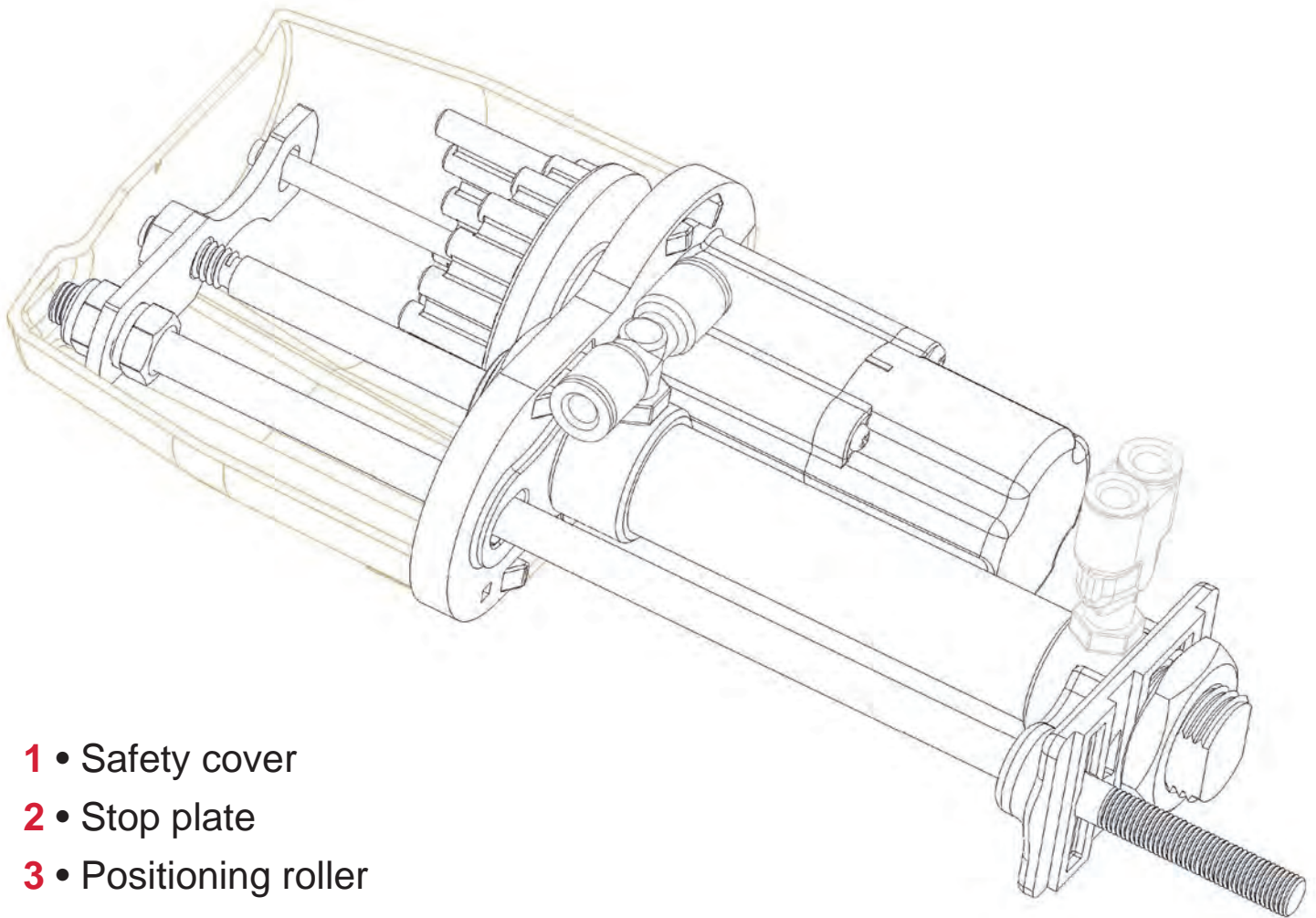


- Operating unit SGA™, on the positioning roller and fastening support in black acetalic POM.
- Safety cover in orange Polypropylene PP.
- Stop plate, rod clamp and M22 nut in stainless steel.
- Quick coupling in plastic.
- Mini-cylinder ISO 6432.
- Packaging: 4 pieces.



■ Component's description

Part. S0837

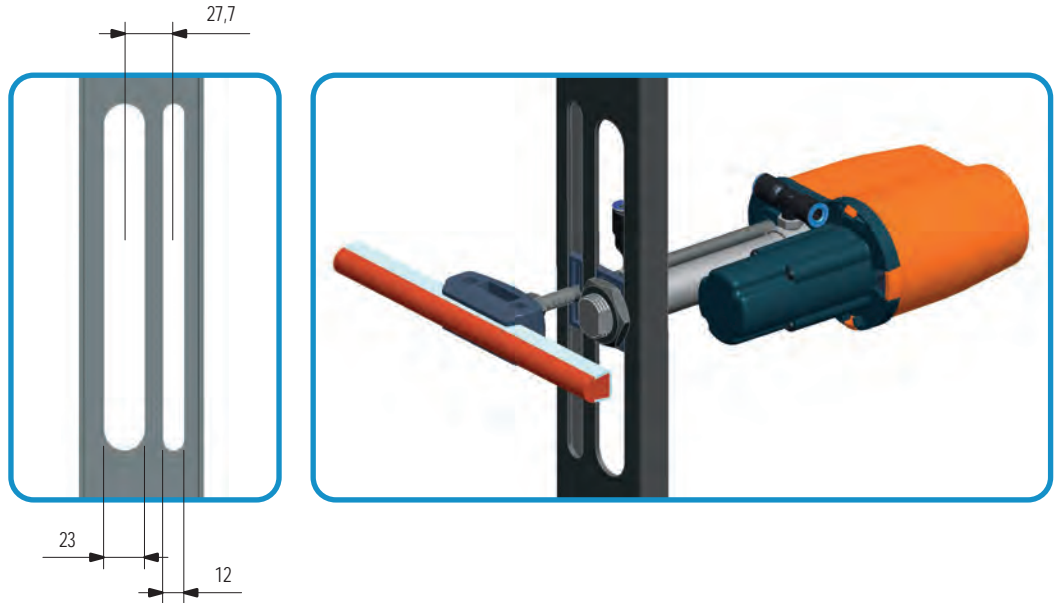


- 1 • Safety cover
- 2 • Stop plate
- 3 • Positioning roller
- 4 • Quick coupling "T" 1/8 GAS
- 5 • **SGA™** operating unit
- 6 • Rod clamp
- 7 • Mini-cylinder ISO 6432
- 8 • Mounting support
- 9 • M22 nut
- 10 • Quick coupling "Y" 1/8 GAS

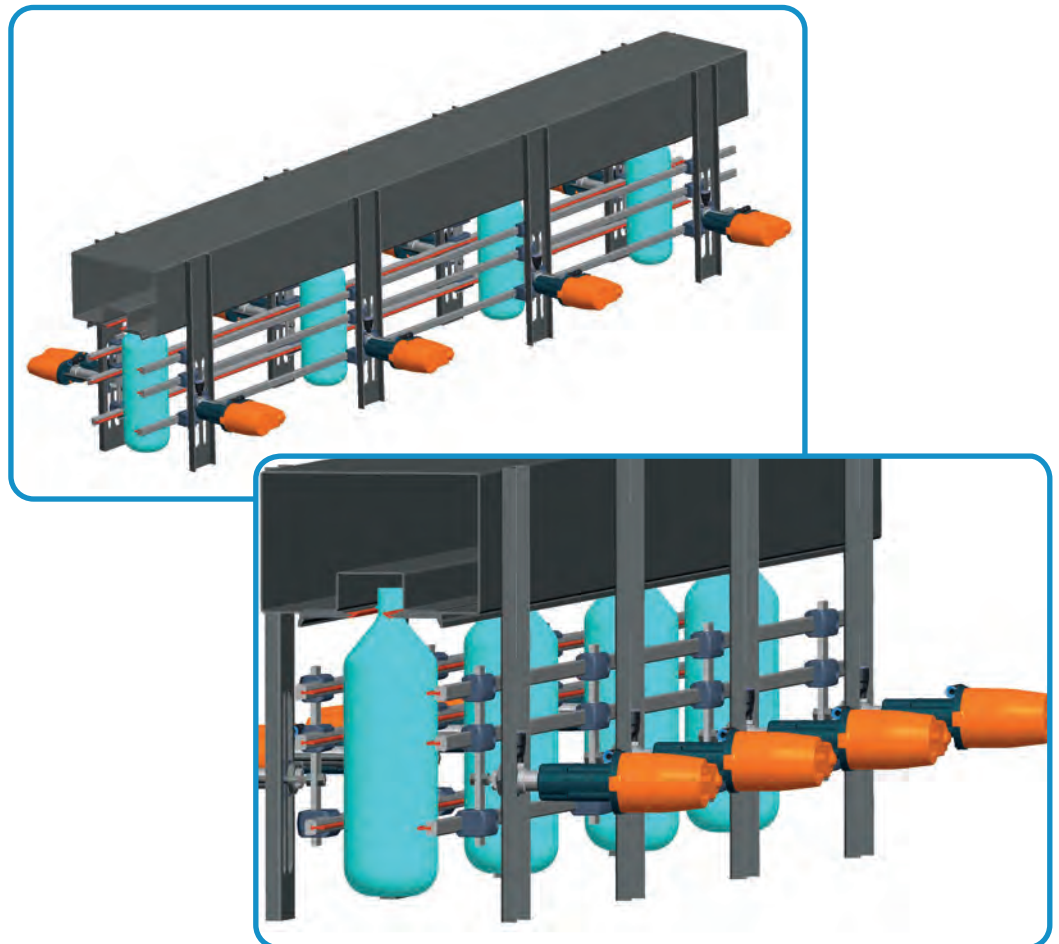
Part. S0837

■ Installation on compressed air conveyors

Each unit can be assembled on bored or slotted supporting profiles, based on the sizes suggested in the figures below.



Example of installation of SGA™ system (Side Guide Adjustment™) on a compressed air conveyor. Working pressure  $\geq 4,5$  bar during adjustment.

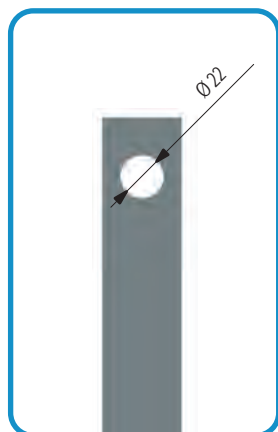


## Side Guide Adjustment

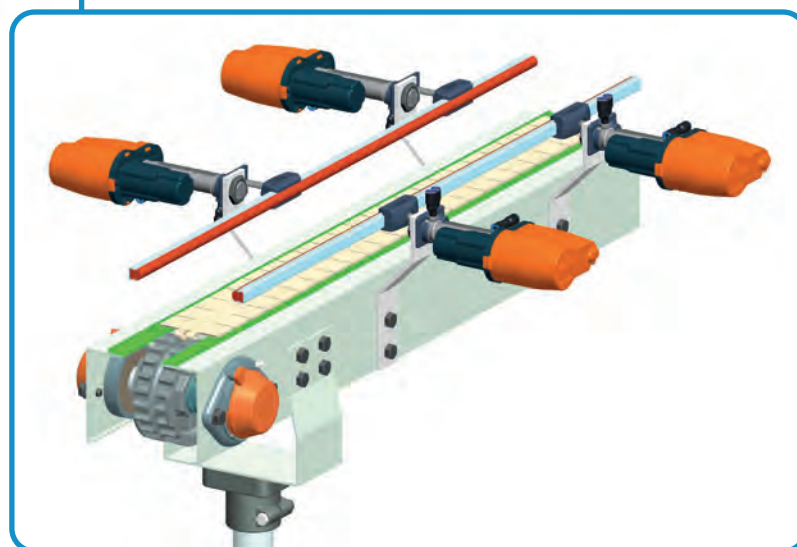
### ■ Installation on chain conveyors

Part. S0837

Each unit can be assembled on bored bars with holes according to the sizes indicated in the figures below.



Example of installation of SGAT™ system (Side Guide Adjustment™) on a chain conveyor.  
Working pressure  $\geq 4,5$  bar during adjustment.

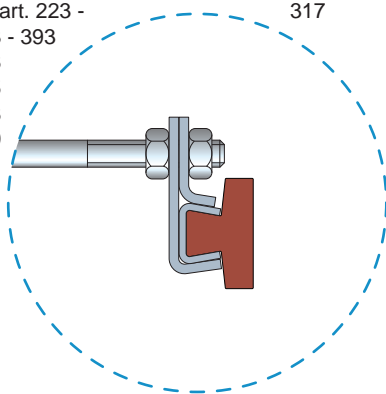


Part. S0837

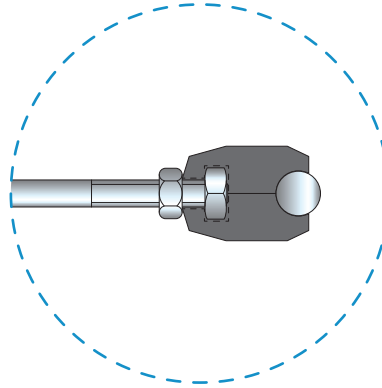
■ Technical information

Example of side guide assembly.

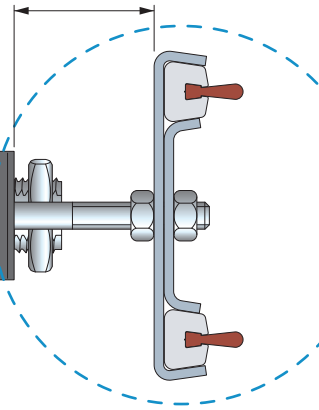
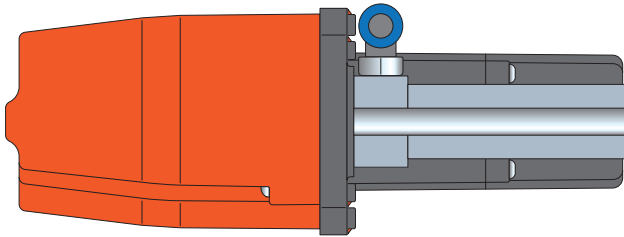
**Clamp Part. 215**  
 Guides Part. 223 -  
 219 - 373 - 393  
 596 - 308  
 715 - 765  
 767 - 768  
 769 - 770



**Clamp Part. 159 - 437 - 451**  
 Round guides Dia. 8 - 10 - 12 - 14

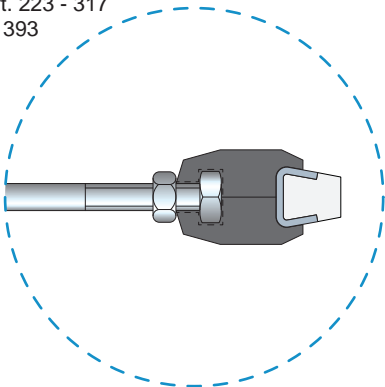


Leave min 20 mm for system movement

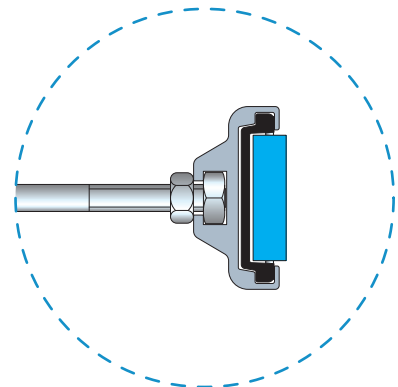


**Clamp Part. 217**  
 Guides Part.  
 223 - 317  
 219 - 373  
 393 - 596  
 308 - 715  
 765 - 767  
 768 - 769  
 770

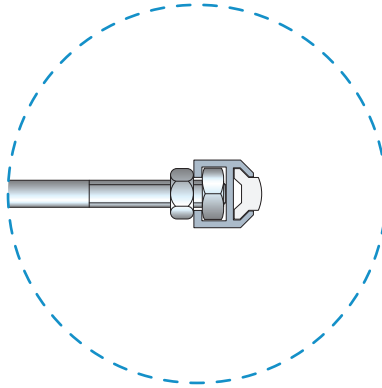
**Clamp Part. 211 - 446**  
 Guides Part. 223 - 317  
 219 - 373 - 393  
 596 - 308  
 715 - 765  
 767 - 768  
 769 - 770



**M8 nut UNI 5589-65**  
 Guides Part. 756 - 757 - 856 - 868



**M8 nut UNI 5589-65**  
 Guides Part. 346 - 832

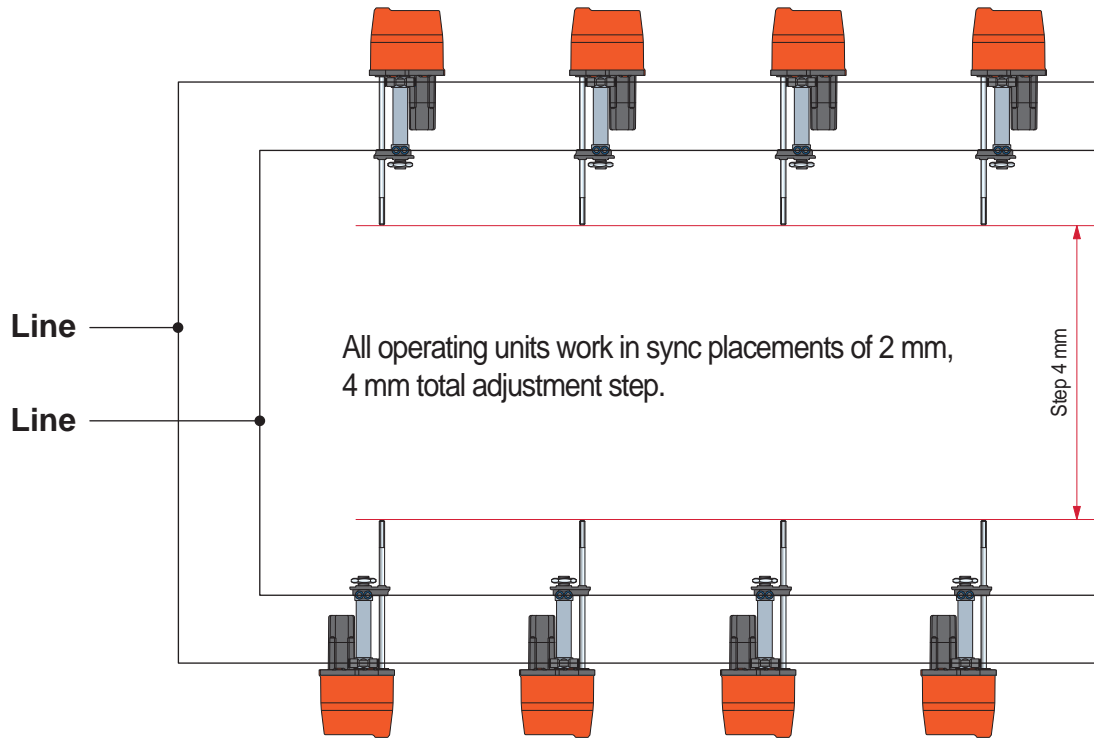


## Side Guide Adjustment

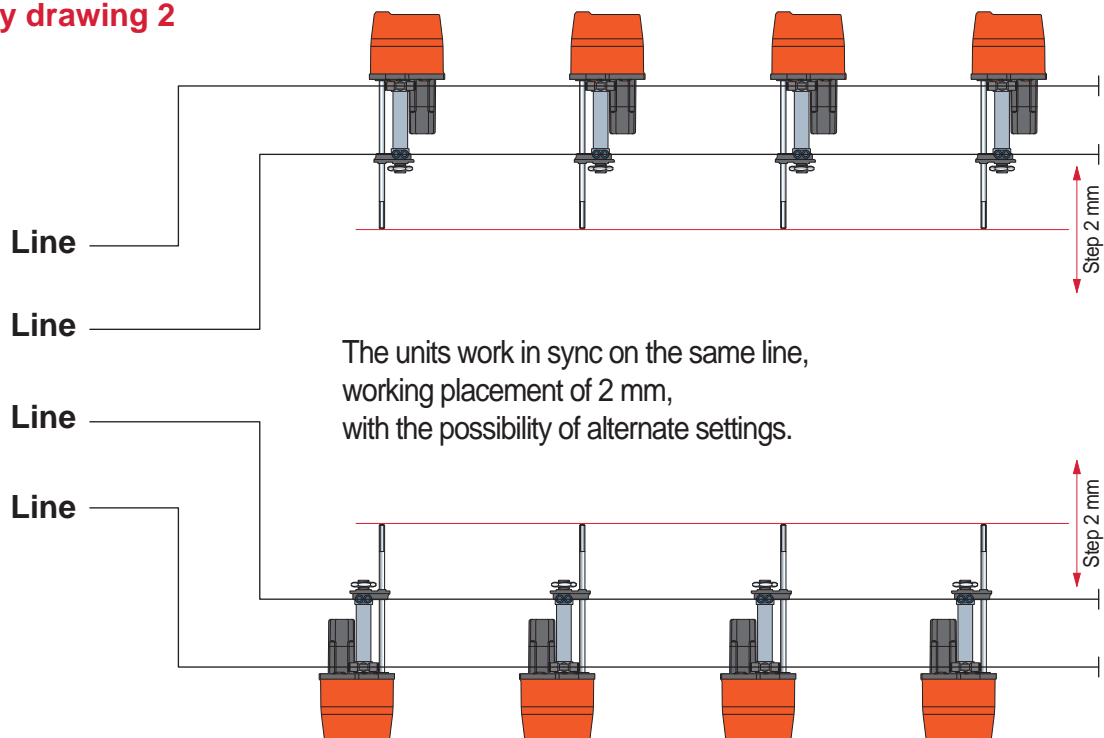
■ Technical information

Part. S0837

## Assembly drawing 1



## Assembly drawing 2





## Calculation of thermal expansion

$$L_t = L_0 \cdot [ 1 + a \cdot (T - 20\text{ °C}) ]$$

$L_t$  = final length ( mm. )  
 $L_0$  = initial length ( mm. )  
 $a$  = coefficient of linear expansion.  
 $T$  = operating temperature ( °C ).  
 $20\text{ °C}$  = ambient temperature.

Example :

aguide having initial length  $L_0 = 1000\text{ mm}$ , coefficient of linear expansion  $2 \times 10^{-4}$ , and an operating temperature of  $70\text{ °C}$ , expands by :

$$L_t = 1000\text{ mm} \cdot [ 1 + 0,0002 \cdot ( 70\text{ °C} - 20\text{ °C} ) ] = 1010\text{ mm}$$

## Material characteristics

### Polyamide PA

• An extremely tough material with excellent dimensional stability even at relatively high temperatures • Good resistance to chemical attack • Inflammability : 94HB.

### Reinforced polyamide PA FV

• This material offers improved ductile strength compared with PA polyamide, as well as improved rigidity and dimensional stability • Operating temperatures can also be higher • Inflammability : 94HB.

### Polypropylene PP

• Ideal for use at high temperatures • High resistance to chemical attack • Reduced mechanical characteristics • Inflammability : 94HB.

### Reinforced polypropylene PP FV

• This material offers better dimensional stability and rigidity than PP polypropylene as well as better mechanical strength • Inflammability : 94HB.

### Polyethylene PE ( UHMWPE )

• This is the plastic material which is most suited to the manufacture of lateral guides subject to sliding contact, thanks to an extremely low coefficient of friction, excellent wear resistance and zero absorption ( important in water lubricated applications ) • PE polyethylene also offers high resistance to chemical attack and good sound absorbing qualities • Inflammability : 94HB.

### Polyethylene ULF ( UHMWPE + solid lubricant )

• Compared to polyethylene PE offers a reduced friction coefficient, with a consequent higher wear resistance • Do not leave traces on the container • Inflammability : 94 HB.

### Acetal POM

• Acetalic resins are among the strongest and most resistant thermoplastic materials known • The most important characteristics of these materials are excellent ductile strength, impact resistance, rigidity, and dimensional stability • These materials also resist humidity and attack by most chemical agents • The materials cannot be used in continuous contact with steam or hot water at temperatures above  $60\text{ °C}$  • Inflammability : 94 HB.

### Acetal Rex LF®

• This material conserves the same characteristics of POM acetalic • The addition of a self-lubricating agent, however, gives an extremely low coefficient of friction and excellent wear resistance • Rex LF® acetalic has the same limitations as POM acetalic as far as continuous contact with hot water and steam are concerned • Inflammability : 94HB.

### Austenitic stainless steel

• Austenitic stainless steel offering excellent corrosion and oxidation resistance • Ideal for the food industry, dairy and cheese production, beer production, and the pharmaceutical industry • Austenitic stainless steel is cold rolled and responsive to magnets.

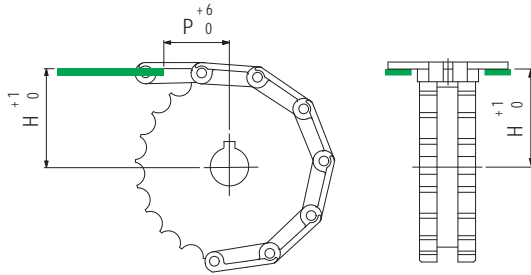
### Zinc plated steel

• Galvanically zinc coated steel • Galvanization thickness 7 microns.

### Nickel plated brass

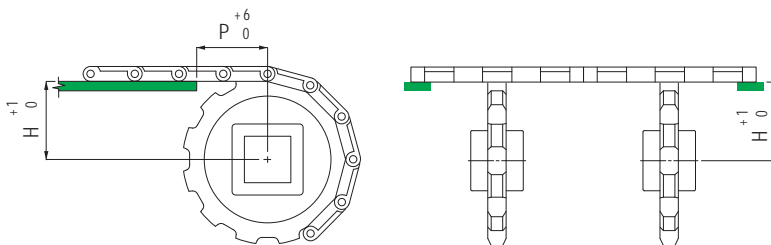
• Good resistance to chemicals • Humid and wet environments.

# Technical information



Position of chain guide profiles for TableTop® chains

| Chain   | H mm             | P mm |
|---|------------------|------|
| 512 - 802 - 805 - 812 - 815 - 820 - 821 - 881 - 881 M - 8811 - 8811 TAB - SLBP 821                        | ( Dp : 2 ) + 3,2 | 40   |
| 831 - XLBP 831  |                  |      |
| 880 - 880 TAB - 880 BO  | ( Dp : 2 ) + 3,6 | 40   |
| 879 - 879 TAB - 879 BO - LBP 879 BO   |                  |      |
| 882 - 882 TAB - SLBP 882 TAB - LBP 883  | ( Dp : 2 ) + 4,8 | 40   |
| 866 - 963 - 1864 - 1873 - 1874 - 2873 - 3873  |                  |      |
| 1700K - 1700TABK - AC1700K - 1701 - 1790K - 1701TABK - 1702 - 1716K - 1710K - 1710TABK - 1713K - 1713TABK | ( Dp : 2 ) - 12  | 50   |
| Dp = primitive diameter of drive sprocket - mm.   |                  |      |

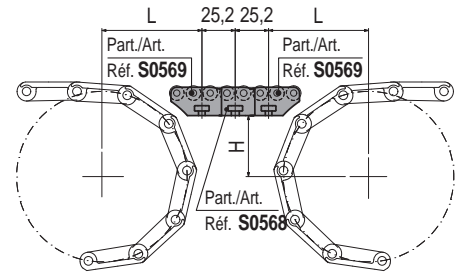
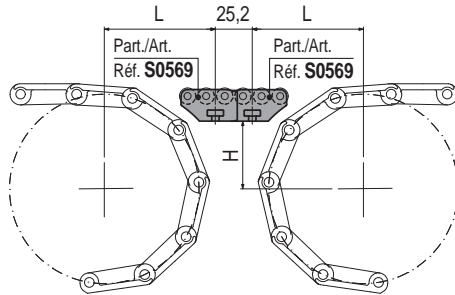
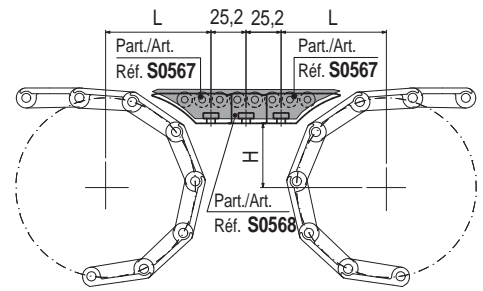
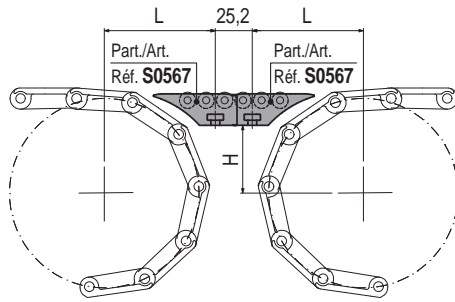


Position of chain guide profiles for MatTop® chains

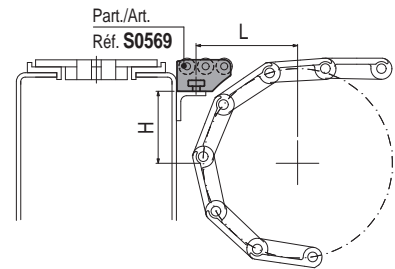
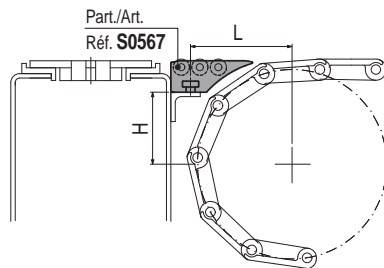
| Chain   | H mm              | P mm |
|---|-------------------|------|
| 1505 - 1506   | ( Dp : 2 ) - 4,95 | 15   |
| 2100  | ( Dp : 2 ) - 4,37 | 25   |
| 4705 - 4706 - 4707 - 4705 Vacuum - 4803 - 5705 - 5706 | ( Dp : 2 ) - 6,35 | 38   |
| 4812  | ( Dp : 2 ) - 5,2  | 38   |
| 4809  | ( Dp : 2 ) - 7,9  | 57   |
| 5935 - 5936 - 5935 Vacuum - 8505 - 8506               | ( Dp : 2 ) - 4,35 | 19   |
| 5996 - 5997 - 5998                                    | ( Dp : 2 ) - 9,1  | 57   |
| 6390 - 6391 - 6392                                    | ( Dp : 2 ) - 7,0  | 50   |
| 7705 - 7706   | ( Dp : 2 ) - 6,35 | 25   |
| 7956  | ( Dp : 2 ) - 6,35 | 32   |
| Dp = primitive diameter of drive sprocket - mm.       |                   |      |

**Position of transfer modules**  
**Part. S0567 - S0568 - S0569**  
**S0847 - S0848 - S0849**

• **Head to tail transfer**



• **90° transfer**



**H, L dimensions for**  
**TableTop® chains**

| Chain                         | Z 15 |      | Z 17 |      | Z 19 |      | Z 21 |      | Z 23 |      | Z 25 |      | Z 27 |      | Z 29 |      |
|-------------------------------|------|------|------|------|------|------|------|------|------|------|------|------|------|------|------|------|
|                               | H    | L    | H    | L    | H    | L    | H    | L    | H    | L    | H    | L    | H    | L    | H    | L    |
| 802 - 805 - 812 - 815 - 881   | 30,9 | 64,6 | 36,8 | 65,8 | 42,8 | 67,0 | 48,7 | 68,1 | 54,7 | 69,2 | 60,7 | 70,2 | 66,7 | 73,0 | 72,7 | 75,3 |
| 881 M - 8811 - 8811 TAB       | 30,9 | 64,6 | 36,8 | 65,8 | 42,8 | 67,0 | 48,7 | 68,1 | 54,7 | 69,2 | 60,7 | 70,2 | 66,7 | 73,0 | 72,7 | 75,3 |
| 512                           | 45,2 | 67,4 | 53,2 | 68,9 | 61,3 | 70,3 | 69,3 | 74,0 | -    | -    | -    | -    | -    | -    | -    | -    |
| 1864 - 1874 - 4874            | 37,3 | 73,2 | 43,3 | 74,8 | 49,4 | 76,2 | 55,4 | 77,6 | 61,5 | 75,4 | 67,5 | 77,9 | -    | -    | -    | -    |
| 820                           | 31,5 | 65,4 | 37,4 | 66,7 | 43,4 | 67,9 | 49,3 | 69,0 | 55,3 | 70,1 | 61,3 | 71,3 | 67,3 | 73,7 | 73,3 | 76,0 |
| 821                           | 32,3 | 65,8 | 38,2 | 67,1 | 44,2 | 68,3 | 50,1 | 69,4 | 56,1 | 70,6 | 62,1 | 71,6 | 68,1 | 72,7 | 74,1 | 73,7 |
| 843                           | 17,1 | 65,9 | 21,2 | 67,1 | 25,2 | 68,2 | 29,2 | 69,3 | 33,2 | 70,3 | 37,3 | 71,3 | -    | -    | -    | -    |
| 845                           | 17,1 | 63,9 | 21,2 | 64,9 | 25,2 | 66,0 | 29,2 | 67,0 | 33,2 | 67,9 | 37,3 | 68,8 | -    | -    | -    | -    |
| 963                           | 37,3 | 73,5 | 43,3 | 75,0 | 49,4 | 76,4 | 55,4 | 77,8 | 61,5 | 75,5 | 67,5 | 78,1 | -    | -    | -    | -    |
| 1873 - 1853 - 853             | 37,3 | 68,6 | 43,3 | 69,9 | 49,4 | 71,2 | 55,4 | 72,3 | 61,5 | 72,5 | 67,5 | 74,9 | 73,5 | 77,3 | -    | -    |
| 1843                          | 17,9 | 63,9 | 22,0 | 64,9 | 26,0 | 66,0 | 30,0 | 66,9 | 34,0 | 67,9 | 38,1 | 68,8 | -    | -    | -    | -    |
| 812 Rub. Top - 881 Rub. Top   | 32,9 | 65,0 | 38,8 | 66,2 | 44,8 | 67,3 | 50,7 | 68,4 | 56,7 | 69,5 | 62,7 | 71,4 | 68,7 | 73,8 | 74,7 | 76,1 |
| 802 Rub. Top                  | 33,9 | 65,2 | 39,8 | 66,4 | 45,8 | 67,5 | 51,7 | 68,6 | 57,7 | 69,7 | 63,7 | 71,8 | 69,7 | 74,2 | 75,7 | 76,5 |
| HFP 820                       | 33,5 | 65,1 | 39,4 | 66,3 | 45,4 | 67,5 | 51,3 | 68,6 | 57,3 | 69,6 | 63,3 | 71,6 | 69,3 | 74,0 | 75,3 | 76,3 |
| HFP 821                       | 34,3 | 65,3 | 40,2 | 66,5 | 46,2 | 67,6 | 52,1 | 68,7 | 58,1 | 69,7 | 64,1 | 72,0 | 70,1 | 74,3 | 76,1 | 76,6 |
| HFP 867 - HFP 1877 - HFP 1873 | 40,3 | 66,5 | 46,3 | 67,6 | 52,4 | 68,7 | 58,4 | 69,8 | 64,5 | 72,1 | 70,5 | 74,5 | 76,5 | 76,8 | -    | -    |
| SLBP 821                      | 47,3 | 67,8 | 53,2 | 68,9 | 59,2 | 69,9 | 65,1 | 72,4 | 71,1 | 74,7 | 77,1 | 77,0 | -    | -    | -    | -    |

| Chain            | Z 9  |      | Z 10 |      | Z 11 |      | Z 12 |      | Z 13 |      | Z 14 |      | Z 15 |      |
|------------------|------|------|------|------|------|------|------|------|------|------|------|------|------|------|
|                  | H    | L    | H    | L    | H    | L    | H    | L    | H    | L    | H    | L    | H    | L    |
| 880 TAB, 879 TAB | 40,8 | 66,6 | 46,7 | 67,7 | 52,7 | 68,8 | 58,7 | 69,9 | 64,7 | 72,2 | 70,7 | 74,6 | 76,7 | 76,8 |
| 882 TAB          | 42,7 | 66,9 | 48,6 | 68,1 | 54,6 | 69,1 | 60,6 | 70,2 | -    | -    | -    | -    | -    | -    |
| LPC 279          | 50,2 | 68,3 | 56,1 | 69,4 | 62,1 | 71,2 | 68,1 | 73,5 | 74,1 | 75,8 | -    | -    | -    | -    |
| HFP 880 TAB      | 42,8 | 67,0 | 48,7 | 68,1 | 54,7 | 69,2 | 60,7 | 70,2 | 66,7 | 73,0 | 72,7 | 75,3 | -    | -    |
| HFP 882 TAB      | 45,2 | 67,4 | 51,1 | 68,5 | 57,1 | 69,6 | 63,1 | 71,6 | -    | -    | -    | -    | -    | -    |
| SLBP 882 TAB     | 57,2 | 69,6 | 63,1 | 71,6 | 69,1 | 73,9 | 75,1 | 76,2 | -    | -    | -    | -    | -    | -    |

# Technical information

| Chain                     | Z 12 |      | Z 16 |      | Z 21 |      | Z 23 |      | Z 24 |      | Z 25 |      | Z 27 |      | Z 32 |      |
|---------------------------|------|------|------|------|------|------|------|------|------|------|------|------|------|------|------|------|
|                           | H    | L    | H    | L    | H    | L    | H    | L    | H    | L    | H    | L    | H    | L    | H    | L    |
| 1505 - 1506               | 11,5 | 60,0 | 20,9 | 62,3 | -    | -    | -    | -    | 40,0 | 66,4 | -    | -    | -    | -    | 59,0 | 69,9 |
| 4705 - 4706 - 5705 - 5706 | 57,5 | 69,6 | -    | -    | 48,5 | 68,0 | 54,5 | 69,1 | 57,5 | 69,6 | 60,5 | 70,2 | 66,5 | 72,9 | -    | -    |
| HFP 5705                  | -    | -    | -    | -    | 51,0 | 68,5 | 57,0 | 69,9 | 60,0 | 70,1 | 63,0 | 71,5 | 69,0 | 73,9 | -    | -    |

H, L dimensions for  
MatTop® chains

| Chain              | Z 7  |      | Z 8  |      | Z 9  |      | Z 10 |      | Z 11 |      | Z 12 |      | Z 19 |      | Z 19 |      |
|--------------------|------|------|------|------|------|------|------|------|------|------|------|------|------|------|------|------|
|                    | H    | L    | H    | L    | H    | L    | H    | L    | H    | L    | H    | L    | H    | L    | H    | L    |
| 2100               | -    | -    | -    | -    | -    | -    | -    | -    | 27,0 | 63,7 | -    | -    | 9,2  | 59,3 | 59,1 | 69,9 |
| 4812               | -    | -    | 32,5 | 64,9 | -    | -    | -    | -    | -    | -    | 56,3 | 69,4 | -    | -    | -    | -    |
| 5996               | 52,5 | 68,8 | -    | -    | 70,1 | 74,3 | -    | -    | -    | -    | -    | -    | -    | -    | -    | -    |
| 6390 - 6391 - 6392 | -    | -    | 49,8 | 68,3 | -    | -    | 65,4 | 72,5 | -    | -    | -    | -    | -    | -    | -    | -    |

| Chain                     | Z 10 |      | Z 16 |      | Z 18 |      | Z 21 |      | Z 24 |      | Z 25 |      | Z 31 |      |  |  |
|---------------------------|------|------|------|------|------|------|------|------|------|------|------|------|------|------|--|--|
|                           | H    | L    | H    | L    | H    | L    | H    | L    | H    | L    | H    | L    | H    | L    |  |  |
| 5935 - 5936 - 8505 - 8506 | 13,0 | 60,4 | -    | -    | -    | -    | -    | -    | 55,6 | 69,3 | 58,6 | 69,8 | 76,9 | 76,9 |  |  |
| 7705 - 7706               | -    | -    | 49,0 | 68,1 | 57,0 | 69,6 | 69,1 | 73,9 | -    | -    | -    | -    | -    | -    |  |  |

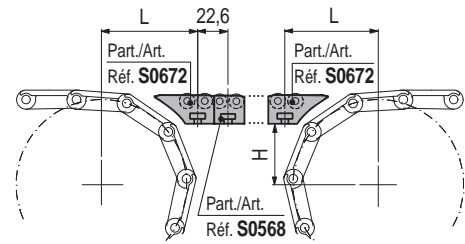
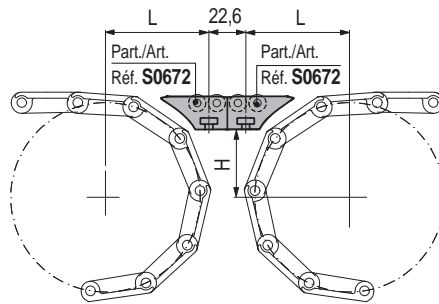
| Chain | Z 28 |      |  |  |
|-------|------|------|--|--|
|       | H    | L    |  |  |
| 500   | 38,6 | 66,1 |  |  |
| 505   | 40,6 | 66,5 |  |  |

H, L dimensions for  
MCC chains

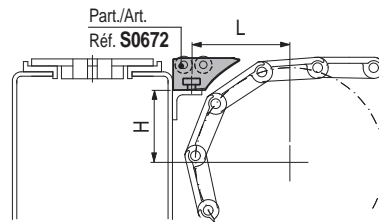
| Chain | Z 10 |      | Z 12 |      | Z 13 |      | Z 15 |      | Z 16 |      | Z 18 |      | Z 20 |      | Z 21 |      |
|-------|------|------|------|------|------|------|------|------|------|------|------|------|------|------|------|------|
|       | H    | L    | H    | L    | H    | L    | H    | L    | H    | L    | H    | L    | H    | L    | H    | L    |
| 1000  | -    | -    | 31,0 | 64,6 | -    | -    | -    | -    | 47,0 | 67,8 | 55,0 | 69,2 | 63,1 | 70,6 | -    | -    |
| 1005  | -    | -    | -    | -    | -    | -    | -    | -    | -    | -    | 57,0 | 69,6 | -    | -    | 69,1 | 73,9 |
| 1050  | -    | -    | -    | -    | -    | -    | -    | -    | 54,8 | 69,2 | 62,8 | 71,5 | -    | -    | -    | -    |
| 1055  | -    | -    | -    | -    | -    | -    | -    | -    | 58,8 | 69,9 | 66,8 | 73,1 | -    | -    | -    | -    |
| 1255  | 35,3 | 65,5 | -    | -    | 50,2 | 68,4 | 60,3 | 70,1 | 65,3 | 72,4 | -    | -    | -    | -    | -    | -    |

**Position of transfer modules  
Part. S0672 - S0568 - S0846**

• **Head to tail transfer**



• **90° transfer**



**H, L dimensions for  
TableTop® chains**

| Chain                         | Z 15 |      | Z 17 |      | Z 19 |      | Z 21 |      | Z 23 |      | Z 25 |      | Z 27 |      | Z 29 |      |
|-------------------------------|------|------|------|------|------|------|------|------|------|------|------|------|------|------|------|------|
|                               | H    | L    | H    | L    | H    | L    | H    | L    | H    | L    | H    | L    | H    | L    | H    | L    |
| 802 - 805 - 812 - 815 - 881   | 30,9 | 56,8 | 36,8 | 58,2 | 42,8 | 60,9 | 48,7 | 63,7 | 54,7 | 66,3 | 60,7 | 68,8 | 66,7 | 71,2 | 72,7 | 73,5 |
| 881 M - 8811 - 8811 TAB       | 30,9 | 56,8 | 36,8 | 58,2 | 42,8 | 60,9 | 48,7 | 63,7 | 54,7 | 66,3 | 60,7 | 68,8 | 66,7 | 71,2 | 72,7 | 73,5 |
| 512                           | 45,2 | 62,0 | 53,2 | 65,6 | 61,3 | 69,0 | 69,3 | 72,2 | -    | -    | -    | -    | -    | -    | -    | -    |
| 1864 - 1874 - 4874            | 37,3 | 65,0 | 43,3 | 65,3 | 49,4 | 68,2 | 55,4 | 70,9 | 61,5 | 73,6 | 67,5 | 76,1 | -    | -    | -    | -    |
| 820                           | 31,5 | 57,6 | 37,4 | 59,0 | 43,4 | 61,6 | 49,3 | 64,3 | 55,3 | 67,0 | 61,3 | 69,5 | 67,3 | 71,9 | 73,3 | 74,2 |
| 821                           | 32,3 | 58,0 | 38,2 | 59,4 | 44,2 | 62,1 | 50,1 | 64,8 | 56,1 | 67,4 | 62,1 | 69,9 | 68,1 | 72,3 | 74,1 | 74,7 |
| 843                           | 17,1 | 57,3 | 21,2 | 58,6 | 25,2 | 59,8 | 29,2 | 61,0 | 33,2 | 62,1 | 37,3 | 63,2 | -    | -    | -    | -    |
| 845                           | 17,1 | 55,4 | 21,2 | 56,6 | 25,2 | 57,8 | 29,2 | 58,9 | 33,2 | 59,9 | 37,3 | 60,9 | -    | -    | -    | -    |
| 963                           | 37,3 | 65,2 | 43,3 | 65,4 | 49,4 | 68,3 | 55,4 | 71,1 | 61,5 | 73,7 | 67,5 | 76,3 | -    | -    | -    | -    |
| 1873 - 1853 - 853             | 37,3 | 60,7 | 43,3 | 62,6 | 49,4 | 65,4 | 55,4 | 68,1 | 61,5 | 70,7 | 67,5 | 73,1 | 73,5 | 75,5 | -    | -    |
| 1843                          | 17,9 | 55,5 | 22,0 | 56,7 | 26,0 | 57,8 | 30,0 | 58,9 | 34,0 | 59,9 | 38,1 | 60,9 | -    | -    | -    | -    |
| 812 Rub. Top - 881 Rub. Top   | 32,9 | 57,3 | 38,8 | 58,6 | 44,8 | 61,9 | 50,7 | 64,6 | 56,7 | 67,1 | 62,7 | 69,6 | 68,7 | 72,0 | 74,7 | 74,3 |
| 802 Rub. Top                  | 33,9 | 57,5 | 39,8 | 58,8 | 45,8 | 62,3 | 51,7 | 65,0 | 57,7 | 67,5 | 63,7 | 70,0 | 69,7 | 72,4 | 75,7 | 74,7 |
| HFP 820                       | 33,5 | 57,4 | 39,4 | 58,8 | 45,4 | 62,1 | 51,3 | 64,8 | 57,3 | 67,4 | 63,3 | 69,8 | 69,3 | 72,2 | 75,3 | 74,5 |
| HFP 821                       | 34,3 | 57,6 | 40,2 | 58,9 | 46,2 | 62,5 | 52,1 | 65,2 | 58,1 | 67,7 | 64,1 | 70,2 | 70,1 | 72,5 | 76,1 | 74,8 |
| HFP 867 - HFP 1877 - HFP 1873 | 40,3 | 59,0 | 46,3 | 62,6 | 52,4 | 65,3 | 58,4 | 67,8 | 64,5 | 70,3 | 70,5 | 72,7 | 76,5 | 75,0 | -    | -    |
| SLBP 821                      | 47,3 | 63,0 | 53,2 | 65,6 | 59,2 | 68,2 | 65,1 | 70,6 | 71,1 | 72,9 | 77,1 | 75,2 | -    | -    | -    | -    |

| Chain            | Z 9  |      | Z 10 |      | Z 11 |      | Z 12 |      | Z 13 |      | Z 14 |      | Z 15 |      |
|------------------|------|------|------|------|------|------|------|------|------|------|------|------|------|------|
|                  | H    | L    | H    | L    | H    | L    | H    | L    | H    | L    | H    | L    | H    | L    |
| 880 TAB, 879 TAB | 40,8 | 59,1 | 46,7 | 62,8 | 52,7 | 65,4 | 58,7 | 68,0 | 64,7 | 70,4 | 70,7 | 72,8 | 76,7 | 75,0 |
| 882 TAB          | 42,7 | 60,9 | 48,6 | 63,6 | 54,6 | 66,2 | 60,6 | 68,7 | -    | -    | -    | -    | -    | -    |
| LPC 279          | 50,2 | 64,3 | 56,1 | 66,9 | 62,1 | 69,4 | 68,1 | 71,7 | 74,1 | 74,0 | -    | -    | -    | -    |
| HFP 880 TAB      | 42,8 | 60,9 | 48,7 | 63,7 | 54,7 | 66,3 | 60,7 | 68,8 | 66,7 | 71,2 | 72,7 | 73,5 | -    | -    |
| HFP 882 TAB      | 45,2 | 62,1 | 51,1 | 64,7 | 57,1 | 67,3 | 63,1 | 69,8 | -    | -    | -    | -    | -    | -    |
| SLBP 882 TAB     | 57,2 | 67,3 | 63,1 | 69,8 | 69,1 | 72,1 | 75,1 | 74,4 | -    | -    | -    | -    | -    | -    |

# Technical information

## H, L dimensions for MatTop® chains

| Chain                     | Z 12 |      | Z 16 |      | Z 21 |      | Z 23 |      | Z 24 |      | Z 25 |      | Z 27 |      | Z 32 |      |
|---------------------------|------|------|------|------|------|------|------|------|------|------|------|------|------|------|------|------|
|                           | H    | L    | H    | L    | H    | L    | H    | L    | H    | L    | H    | L    | H    | L    | H    | L    |
| 1505 - 1506               | 11,5 | 51,5 | 20,9 | 54,2 | -    | -    | -    | -    | 40,0 | 58,9 | -    | -    | -    | -    | 59,0 | 68,1 |
| 4705 - 4706 - 5705 - 5706 | 57,5 | 67,5 | -    | -    | 48,5 | 63,6 | 54,5 | 66,2 | 57,5 | 67,5 | 60,5 | 68,7 | 66,5 | 71,1 | -    | -    |
| HFP 5705                  | -    | -    | -    | -    | 51,0 | 64,7 | 57,0 | 67,3 | 60,0 | 68,5 | 63,0 | 69,7 | 69,0 | 72,1 | -    | -    |

| Chain              | Z 7  |      | Z 8  |      | Z 9  |      | Z 10 |      | Z 11 |      | Z 12 |      | Z 19 |      | Z 19 |      |
|--------------------|------|------|------|------|------|------|------|------|------|------|------|------|------|------|------|------|
|                    | H    | L    | H    | L    | H    | L    | H    | L    | H    | L    | H    | L    | H    | L    | H    | L    |
| 2100               | -    | -    | -    | -    | -    | -    | -    | -    | 27,0 | 55,8 | -    | -    | 9,2  | 50,8 | 59,1 | 68,1 |
| 4812               | -    | -    | 32,5 | 57,2 | -    | -    | -    | -    | -    | -    | 56,3 | 67,0 | -    | -    | -    | -    |
| 5996               | 52,5 | 65,3 | -    | -    | 70,1 | 72,5 | -    | -    | -    | -    | -    | -    | -    | -    | -    | -    |
| 6390 - 6391 - 6392 | -    | -    | 49,8 | 64,2 | -    | -    | 65,4 | 70,7 | -    | -    | -    | -    | -    | -    | -    | -    |

| Chain                     | Z 10 |       | Z 16 |      | Z 18 |      | Z 21 |      | Z 24 |      | Z 25 |      | Z 31 |      |  |  |
|---------------------------|------|-------|------|------|------|------|------|------|------|------|------|------|------|------|--|--|
|                           | H    | L     | H    | L    | H    | L    | H    | L    | H    | L    | H    | L    | H    | L    |  |  |
| 5935 - 5936 - 8505 - 8506 | 13,0 | 52,00 | -    | -    | -    | -    | -    | -    | 55,6 | 66,6 | 58,6 | 67,9 | 76,9 | 75,1 |  |  |
| 7705 - 7706               | -    | -     | 49,0 | 63,8 | 57,0 | 67,3 | 69,1 | 72,1 | -    | -    | -    | -    | -    | -    |  |  |

## H, L dimensions for MCC chains

| Chain | Z 28 |      |  |  |
|-------|------|------|--|--|
|       | H    | L    |  |  |
| 500   | 38,6 | 58,6 |  |  |
| 505   | 40,6 | 59,0 |  |  |

| Chain | Z 10 |      | Z 12 |      | Z 13 |      | Z 15 |      | Z 16 |      | Z 18 |      | Z 20 |      | Z 21 |      |
|-------|------|------|------|------|------|------|------|------|------|------|------|------|------|------|------|------|
|       | H    | L    | H    | L    | H    | L    | H    | L    | H    | L    | H    | L    | H    | L    | H    | L    |
| 1000  | -    | -    | 31,0 | 56,8 | -    | -    | -    | -    | 47,0 | 62,9 | 55,0 | 66,4 | 63,1 | 69,8 | -    | -    |
| 1005  | -    | -    | -    | -    | -    | -    | -    | -    | -    | -    | 57,0 | 67,3 | -    | -    | 69,1 | 72,1 |
| 1050  | -    | -    | -    | -    | -    | -    | -    | -    | 54,8 | 66,3 | 62,8 | 69,7 | -    | -    | -    | -    |
| 1055  | -    | -    | -    | -    | -    | -    | -    | -    | 58,8 | 68,0 | 66,8 | 71,3 | -    | -    | -    | -    |
| 1255  | 35,3 | 57,8 | -    | -    | 50,2 | 64,3 | 60,3 | 68,6 | 65,3 | 70,6 | -    | -    | -    | -    | -    | -    |

**ARTICULATED FEET**  
in reinforced polyamide

Pag. R08 - R27



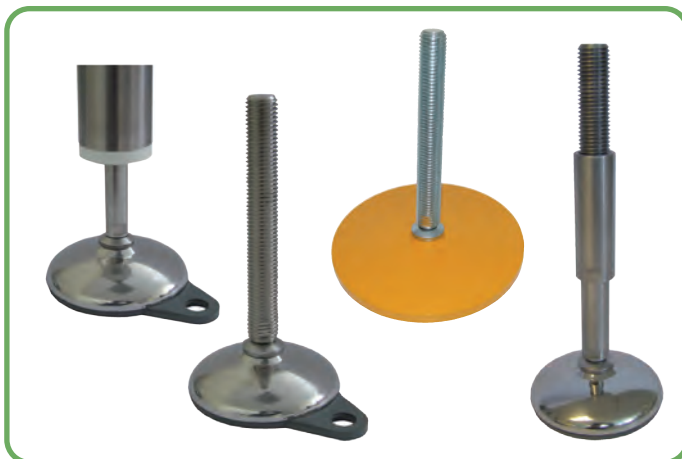
**ARTICULATED FEET**  
**GRIPPER**  
in reinforced polypropylene  
and stainless steel

Pag. R28 - R39



**ARTICULATED FEET**  
in steel

Pag. R40 - R47



**FIXED FEET**  
in reinforced polyamide  
and reinforced rubber

Pag. R48 - R49



## FIXED FEET in steel

Pag. R50 - R52



## VIBRATION ABSORBING FEET in steel

Pag. R53



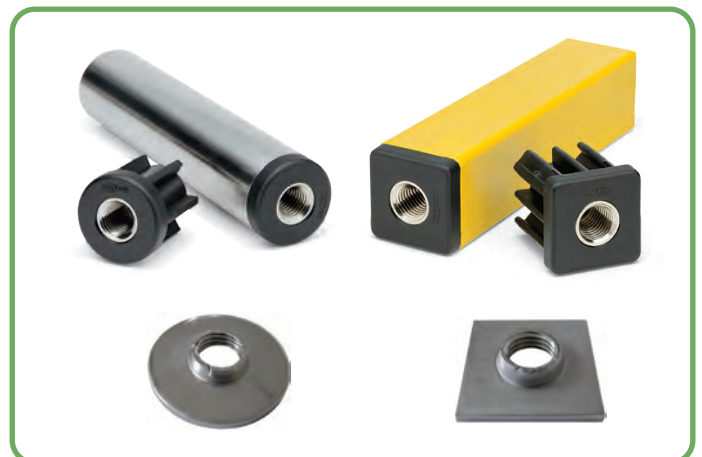
## ANTI-SLIP SUPPORTS in steel and rubber

Pag. R54 - R55



## THREADED BUSHINGS for round and square tubes

Pag. R56 - R59





**ARTICULATED FEET**  
in  
reinforced polyamide



Part. R0269 - Pag. R08 - R09  
Ø 40 • Max. load 10000 N.



Part. R0552 - Pag. R10 - R11  
Ø 40 • Max. load 5000 N.



Part. R0173 - Pag. R12 - R13  
Ø 50 • Max. load 10000 N.



Part. R0098 - Pag. R14 - R15  
Ø 60 • Max. load 12000 N.



Part. R0094 - Pag. R16 - R17  
Ø 60 • Prefitting for fixing  
• Max. load 12000 N.



Part. R0323 - Pag. R18 - R19  
Ø 80 • Prefitting for fixing  
• Max. load 10000 N.



Part. R0133 - Pag. R20 - R21  
Ø 100 • Prefitting for fixing  
• Max. load 13000 N.



Part. R0479 - Pag. R22 - R23  
Ø 110 • Prefitting for fixing  
• Max. load 20000 N.



Part. R0869 - Pag. R24  
Ø 124 • Prefitting for fixing  
• Max. load 45000 N.



Part. R0169 - Pag. R25  
Ø 124 • Prefitting for fixing  
• Max. load 45000 N.



Part. R0134 - Pag. R26  
Ø 100 • Prefitting for fixing  
• Max. load 20000 N.



Part. R0297 - Pag. R27  
Ø 124 • Prefitting for fixing  
• Max. load 45000 N.



Part. R0726 - Pag. R24 - R25 - R27  
Ø 170 • Spacer for  
Réf. R0869 - R0169 - R0297.

**ARTICULATED FEET GRIPPER**  
in  
reinforced polypropylene



Part. R0626 - Pag. R28 - R29  
Ø 80 • Hygiene  
• Customized with logo  
• Max. load 12000 N.



Part. R0622 - Pag. R32 - R33  
Ø 100 • Hygiene  
• Customized with logo  
• Max. load 19500 N.



Part. R0628 - Pag. R36 - R37  
Ø 120 • Hygiene  
• Customized with logo  
• Max. load 22000 N.

**ARTICULATED FEET GRIPPER**  
in  
stainless steel



Part. R0627 - Pag. R30 - R31  
Ø 80 • Hygiene  
• Customized with logo  
• Max. load 12000 N.



Part. R0623 - Pag. R34 - R35  
Ø 100 • Hygiene  
• Customized with logo  
• Max. load 19500 N.



Part. R0629 - Pag. R38 - R39  
Ø 120 • Hygiene  
• Customized with logo  
• Max. load 22000 N.

Product range

ARTICULATED  
FEET  
in  
steel

NEW



Part. R0441 - Pag. R40  
Ø 123 • N. 2 holes  
• Zinc plated steel  
• Max. load 10000 N.

NEW



Part. R0349 - Pag. R40  
Ø 123 • N. 4 holes • Stainless  
steel and zinc plated steel  
• Max. load 10000 N.

NEW



Part. R0408 - Pag. R41  
Ø 160 • Painted steel  
• Max. load 50000 N.



Part. R0747 - Pag. R42  
Ø 80 • Stainless steel  
• Hygiene • Max. load 25000 N.



Part. R0748 - Pag. R42  
Ø 100 • Stainless steel  
• Hygiene • Max. load 25000 N.



Part. R0749 - Pag. R42  
Ø 120 • Stainless steel  
• Hygiene • Max. load 25000 N.



Part. R0747F - Pag. R43  
Ø 80 • Stainless steel  
• Hygiene • Prefitting for fixing  
• Max. load 25000 N.



Part. R0748F - Pag. R43  
Ø 100 • Stainless steel  
• Hygiene • Prefitting for fixing  
• Max. load 25000 N.



Part. R0750 - Pag. R44  
Ø 80 • Stainless steel  
• Hygiene • Max. load 12000 N.



Part. R0751 - Pag. R44  
Ø 100 • Stainless steel  
• Hygiene • Max. load 12000 N.



Part. R0752 - Pag. R44  
Ø 120 • Stainless steel  
• Hygiene • Max. load 12000 N.



Part. R0750F - Pag. R45  
Ø 80 • Stainless steel  
• Hygiene • Prefitting for fixing  
• Max. load 12000 N.



Part. R0751F - Pag. R45  
Ø 100 • Stainless steel  
• Hygiene • Prefitting for fixing  
• Max. load 12000 N.



Part. R0750S - Pag. R46  
Ø 80 • Stainless steel  
• Hygiene • Max. load 25000 N.



Part. R0751S - Pag. R46  
Ø 100 • Stainless steel  
• Hygiene • Max. load 50000 N.



Part. R0752S - Pag. R46  
Ø 120 • Stainless steel  
• Hygiene • Max. load 50000 N.



Part. R0750SF - Pag. R47  
Ø 80 • Stainless steel  
• Hygiene • Prefitting for fixing  
• Max. load 25000 N.



Part. R0751SF - Pag. R47  
Ø 100 • Stainless steel  
• Hygiene • Prefitting for fixing  
• Max. load 50000 N.

**FIXED FEET**  
in reinforced polyamide and reinforced rubber



Part. R0600 - Pag. R48  
Ø 50 • Reinforced polyamide  
• Max. load 2000 N.



Part. R0031 - Pag. R49  
Ø 110 • Rubber  
• Max. load 6000 N.

**FIXED FEET**  
in steel



Part. R0403 - Pag. R50  
Ø 100 • Painted steel  
• Max. load 50000 N.



Part. R0528 - Pag. R50  
Ø 100 • Painted steel  
• Max. load 50000 N.



Part. R0406 - Pag. R51  
Ø 123 • Painted steel  
• Max. load 50000 N.



Part. R0529 - Pag. R51  
Ø 123 • Painted steel  
• Max. load 50000 N.



Part. R0383 - Pag. R52  
Ø 40 • Stainless steel  
• Hygiene • Max. load 7000 N.



Part. R0384 - Pag. R52  
Ø 65 • Stainless steel  
• Hygiene • Max. load 12000 N.



Part. R0399 - Pag. R52  
Ø 90 • Stainless steel  
• Hygiene • Max. load 11000 N.



Part. R0385 - Pag. R52  
Ø 110 • Stainless steel  
• Hygiene • Max. load 10000 N.

**AVIBRATION ABSORBING FEET**  
in steel



Part. R0701 - Page R53  
Ø 80 • Zinc plated steel/zinc plated steel painted.



Part. R0702 - Page R53  
Ø 120 • Zinc plated steel/zinc plated steel painted.



Part. R0703 - Page R53  
Ø 160 • Zinc plated steel/zinc plated steel painted.

**ANTI-SLIP SUPPORTS**  
in steel and rubber



Part. R0055 - Page R54  
Ø 110 • Rubber with steel insert  
• Max. load 6000 N.



Part. R0187 - Page R55  
Ø 123 • Rubber with painted steel insert  
• Max. load 20000 N.



Part. R0407 - Page R54 - R55  
Spindle for Part. 55 - 187  
• Zinc plated steel.

## Product range

*THREADED  
BUSHINGS  
for  
round and  
square tubes*



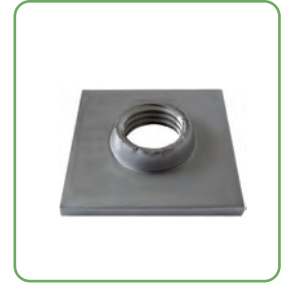
Part. R0180 - Page R56  
For round tubes Ø 26,9-30-  
33,7-38-42,4-48,3-54-60,3  
mm and 1,5"- 2."



Part. R0224 - Page R57  
For square tubes 30-35-40-  
50 mm and 1,5"- 2."



Part. S0710 - Page R58  
For round tubes Ø 26,9-30-  
33,7-38-42,4-48,3-54-60,3  
mm and 1,5"- 2."



Part. S0713 - Page R59  
For square tubes 30-35-40-  
50 mm and 1,5"- 2."

## ■ SPINDLE MATERIALS

### **Stainless steel**

- High resistance to chemicals.
- Excellent resistance to oxidation.
- Operating temperature :  
in air (- 70°C to + 430°C)  
in hot water (+ 120°C)
- Sectors of use  
Humid and corrosive environments. Environments where hygiene regulations are strict and indispensable (food and dairy industry, chemicals-pharmaceuticals, bottling). Electronics industry (where non-magnetic properties are required).

### **Zinc plated steel**

- Operating temperature :  
in air (- 40°C to + 180°C)  
in hot water (+ 120°C)
- Sectors of use  
Moisture-free environments with low corrosion.

### **Nickel plated brass**

- Good resistance to chemicals.
- Operating temperature :  
in air (- 40°C to + 180°C)  
in hot water (+ 120°C)
- Sectors of use  
Humid and wet environments.

### **Reinforced polyamide with steel pin**

- Good resistance to chemicals.
- Operating temperature :  
in air (- 5°C to + 120°C)  
in hot water (+ 100°C)
- Colour: black.
- Sectors of use Industrial, packaging.

## ■ FOOTPLATE MATERIALS

### **Reinforced polyamide PA FV**

- Good mechanical strength.  
Able to withstand high load capacities.
- High thermal resistance.
- Good resistance to chemicals.
- Operating temperature:  
in air (- 30°C to + 120°C)  
in hot water (+ 100°C)
- Colour : black.
- Inflammability : 94HB.

### **Reinforced polypropylene PP FV**

- Recommended in applications requiring high resistance to chemicals and fair mechanical properties (the load capacity is lower than reinforced polyamide).
- Operating temperature :  
in air (+ 5°C to + 115°C)  
in hot water (+ 115°C)
- Colour : black.
- Inflammability : 94HB.

## ■ ANTI-SLIP MATERIALS

### **NBR rubber**

- Operating temperature :  
in air (- 35°C to + 100°C)  
in hot water (+ 80°C)
- Colour : black.
- Inflammability : 94HB

In this new catalogue we have included some new graphic and visual features to aid in the correct **component identification**.

These features are designed to make the catalogue more intuitive and also highlight the Rexnord recommendation for prompt availability.

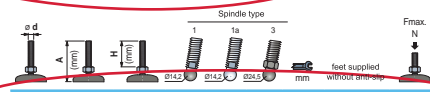
The page layout is as follows.

- 1 ● Best Seller
- 1 ● Standard
- 1 ● On request: Minimum quantity may apply or can be available at our distributors.
  
- 2 Spindle Material.
  
- 3 Reinforced series: right side of the catalogue.
  
- 4 Complete item Code = Part. + Code = R0098 + 626683 = R0098626683.

**4 Part. R0098**

**Articulated Feet**  
in reinforced polyamide

● Best Seller  
● Standard  
● On request



**Spindle in stainless steel**

| M   | a   | d   | H | H1 | H2 | H3 | mm | Fmax, N |
|-----|-----|-----|---|----|----|----|----|---------|
| M12 | 90  | 55  | 1 | -  | -  | -  | 10 | 626683  |
|     | 135 | 100 | 1 | -  | -  | -  | 10 | 626683  |
|     | 185 | 150 | 1 | -  | -  | -  | 10 | 626703  |
| M14 | 110 | 76  | - | 1a | -  | -  | 11 | 626002  |
|     | 100 | 64  | - | 1a | -  | -  | 13 | 626012  |
|     | 115 | 81  | - | 1a | -  | -  | 13 | 626022  |
| M16 | 160 | 124 | - | 1a | -  | -  | 13 | 626032  |
|     | 185 | 151 | - | 1a | -  | -  | 13 | 626042  |
|     | 205 | 169 | - | 1a | -  | -  | 13 | 621283  |
| M20 | 225 | 190 | - | 1a | -  | -  | 13 | 621313  |
|     | 120 | 84  | - | 1a | -  | -  | 16 | 626052  |
|     | 185 | 149 | - | 1a | -  | -  | 16 | 626062  |
| M24 | 245 | 208 | - | 1a | -  | -  | 16 | 621293  |
|     | 120 | 79  | - | 1a | -  | -  | 19 | 626733  |
|     | 185 | 146 | - | 1a | -  | -  | 19 | 626072  |
| M24 | 220 | 179 | - | 1a | -  | -  | 19 | 626743  |
|     | 250 | 200 | - | 1a | -  | -  | 19 | 621303  |

**Spindle in zinc plated steel**

| M   | a   | d   | H | H1 | H2 | H3 | mm | Fmax, N |
|-----|-----|-----|---|----|----|----|----|---------|
| M12 | 90  | 55  | 1 | -  | -  | -  | 10 | 626753  |
| M14 | 90  | 56  | - | 1a | -  | -  | 11 | 626092  |
|     | 85  | 48  | - | 1a | -  | -  | 13 | 626763  |
|     | 95  | 61  | - | 1a | -  | -  | 13 | 626102  |
| M16 | 130 | 96  | - | 1a | -  | -  | 13 | 626112  |
|     | 150 | 116 | - | 1a | -  | -  | 13 | 626122  |
|     | 165 | 131 | - | 1a | -  | -  | 13 | 621343  |
| M20 | 185 | 151 | - | 1a | -  | -  | 13 | 626132  |
|     | 200 | 165 | - | 1a | -  | -  | 13 | 621353  |
|     | 235 | 201 | - | 1a | -  | -  | 13 | 626773  |
| M24 | 115 | 74  | - | 1a | -  | -  | 16 | 626783  |
|     | 135 | 100 | - | 1a | -  | -  | 16 | 626142  |
|     | 150 | 113 | - | 1a | -  | -  | 16 | 621323  |
| M24 | 185 | 150 | - | 1a | -  | -  | 16 | 626152  |
|     | 250 | 214 | - | 1a | -  | -  | 16 | 626162  |
|     | 120 | 81  | - | 1a | -  | -  | 19 | 626172  |
| M24 | 185 | 146 | - | 1a | -  | -  | 19 | 626182  |
|     | 230 | 265 | - | 1a | -  | -  | 19 | 626793  |

**Spindle in reinforced polyamid (black) with steel pin**

| M   | a   | d   | H | H1 | H2 | H3 | mm | Fmax, N |       |
|-----|-----|-----|---|----|----|----|----|---------|-------|
| M16 | 100 | 54  | - | -  | -  | -  | 3  | 24      | 61920 |
| M20 | 120 | 69  | - | -  | -  | -  | 3  | 30      | 51540 |
|     | 180 | 129 | - | -  | -  | -  | 3  | 30      | 51530 |

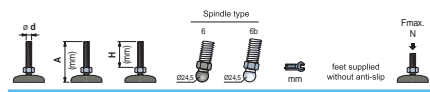
**Code**

| Stainless steel | Zinc plated steel | h          | aD | s  |    |     |
|-----------------|-------------------|------------|----|----|----|-----|
| mm              | mm                | mm         | mm | mm |    |     |
| M12             | R000030182        | R000030122 | 10 | 19 | 24 | 2,5 |
| M14             | R000030202        | R000030132 | 11 | 22 | 28 | 2,5 |
| M16             | R000030212        | R000030142 | 13 | 24 | 30 | 3   |
| M20             | R000030222        | R000030152 | 16 | 30 | 37 | 3   |
| M24             | R000030232        | R000030162 | 19 | 38 | 44 | 4   |

Item code for order = Part. + Code  
- Footplate material: reinforced polyamide PA FV (black).  
- Note: for spindles type 1 ball in reinforced polyamide.  
- Packaging: 24 pieces.  
- Anti-slip supplied separately.  
- On request different length.  
- Fmax. = maximum applicable load in static conditions.

**3 Part. R0098 Reinforced version**

● Best Seller  
● Standard  
● On request



**Spindle in stainless steel**

| M   | a   | d   | H | H1 | H2 | H3 | mm | Fmax, N |
|-----|-----|-----|---|----|----|----|----|---------|
| M12 | 100 | 53  | 6 | -  | -  | -  | 19 | 673671  |
|     | 150 | 103 | 6 | -  | -  | -  | 19 | 673691  |
|     | 195 | 149 | 6 | -  | -  | -  | 19 | 673711  |
| M14 | 150 | 103 | 6 | -  | -  | -  | 19 | 673751  |
|     | 195 | 149 | 6 | -  | -  | -  | 19 | 673771  |
|     | 100 | 53  | 6 | -  | -  | -  | 24 | 673791  |
| M16 | 115 | 74  | - | 6b | -  | -  | 24 | 628782  |
|     | 150 | 109 | - | 6b | -  | -  | 24 | 628792  |
|     | 185 | 144 | - | 6b | -  | -  | 24 | 628802  |
| M20 | 200 | 150 | - | 6b | -  | -  | 24 | 628812  |
|     | 220 | 181 | - | 6b | -  | -  | 24 | 673831N |
|     | 115 | 74  | - | 6b | -  | -  | 24 | 53171N  |
| M24 | 180 | 139 | - | 6b | -  | -  | 24 | 53161N  |
|     | 245 | 204 | - | 6b | -  | -  | 24 | 685641N |
|     | 120 | 79  | - | 6b | -  | -  | 24 | 628862  |
| M24 | 220 | 179 | - | 6b | -  | -  | 24 | 628872  |

**Spindle in zinc plated steel**

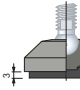
| M   | a   | d   | H | H1 | H2 | H3 | mm | Fmax, N |
|-----|-----|-----|---|----|----|----|----|---------|
| M12 | 110 | 64  | - | -  | -  | -  | 19 | 673511  |
| M16 | 95  | 5   | 6 | 6b | -  | -  | 24 | 628822  |
|     | 130 | 89  | - | 6b | -  | -  | 24 | 628832  |
|     | 160 | 119 | - | 6b | -  | -  | 24 | 628842  |
| M20 | 195 | 154 | - | 6b | -  | -  | 24 | 628852  |
|     | 115 | 76  | - | 6b | -  | -  | 24 | 53151N  |
|     | 150 | 111 | - | 6b | -  | -  | 24 | 61564N  |
| M24 | 180 | 141 | - | 6b | -  | -  | 24 | 52561N  |
|     | 245 | 206 | - | 6b | -  | -  | 24 | 66401N  |
|     | 120 | 79  | - | 6b | -  | -  | 24 | 628882  |
| M24 | 185 | 144 | - | 6b | -  | -  | 24 | 628892  |
|     | 325 | 288 | - | 6b | -  | -  | 24 | 673851N |

**Code**

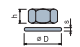
| Stainless steel | Zinc plated steel | h          | aD | s  |    |     |
|-----------------|-------------------|------------|----|----|----|-----|
| mm              | mm                | mm         | mm | mm |    |     |
| M12             | R000030182        | R000030122 | 10 | 19 | 24 | 2,5 |
| M14             | R000030202        | R000030132 | 11 | 22 | 28 | 2,5 |
| M16             | R000030212        | R000030142 | 13 | 24 | 30 | 3   |
| M20             | R000030222        | R000030152 | 16 | 30 | 37 | 3   |
| M24             | R000030232        | R000030162 | 19 | 38 | 44 | 4   |

Item code for order = Part. + Code  
- Footplate material: reinforced polyamide PA FV (black).  
- Note: for spindles type 6 ball in reinforced polyamide.  
- Packaging: 24 pieces.  
- Anti-slip supplied separately.  
- On request different length.  
- Fmax. = maximum applicable load in static conditions.

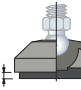
**Accessories**  
Anti-slip



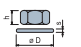
Nut + Washer



**Accessories**  
Anti-slip



Nut + Washer

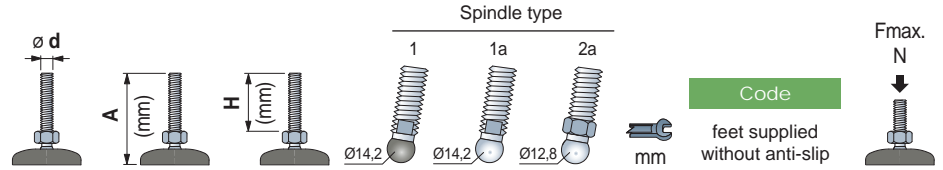


Ø40

# Articulated Feet in reinforced polyamide

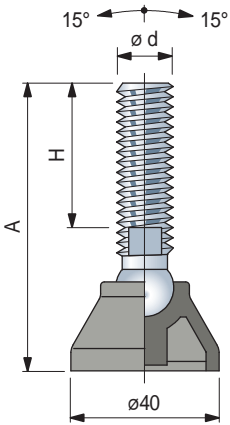
- ✔ Best Seller
- ✔ Standard
- On request

Part. R0269



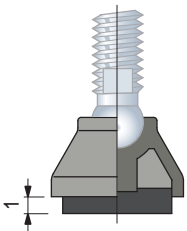
| Spindle in stainless steel |        |        |   |    |    |    |               | Code  | Fmax. N |
|----------------------------|--------|--------|---|----|----|----|---------------|-------|---------|
| M                          | A (mm) | H (mm) | 1 | 1a | 2a | mm |               |       |         |
| M10                        | 105    | 70     | 1 | -  | -  | 8  | <b>626503</b> | 8000  |         |
| M12                        | 105    | 70     | 1 | -  | -  | 10 | <b>626513</b> |       |         |
|                            | 165    | 130    | 1 | -  | -  | 10 | <b>626523</b> |       |         |
| M14                        | 110    | 76     | - | 1a | -  | 13 | <b>626533</b> | 10000 |         |
| M16                        | 115    | 81     | - | 1a | -  | 13 | <b>626543</b> |       |         |
|                            | 165    | 124    | - | 1a | -  | 13 | <b>626553</b> |       |         |

| Spindle in zinc plated steel |        |        |   |    |    |    |               | Code  | Fmax. N |
|------------------------------|--------|--------|---|----|----|----|---------------|-------|---------|
| M                            | A (mm) | H (mm) | 1 | 1a | 2a | mm |               |       |         |
| M8                           | 70     | 40     | - | -  | 2a | 12 | <b>625062</b> | 10000 |         |
|                              | 65     | 33     | - | -  | 2a | 12 | <b>625072</b> |       |         |
| M10                          | 105    | 71     | - | -  | 2a | 12 | <b>625082</b> |       |         |
|                              | 150    | 118    | - | -  | 2a | 12 | <b>625092</b> |       |         |
| M12                          | 80     | 48     | - | -  | 2a | 12 | <b>625102</b> |       |         |
|                              | 100    | 69     | - | -  | 2a | 12 | <b>625112</b> |       |         |
|                              | 130    | 96     | - | -  | 2a | 12 | <b>625122</b> |       |         |
| M14                          | 100    | 68     | - | -  | 2a | 13 | <b>625132</b> |       |         |
|                              | 80     | 47     | - | -  | 2a | 15 | <b>625142</b> |       |         |
| M16                          | 100    | 67     | - | -  | 2a | 15 | <b>625152</b> |       |         |
|                              | 200    | 167    | - | -  | 2a | 15 | <b>625162</b> |       |         |



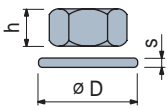
### Accessories

#### Anti-slip



- Code: **R000630002**.
- Material: NBR rubber (black), 70 Shore.
- Assembly: press-fit.
- Packaging: 48 pieces

#### Nut + Washer

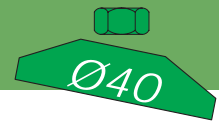


| M   | Code                     |                   | h mm | øD mm | s mm |
|-----|--------------------------|-------------------|------|-------|------|
|     | Stainless steel AISI 304 | Zinc plated steel |      |       |      |
| M8  | -                        | <b>R000630102</b> | 6,5  | 13    | 1,6  |
| M10 | <b>R000630182</b>        | <b>R000630112</b> | 8    | 17    | 2    |
| M12 | <b>R000630192</b>        | <b>R000630122</b> | 10   | 19    | 2,5  |
| M14 | <b>R000630202</b>        | <b>R000630132</b> | 11   | 22    | 2,5  |
| M16 | <b>R000630212</b>        | <b>R000630142</b> | 13   | 24    | 3    |

Packaging: 24 pieces (for M8, M10).  
8 pieces (for M12, M14, M16).

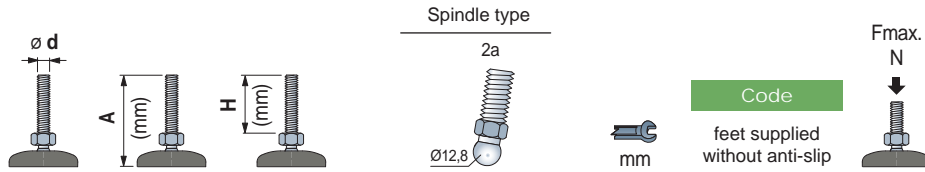
- Item code for order = Part. + Code
- Footplate material: reinforced polyamide PA FV (black).
- Note: for spindles type 1 ball in reinforced polyamide.
- Packaging: 48 pieces.
- Anti-slip supplied separately.
- On request different length.
- Fmax. = maximum applicable load in static conditions.

# Articulated Feet in reinforced polyamide



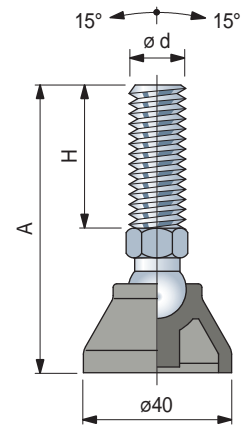
- Best Seller
- Standard
- On request

Part. R0269



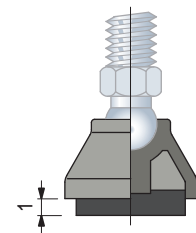
| Spindle in stainless steel |     |     |    |    |        |       |
|----------------------------|-----|-----|----|----|--------|-------|
| M10                        | 105 | 71  | 2a | 12 | 625002 | 10000 |
| M12                        | 100 | 69  | 2a | 12 | 625012 |       |
|                            | 165 | 132 | 2a | 12 | 625022 |       |
| M14                        | 100 | 68  | 2a | 13 | 625032 |       |
| M16                        | 105 | 72  | 2a | 15 | 625042 |       |
|                            | 165 | 132 | 2a | 15 | 625052 |       |

- Item code for order = Part. + Code
- Footplate material: reinforced polyamide PA FV (black).
  - Packaging: 48 pieces.
  - Anti-slip supplied separately.
  - On request different length.
  - Fmax. = maximum applicable load in static conditions.



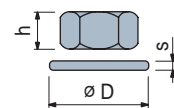
## Accessories

### Anti-slip



- Code: **R0000630002**.
- Material: NBR rubber (black), 70 Shore.
- Assembly: press-fit.
- Packaging: 48 pieces

### Nut + Washer



| Code                        |                      | h           | ØD  | s  |    |     |
|-----------------------------|----------------------|-------------|-----|----|----|-----|
| Stainless steel<br>AISI 304 | Zinc plated<br>steel | mm          | mm  | mm |    |     |
| M8                          | -                    | R0000630102 | 6,5 | 13 | 17 | 1,6 |
| M10                         | R0000630182          | R0000630112 | 8   | 17 | 21 | 2   |
| M12                         | R0000630192          | R0000630122 | 10  | 19 | 24 | 2,5 |
| M14                         | R0000630202          | R0000630132 | 11  | 22 | 28 | 2,5 |
| M16                         | R0000630212          | R0000630142 | 13  | 24 | 30 | 3   |

Packaging: 24 pieces (for M8, M10),  
8 pieces (for M12, M14, M16).

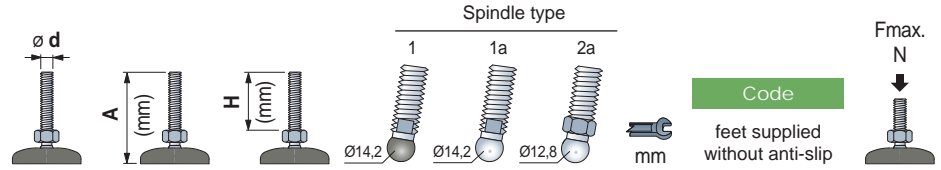


Ø40

# Articulated Feet in reinforced polyamide

- ✔ Best Seller
- ✔ Standard
- On request

Part. R0552

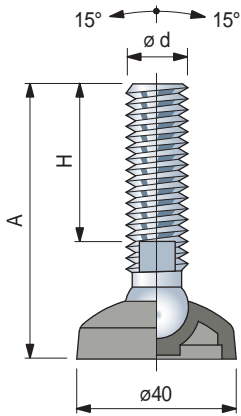


| Spindle in stainless steel |     |     |   |    |   |    |               |
|----------------------------|-----|-----|---|----|---|----|---------------|
| M10                        | 95  | 70  | 1 | -  | - | 8  | <b>626563</b> |
| M12                        | 95  | 70  | 1 | -  | - | 10 | <b>626573</b> |
|                            | 155 | 130 | 1 | -  | - | 10 | <b>626583</b> |
| M14                        | 100 | 76  | - | 1a | - | 13 | <b>626593</b> |
| M16                        | 105 | 81  | - | 1a | - | 13 | <b>626603</b> |
|                            | 155 | 124 | - | 1a | - | 13 | <b>626613</b> |

5000

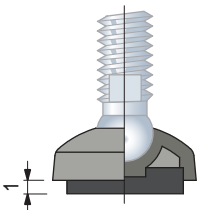
| Spindle in zinc plated steel |     |     |   |   |    |    |               |
|------------------------------|-----|-----|---|---|----|----|---------------|
| M8                           | 60  | 40  | - | - | 2a | 12 | <b>625562</b> |
|                              | 55  | 33  | - | - | 2a | 12 | <b>625572</b> |
| M10                          | 95  | 71  | - | - | 2a | 12 | <b>625582</b> |
|                              | 140 | 118 | - | - | 2a | 12 | <b>625592</b> |
| M12                          | 70  | 48  | - | - | 2a | 12 | <b>625602</b> |
|                              | 90  | 69  | - | - | 2a | 12 | <b>625612</b> |
|                              | 120 | 96  | - | - | 2a | 12 | <b>625622</b> |
| M14                          | 90  | 68  | - | - | 2a | 13 | <b>625632</b> |
|                              | 70  | 47  | - | - | 2a | 15 | <b>625642</b> |
| M16                          | 90  | 67  | - | - | 2a | 15 | <b>625652</b> |
|                              | 190 | 167 | - | - | 2a | 15 | <b>625662</b> |

5000



### Accessories

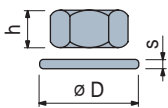
#### Anti-slip



- Code: **R0000630002**.
- Material: NBR rubber (black), 70 Shore.
- Assembly: press-fit.
- Packaging: 48 pieces

- Item code for order = Part. + Code
- Footplate material: reinforced polyamide PA FV (black).
- Note: for spindles type 1 ball in reinforced polyamide.
- Packaging: 48 pieces.
- Anti-slip supplied separately.
- On request different length.
- Fmax. = maximum applicable load in static conditions.

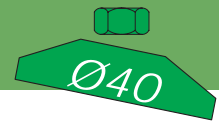
### Nut + Washer



|     | Code                        |                      | h<br>mm | ØD<br>mm | s<br>mm |
|-----|-----------------------------|----------------------|---------|----------|---------|
|     | Stainless steel<br>AISI 304 | Zinc plated<br>steel |         |          |         |
| M8  | -                           | <b>R0000630102</b>   | 6,5     | 13       | 1,6     |
| M10 | <b>R0000630182</b>          | <b>R0000630112</b>   | 8       | 17       | 2       |
| M12 | <b>R0000630192</b>          | <b>R0000630122</b>   | 10      | 19       | 2,5     |
| M14 | <b>R0000630202</b>          | <b>R0000630132</b>   | 11      | 22       | 2,5     |
| M16 | <b>R0000630212</b>          | <b>R0000630142</b>   | 13      | 24       | 3       |

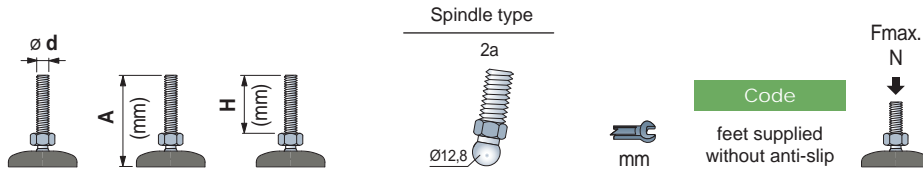
Packaging: 24 pieces (for M8, M10).  
8 pieces (for M12, M14, M16).

# Articulated Feet in reinforced polyamide



- Best Seller
- Standard
- ✓ On request

Part. R0552

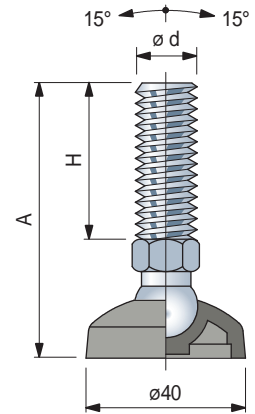


**Code**  
feet supplied  
without anti-slip

| Spindle in stainless steel |     |     |    |    |        |
|----------------------------|-----|-----|----|----|--------|
| M10                        | 95  | 71  | 2a | 12 | 625502 |
| M12                        | 90  | 69  | 2a | 12 | 625512 |
|                            | 155 | 132 | 2a | 12 | 625522 |
| M14                        | 90  | 68  | 2a | 13 | 625532 |
| M16                        | 95  | 72  | 2a | 15 | 625542 |
|                            | 155 | 132 | 2a | 15 | 625552 |

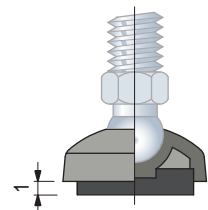
5000

- Item code for order = Part. + Code
- Footplate material: reinforced polyamide PA FV (black).
  - Packaging: 48 pieces.
  - Anti-slip supplied separately.
  - On request different length.
  - Fmax. = maximum applicable load in static conditions.



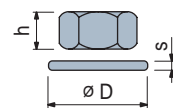
### Accessories

#### Anti-slip



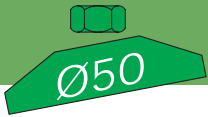
- Code: **R0000630002**.
- Material: NBR rubber (black), 70 Shore.
- Assembly: press-fit.
- Packaging: 48 pieces

#### Nut + Washer



| Code                        |                      | h           | øD  | s  |    |     |
|-----------------------------|----------------------|-------------|-----|----|----|-----|
| Stainless steel<br>AISI 304 | Zinc plated<br>steel | mm          | mm  | mm |    |     |
| M8                          | -                    | R0000630102 | 6,5 | 13 | 17 | 1,6 |
| M10                         | R0000630182          | R0000630112 | 8   | 17 | 21 | 2   |
| M12                         | R0000630192          | R0000630122 | 10  | 19 | 24 | 2,5 |
| M14                         | R0000630202          | R0000630132 | 11  | 22 | 28 | 2,5 |
| M16                         | R0000630212          | R0000630142 | 13  | 24 | 30 | 3   |

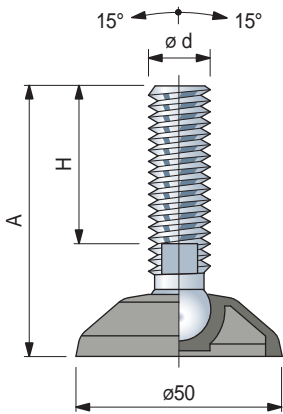
Packaging: 24 pieces (for M8, M10),  
8 pieces (for M12, M14, M16).



# Articulated Feet in reinforced polyamide

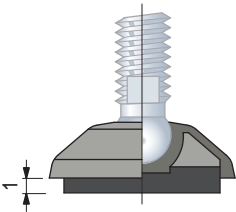
- Best Seller
- Standard
- On request

Part. R0173



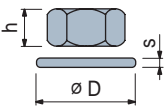
### Accessories

#### Anti-slip



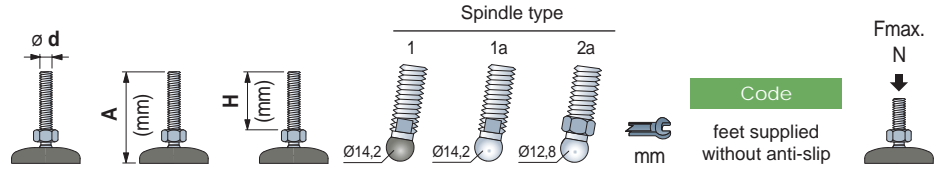
- Code: **R0000630012**.
- Material: NBR rubber (black), 70 Shore.
- Assembly: press-fit.
- Packaging: 24 pieces

#### Nut + Washer



| Code                        |                      | h           | øD  | s  |    |     |
|-----------------------------|----------------------|-------------|-----|----|----|-----|
| Stainless steel<br>AISI 304 | Zinc plated<br>steel | mm          | mm  | mm |    |     |
| M8                          | -                    | R0000630102 | 6,5 | 13 | 17 | 1,6 |
| M10                         | R0000630182          | R0000630112 | 8   | 17 | 21 | 2   |
| M12                         | R0000630192          | R0000630122 | 10  | 19 | 24 | 2,5 |
| M14                         | R0000630202          | R0000630132 | 11  | 22 | 28 | 2,5 |
| M16                         | R0000630212          | R0000630142 | 13  | 24 | 30 | 3   |

Packaging: 24 pieces (for M8, M10).  
8 pieces (for M12, M14, M16).



#### Spindle in stainless steel

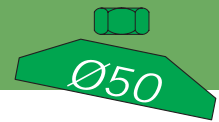
| Code | A (mm) | H (mm) | Spindle type | mm | Fmax. N |
|------|--------|--------|--------------|----|---------|
| M10  | 95     | 70     | 1            | 8  | 8000    |
| M12  | 95     | 70     | 1            | 10 |         |
|      | 155    | 130    | 1            | 10 |         |
| M14  | 100    | 76     | -            | 1a | 10000   |
| M16  | 105    | 81     | -            | 1a |         |
|      | 155    | 124    | -            | 1a |         |

#### Spindle in zinc plated steel

| Code | A (mm) | H (mm) | Spindle type | mm | Fmax. N |
|------|--------|--------|--------------|----|---------|
| M8   | 60     | 40     | -            | 2a | 10000   |
|      | 55     | 33     | -            | 2a |         |
| M10  | 95     | 71     | -            | 2a | 10000   |
|      | 140    | 118    | -            | 2a |         |
| M12  | 70     | 48     | -            | 2a | 10000   |
|      | 90     | 69     | -            | 2a |         |
|      | 120    | 96     | -            | 2a |         |
| M14  | 90     | 68     | -            | 2a | 10000   |
|      | 70     | 47     | -            | 2a |         |
| M16  | 90     | 67     | -            | 2a | 10000   |
|      | 190    | 167    | -            | 2a |         |

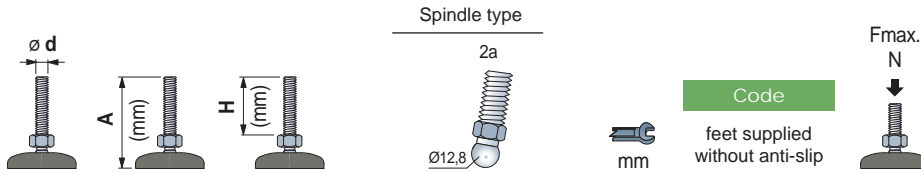
- Item code for order = Part. + Code
- Footplate material: reinforced polyamide PA FV (black).
  - Note: for spindles type 1 ball in reinforced polyamide.
  - Packaging: 24 pieces.
  - Anti-slip supplied separately.
  - On request different length.
  - Fmax. = maximum applicable load in static conditions.

# Articulated Feet in reinforced polyamide



- Best Seller
- Standard
- ✓ On request

Part. R0173

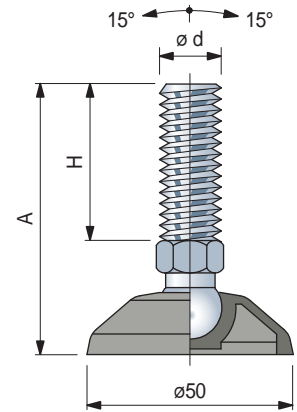


| Spindle in stainless steel |     |     |    |    |        |
|----------------------------|-----|-----|----|----|--------|
| M10                        | 95  | 71  | 2a | 12 | 625252 |
| M12                        | 90  | 69  | 2a | 12 | 625262 |
|                            | 155 | 132 | 2a | 12 | 625272 |
| M14                        | 90  | 68  | 2a | 13 | 625282 |
| M16                        | 95  | 72  | 2a | 15 | 625292 |
|                            | 155 | 132 | 2a | 15 | 625302 |

10000

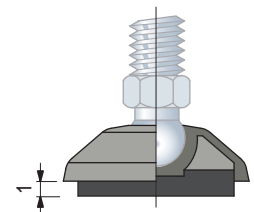


- Item code for order = Part. + Code
- Footplate material: reinforced polyamide PA FV (black).
  - Packaging: 24 pieces.
  - Anti-slip supplied separately.
  - On request different length.
  - Fmax. = maximum applicable load in static conditions.



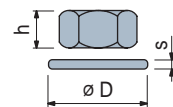
### Accessories

#### Anti-slip



- Code: **R0000630012**.
- Material: NBR rubber (black), 70 Shore.
- Assembly: press-fit.
- Packaging: 24 pieces

#### Nut + Washer






| Code                        |                      | h           | s   | ØD |    |     |
|-----------------------------|----------------------|-------------|-----|----|----|-----|
| Stainless steel<br>AISI 304 | Zinc plated<br>steel | mm          | mm  | mm |    |     |
| M8                          | -                    | R0000630102 | 6,5 | 13 | 17 | 1,6 |
| M10                         | R0000630182          | R0000630112 | 8   | 17 | 21 | 2   |
| M12                         | R0000630192          | R0000630122 | 10  | 19 | 24 | 2,5 |
| M14                         | R0000630202          | R0000630132 | 11  | 22 | 28 | 2,5 |
| M16                         | R0000630212          | R0000630142 | 13  | 24 | 30 | 3   |

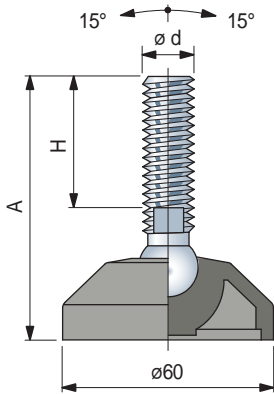
Packaging: 24 pieces (for M8, M10),  
8 pieces (for M12, M14, M16).

Ø60

# Articulated Feet in reinforced polyamide

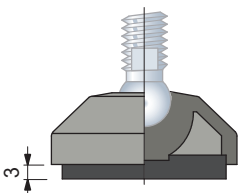
-  Best Seller
-  Standard
-  On request

Part. R0098



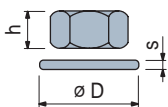
### Accessories

#### Anti-slip




- Code: **R0000630022**.
- Material: NBR rubber (black), 70 Shore.
- Assembly: press-fit.
- Packaging: 24 pieces

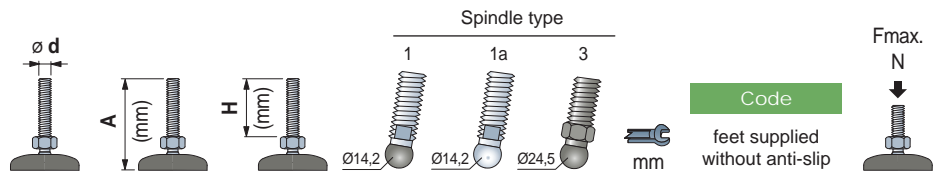
#### Nut + Washer



Code

|     | Stainless steel<br>AISI 304 | Zinc plated<br>steel | h<br>mm |  ØD<br>mm | s<br>mm |
|-----|-----------------------------|----------------------|---------|--|---------|
| M12 | R0000630192                 | R0000630122          | 10      | 19   | 24 2,5  |
| M14 | R0000630202                 | R0000630132          | 11      | 22   | 28 2,5  |
| M16 | R0000630212                 | R0000630142          | 13      | 24   | 30 3    |
| M20 | R0000630222                 | R0000630152          | 16      | 30   | 37 3    |
| M24 | R0000630232                 | R0000630162          | 19      | 36   | 44 4    |

Packaging: 8 pieces



#### Spindle in stainless steel

| Code  | M   | h (mm) | H (mm) | Spindle type |    |   | mm | Code   | Fmax. N |
|-------|-----|--------|--------|--------------|----|---|----|--------|---------|
|       |     |        |        | 1            | 1a | 3 |    |        |         |
| 8000  | M12 | 90     | 55     | 1            | -  | - | 10 | 626683 | 8000    |
|       |     | 135    | 100    | 1            | -  | - | 10 | 626693 |         |
|       |     | 185    | 150    | 1            | -  | - | 10 | 626703 |         |
| 10000 | M16 | 110    | 76     | -            | 1a | - | 11 | 626002 | 10000   |
|       |     | 100    | 64     | -            | 1a | - | 13 | 626012 |         |
|       |     | 115    | 81     | -            | 1a | - | 13 | 626022 |         |
|       |     | 160    | 124    | -            | 1a | - | 13 | 626032 |         |
|       |     | 185    | 151    | -            | 1a | - | 13 | 626042 |         |
|       |     | 205    | 169    | -            | 1a | - | 13 | 621283 |         |
|       |     | 225    | 190    | -            | 1a | - | 13 | 621313 |         |
| 10000 | M20 | 120    | 84     | -            | 1a | - | 16 | 626052 | 10000   |
|       |     | 185    | 149    | -            | 1a | - | 16 | 626062 |         |
|       |     | 245    | 208    | -            | 1a | - | 16 | 621293 |         |
| 10000 | M24 | 120    | 79     | -            | 1a | - | 19 | 626733 | 10000   |
|       |     | 185    | 146    | -            | 1a | - | 19 | 626072 |         |
|       |     | 220    | 179    | -            | 1a | - | 19 | 626743 |         |
|       |     | 250    | 209    | -            | 1a | - | 19 | 621303 |         |

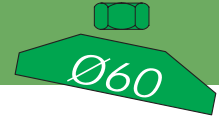
#### Spindle in zinc plated steel

| Code  | M   | h (mm) | H (mm) | Spindle type |    |    | mm | Code   | Fmax. N |        |
|-------|-----|--------|--------|--------------|----|----|----|--------|---------|--------|
|       |     |        |        | 1            | 1a | 3  |    |        |         |        |
| 8000  | M12 | 105    | 70     | 1            | -  | -  | 10 | 626753 | 8000    |        |
|       |     | M14    | 90     | 56           | -  | 1a | -  | 11     |         | 626092 |
|       |     |        | 85     | 48           | -  | 1a | -  | 13     |         | 626763 |
| 10000 | M16 | 95     | 61     | -            | 1a | -  | 13 | 626102 | 10000   |        |
|       |     | 130    | 96     | -            | 1a | -  | 13 | 626112 |         |        |
|       |     | 150    | 116    | -            | 1a | -  | 13 | 626122 |         |        |
|       |     | 165    | 131    | -            | 1a | -  | 13 | 621343 |         |        |
|       |     | 185    | 151    | -            | 1a | -  | 13 | 626132 |         |        |
|       |     | 200    | 165    | -            | 1a | -  | 13 | 621353 |         |        |
|       |     | 235    | 201    | -            | 1a | -  | 13 | 626773 |         |        |
| 10000 | M20 | 115    | 74     | -            | 1a | -  | 16 | 626783 | 10000   |        |
|       |     | 135    | 100    | -            | 1a | -  | 16 | 626142 |         |        |
|       |     | 150    | 113    | -            | 1a | -  | 16 | 621323 |         |        |
| 10000 | M24 | 185    | 150    | -            | 1a | -  | 16 | 626152 | 10000   |        |
|       |     | 250    | 214    | -            | 1a | -  | 16 | 626162 |         |        |
|       |     | 120    | 81     | -            | 1a | -  | 19 | 626172 |         |        |
|       |     | 185    | 146    | -            | 1a | -  | 19 | 626182 |         |        |
|       |     | 330    | 288    | -            | 1a | -  | 19 | 626793 |         |        |

#### Spindle in reinforced polyamid (black) with steel pin

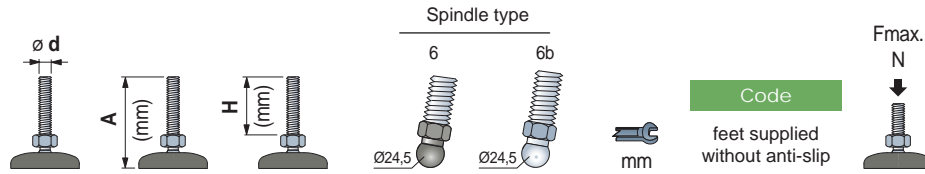
| Code | M   | h (mm) | H (mm) | Spindle type |    |   | mm | Code  | Fmax. N |       |
|------|-----|--------|--------|--------------|----|---|----|-------|---------|-------|
|      |     |        |        | 1            | 1a | 3 |    |       |         |       |
| 6000 | M16 | 100    | 54     | -            | -  | 3 | 24 | 61920 | 6000    |       |
|      |     | M20    | 120    | 69           | -  | - | 3  | 30    |         | 51540 |
|      |     |        | 180    | 129          | -  | - | 3  | 30    |         | 51530 |

- Item code for order = Part. + Code
- Footplate material: reinforced polyamide PA FV (black).
- Note: for spindles type 1 ball in reinforced polyamide.
- Packaging: 24 pieces.
- Anti-slip supplied separately.
- On request different length.
- Fmax. = maximum applicable load in static conditions.



- Best Seller
- Standard
- ✓ On request

Part. R0098  
Reinforced version

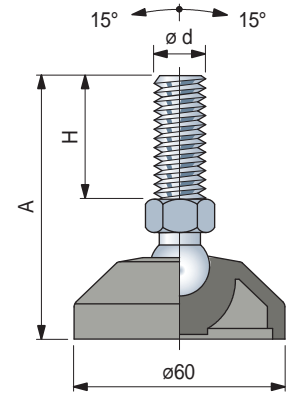


| Spindle in stainless steel |     |     |              |    |    |         |
|----------------------------|-----|-----|--------------|----|----|---------|
|                            |     |     | Spindle type |    |    |         |
|                            |     |     | 6            | 6b |    |         |
| M12                        | 100 | 53  | 6            | -  | 19 | 673671  |
|                            | 150 | 103 | 6            | -  | 19 | 673691  |
|                            | 195 | 149 | 6            | -  | 19 | 673711  |
| M14                        | 150 | 103 | 6            | -  | 19 | 673751  |
|                            | 195 | 149 | 6            | -  | 19 | 673771  |
| M16                        | 100 | 53  | 6            | -  | 24 | 673791  |
|                            | 115 | 74  | -            | 6b | 24 | 628782  |
|                            | 150 | 109 | -            | 6b | 24 | 628792  |
|                            | 185 | 144 | -            | 6b | 24 | 628802  |
|                            | 200 | 159 | -            | 6b | 24 | 628812  |
| M20                        | 115 | 74  | -            | 6b | 24 | 53171N  |
|                            | 180 | 139 | -            | 6b | 24 | 53161N  |
|                            | 245 | 204 | -            | 6b | 24 | 685641N |
| M24                        | 120 | 79  | -            | 6b | 24 | 628862  |
|                            | 220 | 179 | -            | 6b | 24 | 628872  |

12000

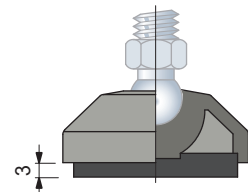
| Spindle in zinc plated steel |     |     |   |    |    |         |
|------------------------------|-----|-----|---|----|----|---------|
|                              |     |     |   |    |    |         |
| M12                          | 110 | 64  | - | -  | 19 | 673511  |
| M16                          | 95  | 5   | 6 | 6b | 24 | 628822  |
|                              | 130 | 89  | - | 6b | 24 | 628832  |
|                              | 160 | 119 | - | 6b | 24 | 628842  |
| M20                          | 195 | 154 | - | 6b | 24 | 628852  |
|                              | 115 | 76  | - | 6b | 24 | 53151N  |
|                              | 150 | 111 | - | 6b | 24 | 61564N  |
| M24                          | 180 | 141 | - | 6b | 24 | 52561N  |
|                              | 245 | 206 | - | 6b | 24 | 66401N  |
| M24                          | 120 | 79  | - | 6b | 24 | 628882  |
|                              | 185 | 144 | - | 6b | 24 | 628892  |
|                              | 325 | 288 | - | 6b | 24 | 673651N |

12000



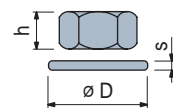
Accessories

Anti-slip



- Code: **R0000630022**.
- Material: NBR rubber (black), 70 Shore.
- Assembly: press-fit.
- Packaging: 24 pieces

Nut + Washer



Code

|     | Stainless steel<br>AISI 304 | Zinc plated<br>steel | h<br>mm | s<br>mm | ØD<br>mm | s<br>mm |
|-----|-----------------------------|----------------------|---------|---------|----------|---------|
| M12 | R0000630192                 | R0000630122          | 10      | 19      | 24       | 2,5     |
| M14 | R0000630202                 | R0000630132          | 11      | 22      | 28       | 2,5     |
| M16 | R0000630212                 | R0000630142          | 13      | 24      | 30       | 3       |
| M20 | R0000630222                 | R0000630152          | 16      | 30      | 37       | 3       |
| M24 | R0000630232                 | R0000630162          | 19      | 36      | 44       | 4       |




Packaging: 8 pieces

- Item code for order = Part. + Code
- Footplate material: reinforced polyamide PA FV (black).
- Note: for spindles type 6 ball in reinforced polyamide.
- Packaging: 24 pieces.
- Anti-slip supplied separately.
- On request different length.
- Fmax. = maximum applicable load in static conditions.

Ø60

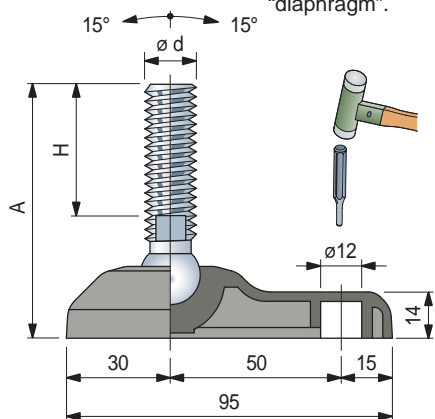
# Articulated Feet in reinforced polyamide

Part. R0094

-  Best Seller
-  Standard
-  On request

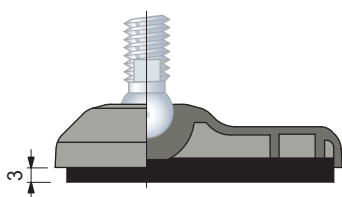


Fixing holes, obtainable by breaking "diaphragm".



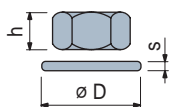
### Accessories

#### Anti-slip




- Code: **R0000630032**.
- Material: NBR rubber (black), 70 Shore.
- Assembly: press-fit.
- Packaging: 24 pieces

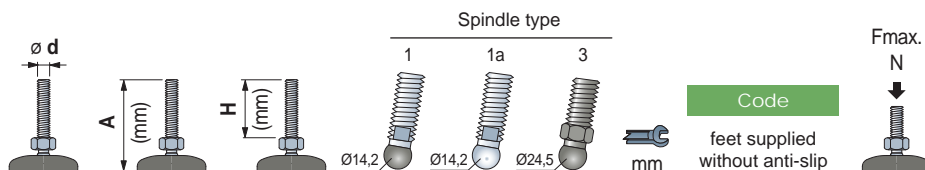
#### Nut + Washer



Code

|     | Stainless steel<br>AISI 304 | Zinc plated<br>steel | h<br>mm |  øD<br>mm | s<br>mm |
|-----|-----------------------------|----------------------|---------|--|---------|
| M12 | R0000630192                 | R0000630122          | 10      | 19   | 24 2,5  |
| M14 | R0000630202                 | R0000630132          | 11      | 22   | 28 2,5  |
| M16 | R0000630212                 | R0000630142          | 13      | 24   | 30 3    |
| M20 | R0000630222                 | R0000630152          | 16      | 30   | 37 3    |
| M24 | R0000630232                 | R0000630162          | 19      | 36   | 44 4    |

Packaging: 8 pieces



### Spindle in stainless steel

| Code  | M   | A (mm) | H (mm) | Spindle type |    |    | mm            | Fmax. N       |
|-------|-----|--------|--------|--------------|----|----|---------------|---------------|
|       |     |        |        | 1            | 1a | 3  |               |               |
| 8000  | M12 | 90     | 55     | 1            | -  | -  | 10            | <b>626803</b> |
|       |     | 135    | 100    | 1            | -  | -  | 10            | <b>626813</b> |
|       |     | 185    | 150    | 1            | -  | -  | 10            | <b>626823</b> |
| 10000 | M14 | 110    | 76     | -            | 1a | -  | 11            | <b>626192</b> |
|       |     | 100    | 64     | -            | 1a | -  | 13            | <b>626202</b> |
|       | M16 | 115    | 81     | -            | 1a | -  | 13            | <b>626212</b> |
|       |     | 160    | 124    | -            | 1a | -  | 13            | <b>626222</b> |
|       |     | 185    | 151    | -            | 1a | -  | 13            | <b>626232</b> |
|       |     | 205    | 169    | -            | 1a | -  | 13            | <b>626853</b> |
| M20   | 225 | 190    | -      | 1a           | -  | 13 | <b>626863</b> |               |
|       | 120 | 84     | -      | 1a           | -  | 16 | <b>626242</b> |               |
|       | 185 | 149    | -      | 1a           | -  | 16 | <b>626252</b> |               |
| M24   | 245 | 208    | -      | 1a           | -  | 16 | <b>626873</b> |               |
|       | 120 | 79     | -      | 1a           | -  | 19 | <b>626883</b> |               |
|       | 185 | 146    | -      | 1a           | -  | 19 | <b>626262</b> |               |
|       | 220 | 179    | -      | 1a           | -  | 19 | <b>626893</b> |               |
|       |     | 250    | 209    | -            | 1a | -  | 19            | <b>626903</b> |

### Spindle in zinc plated steel

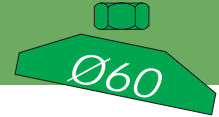
| Code  | M   | A (mm) | H (mm) | Spindle type |    |    | mm            | Fmax. N       |               |
|-------|-----|--------|--------|--------------|----|----|---------------|---------------|---------------|
|       |     |        |        | 1            | 1a | 3  |               |               |               |
| 8000  | M12 | 105    | 70     | 1            | -  | -  | 10            | <b>626913</b> |               |
|       |     | M14    | 90     | 56           | -  | 1a | -             | 11            | <b>626282</b> |
|       |     |        | 85     | 48           | -  | 1a | -             | 13            | <b>626923</b> |
| 10000 | M16 | 95     | 61     | -            | 1a | -  | 13            | <b>626292</b> |               |
|       |     | 130    | 96     | -            | 1a | -  | 13            | <b>626302</b> |               |
|       |     | 150    | 116    | -            | 1a | -  | 13            | <b>626312</b> |               |
|       |     | 165    | 131    | -            | 1a | -  | 13            | <b>626933</b> |               |
|       | M20 | 185    | 151    | -            | 1a | -  | 13            | <b>626322</b> |               |
|       |     | 200    | 165    | -            | 1a | -  | 13            | <b>626943</b> |               |
| M24   | 235 | 201    | -      | 1a           | -  | 13 | <b>626953</b> |               |               |
|       | 115 | 74     | -      | 1a           | -  | 16 | <b>626963</b> |               |               |
|       | 135 | 100    | -      | 1a           | -  | 16 | <b>626332</b> |               |               |
|       | 150 | 113    | -      | 1a           | -  | 16 | <b>626973</b> |               |               |
| M20   | 185 | 150    | -      | 1a           | -  | 16 | <b>626342</b> |               |               |
|       | 250 | 214    | -      | 1a           | -  | 16 | <b>626352</b> |               |               |
|       | 120 | 81     | -      | 1a           | -  | 19 | <b>626362</b> |               |               |
| M24   | 185 | 146    | -      | 1a           | -  | 19 | <b>626372</b> |               |               |
|       | 330 | 288    | -      | 1a           | -  | 19 | <b>626983</b> |               |               |

### Spindle in reinforced polyamid (black) with steel pin

| Code | M   | A (mm) | H (mm) | Spindle type |    |   | mm | Fmax. N       |
|------|-----|--------|--------|--------------|----|---|----|---------------|
|      |     |        |        | 1            | 1a | 3 |    |               |
| 6000 | M16 | 100    | 54     | -            | -  | 3 | 24 | <b>690421</b> |
|      |     | 120    | 69     | -            | -  | 3 | 30 | <b>690441</b> |
|      |     | 180    | 129    | -            | -  | 3 | 30 | <b>690461</b> |

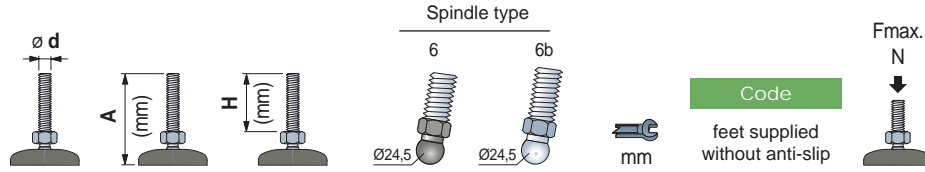
- Item code for order = Part. + Code
- Footplate material: reinforced polyamide PA FV (black).
- Note: for spindles type 1 ball in reinforced polyamide.
- Packaging: 24 pieces.
- Anti-slip supplied separately.
- On request different length.
- Fmax. = maximum applicable load in static conditions.

# Articulated Feet in reinforced polyamide



- Best Seller
- Standard
- ✓ On request

Part. R0094  
Reinforced version



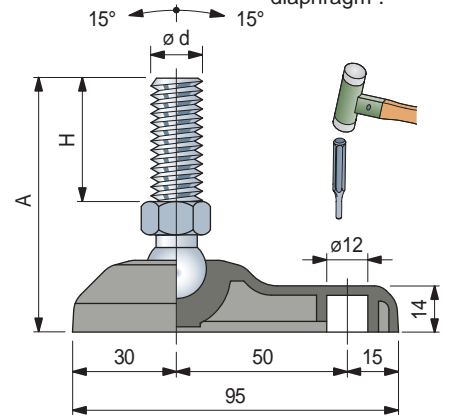
| Spindle in stainless steel |        |        |              |    |      |         |
|----------------------------|--------|--------|--------------|----|------|---------|
|                            | A (mm) | H (mm) | Spindle type | mm | Code |         |
| M12                        | 100    | 53     | 6            | -  | 19   | 689561  |
|                            | 150    | 103    | 6            | -  | 19   | 689581  |
|                            | 195    | 149    | 6            | -  | 19   | 689601  |
| M14                        | 150    | 103    | 6            | -  | 19   | 689681  |
|                            | 195    | 149    | 6            | -  | 19   | 689701  |
| M16                        | 100    | 53     | 6            | -  | 24   | 689741  |
|                            | 115    | 74     | -            | 6b | 24   | 626872  |
|                            | 150    | 109    | -            | 6b | 24   | 626882  |
|                            | 185    | 144    | -            | 6b | 24   | 626892  |
|                            | 200    | 159    | -            | 6b | 24   | 626902  |
| M20                        | 115    | 74     | -            | 6b | 24   | 690001N |
|                            | 180    | 139    | -            | 6b | 24   | 690081N |
|                            | 245    | 204    | -            | 6b | 24   | 690141N |
| M24                        | 120    | 79     | -            | 6b | 24   | 626952  |
|                            | 220    | 179    | -            | 6b | 24   | 626962  |

| Spindle in zinc plated steel |        |        |              |    |      |         |
|------------------------------|--------|--------|--------------|----|------|---------|
|                              | A (mm) | H (mm) | Spindle type | mm | Code |         |
| M12                          | 110    | 64     | 6            | -  | 19   | 690481  |
| M16                          | 95     | 54     | -            | 6b | 24   | 626912  |
|                              | 130    | 89     | -            | 6b | 24   | 626922  |
|                              | 160    | 119    | -            | 6b | 24   | 626932  |
| M20                          | 195    | 154    | -            | 6b | 24   | 626942  |
|                              | 115    | 76     | -            | 6b | 24   | 690781N |
|                              | 150    | 111    | -            | 6b | 24   | 690851N |
| M24                          | 180    | 141    | -            | 6b | 24   | 690871N |
|                              | 245    | 206    | -            | 6b | 24   | 690931N |
|                              | 120    | 79     | -            | 6b | 24   | 626972  |
| M24                          | 185    | 144    | -            | 6b | 24   | 626982  |
|                              | 325    | 288    | -            | 6b | 24   | 691071N |

- Item code for order = Part. + Code
- Footplate material: reinforced polyamide PA FV (black).
  - Note: for spindles type 6 ball in reinforced polyamide.
  - Packaging: 24 pieces.
  - Anti-slip supplied separately.
  - On request different length.
  - Fmax. = maximum applicable load in static conditions.

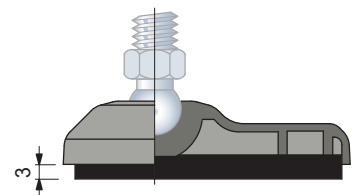


Fixing holes, obtainable by breaking "diaphragm".



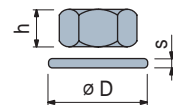
### Accessories

#### Anti-slip



- Code: **R0000630032**.
- Material: NBR rubber (black), 70 Shore.
- Assembly: press-fit.
- Packaging: 24 pieces

#### Nut + Washer



|     | Code                     |                   | h (mm) | s (mm) | ØD (mm) | s (mm) |
|-----|--------------------------|-------------------|--------|--------|---------|--------|
|     | Stainless steel AISI 304 | Zinc plated steel |        |        |         |        |
| M12 | R0000630192              | R0000630122       | 10     | 19     | 24      | 2,5    |
| M14 | R0000630202              | R0000630132       | 11     | 22     | 28      | 2,5    |
| M16 | R0000630212              | R0000630142       | 13     | 24     | 30      | 3      |
| M20 | R0000630222              | R0000630152       | 16     | 30     | 37      | 3      |
| M24 | R0000630232              | R0000630162       | 19     | 36     | 44      | 4      |

Packaging: 8 pieces



Ø80

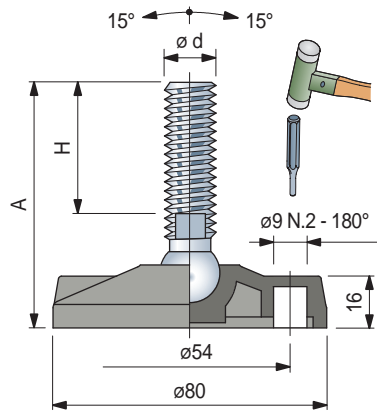
# Articulated Feet in reinforced polyamide

- ✔ Best Seller
- ✔ Standard
- On request

Part. R0323

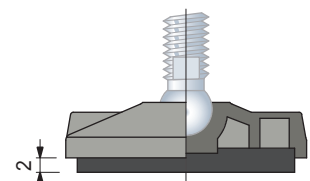


Fixing holes, obtainable by breaking "diaphragm".



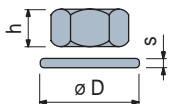
### Accessories

#### Anti-slip



- Code: R0000630042.
- Material: NBR rubber (black), 70 Shore.
- Assembly: press-fit.
- Packaging: 24 pieces

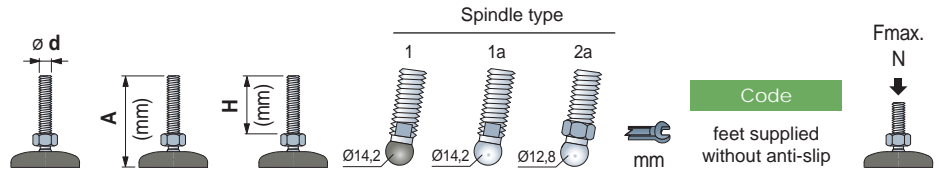
#### Nut + Washer



#### Code

|     | Stainless steel<br>AISI 304 | Zinc plated<br>steel | h<br>mm | øD<br>mm | s<br>mm |
|-----|-----------------------------|----------------------|---------|----------|---------|
| M8  | -                           | R0000630102          | 6,5     | 13       | 1,6     |
| M10 | R0000630182                 | R0000630112          | 8       | 17       | 2       |
| M12 | R0000630192                 | R0000630122          | 10      | 19       | 2,5     |
| M14 | R0000630202                 | R0000630132          | 11      | 22       | 2,5     |
| M16 | R0000630212                 | R0000630142          | 13      | 24       | 3       |
| M20 | R0000630222                 | R0000630152          | 16      | 30       | 3       |
| M24 | R0000630232                 | R0000630162          | 19      | 36       | 4       |

Packaging: 24 pieces (for M8, M10).  
8 pieces (for M12, M14, M16, M20, M24).



### Spindle in stainless steel

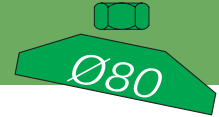
|     | A (mm) | H (mm) | 1 | 1a | 2a | mm | Code   | Fmax. N |
|-----|--------|--------|---|----|----|----|--------|---------|
| M10 | 95     | 70     | 1 | -  | -  | 8  | 626993 | 8000    |
| M12 | 95     | 70     | 1 | -  | -  | 10 | 627003 |         |
|     | 155    | 130    | 1 | -  | -  | 10 | 627013 |         |
| M14 | 105    | 76     | - | 1a | -  | 13 | 626572 | 10000   |
|     | 95     | 64     | - | 1a | -  | 13 | 626582 |         |
| M16 | 110    | 81     | - | 1a | -  | 13 | 626592 |         |
|     | 155    | 124    | - | 1a | -  | 13 | 626602 |         |
|     | 180    | 151    | - | 1a | -  | 13 | 626612 |         |
| M20 | 115    | 84     | - | 1a | -  | 16 | 626622 |         |
|     | 180    | 149    | - | 1a | -  | 16 | 626632 |         |
| M24 | 180    | 146    | - | 1a | -  | 19 | 626642 |         |

### Spindle in zinc plated steel

|     | A (mm) | H (mm) | 1 | 1a | 2a | mm | Code    | Fmax. N |
|-----|--------|--------|---|----|----|----|---------|---------|
| M8  | 65     | 40     | - | -  | 2a | 12 | 678901N | 9000    |
|     | 60     | 33     | - | -  | 2a | 12 | 61384N  |         |
| M10 | 95     | 71     | - | -  | 2a | 12 | 60464N  |         |
|     | 145    | 118    | - | -  | 2a | 12 | 61404N  |         |
| M12 | 70     | 48     | - | -  | 2a | 12 | 61414N  |         |
|     | 95     | 69     | - | -  | 2a | 12 | 62313N  |         |
|     | 120    | 96     | - | -  | 2a | 12 | 678941N |         |
| M14 | 85     | 56     | - | 1a | -  | 11 | 626662  | 10000   |
|     | 90     | 61     | - | 1a | -  | 13 | 626672  |         |
| M16 | 125    | 96     | - | 1a | -  | 13 | 626682  |         |
|     | 145    | 116    | - | 1a | -  | 13 | 626692  |         |
|     | 180    | 151    | - | 1a | -  | 13 | 626702  |         |
|     | 230    | 201    | - | 1a | -  | 13 | 627023  |         |
| M20 | 130    | 100    | - | 1a | -  | 16 | 626712  |         |
|     | 180    | 150    | - | 1a | -  | 16 | 626722  |         |
|     | 245    | 214    | - | 1a | -  | 16 | 626732  |         |
| M24 | 115    | 81     | - | 1a | -  | 19 | 626742  |         |
|     | 180    | 146    | - | 1a | -  | 19 | 626752  |         |

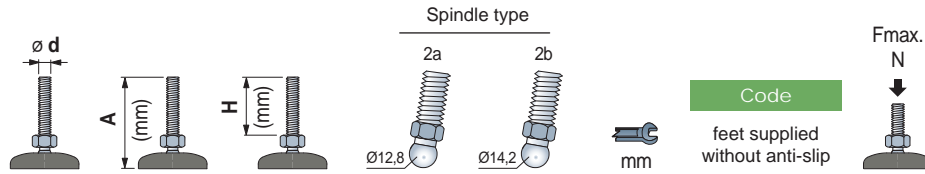
- Item code for order = Part. + Code
- Footplate material: reinforced polyamide PA FV (black).
- Note: for spindles type 1 ball in reinforced polyamide.
- Packaging: 24 pieces.
- Anti-slip supplied separately.
- On request different length.
- Fmax. = maximum applicable load in static conditions.

# Articulated Feet in reinforced polyamide



- Best Seller
- Standard
- ✓ On request

Part. R0323



| Spindle in stainless steel |     |     |    |   |    |         |
|----------------------------|-----|-----|----|---|----|---------|
| M10                        | 95  | 71  | 2a | - | 12 | 65686N  |
| M12                        | 95  | 69  | 2a | - | 12 | 65596N  |
|                            | 155 | 132 | 2a | - | 12 | 679061N |
| M14                        | 95  | 68  | 2a | - | 12 | 626842  |
| M16                        | 100 | 72  | 2a | - | 15 | 626852  |
|                            | 160 | 132 | 2a | - | 15 | 626862  |

9000

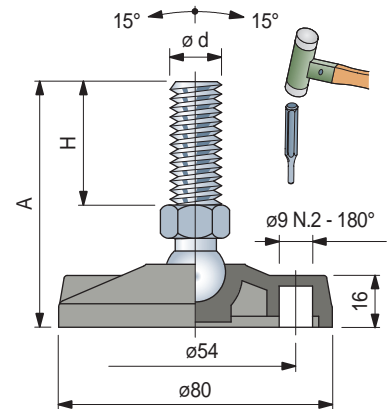
| Spindle in zinc plated steel |     |     |   |    |    |         |
|------------------------------|-----|-----|---|----|----|---------|
| M16                          | 75  | 48  | - | 2b | 16 | 685981N |
|                              | 95  | 68  | - | 2b | 16 | 62353N  |
|                              | 115 | 89  | - | 2b | 16 | 686001N |
|                              | 155 | 130 | - | 2b | 16 | 686021N |
|                              | 190 | 165 | - | 2b | 16 | 62383N  |
|                              | 230 | 201 | - | 2b | 16 | 679021N |

10000

- Item code for order = Part. + Code
- Footplate material : reinforced polyamide PA FV ( black ).
  - Packaging : 24 pieces.
  - Anti-slip supplied separately.
  - On request different length.
  - Fmax. = maximum applicable load in static conditions.

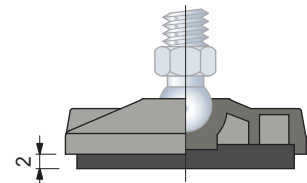


Fixing holes, obtainable by breaking "diaphragm".



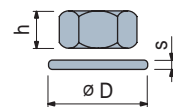
### Accessories

#### Anti-slip



- Code: **R0000630042**.
- Material: NBR rubber (black), 70 Shore.
- Assembly: press-fit.
- Packaging: 24 pieces

#### Nut + Washer



| Code                        |                      | h           | s   | øD |    |     |
|-----------------------------|----------------------|-------------|-----|----|----|-----|
| Stainless steel<br>AISI 304 | Zinc plated<br>steel | mm          | mm  | mm |    |     |
| M8                          | -                    | R0000630102 | 6,5 | 13 | 17 | 1,6 |
| M10                         | R0000630182          | R0000630112 | 8   | 17 | 21 | 2   |
| M12                         | R0000630192          | R0000630122 | 10  | 19 | 24 | 2,5 |
| M14                         | R0000630202          | R0000630132 | 11  | 22 | 28 | 2,5 |
| M16                         | R0000630212          | R0000630142 | 13  | 24 | 30 | 3   |
| M20                         | R0000630222          | R0000630152 | 16  | 30 | 37 | 3   |
| M24                         | R0000630232          | R0000630162 | 19  | 36 | 44 | 4   |

Packaging: 24 pieces (for M8, M10).  
8 pieces (for M12, M14, M16, M20, M24).

Ø100

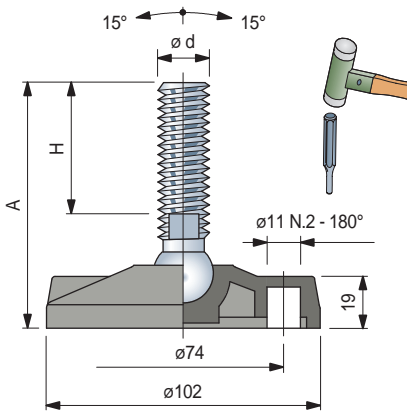
# Articulated Feet in reinforced polyamide

- ✔ Best Seller
- ✔ Standard
- On request

Part. R0133

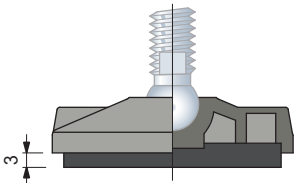


Fixing holes, obtainable by breaking "diaphragm".



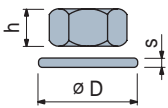
### Accessories

#### Anti-slip



- Code: **R0000630052**.
- Material: NBR rubber (black), 70 Shore.
- Assembly: press-fit.
- Packaging: 24 pieces

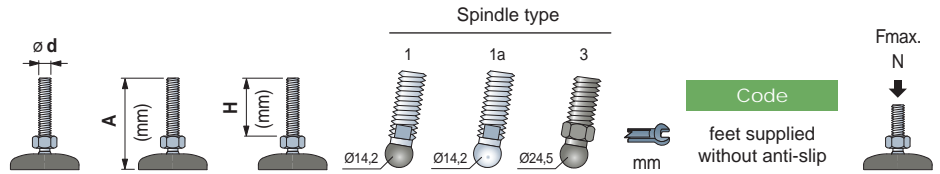
#### Nut + Washer



Code

|     | Stainless steel<br>AISI 304 | Zinc plated<br>steel | h<br>mm | Ø<br>mm | s<br>mm |
|-----|-----------------------------|----------------------|---------|---------|---------|
| M12 | R0000630192                 | R0000630122          | 10      | 19      | 2,5     |
| M14 | R0000630202                 | R0000630132          | 11      | 22      | 2,5     |
| M16 | R0000630212                 | R0000630142          | 13      | 24      | 3       |
| M20 | R0000630222                 | R0000630152          | 16      | 30      | 3       |
| M24 | R0000630232                 | R0000630162          | 19      | 36      | 4       |

Packaging: 8 pieces



### Spindle in stainless steel

|     |     |     |   |    |   |    | Code          |       |
|-----|-----|-----|---|----|---|----|---------------|-------|
| M12 | 90  | 55  | 1 | -  | - | 10 | <b>627033</b> | 8000  |
|     | 135 | 100 | 1 | -  | - | 10 | <b>627043</b> |       |
|     | 185 | 150 | 1 | -  | - | 10 | <b>627053</b> |       |
| M14 | 110 | 76  | - | 1a | - | 11 | <b>633192</b> | 12000 |
|     | 100 | 64  | - | 1a | - | 13 | <b>633202</b> |       |
|     | 115 | 81  | - | 1a | - | 13 | <b>633212</b> |       |
| M16 | 160 | 124 | - | 1a | - | 13 | <b>633222</b> |       |
|     | 185 | 151 | - | 1a | - | 13 | <b>633232</b> |       |
|     | 205 | 169 | - | 1a | - | 13 | <b>627083</b> |       |
| M20 | 225 | 190 | - | 1a | - | 13 | <b>627093</b> |       |
|     | 120 | 84  | - | 1a | - | 16 | <b>633242</b> |       |
|     | 185 | 149 | - | 1a | - | 16 | <b>633252</b> |       |
| M24 | 245 | 208 | - | 1a | - | 16 | <b>627103</b> |       |
|     | 120 | 79  | - | 1a | - | 19 | <b>627113</b> |       |
|     | 185 | 146 | - | 1a | - | 19 | <b>633262</b> |       |
|     | 220 | 179 | - | 1a | - | 19 | <b>627123</b> |       |
|     | 250 | 209 | - | 1a | - | 19 | <b>627133</b> |       |

### Spindle in zinc plated steel

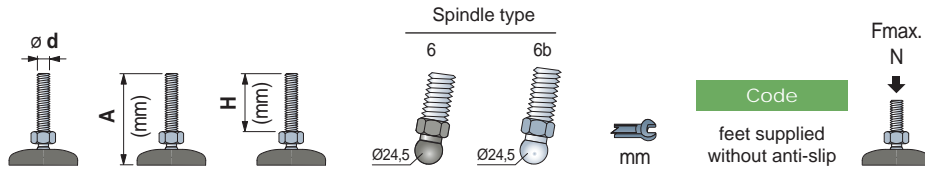
|     |     |     |   |    |   |    | Code          |       |
|-----|-----|-----|---|----|---|----|---------------|-------|
| M12 | 105 | 70  | 1 | -  | - | 10 | <b>627143</b> | 8000  |
| M14 | 90  | 56  | - | 1a | - | 11 | <b>633282</b> | 12000 |
|     | 85  | 48  | - | 1a | - | 13 | <b>627153</b> |       |
|     | 95  | 61  | - | 1a | - | 13 | <b>633292</b> |       |
|     | 130 | 96  | - | 1a | - | 13 | <b>633302</b> |       |
|     | 150 | 116 | - | 1a | - | 13 | <b>633312</b> |       |
| M16 | 165 | 131 | - | 1a | - | 13 | <b>627163</b> |       |
|     | 185 | 151 | - | 1a | - | 13 | <b>633322</b> |       |
|     | 200 | 165 | - | 1a | - | 13 | <b>627173</b> |       |
|     | 235 | 201 | - | 1a | - | 13 | <b>627183</b> |       |
|     | 115 | 74  | - | 1a | - | 16 | <b>627193</b> |       |
| M20 | 135 | 100 | - | 1a | - | 16 | <b>633332</b> |       |
|     | 150 | 113 | - | 1a | - | 16 | <b>627203</b> |       |
|     | 185 | 150 | - | 1a | - | 16 | <b>633342</b> |       |
| M24 | 250 | 214 | - | 1a | - | 16 | <b>633352</b> |       |
|     | 120 | 81  | - | 1a | - | 19 | <b>633362</b> |       |
|     | 185 | 146 | - | 1a | - | 19 | <b>633372</b> |       |
|     | 330 | 288 | - | 1a | - | 19 | <b>627213</b> |       |

### Spindle in reinforced polyamid (black) with steel pin

|     |     |     |   |   |   |    | Code          |      |
|-----|-----|-----|---|---|---|----|---------------|------|
| M16 | 100 | 54  | - | - | 3 | 24 | <b>627292</b> | 6000 |
| M20 | 120 | 69  | - | - | 3 | 30 | <b>627302</b> |      |
|     | 180 | 129 | - | - | 3 | 30 | <b>627312</b> |      |

- Item code for order = Part. + Code
- Footplate material: reinforced polyamide PA FV (black).
- Note: for spindles type 1 ball in reinforced polyamide.
- Packaging: 24 pieces.
- Anti-slip supplied separately.
- On request different length.
- Fmax. = maximum applicable load in static conditions.

- Best Seller
- Standard
- ✓ On request



| Spindle in stainless steel |     |     |   |    |    |          |
|----------------------------|-----|-----|---|----|----|----------|
| M12                        | 100 | 53  | 6 | -  | 19 | 679231N  |
|                            | 150 | 103 | 6 | -  | 19 | 679251N  |
|                            | 195 | 149 | 6 | -  | 19 | 679271N  |
| M14                        | 150 | 103 | 6 | -  | 19 | 679311N  |
|                            | 195 | 149 | 6 | -  | 19 | 679331N  |
| M16                        | 100 | 53  | 6 | -  | 24 | 679351N  |
|                            | 115 | 74  | - | 6b | 24 | 627212   |
|                            | 150 | 109 | - | 6b | 24 | 627222   |
|                            | 185 | 144 | - | 6b | 24 | 627232   |
|                            | 200 | 159 | - | 6b | 24 | 627242   |
| M20                        | 220 | 181 | - | 6b | 24 | 679461N1 |
|                            | 115 | 74  | - | 6b | 24 | 627252N  |
|                            | 180 | 139 | - | 6b | 24 | 627262N  |
| M24                        | 245 | 204 | - | 6b | 24 | 686321N1 |
|                            | 120 | 79  | - | 6b | 24 | 627272   |
|                            | 220 | 179 | - | 6b | 24 | 627282   |

13000

| Spindle in zinc plated steel |     |     |   |    |    |          |
|------------------------------|-----|-----|---|----|----|----------|
| M12                          | 110 | 64  | 6 | -  | 19 | 679121N  |
|                              | 95  | 54  | - | 6b | 24 | 627322   |
| M16                          | 130 | 89  | - | 6b | 24 | 627332   |
|                              | 160 | 119 | - | 6b | 24 | 627342   |
|                              | 195 | 154 | - | 6b | 24 | 627352   |
| M20                          | 115 | 76  | - | 6b | 24 | 627362N  |
|                              | 150 | 111 | - | 6b | 24 | 627372N  |
|                              | 180 | 141 | - | 6b | 24 | 627382N  |
|                              | 245 | 206 | - | 6b | 24 | 627392N  |
| M24                          | 120 | 79  | - | 6b | 24 | 627402   |
|                              | 185 | 144 | - | 6b | 24 | 627412   |
|                              | 325 | 288 | - | 6b | 24 | 679211N1 |

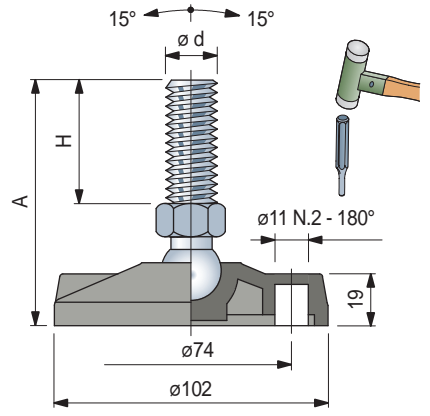
13000

- Item code for order = Part. + Code
- Footplate material: reinforced polyamide PA FV (black).
  - Note: for spindles type 6 ball in reinforced polyamide.
  - Packaging: 24 pieces.
  - Anti-slip supplied separately.
  - On request different length.
  - Fmax. = maximum applicable load in static conditions.

Part. R0133  
Reinforced version

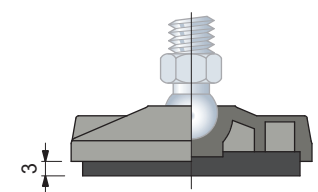


Fixing holes, obtainable by breaking "diaphragm".



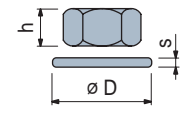
Accessories

Anti-slip



- Code: **R0000630052**.
- Material: NBR rubber (black), 70 Shore.
- Assembly: press-fit.
- Packaging: 24 pieces

Nut + Washer






|     | Code                        |                      | h  | s  | øD |
|-----|-----------------------------|----------------------|----|----|----|
|     | Stainless steel<br>AISI 304 | Zinc plated<br>steel | mm | mm | mm |
| M12 | R0000630192                 | R0000630122          | 10 | 19 | 24 |
| M14 | R0000630202                 | R0000630132          | 11 | 22 | 28 |
| M16 | R0000630212                 | R0000630142          | 13 | 24 | 30 |
| M20 | R0000630222                 | R0000630152          | 16 | 30 | 37 |
| M24 | R0000630232                 | R0000630162          | 19 | 36 | 44 |

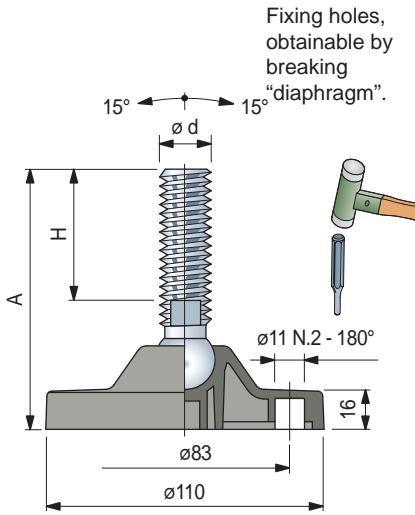
Packaging: 8 pieces

Ø110

# Articulated Feet in reinforced polyamide

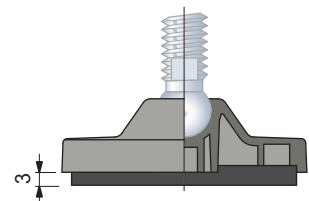
-  Best Seller
-  Standard
-  On request

Part. R0479



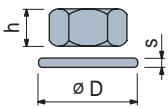
### Accessories

#### Anti-slip



- Code: **R0000630062**.
- Material: NBR rubber (black), 70 Shore.
- Assembly: press-fit.
- Packaging: 16 pieces

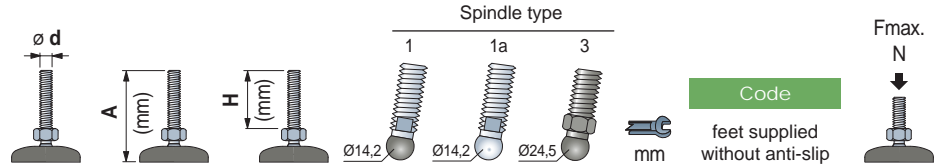
#### Nut + Washer



Code

|     | Stainless steel<br>AISI 304 | Zinc plated<br>steel | h<br>mm | ØD<br>mm | s<br>mm |
|-----|-----------------------------|----------------------|---------|----------|---------|
| M12 | R0000630192                 | R0000630122          | 10      | 19       | 24 2,5  |
| M14 | R0000630202                 | R0000630132          | 11      | 22       | 28 2,5  |
| M16 | R0000630212                 | R0000630142          | 13      | 24       | 30 3    |
| M20 | R0000630222                 | R0000630152          | 16      | 30       | 37 3    |
| M24 | R0000630232                 | R0000630162          | 19      | 36       | 44 4    |

Packaging: 8 pieces



### Spindle in stainless steel

| Code | h (mm) | H (mm) | Spindle type |    |   | mm | Fmax. N |
|------|--------|--------|--------------|----|---|----|---------|
|      |        |        | 1            | 1a | 3 |    |         |
| M12  | 100    | 55     | 1            | -  | - | 10 | 8000    |
|      | 145    | 100    | 1            | -  | - | 10 |         |
|      | 195    | 150    | 1            | -  | - | 10 |         |
| M14  | 120    | 76     | -            | 1a | - | 11 | 15000   |
|      | 195    | 150    | -            | 1a | - | 11 |         |
| M16  | 110    | 64     | -            | 1a | - | 13 | 15000   |
|      | 125    | 81     | -            | 1a | - | 13 |         |
|      | 170    | 124    | -            | 1a | - | 13 |         |
|      | 195    | 151    | -            | 1a | - | 13 |         |
|      | 215    | 169    | -            | 1a | - | 13 |         |
| M20  | 235    | 190    | -            | 1a | - | 13 | 15000   |
|      | 130    | 84     | -            | 1a | - | 16 |         |
|      | 195    | 149    | -            | 1a | - | 16 |         |
| M24  | 255    | 208    | -            | 1a | - | 16 | 15000   |
|      | 130    | 79     | -            | 1a | - | 19 |         |
|      | 195    | 146    | -            | 1a | - | 19 |         |
|      | 230    | 179    | -            | 1a | - | 19 |         |
|      | 260    | 209    | -            | 1a | - | 19 |         |

### Spindle in zinc plated steel

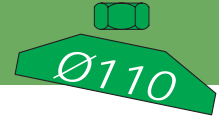
| Code | h (mm) | H (mm) | Spindle type |    |   | mm | Fmax. N |
|------|--------|--------|--------------|----|---|----|---------|
|      |        |        | 1            | 1a | 3 |    |         |
| M12  | 115    | 70     | 1            | -  | - | 10 | 8000    |
| M14  | 100    | 56     | -            | 1a | - | 11 | 15000   |
|      | 95     | 48     | -            | 1a | - | 13 |         |
|      | 105    | 61     | -            | 1a | - | 13 |         |
|      | 140    | 96     | -            | 1a | - | 13 |         |
|      | 160    | 116    | -            | 1a | - | 13 |         |
|      | 175    | 131    | -            | 1a | - | 13 |         |
|      | 195    | 151    | -            | 1a | - | 13 |         |
| M16  | 210    | 165    | -            | 1a | - | 13 | 15000   |
|      | 245    | 201    | -            | 1a | - | 13 |         |
|      | 125    | 74     | -            | 1a | - | 16 |         |
|      | 140    | 100    | -            | 1a | - | 16 |         |
|      | 160    | 113    | -            | 1a | - | 16 |         |
| M20  | 190    | 150    | -            | 1a | - | 16 | 15000   |
|      | 260    | 214    | -            | 1a | - | 16 |         |
|      | 130    | 81     | -            | 1a | - | 19 |         |
|      | 195    | 146    | -            | 1a | - | 19 |         |
| M24  | 340    | 288    | -            | 1a | - | 19 | 15000   |

### Spindle in reinforced polyamid (black) with steel pin

| Code | h (mm) | H (mm) | Spindle type |    |   | mm | Fmax. N |
|------|--------|--------|--------------|----|---|----|---------|
|      |        |        | 1            | 1a | 3 |    |         |
| M16  | 110    | 54     | -            | -  | 3 | 24 | 6000    |
| M20  | 130    | 69     | -            | -  | 3 | 30 |         |
|      | 190    | 129    | -            | -  | 3 | 30 |         |

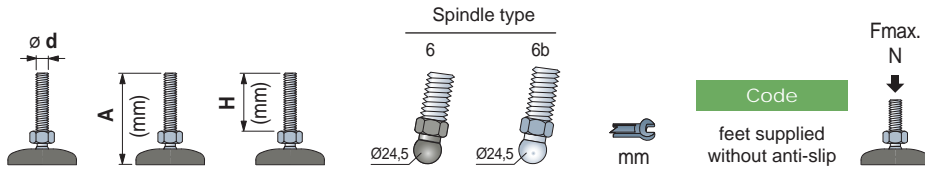
- Item code for order = Part. + Code
- Footplate material: reinforced polyamide PA FV (black).
- Note: for spindles type 1 ball in reinforced polyamide.
- Packaging: 16 pieces.
- Anti-slip supplied separately.
- On request different length.
- Fmax. = maximum applicable load in static conditions.

# Articulated Feet in reinforced polyamide



- Best Seller
- Standard
- ✓ On request

Part. R0479  
Reinforced version



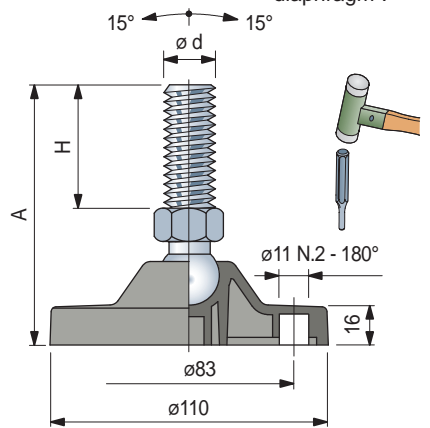
| Spindle in stainless steel |     |     |     |     |     |          |
|----------------------------|-----|-----|-----|-----|-----|----------|
|                            | 110 | 160 | 205 | 245 | 285 |          |
| M12                        | 53  | 103 | 149 | 199 | 249 | 636181N  |
|                            | 6   | 6   | 6   | 6   | 6   | 636201N  |
|                            | -   | -   | -   | -   | -   | 636221N  |
| M14                        | 103 | 149 | 199 | 249 | 299 | 636261N  |
|                            | 6   | 6   | 6   | 6   | 6   | 636271N  |
| M16                        | 53  | 109 | 159 | 209 | 259 | 636331N  |
|                            | 6   | 6b  | 6b  | 6b  | 6b  | 627422   |
|                            | -   | 6b  | 6b  | 6b  | 6b  | 627432   |
|                            | -   | 6b  | 6b  | 6b  | 6b  | 627442   |
|                            | -   | 6b  | 6b  | 6b  | 6b  | 627452   |
|                            | -   | 6b  | 6b  | 6b  | 6b  | 675591N1 |
| M20                        | 74  | 204 | 254 | 304 | 354 | 627462N  |
|                            | 6b  | 6b  | 6b  | 6b  | 6b  | 627472N  |
|                            | 6b  | 6b  | 6b  | 6b  | 6b  | 686561N1 |
| M24                        | 79  | 179 | 229 | 279 | 329 | 627482   |
|                            | 6b  | 6b  | 6b  | 6b  | 6b  | 627492   |

| Spindle in zinc plated steel |     |     |     |     |     |          |
|------------------------------|-----|-----|-----|-----|-----|----------|
|                              | 120 | 170 | 220 | 270 | 320 |          |
| M12                          | 64  | 114 | 164 | 214 | 264 | 675341N  |
| M16                          | 54  | 104 | 154 | 204 | 254 | 627532   |
|                              | 6b  | 6b  | 6b  | 6b  | 6b  | 627542   |
|                              | 6b  | 6b  | 6b  | 6b  | 6b  | 627552   |
|                              | 6b  | 6b  | 6b  | 6b  | 6b  | 627562   |
| M20                          | 76  | 176 | 226 | 276 | 326 | 627572N  |
|                              | 6b  | 6b  | 6b  | 6b  | 6b  | 627582N  |
|                              | 6b  | 6b  | 6b  | 6b  | 6b  | 627592N  |
|                              | 6b  | 6b  | 6b  | 6b  | 6b  | 627602N  |
| M24                          | 79  | 179 | 229 | 279 | 329 | 627612   |
|                              | 6b  | 6b  | 6b  | 6b  | 6b  | 627622   |
|                              | 288 | 338 | 388 | 438 | 488 | 675501N1 |

- Item code for order = Part. + Code
- Footplate material: reinforced polyamide PA FV (black).
  - Note: for spindles type 6 ball in reinforced polyamide.
  - Packaging: 16 pieces.
  - Anti-slip supplied separately.
  - On request different length.
  - Fmax. = maximum applicable load in static conditions.

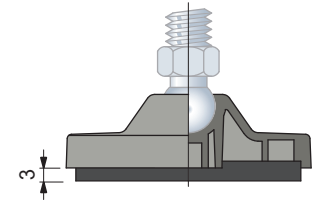


Fixing holes, obtainable by breaking "diaphragm".



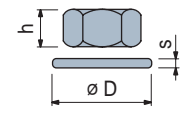
**Accessories**

**Anti-slip**



- Code: **R0000630062**.
- Material: NBR rubber (black), 70 Shore.
- Assembly: press-fit.
- Packaging: 16 pieces

**Nut + Washer**

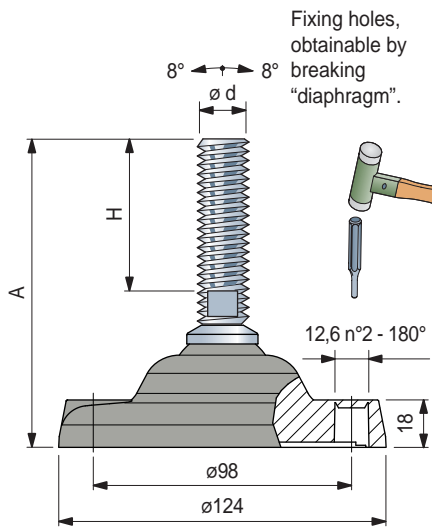


|     | Code                     |                   | h  | h  | øD | s   |
|-----|--------------------------|-------------------|----|----|----|-----|
|     | Stainless steel AISI 304 | Zinc plated steel | mm | mm | mm | mm  |
| M12 | R0000630192              | R0000630122       | 10 | 19 | 24 | 2,5 |
| M14 | R0000630202              | R0000630132       | 11 | 22 | 28 | 2,5 |
| M16 | R0000630212              | R0000630142       | 13 | 24 | 30 | 3   |
| M20 | R0000630222              | R0000630152       | 16 | 30 | 37 | 3   |
| M24 | R0000630232              | R0000630162       | 19 | 36 | 44 | 4   |

Packaging: 8 pieces

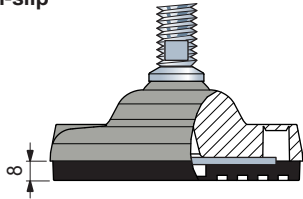
Ø124

Part. R0869



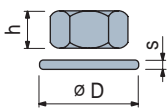
**Accessories**

**Anti-slip**



- Code with reinforcement disc: **R0000630082**.
- Code without reinforcement disc: **R0000630092**.
- Assembly: with screws for plate supplied loose.
- Material: NBR rubber (black), 80 Shore.
- Packaging: 8 pieces.

**Nut + Washer**



**Code**

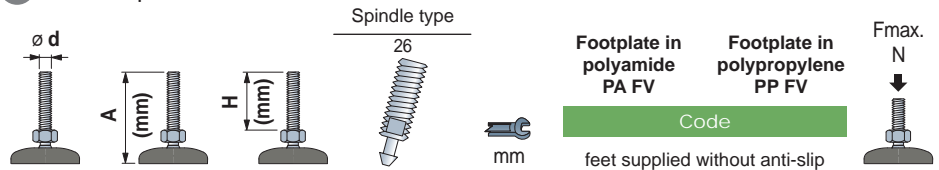
|     | Stainless steel<br>AISI 304 | Zinc plated<br>steel | h<br>mm | øD<br>mm | s<br>mm |
|-----|-----------------------------|----------------------|---------|----------|---------|
| M16 | R0000630212                 | R0000630142          | 13      | 24       | 30      |
| M20 | R0000630222                 | R0000630152          | 16      | 30       | 37      |
| M24 | R0000630232                 | R0000630162          | 19      | 36       | 44      |
| M30 | R0000630242                 | R0000630172          | 24      | 46       | 56      |

Packaging: 8 pieces

# Articulated Feet

in reinforced polyamide and polypropylene

- Best Seller
- Standard
- On request



**Spindle in stainless steel**

|            | Spindle type |     |    |    | Footplate in polyamide PA FV | Footplate in polypropylene PP FV | Fmax.<br>N       |
|------------|--------------|-----|----|----|------------------------------|----------------------------------|------------------|
|            | 26           | 13  | 17 | 19 | Code                         | Code                             |                  |
| <b>M16</b> | 110          | 50  | 26 | 13 | <b>618903</b>                | <b>619283</b>                    | 45000<br>(PA FV) |
|            | 140          | 80  | 26 | 13 | <b>618913</b>                | <b>619293</b>                    |                  |
|            | 170          | 110 | 26 | 13 | <b>618923</b>                | <b>619303</b>                    |                  |
|            | 200          | 140 | 26 | 13 | <b>618933</b>                | <b>619313</b>                    |                  |
|            | 230          | 170 | 26 | 13 | <b>618943</b>                | <b>619323</b>                    |                  |
| <b>M20</b> | 140          | 79  | 26 | 17 | <b>618963</b>                | <b>619343</b>                    | 13000<br>(PP FV) |
|            | 200          | 139 | 26 | 17 | <b>618973</b>                | <b>619353</b>                    |                  |
|            | 260          | 199 | 26 | 17 | <b>618983</b>                | <b>619363</b>                    |                  |
| <b>M24</b> | 140          | 77  | 26 | 19 | <b>619003</b>                | <b>619383</b>                    |                  |
|            | 210          | 147 | 26 | 19 | <b>619013</b>                | <b>619393</b>                    |                  |
|            | 240          | 177 | 26 | 19 | <b>619023</b>                | <b>619403</b>                    |                  |
|            | 270          | 207 | 26 | 19 | <b>619033</b>                | <b>619413</b>                    |                  |

**Spindle in zinc plated steel**

|            | Spindle type |     |    |    | Footplate in polyamide PA FV | Footplate in polypropylene PP FV | Fmax.<br>N       |
|------------|--------------|-----|----|----|------------------------------|----------------------------------|------------------|
|            | 26           | 13  | 17 | 19 | Code                         | Code                             |                  |
| <b>M16</b> | 110          | 50  | 26 | 13 | <b>619073</b>                | <b>619453</b>                    | 45000<br>(PA FV) |
|            | 140          | 80  | 26 | 13 | <b>619083</b>                | <b>619463</b>                    |                  |
|            | 170          | 110 | 26 | 13 | <b>619093</b>                | <b>619473</b>                    |                  |
|            | 200          | 140 | 26 | 13 | <b>619103</b>                | <b>619483</b>                    |                  |
|            | 230          | 170 | 26 | 13 | <b>619113</b>                | <b>619493</b>                    |                  |
| <b>M20</b> | 140          | 79  | 26 | 17 | <b>619133</b>                | <b>619513</b>                    | 13000<br>(PP FV) |
|            | 170          | 109 | 26 | 17 | <b>619143</b>                | <b>619523</b>                    |                  |
|            | 200          | 139 | 26 | 17 | <b>619153</b>                | <b>619533</b>                    |                  |
|            | 230          | 169 | 26 | 17 | <b>619163</b>                | <b>619543</b>                    |                  |
| <b>M24</b> | 260          | 199 | 26 | 17 | <b>619173</b>                | <b>619553</b>                    |                  |
|            | 290          | 229 | 26 | 17 | <b>619183</b>                | <b>619563</b>                    |                  |
|            | 140          | 77  | 26 | 19 | <b>619193</b>                | <b>619573</b>                    |                  |
|            | 170          | 107 | 26 | 19 | <b>619203</b>                | <b>619583</b>                    |                  |
|            | 200          | 137 | 26 | 19 | <b>619213</b>                | <b>619593</b>                    |                  |
|            | 230          | 167 | 26 | 19 | <b>619223</b>                | <b>619603</b>                    |                  |
|            | 290          | 227 | 26 | 19 | <b>619233</b>                | <b>619613</b>                    |                  |
|            | 350          | 287 | 26 | 19 | <b>619243</b>                | <b>619623</b>                    |                  |

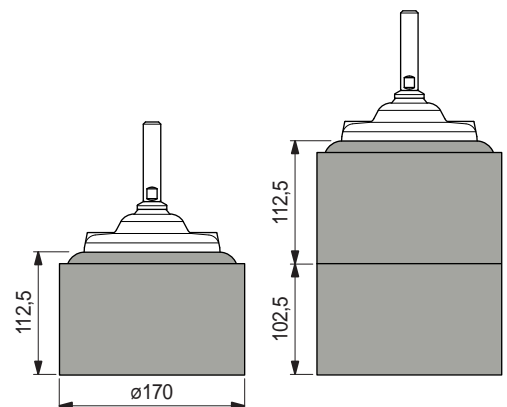
Item code for order = Part. + Code

- Footplate material: reinforced polyamide PA FV (black) and reinforced polypropylene PP FV (black).
- Packaging: 8 pieces.
- Anti-slip supplied separately (on request supplied fixed to the foot).
- On request different length.
- Fmax. = maximum applicable load in static conditions.

**Part. R0726 - Spacer**

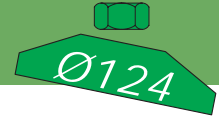


- Code: **688772**.
- Material: acetal POM (black).
- Weight: 1,15 Kg.
- Packaging: 8 pieces.



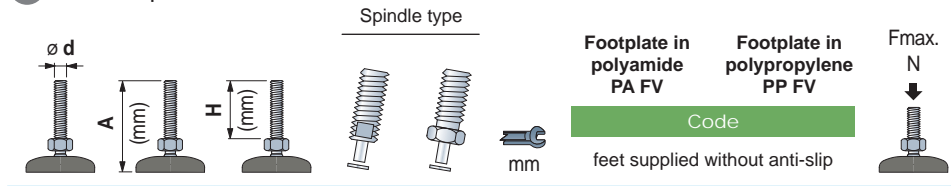
# Articulated Feet

in reinforced polyamide and polypropylene



- Best Seller
- Standard
- ✓ On request

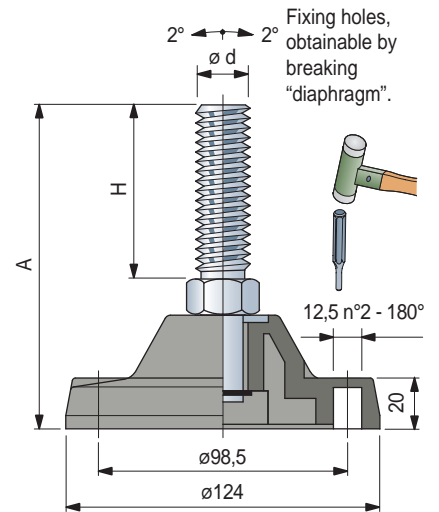
Part. R0169



| Spindle in stainless steel |     |     |    |    |    | Footplate in polyamide PA FV | Footplate in polypropylene PP FV | Fmax. N       |
|----------------------------|-----|-----|----|----|----|------------------------------|----------------------------------|---------------|
|                            |     |     |    |    |    | Code                         |                                  |               |
| M16                        | 255 | 200 | 21 | -  | 13 | 604993                       | -                                | 45000 (PA FV) |
|                            | 140 | 81  | -  | 22 | 30 | 624802                       | 628682                           |               |
| M20                        | 205 | 146 | -  | 22 | 30 | 624812                       | 628692                           | 13000 (PP FV) |
|                            | 205 | 152 | 21 | -  | 19 | 624822                       | 628702                           |               |
| M30                        | 205 | 152 | 21 | -  | 24 | 624832                       | 628712                           |               |

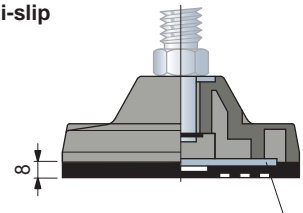
| Spindle in zinc plated steel |     |     |    |    |    | Footplate in polyamide PA FV | Footplate in polypropylene PP FV | Fmax. N       |
|------------------------------|-----|-----|----|----|----|------------------------------|----------------------------------|---------------|
| M16                          | 255 | 200 | -  | 22 | 24 | 624842                       | 628722                           | 45000 (PA FV) |
|                              | 255 | 200 | 21 | -  | 13 | 604983                       | -                                |               |
| M20                          | 140 | 81  | -  | 22 | 30 | 624852                       | 628732                           | 13000 (PP FV) |
|                              | 205 | 146 | -  | 22 | 30 | 624862                       | 628742                           |               |
|                              | 205 | 154 | 21 | -  | 17 | 611653                       | 636162                           |               |
| M24                          | 255 | 195 | -  | 22 | 30 | 624872                       | 628752                           |               |
|                              | 145 | 91  | 21 | -  | 19 | 624882                       | 628762                           |               |
|                              | 205 | 152 | 21 | -  | 19 | 624892                       | 628772                           |               |

- Item code for order = Part. + Code
- Footplate material: reinforced polyamide PA FV (black) and reinforced polypropylene PP FV (black).
  - Packaging: 8 pieces.
  - Anti-slip supplied separately (on request supplied fixed to the foot).
  - On request different length.
  - Fmax. = maximum applicable load in static conditions.



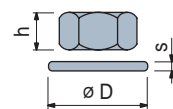
### Accessories

#### Anti-slip



- Code with reinforcement disc: **R000630082**.
- Code without reinforcement disc: **R000630092**.
- Assembly: with screws for plate supplied loose.
- Material: NBR rubber (black), 80 Shore.
- Packaging: 8 pieces.

#### Nut + Washer



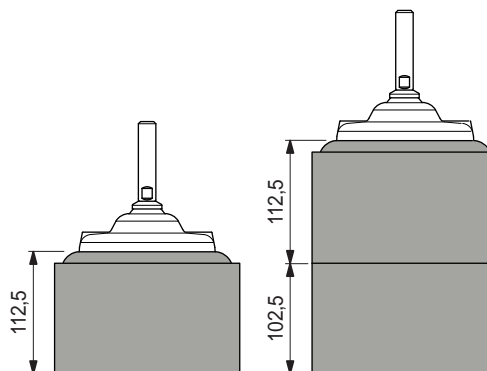
|     | Code                     |                   | h mm | øD mm | s mm |
|-----|--------------------------|-------------------|------|-------|------|
|     | Stainless steel AISI 304 | Zinc plated steel |      |       |      |
| M16 | R000630212               | R000630142        | 13   | 24    | 30   |
| M20 | R000630222               | R000630152        | 16   | 30    | 37   |
| M24 | R000630232               | R000630162        | 19   | 36    | 44   |
| M30 | R000630242               | R000630172        | 24   | 46    | 56   |

Packaging: 8 pieces

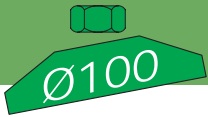
### Part. R0726 - Spacer



- Code: **688772**.
- Material: acetal POM (black).
- Weight: 1,15 Kg.
- Packaging: 8 pieces.



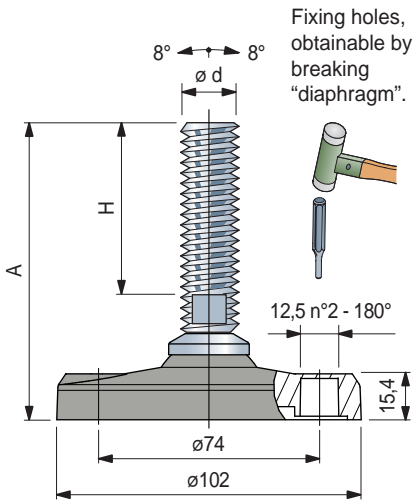




# Articulated Feet in reinforced polyamide

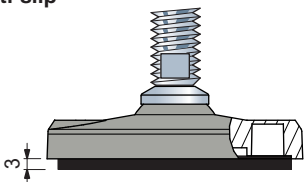
- ✔ Best Seller
- ✔ Standard
- On request

Part. R0134



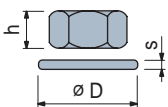
## Accessories

### Anti-slip



- Code: **R0000630052**.
- Material: NBR rubber (black), 70 Shore.
- Assembly: press-fit.
- Packaging: 24 pieces

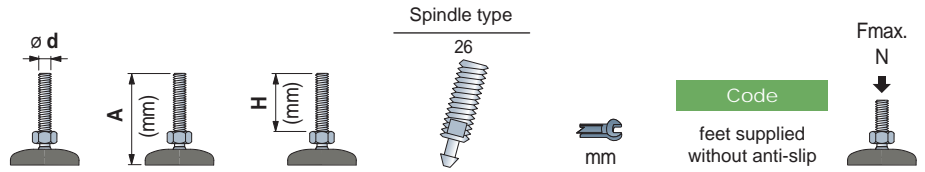
### Nut + Washer



#### Code

|     | Stainless steel<br>AISI 304 | Zinc plated<br>steel | h<br>mm | h<br>mm | øD<br>mm | s<br>mm |
|-----|-----------------------------|----------------------|---------|---------|----------|---------|
| M16 | R0000630212                 | R0000630142          | 13      | 24      | 30       | 3       |
| M20 | R0000630222                 | R0000630152          | 16      | 30      | 37       | 3       |
| M24 | R0000630232                 | R0000630162          | 19      | 36      | 44       | 4       |
| M30 | R0000630242                 | R0000630172          | 24      | 46      | 56       | 4       |

Packaging: 8 pieces



### Spindle in stainless steel

|     | A (mm) | H (mm) | Spindle type | mm | Code   | Fmax. N |
|-----|--------|--------|--------------|----|--------|---------|
| M16 | 150    | 110    | 26           | 13 | 627413 | 20000   |
|     | 180    | 140    | 26           | 13 | 627423 |         |
| M20 | 180    | 139    | 26           | 17 | 627433 |         |
|     | 195    | 147    | 26           | 19 | 627443 |         |
| M24 | 225    | 177    | 26           | 19 | 627453 |         |

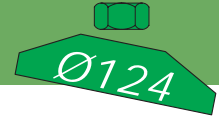
### Spindle in zinc plated steel

|     | A (mm) | H (mm) | Spindle type | mm | Code   | Fmax. N |
|-----|--------|--------|--------------|----|--------|---------|
| M20 | 150    | 109    | 26           | 17 | 627483 | 20000   |
|     | 180    | 139    | 26           | 17 | 627493 |         |

Item code for order = Part. + Code

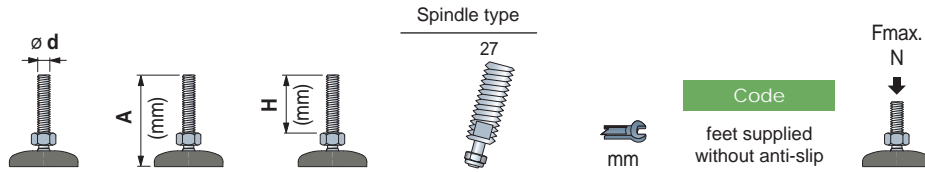
- Footplate material: reinforced polyamide PA FV (black).
- Packaging: 24 pieces.
- Anti-slip supplied separately.
- On request different length.
- Fmax. = maximum applicable load in static conditions.

# Articulated Feet in reinforced polyamide



- Best Seller
- Standard
- On request

Part. R0297



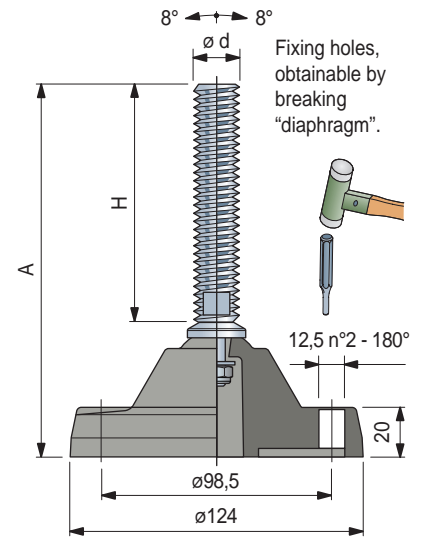
| Spindle in stainless steel |     |     |    |    |          |
|----------------------------|-----|-----|----|----|----------|
| M16                        | 185 | 115 | 27 | 13 | 629182N1 |
|                            | 210 | 140 | 27 | 13 | 629192N1 |
| M20                        | 210 | 140 | 27 | 17 | 629202N1 |
| M24                        | 245 | 175 | 27 | 19 | 680371N1 |
| M30                        | 195 | 125 | 27 | 24 | 629212N1 |
|                            | 250 | 180 | 27 | 24 | 629222N1 |

45000

| Spindle in zinc plated steel |     |     |    |    |          |
|------------------------------|-----|-----|----|----|----------|
| M20                          | 175 | 110 | 27 | 17 | 629232N1 |
|                              | 205 | 140 | 27 | 17 | 629242N1 |
| M30                          | 195 | 125 | 27 | 24 | 629252N1 |
|                              | 250 | 180 | 27 | 24 | 629262N1 |
|                              | 330 | 260 | 27 | 24 | 688071N1 |

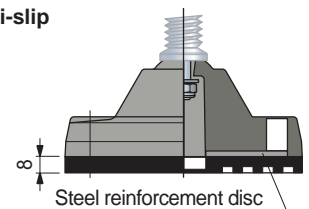
45000

- Item code for order = Part. + Code
- Footplate material: reinforced polyamide PA FV (black).
  - Packaging: 8 pieces.
  - Anti-slip supplied separately (on request supplied fixed to the foot).
  - On request different length.
  - Fmax. = maximum applicable load in static conditions.



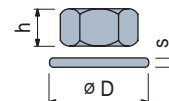
### Accessories

#### Anti-slip



- Code with reinforcement disc: **R000630082**.
- Code without reinforcement disc: **R000630092**.
- Assembly: with screws for plate supplied loose.
- Material: NBR rubber (black), 80 Shore.
- Packaging: 8 pieces.

#### Nut + Washer



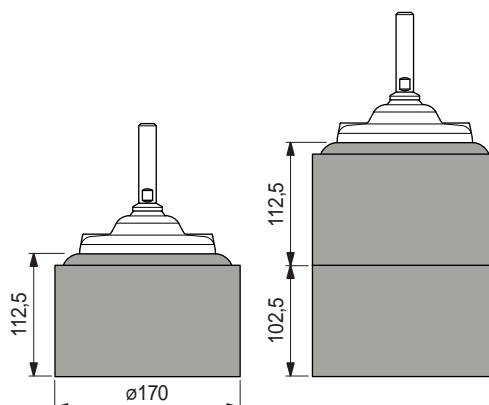
|     | Code                        |                      | h  | øD | s  |
|-----|-----------------------------|----------------------|----|----|----|
|     | Stainless steel<br>AISI 304 | Zinc plated<br>steel | mm | mm | mm |
| M16 | R000630212                  | R000630142           | 13 | 24 | 30 |
| M20 | R000630222                  | R000630152           | 16 | 30 | 37 |
| M24 | R000630232                  | R000630162           | 19 | 36 | 44 |
| M30 | R000630242                  | R000630172           | 24 | 46 | 56 |

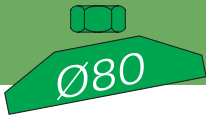
Packaging: 8 pieces

### Part. R0726 - Spacer



- Code: **688772**.
- Material: acetal POM (black).
- Weight: 1,15 Kg.
- Packaging: 8 pieces.

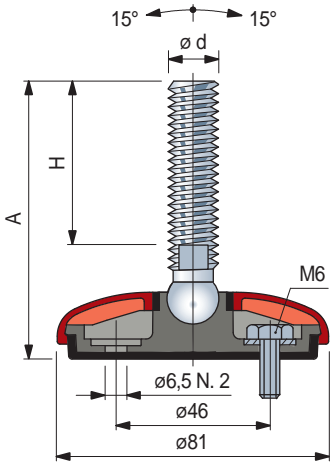




# Articulated Feet Gripper in reinforced polypropylene

- Best Seller
- Standard
- On request

Part. R0626



### Protection cap

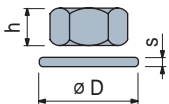
| Color  | Code        |
|--------|-------------|
| Orange | R0626641942 |
| Black  | R0626641952 |



- Material: polypropylene PP.
- Packaging: 24 pieces.

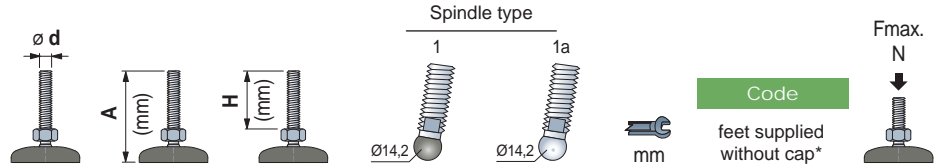
### Accessories

#### Nut + Washer



|     | Code        | Stainless steel<br>AISI 304 | Zinc plated<br>steel | h<br>mm | øD<br>mm | s<br>mm |     |
|-----|-------------|-----------------------------|----------------------|---------|----------|---------|-----|
| M10 | R0000630182 | R0000630112                 |                      | 8       | 17       | 21      | 2   |
| M12 | R0000630192 | R0000630122                 |                      | 10      | 19       | 24      | 2,5 |
| M14 | R0000630202 | R0000630132                 |                      | 11      | 22       | 28      | 2,5 |
| M16 | R0000630212 | R0000630142                 |                      | 13      | 24       | 30      | 3   |
| M20 | R0000630222 | R0000630152                 |                      | 16      | 30       | 37      | 3   |
| M24 | R0000630232 | R0000630162                 |                      | 19      | 36       | 44      | 4   |

Packaging: 24 pieces (for M10),  
8 pieces (for M12, M14, M16, M20, M24)



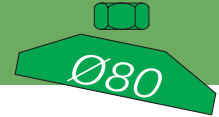
| Spindle in stainless steel |        |        |              |    |    |               | Code  | feet supplied without cap* | Fmax.<br>N |
|----------------------------|--------|--------|--------------|----|----|---------------|-------|----------------------------|------------|
| M                          | A (mm) | H (mm) | Spindle type | mm |    |               |       |                            |            |
| M10                        | 100    | 70     | 1            | -  | 8  | <b>627533</b> | 8000  |                            |            |
| M12                        | 85     | 55     | 1            | -  | 10 | <b>627543</b> |       |                            |            |
|                            | 145    | 115    | 1            | -  | 10 | <b>627553</b> |       |                            |            |
| M14                        | 110    | 76     | -            | 1a | 13 | <b>641712</b> | 10000 |                            |            |
|                            | 100    | 64     | -            | 1a | 13 | <b>641722</b> |       |                            |            |
| M16                        | 115    | 81     | -            | 1a | 13 | <b>641732</b> |       |                            |            |
|                            | 160    | 124    | -            | 1a | 13 | <b>641742</b> |       |                            |            |
|                            | 185    | 151    | -            | 1a | 13 | <b>641752</b> |       |                            |            |
| M20                        | 120    | 84     | -            | 1a | 16 | <b>641762</b> |       |                            |            |
|                            | 185    | 149    | -            | 1a | 16 | <b>641772</b> |       |                            |            |
| M24                        | 185    | 146    | -            | 1a | 19 | <b>641782</b> |       |                            |            |

| Spindle in zinc plated steel |        |        |              |    |    |               | Code  | feet supplied without cap* | Fmax.<br>N |
|------------------------------|--------|--------|--------------|----|----|---------------|-------|----------------------------|------------|
| M                            | A (mm) | H (mm) | Spindle type | mm |    |               |       |                            |            |
| M10                          | 60     | 30     | 1            | -  | 8  | <b>602603</b> | 8000  |                            |            |
| M12                          | 100    | 70     | 1            | -  | 10 | <b>627593</b> |       |                            |            |
| M14                          | 90     | 56     | -            | 1a | 11 | <b>641792</b> | 10000 |                            |            |
|                              | 95     | 61     | -            | 1a | 13 | <b>641812</b> |       |                            |            |
|                              | 130    | 96     | -            | 1a | 13 | <b>641822</b> |       |                            |            |
| M16                          | 150    | 116    | -            | 1a | 13 | <b>641832</b> |       |                            |            |
|                              | 185    | 151    | -            | 1a | 13 | <b>641842</b> |       |                            |            |
|                              | 235    | 201    | -            | 1a | 13 | <b>627613</b> |       |                            |            |
|                              | 135    | 100    | -            | 1a | 16 | <b>641862</b> |       |                            |            |
| M20                          | 185    | 150    | -            | 1a | 16 | <b>641872</b> |       |                            |            |
|                              | 250    | 214    | -            | 1a | 16 | <b>641882</b> |       |                            |            |
| M24                          | 120    | 81     | -            | 1a | 19 | <b>641892</b> |       |                            |            |
|                              | 185    | 146    | -            | 1a | 19 | <b>641902</b> |       |                            |            |

Item code for order = Part. + Code

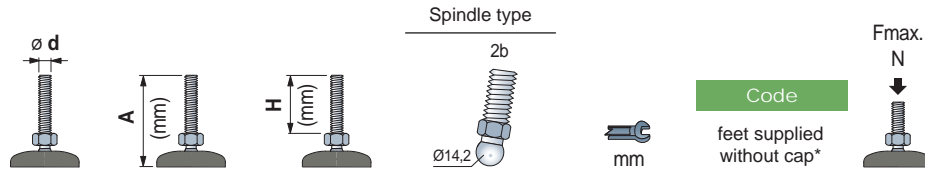
- \* = Feet are supplied without protection caps. Caps have to be ordered separately, indicating selected colour.
- Base material: reinforced polypropylene with integrated anti-slip in thermoplastic rubber grey (70 Shore).
- The sealing of the internal structure guarantees a better hygiene.
- Feet can be fixed to the floor.
- Note: for spindles type 1 ball in reinforced polyamide.
- Packaging: 24 pieces.
- On request different length.
- Fmax. = maximum applicable load in static conditions.

# Articulated Feet Gripper in reinforced polypropylene



- Best Seller
- Standard
- ✓ On request

Part. R0626



| Spindle in stainless steel |     |     |    |    |        |
|----------------------------|-----|-----|----|----|--------|
| M10                        | 95  | 67  | 2b | 14 | 641392 |
|                            | 85  | 55  | 2b | 14 | 641402 |
| M12                        | 145 | 115 | 2b | 14 | 641412 |

10000

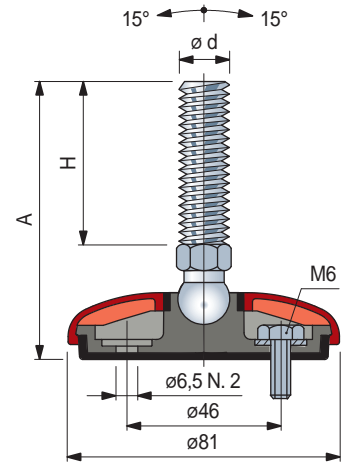
| Spindle in zinc plated steel |     |     |    |    |        |
|------------------------------|-----|-----|----|----|--------|
| M10                          | 60  | 30  | 2b | 14 | 641522 |
|                              | 95  | 65  | 2b | 14 | 641532 |
|                              | 145 | 115 | 2b | 14 | 641542 |
| M12                          | 65  | 35  | 2b | 14 | 641552 |
|                              | 100 | 70  | 2b | 14 | 641562 |
|                              | 120 | 90  | 2b | 14 | 641572 |
| M16                          | 80  | 48  | 2b | 16 | 641592 |
|                              | 100 | 68  | 2b | 16 | 641602 |
|                              | 120 | 89  | 2b | 16 | 641612 |
|                              | 160 | 130 | 2b | 16 | 643052 |
|                              | 195 | 165 | 2b | 16 | 641632 |
|                              | 235 | 201 | 2b | 16 | 641642 |

10000

Item code for order = Part. + Code

\* = Feet are supplied without protection caps. Caps have to be ordered separately, indicating selected colour.

- Base material: reinforced polypropylene with integrated anti-slip in thermoplastic rubber grey (70 Shore).
- The sealing of the internal structure guarantees a better hygiene.
- Feet can be fixed to the floor.
- Packaging: 24 pieces.
- On request different length.
- Fmax. = maximum applicable load in static conditions.



### Protection cap

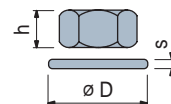
| Color  | Code        |
|--------|-------------|
| Orange | R0626641942 |
| Black  | R0626641952 |



- Material: polypropylene PP.
- Packaging: 24 pieces.

### Accessories

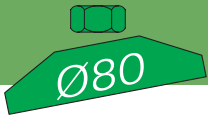
#### Nut + Washer



|     | Code        | Stainless steel<br>AISI 304 | Zinc plated<br>steel | h<br>mm | ø D<br>mm | s<br>mm |
|-----|-------------|-----------------------------|----------------------|---------|-----------|---------|
| M10 | R0000630182 | R0000630112                 |                      | 8       | 17        | 21 2    |
| M12 | R0000630192 | R0000630122                 |                      | 10      | 19        | 24 2,5  |
| M14 | R0000630202 | R0000630132                 |                      | 11      | 22        | 28 2,5  |
| M16 | R0000630212 | R0000630142                 |                      | 13      | 24        | 30 3    |
| M20 | R0000630222 | R0000630152                 |                      | 16      | 30        | 37 3    |
| M24 | R0000630232 | R0000630162                 |                      | 19      | 36        | 44 4    |

Packaging: 24 pieces (for M10).

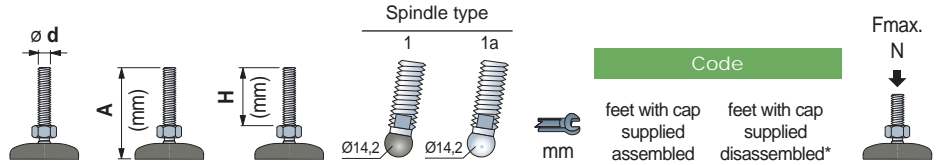
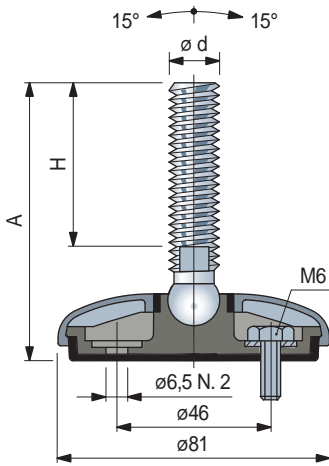
8 pieces (for M12, M14, M16, M20, M24)



# Articulated Feet Gripper in stainless steel

- ✔ Best Seller
- ✔ Standard
- On request

Part. R0627



| Spindle in stainless steel |     |     |   |    |    |        |        |       |
|----------------------------|-----|-----|---|----|----|--------|--------|-------|
| M10                        | 100 | 70  | 1 | -  | 8  | 627623 | 627653 | 8000  |
|                            | 85  | 55  | 1 | -  | 10 | 627633 | 627663 |       |
|                            | 145 | 115 | 1 | -  | 10 | 627643 | 627673 |       |
| M14                        | 110 | 76  | - | 1a | 13 | 642102 | 647322 | 10000 |
|                            | 100 | 64  | - | 1a | 13 | 642112 | 647332 |       |
| M16                        | 115 | 81  | - | 1a | 13 | 642122 | 647342 |       |
|                            | 160 | 124 | - | 1a | 13 | 642132 | 647352 |       |
|                            | 185 | 151 | - | 1a | 13 | 642142 | 647362 |       |
| M20                        | 120 | 84  | - | 1a | 16 | 642152 | 647372 |       |
|                            | 185 | 149 | - | 1a | 16 | 642162 | 647382 |       |
| M24                        | 185 | 149 | - | 1a | 19 | 642172 | 647392 |       |

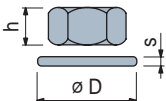
Item code for order = Part. + Code

\* = Feet can be fixed to the floor.

- Protection cap material: stainless steel AISI 304.
- Base material: reinforced polypropylene with integrated anti-slip in thermoplastic rubber grey (70 Shore).
- The sealing of the internal structure guarantees a better hygiene.
- Note: for spindles type 1 ball in reinforced polyamide.
- Packaging: 24 pieces.
- On request different length.
- Fmax. = maximum applicable load in static conditions.

## Accessories

### Nut + Washer

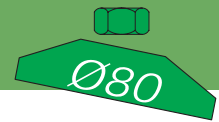


| Code                     |             | h  | ØD | s  |
|--------------------------|-------------|----|----|----|
| Stainless steel AISI 304 |             | mm | mm | mm |
| M10                      | R0000630182 | 8  | 17 | 21 |
| M12                      | R0000630192 | 10 | 19 | 24 |
| M14                      | R0000630202 | 11 | 22 | 28 |
| M16                      | R0000630212 | 13 | 24 | 30 |
| M20                      | R0000630222 | 16 | 30 | 37 |
| M24                      | R0000630232 | 19 | 36 | 44 |

Packaging: 24 pieces (for M10).

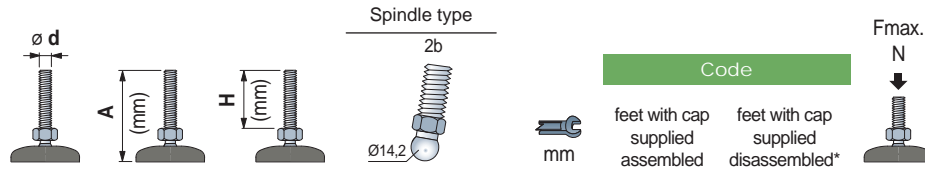
8 pieces (for M12, M14, M16, M20, M24)

# Articulated Feet Gripper in stainless steel



- Best Seller
- Standard
- ✓ On request

Part. R0627

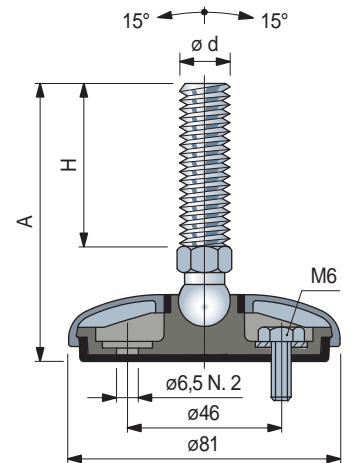


| Spindle in stainless steel |        |        |              |    |                                  |                                      |         |
|----------------------------|--------|--------|--------------|----|----------------------------------|--------------------------------------|---------|
|                            | A (mm) | H (mm) | Spindle type | mm | Code                             |                                      | Fmax. N |
|                            |        |        |              |    | feet with cap supplied assembled | feet with cap supplied disassembled* |         |
| M10                        | 95     | 67     | 2b           | 14 | 641972                           | 647292                               | 10000   |
|                            | 85     | 55     | 2b           | 14 | 641982                           | 647302                               |         |
| M12                        | 145    | 115    | 2b           | 14 | 641992                           | 647312                               |         |
|                            |        |        |              |    |                                  |                                      |         |

Item code for order = Part. + Code

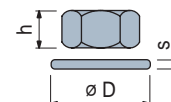
\* = Feet can be fixed to the floor.

- Protection cap material: stainless steel AISI 304.
- Base material: reinforced polypropylene with integrated anti-slip in thermoplastic rubber grey (70 Shore).
- The sealing of the internal structure guarantees a better hygiene.
- Note: for spindles type 1 ball in reinforced polyamide.
- Packaging: 24 pieces.
- On request different length.
- Fmax. = maximum applicable load in static conditions.



## Accessories

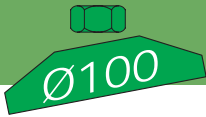
### Nut + Washer



|     | Code               | Stainless steel AISI 304 | h mm | ø D mm | s mm |
|-----|--------------------|--------------------------|------|--------|------|
| M10 | <b>R0000630182</b> |                          | 8    | 17     | 2    |
| M12 | <b>R0000630192</b> |                          | 10   | 19     | 2,5  |
| M14 | <b>R0000630202</b> |                          | 11   | 22     | 2,5  |
| M16 | <b>R0000630212</b> |                          | 13   | 24     | 3    |
| M20 | <b>R0000630222</b> |                          | 16   | 30     | 3    |
| M24 | <b>R0000630232</b> |                          | 19   | 36     | 4    |

Packaging: 24 pieces (for M10).

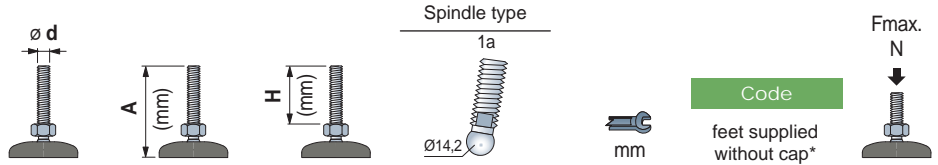
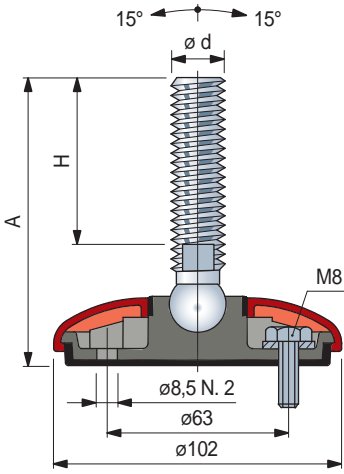
8 pieces (for M12, M14, M16, M20, M24)



# Articulated Feet Gripper in reinforced polypropylene

- Best Seller
- Standard
- On request

Part. R0622



| Spindle in stainless steel |     |     |    |    |                |
|----------------------------|-----|-----|----|----|----------------|
| M14                        | 115 | 76  | 1a | 11 | <b>643542</b>  |
|                            | 105 | 64  | 1a | 13 | <b>643552</b>  |
|                            | 120 | 81  | 1a | 13 | <b>643562</b>  |
| M16                        | 150 | 100 | 1a | 13 | <b>640372N</b> |
|                            | 165 | 124 | 1a | 13 | <b>643572</b>  |
|                            | 190 | 151 | 1a | 13 | <b>643582</b>  |
|                            | 200 | 150 | 1a | 13 | <b>640392N</b> |
| M20                        | 125 | 84  | 1a | 16 | <b>643592</b>  |
|                            | 190 | 149 | 1a | 16 | <b>643602</b>  |
| M24                        | 120 | 74  | 1a | 19 | <b>640402N</b> |
|                            | 190 | 146 | 1a | 19 | <b>643612</b>  |
|                            | 220 | 172 | 1a | 19 | <b>640412N</b> |

| Spindle in zinc plated steel |     |     |    |    |                |
|------------------------------|-----|-----|----|----|----------------|
| M14                          | 95  | 56  | 1a | 11 | <b>643622</b>  |
|                              | 100 | 61  | 1a | 13 | <b>643632</b>  |
| M16                          | 135 | 96  | 1a | 13 | <b>643642</b>  |
|                              | 155 | 116 | 1a | 13 | <b>643652</b>  |
|                              | 190 | 151 | 1a | 13 | <b>643662</b>  |
| M20                          | 120 | 74  | 1a | 16 | <b>637382N</b> |
|                              | 140 | 100 | 1a | 16 | <b>643672</b>  |
|                              | 155 | 106 | 1a | 16 | <b>637392N</b> |
|                              | 190 | 150 | 1a | 16 | <b>643682</b>  |
|                              | 255 | 214 | 1a | 16 | <b>643692</b>  |
| M24                          | 125 | 81  | 1a | 19 | <b>643702</b>  |
|                              | 190 | 146 | 1a | 19 | <b>643712</b>  |

### Protection cap

| Color  | Code               |
|--------|--------------------|
| Orange | <b>R0622637082</b> |
| Black  | <b>R0622639412</b> |



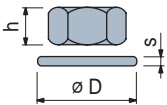
- Material: polypropylene PP.
- Packaging: 24 pieces.

Item code for order = Part. + Code

- \* = Feet are supplied without protection caps. Caps have to be ordered separately, indicating selected colour.
- Base material: reinforced polypropylene with integrated anti-slip in thermoplastic rubber grey (70 Shore).
- The sealing of the internal structure guarantees a better hygiene.
- Feet can be fixed to the floor.
- Packaging: 24 pieces.
- On request different length.
- Fmax. = maximum applicable load in static conditions.

### Accessories

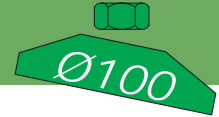
#### Nut + Washer



|     | Stainless steel<br>AISI 304 | Zinc plated<br>steel | h<br>mm | øD<br>mm | s<br>mm |
|-----|-----------------------------|----------------------|---------|----------|---------|
| M14 | <b>R0000630202</b>          | <b>R0000630132</b>   | 11      | 22       | 2,5     |
| M16 | <b>R0000630212</b>          | <b>R0000630142</b>   | 13      | 24       | 3       |
| M20 | <b>R0000630222</b>          | <b>R0000630152</b>   | 16      | 30       | 3       |
| M24 | <b>R0000630232</b>          | <b>R0000630162</b>   | 19      | 36       | 4       |

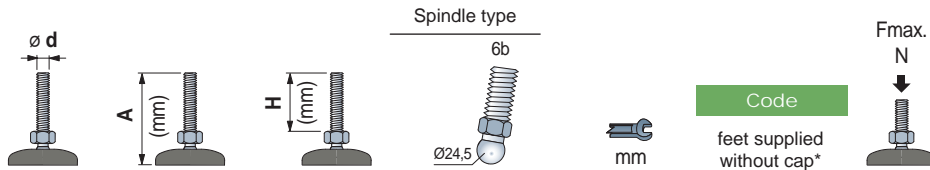
Packaging: 8 pieces.

# Articulated Feet Gripper in reinforced polypropylene



Part. R0622

- Best Seller
- Standard
- ✓ On request



| Spindle in stainless steel |     |     |    |    |        |
|----------------------------|-----|-----|----|----|--------|
| M16                        | 115 | 74  | 6b | 24 | 637262 |
|                            | 150 | 109 | 6b | 24 | 637272 |
|                            | 185 | 144 | 6b | 24 | 637282 |
| M20                        | 200 | 159 | 6b | 24 | 637292 |
|                            | 120 | 76  | 6b | 24 | 637442 |
| M20                        | 185 | 141 | 6b | 24 | 637452 |
|                            | 120 | 79  | 6b | 24 | 637322 |
| M20                        | 220 | 179 | 6b | 24 | 637332 |

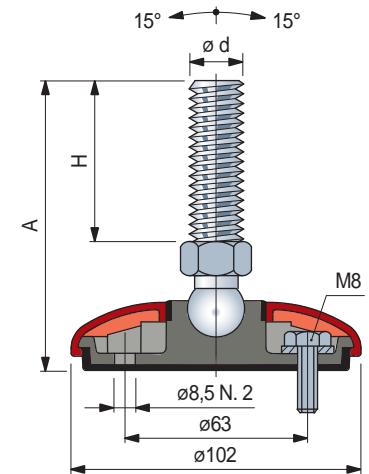
19500

| Spindle in zinc plated steel |     |     |    |    |        |
|------------------------------|-----|-----|----|----|--------|
| M16                          | 95  | 54  | 6b | 24 | 637342 |
|                              | 130 | 89  | 6b | 24 | 637352 |
|                              | 160 | 119 | 6b | 24 | 637362 |
| M20                          | 195 | 154 | 6b | 24 | 637372 |
|                              | 120 | 76  | 6b | 24 | 637462 |
| M20                          | 155 | 111 | 6b | 24 | 637472 |
|                              | 185 | 141 | 6b | 24 | 637482 |
| M24                          | 250 | 206 | 6b | 24 | 637492 |
|                              | 120 | 79  | 6b | 24 | 637422 |
| M24                          | 185 | 144 | 6b | 24 | 637432 |

19500

Item code for order = Part. + Code

- \* = Feet are supplied without protection caps. Caps have to be ordered separately, indicating selected colour.
- Base material: reinforced polypropylene with integrated anti-slip in thermoplastic rubber grey (70 Shore).
- The sealing of the internal structure guarantees a better hygiene.
- Feet can be fixed to the floor.
- Packaging: 24 pieces.
- On request different length.
- Fmax. = maximum applicable load in static conditions.



### Protection cap

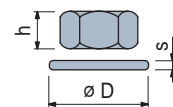
| Color  | Code        |
|--------|-------------|
| Orange | R0622637082 |
| Black  | R0622639412 |



- Material: polypropylene PP.
- Packaging: 24 pieces.

### Accessories

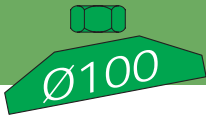
#### Nut + Washer



|     | Code                        |                      | h  | ø D | s      |
|-----|-----------------------------|----------------------|----|-----|--------|
|     | Stainless steel<br>AISI 304 | Zinc plated<br>steel | mm | mm  | mm     |
| M14 | R0000630202                 | R0000630132          | 11 | 22  | 28 2,5 |
| M16 | R0000630212                 | R0000630142          | 13 | 24  | 30 3   |
| M20 | R0000630222                 | R0000630152          | 16 | 30  | 37 3   |
| M24 | R0000630232                 | R0000630162          | 19 | 36  | 44 4   |

Packaging: 8 pieces.

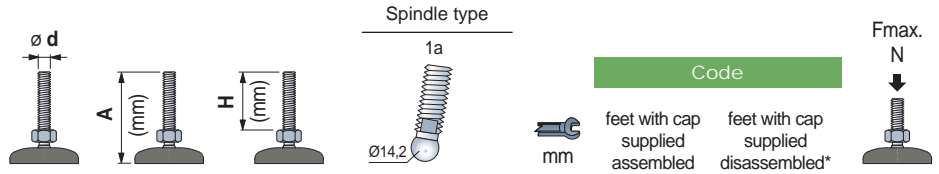
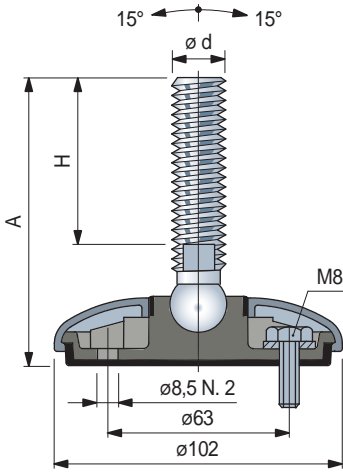




# Articulated Feet Gripper in stainless steel

- Best Seller
- Standard
- On request

Part. R0623



| Spindle in stainless steel |        |        |              |    |         |         |         |
|----------------------------|--------|--------|--------------|----|---------|---------|---------|
| M                          | A (mm) | H (mm) | Spindle type | mm | Code    | Code    | Fmax. N |
| M14                        | 115    | 76     | 1a           | 11 | 643722  | 647402  | 19500   |
|                            | 105    | 64     | 1a           | 13 | 643732  | 647412  |         |
|                            | 120    | 81     | 1a           | 13 | 643742  | 647442  |         |
| M16                        | 150    | 100    | 1a           | 13 | 640492N | 647462N |         |
|                            | 165    | 124    | 1a           | 13 | 643752  | 647472  |         |
|                            | 190    | 151    | 1a           | 13 | 643762  | 647502  |         |
|                            | 200    | 150    | 1a           | 13 | 640512N | 647522N |         |
| M20                        | 125    | 84     | 1a           | 16 | 643772  | 647552  |         |
|                            | 190    | 149    | 1a           | 16 | 643782  | 647582  |         |
| M24                        | 120    | 74     | 1a           | 19 | 640522N | 647602N |         |
|                            | 190    | 146    | 1a           | 19 | 643792  | 647612  |         |
|                            | 220    | 172    | 1a           | 19 | 640532N | 647632N |         |

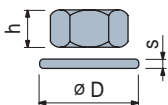
Item code for order = Part. + Code

\* = Feet can be fixed to the floor.

- Protection cap material: stainless steel AISI 304.
- Base material: reinforced polypropylene with integrated anti-slip in thermoplastic rubber grey (70 Shore).
- The sealing of the internal structure guarantees a better hygiene.
- Note: for spindles type 1 ball in reinforced polyamide.
- Packaging: 24 pieces.
- On request different length.
- Fmax. = maximum applicable load in static conditions.

## Accessories

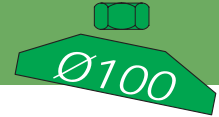
### Nut + Washer



| M   | Code        | h (mm) | s (mm) | ØD (mm) |
|-----|-------------|--------|--------|---------|
| M14 | R0000630202 | 11     | 22     | 28      |
| M16 | R0000630212 | 13     | 24     | 30      |
| M20 | R0000630222 | 16     | 30     | 37      |
| M24 | R0000630232 | 19     | 36     | 44      |

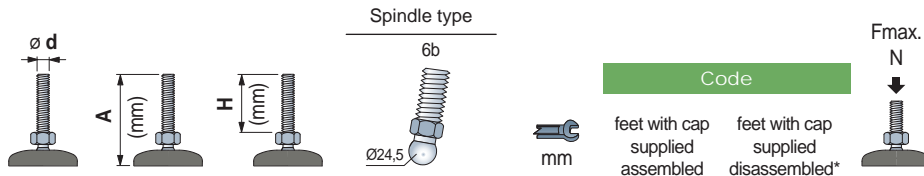
Packaging: 8 pieces

# Articulated Feet Gripper in stainless steel



- Best Seller
- Standard
- ✓ On request

Part. R0623

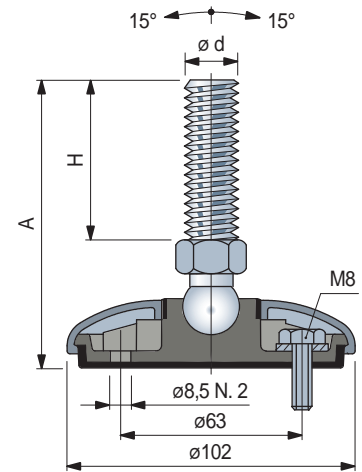


| Spindle in stainless steel |     |     |              |    |                                  |                                      |
|----------------------------|-----|-----|--------------|----|----------------------------------|--------------------------------------|
|                            |     |     | Spindle type | mm | Code                             | Fmax. N                              |
|                            |     |     | 6b           |    | feet with cap supplied assembled | feet with cap supplied disassembled* |
| M16                        | 115 | 74  | 6b           | 24 | 637512                           | 647422                               |
|                            | 150 | 109 | 6b           | 24 | 637522                           | 647452                               |
|                            | 185 | 144 | 6b           | 24 | 637532                           | 647482                               |
|                            | 200 | 159 | 6b           | 24 | 637542                           | 647512                               |
| M20                        | 120 | 74  | 6b           | 24 | 637692                           | 647532                               |
|                            | 185 | 139 | 6b           | 24 | 637702                           | 647562                               |
| M24                        | 120 | 79  | 6b           | 24 | 637572                           | 647592                               |
|                            | 220 | 179 | 6b           | 24 | 637582                           | 647622                               |

Item code for order = Part. + Code

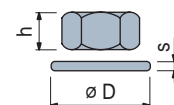
\* = Feet can be fixed to the floor.

- Protection cap material: stainless steel AISI 304.
- Base material: reinforced polypropylene with integrated anti-slip in thermoplastic rubber grey (70 Shore).
- The sealing of the internal structure guarantees a better hygiene.
- Note: for spindles type 1 ball in reinforced polyamide.
- Packaging: 24 pieces.
- On request different length.
- Fmax. = maximum applicable load in static conditions.



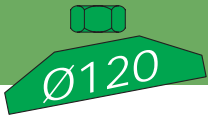
## Accessories

### Nut + Washer



|     | Code                     | h mm | s mm | øD mm |
|-----|--------------------------|------|------|-------|
|     | Stainless steel AISI 304 |      |      |       |
| M14 | R0000630202              | 11   | 22   | 28    |
| M16 | R0000630212              | 13   | 24   | 30    |
| M20 | R0000630222              | 16   | 30   | 37    |
| M24 | R0000630232              | 19   | 36   | 44    |

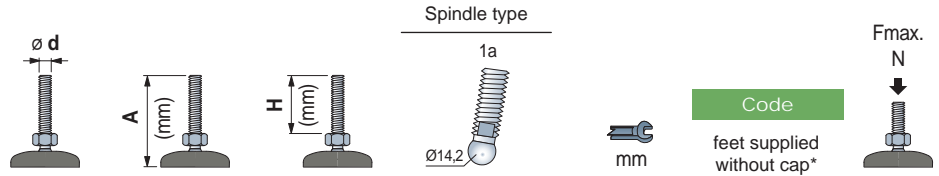
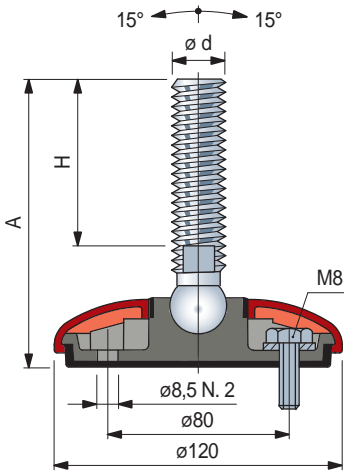
Packaging: 8 pieces



# Articulated Feet Gripper in reinforced polypropylene

- Best Seller
- Standard
- On request

Part. R0628



| Spindle in stainless steel |     |     |    |    |                |
|----------------------------|-----|-----|----|----|----------------|
| M14                        | 120 | 76  | 1a | 11 | <b>643802</b>  |
|                            | 110 | 64  | 1a | 13 | <b>643812</b>  |
|                            | 125 | 81  | 1a | 13 | <b>643822</b>  |
| M16                        | 155 | 100 | 1a | 13 | <b>642472N</b> |
|                            | 170 | 124 | 1a | 13 | <b>643832</b>  |
|                            | 195 | 151 | 1a | 13 | <b>643842</b>  |
|                            | 205 | 150 | 1a | 13 | <b>642512N</b> |
| M20                        | 130 | 84  | 1a | 16 | <b>643852</b>  |
|                            | 195 | 149 | 1a | 16 | <b>643862</b>  |
| M24                        | 125 | 74  | 1a | 19 | <b>642572N</b> |
|                            | 195 | 146 | 1a | 19 | <b>643872</b>  |
|                            | 225 | 172 | 1a | 19 | <b>642592N</b> |

| Spindle in zinc plated steel |     |     |    |    |                |
|------------------------------|-----|-----|----|----|----------------|
| M14                          | 100 | 56  | 1a | 11 | <b>643882</b>  |
|                              | 105 | 61  | 1a | 13 | <b>643892</b>  |
| M16                          | 140 | 96  | 1a | 13 | <b>643902</b>  |
|                              | 160 | 116 | 1a | 13 | <b>643912</b>  |
|                              | 195 | 151 | 1a | 13 | <b>643922</b>  |
| M20                          | 125 | 74  | 1a | 16 | <b>642692N</b> |
|                              | 145 | 100 | 1a | 16 | <b>643932</b>  |
|                              | 160 | 106 | 1a | 16 | <b>642712N</b> |
|                              | 195 | 150 | 1a | 16 | <b>643942</b>  |
| M24                          | 260 | 214 | 1a | 16 | <b>643952</b>  |
|                              | 130 | 81  | 1a | 19 | <b>643962</b>  |
|                              | 195 | 146 | 1a | 19 | <b>643972</b>  |

### Protection cap

| Color  | Code               |
|--------|--------------------|
| Orange | <b>R0628643092</b> |
| Black  | <b>R0628643102</b> |



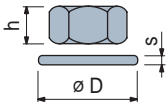
- Material: polypropylene PP.
- Packaging: 24 pieces.

Item code for order = Part. + Code

- \* = Feet are supplied without protection caps. Caps have to be ordered separately, indicating selected colour.
- Base material: reinforced polypropylene with integrated anti-slip in thermoplastic rubber grey (70 Shore).
- The sealing of the internal structure guarantees a better hygiene.
- Feet can be fixed to the floor.
- Packaging: 24 pieces.
- On request different length.
- Fmax. = maximum applicable load in static conditions.

### Accessories

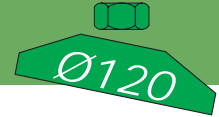
#### Nut + Washer



| Code                        |                      | h  | ø D | s      |
|-----------------------------|----------------------|----|-----|--------|
| Stainless steel<br>AISI 304 | Zinc plated<br>steel | mm | mm  | mm     |
| M14 <b>R0000630202</b>      | <b>R0000630132</b>   | 11 | 22  | 28 2,5 |
| M16 <b>R0000630212</b>      | <b>R0000630142</b>   | 13 | 24  | 30 3   |
| M20 <b>R0000630222</b>      | <b>R0000630152</b>   | 16 | 30  | 37 3   |
| M24 <b>R0000630232</b>      | <b>R0000630162</b>   | 19 | 36  | 44 4   |

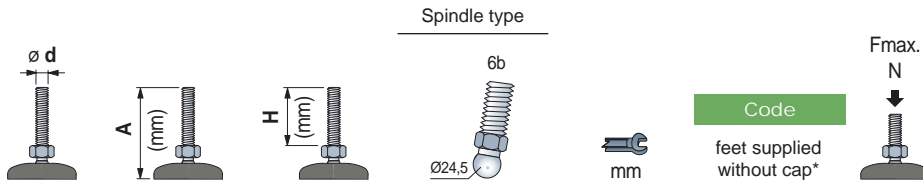
Packaging: 8 pieces.

# Articulated Feet Gripper in reinforced polypropylene



- Best Seller
- Standard
- ✓ On request

Part. R0628



| Spindle in stainless steel |     |     |    |    |        |
|----------------------------|-----|-----|----|----|--------|
| M16                        | 120 | 74  | 6b | 24 | 642442 |
|                            | 155 | 109 | 6b | 24 | 642462 |
|                            | 190 | 144 | 6b | 24 | 642482 |
|                            | 205 | 159 | 6b | 24 | 642502 |
| M20                        | 125 | 76  | 6b | 24 | 642522 |
|                            | 190 | 141 | 6b | 24 | 642542 |
| M20                        | 125 | 79  | 6b | 24 | 642562 |
|                            | 225 | 179 | 6b | 24 | 642582 |

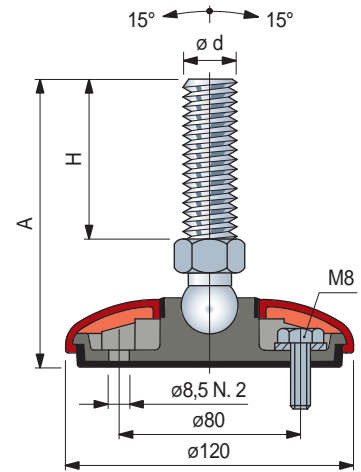
22000

| Spindle in zinc plated steel |     |     |    |    |        |
|------------------------------|-----|-----|----|----|--------|
| M16                          | 100 | 54  | 6b | 24 | 642602 |
|                              | 135 | 89  | 6b | 24 | 642622 |
|                              | 165 | 119 | 6b | 24 | 642642 |
|                              | 200 | 154 | 6b | 24 | 642662 |
| M20                          | 125 | 76  | 6b | 24 | 642682 |
|                              | 160 | 111 | 6b | 24 | 642702 |
|                              | 190 | 141 | 6b | 24 | 642722 |
| M24                          | 255 | 206 | 6b | 24 | 642742 |
|                              | 125 | 79  | 6b | 24 | 642762 |
|                              | 190 | 144 | 6b | 24 | 642782 |

22000

Item code for order = Part. + Code

- \* = Feet are supplied without protection caps. Caps have to be ordered separately, indicating selected colour.
- Base material: reinforced polypropylene with integrated anti-slip in thermoplastic rubber grey (70 Shore).
- The sealing of the internal structure guarantees a better hygiene.
- Feet can be fixed to the floor.
- Packaging: 24 pieces.
- On request different length.
- Fmax. = maximum applicable load in static conditions.



### Protection cap

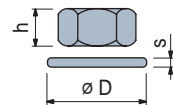
| Color  | Code        |
|--------|-------------|
| Orange | R0628643092 |
| Black  | R0628643102 |



- Material: polypropylene PP.
- Packaging: 24 pieces.

### Accessories

#### Nut + Washer






|     | Code                        |                      | h  | ø D | s      |
|-----|-----------------------------|----------------------|----|-----|--------|
|     | Stainless steel<br>AISI 304 | Zinc plated<br>steel | mm | mm  | mm     |
| M14 | R0000630202                 | R0000630132          | 11 | 22  | 28 2,5 |
| M16 | R0000630212                 | R0000630142          | 13 | 24  | 30 3   |
| M20 | R0000630222                 | R0000630152          | 16 | 30  | 37 3   |
| M24 | R0000630232                 | R0000630162          | 19 | 36  | 44 4   |

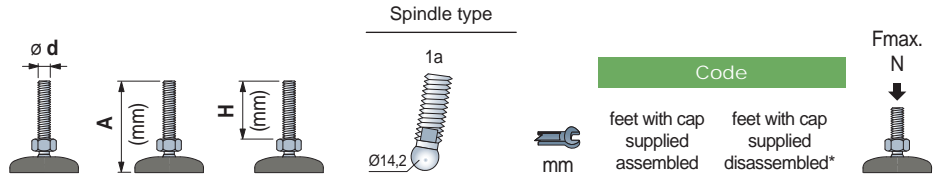
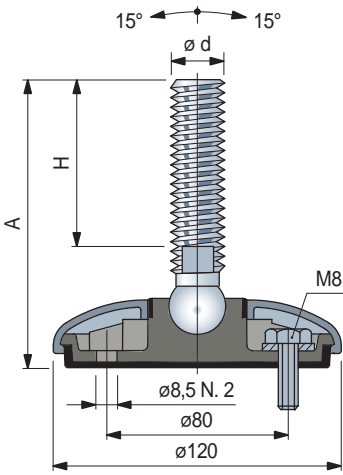
Packaging: 8 pieces.

Ø120

# Articulated Feet Gripper in stainless steel

-  Best Seller
-  Standard
-  On request

Part. R0629



| Spindle in stainless steel |     |     |    | Code                             |                                      | Fmax.<br>N |
|----------------------------|-----|-----|----|----------------------------------|--------------------------------------|------------|
|                            |     |     |    | feet with cap supplied assembled | feet with cap supplied disassembled* |            |
| M14                        | 120 | 76  | 1a | 11                               | 643982                               | 647642     |
|                            | 110 | 64  | 1a | 13                               | 643992                               | 647652     |
|                            | 125 | 81  | 1a | 13                               | 644002                               | 647682     |
| M16                        | 155 | 100 | 1a | 13                               | 642312N                              | 647702N    |
|                            | 170 | 124 | 1a | 13                               | 644012                               | 647712     |
|                            | 195 | 151 | 1a | 13                               | 644022                               | 647742     |
|                            | 205 | 150 | 1a | 13                               | 642352N                              | 647762N    |
| M20                        | 130 | 84  | 1a | 16                               | 644032                               | 647792     |
|                            | 195 | 149 | 1a | 16                               | 644042                               | 647822     |
| M24                        | 125 | 74  | 1a | 19                               | 642412N                              | 647842N    |
|                            | 195 | 146 | 1a | 19                               | 644052                               | 647852     |
|                            | 225 | 172 | 1a | 19                               | 642432N                              | 647872N    |

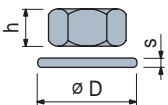
Item code for order = Part. + Code


\* = Feet can be fixed to the floor.

- Base material: reinforced polypropylene with integrated anti-slip in thermoplastic rubber grey (70 Shore).
- The sealing of the internal structure guarantees a better hygiene.
- Feet can be fixed to the floor.
- Packaging: 24 pieces.
- On request different length.
- Fmax. = maximum applicable load in static conditions.

## Accessories

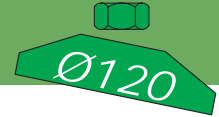
### Nut + Washer



|                             | Code        | h<br>mm |  ØD<br>mm | s<br>mm |
|-----------------------------|-------------|---------|--|---------|
| Stainless steel<br>AISI 304 |             |         |  |         |
| M14                         | R0000630202 | 11      | 22   | 2,5     |
| M16                         | R0000630212 | 13      | 24   | 3       |
| M20                         | R0000630222 | 16      | 30   | 3       |
| M24                         | R0000630232 | 19      | 36   | 4       |

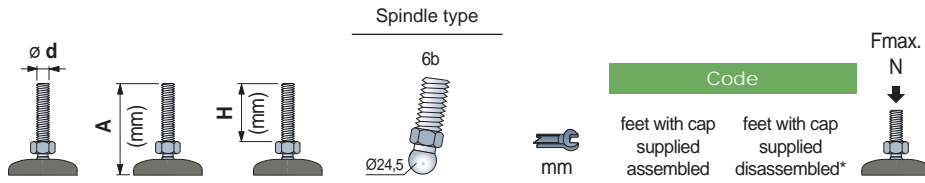
Packaging: 8 pieces

# Articulated Feet Gripper in stainless steel



- Best Seller
- Standard
- ✓ On request

Part. R0629



| Spindle in stainless steel |                 |      |              |    |  |  |
|----------------------------|-----------------|------|--------------|----|--|--|
|                            | $\varnothing d$ | $H$  | Spindle type | mm | Code                                   | $F_{max.}$<br>N                            |
|                            | (mm)            | (mm) |              |    | feet with cap<br>supplied<br>assembled | feet with cap<br>supplied<br>disassembled* |
| <b>M16</b>                 | 120             | 74   | 6b           | 24 | 642282                                 | 647662                                     |
|                            | 155             | 109  | 6b           | 24 | 642302                                 | 647692                                     |
|                            | 190             | 144  | 6b           | 24 | 642322                                 | 647722                                     |
|                            | 205             | 159  | 6b           | 24 | 642342                                 | 647752                                     |
| <b>M20</b>                 | 125             | 76   | 6b           | 24 | 642362                                 | 647772                                     |
|                            | 190             | 141  | 6b           | 24 | 642382                                 | 647802                                     |
| <b>M24</b>                 | 125             | 79   | 6b           | 24 | 642402                                 | 647832                                     |
|                            | 225             | 179  | 6b           | 24 | 642422                                 | 647862                                     |

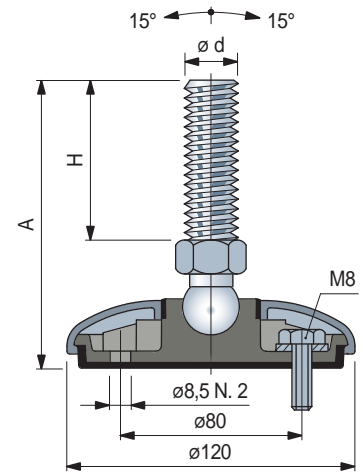
22000



Item code for order = Part. + Code

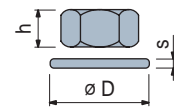
\* = Feet can be fixed to the floor.

- Base material: reinforced polypropylene with integrated anti-slip in thermoplastic rubber grey (70 Shore).
- The sealing of the internal structure guarantees a better hygiene.
- Feet can be fixed to the floor.
- Packaging: 24 pieces.
- On request different length.
- $F_{max.}$  = maximum applicable load in static conditions.



## Accessories

### Nut + Washer



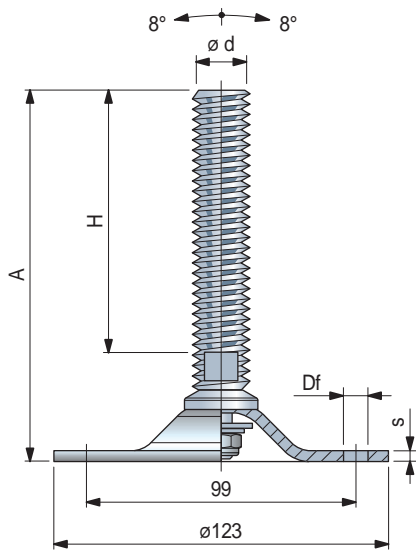
|     | Code               | Stainless steel<br>AISI 304 | h<br>mm | $\varnothing D$<br>mm | s<br>mm |
|-----|--------------------|-----------------------------|---------|-----------------------|---------|
| M14 | <b>R0000630202</b> |                             | 11      | 22                    | 28 2,5  |
| M16 | <b>R0000630212</b> |                             | 13      | 24                    | 30 3    |
| M20 | <b>R0000630222</b> |                             | 16      | 30                    | 37 3    |
| M24 | <b>R0000630232</b> |                             | 19      | 36                    | 44 4    |

Packaging: 8 pieces

Ø123

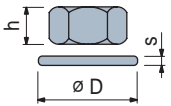
Part. R0349 4 holes

Part. R0441 2 holes



**Accessories**

**Nut + Washer**



Code

|     | Stainless steel<br>AISI 304 | Zinc plated<br>steel | h<br>mm | øD<br>mm | s<br>mm |   |
|-----|-----------------------------|----------------------|---------|----------|---------|---|
| M16 | R0000630212                 | R0000630142          | 13      | 24       | 30      | 3 |
| M20 | R0000630222                 | R0000630152          | 16      | 30       | 37      | 3 |
| M24 | R0000630232                 | R0000630162          | 19      | 36       | 44      | 4 |
| M30 | R0000630242                 | R0000630172          | 24      | 46       | 56      | 4 |

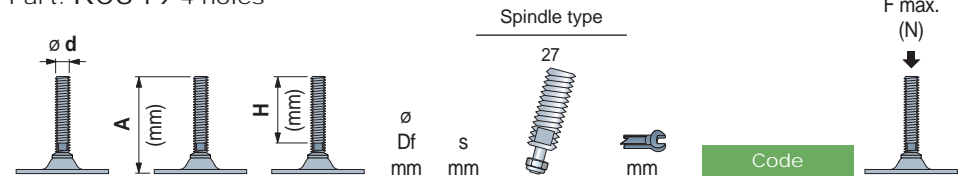
Packaging: 8 pieces.

# Articulated feet

in stainless steel and zinc plated steel

- Best Seller
- Standard
- On request

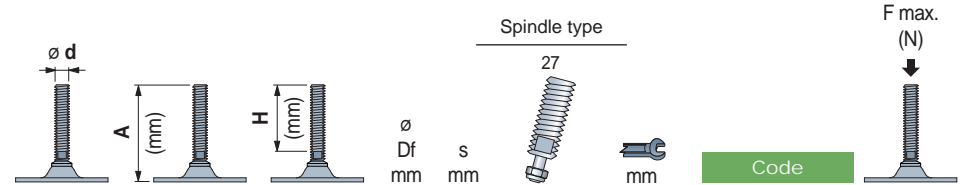
Part. R0349 4 holes



| Feet in stainless steel |     |     |   |   |    |    |          | 6000 |
|-------------------------|-----|-----|---|---|----|----|----------|------|
| M16                     | 180 | 140 | 9 | 3 | 27 | 13 | 682721N1 |      |
| M20                     | 180 | 140 | 9 | 3 | 27 | 17 | 68165N1  |      |
| M24                     | 220 | 175 | 9 | 3 | 27 | 19 | 63747N1  |      |
| M30                     | 165 | 125 | 9 | 3 | 27 | 24 | 63757N1  |      |
|                         | 225 | 180 | 9 | 3 | 27 | 24 | 682741N1 |      |

| Feet in zinc plated steel |     |     |   |   |    |    |          | 10000 |
|---------------------------|-----|-----|---|---|----|----|----------|-------|
| M20                       | 145 | 110 | 9 | 4 | 27 | 17 | 682681N1 |       |
|                           | 175 | 140 | 9 | 4 | 27 | 17 | 65634N1  |       |
|                           | 245 | 210 | 9 | 4 | 27 | 17 | 64045N1  |       |
| M24                       | 120 | 75  | 9 | 4 | 27 | 19 | 682691N1 |       |
|                           | 150 | 105 | 9 | 4 | 27 | 19 | 604432N1 |       |
|                           | 220 | 175 | 9 | 4 | 27 | 19 | 65054N1  |       |
| M30                       | 270 | 225 | 9 | 4 | 27 | 19 | 688131N1 |       |
|                           | 165 | 125 | 9 | 4 | 27 | 24 | 65644N1  |       |
|                           | 220 | 180 | 9 | 4 | 27 | 24 | 682711N1 |       |
|                           | 300 | 260 | 9 | 4 | 27 | 24 | 688141N1 |       |

Part. R0441 2 holes



| Feet in zinc plated steel |     |     |      |   |    |    |          | 10000 |
|---------------------------|-----|-----|------|---|----|----|----------|-------|
| M24                       | 150 | 105 | 15,5 | 4 | 27 | 19 | 600531N1 |       |

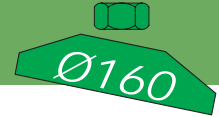
Item code for order = Part. + Code

- Packaging: 8 pieces.

- On request different length.

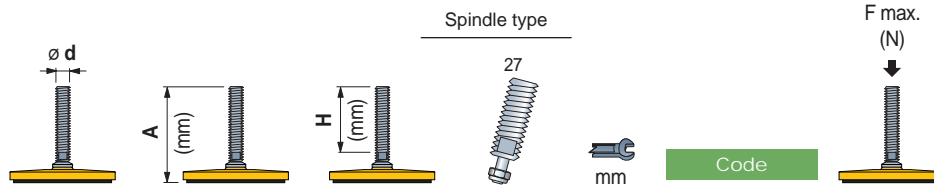
- Fmax. = maximum applicable load in static conditions.

# Articulated feet in painted steel



- Best Seller
- Standard
- ✓ On request

Part. R0408



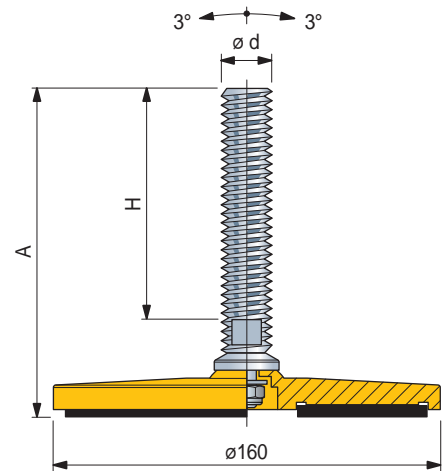
| Spindle in stainless steel |     |     |    |    |          |
|----------------------------|-----|-----|----|----|----------|
| M16                        | 180 | 140 | 27 | 13 | 678831N1 |
| M20                        | 180 | 140 | 27 | 17 | 678841N1 |
| M24                        | 220 | 175 | 27 | 19 | 678851N1 |
| M30                        | 165 | 125 | 27 | 24 | 678861N1 |
|                            | 225 | 180 | 27 | 24 | 678881N1 |

50000

| Spindle in zinc plated steel |     |     |    |    |          |
|------------------------------|-----|-----|----|----|----------|
| M20                          | 145 | 110 | 27 | 17 | 678761N1 |
|                              | 175 | 140 | 27 | 17 | 678771N1 |
|                              | 245 | 210 | 27 | 17 | 678781N1 |
| M24                          | 120 | 75  | 27 | 19 | 678791N1 |
|                              | 150 | 105 | 27 | 19 | 61396N1  |
|                              | 220 | 175 | 27 | 19 | 678801N1 |
| M30                          | 270 | 225 | 27 | 19 | 688221N1 |
|                              | 165 | 125 | 27 | 24 | 678811N1 |
|                              | 220 | 180 | 27 | 24 | 678821N1 |
|                              | 295 | 260 | 27 | 24 | 688231N1 |

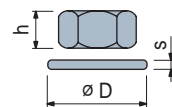
50000

- Item code for order = Part. + Code
- Material: footplate in painted steel yellow. Anti-slip in NBR rubber black (70 Shore).
  - Packaging: 4 pieces.
  - On request different length.
  - Fmax. = maximum applicable load in static conditions.



## Accessories

### Nut + Washer






|     | Code                        |                      | h  | ø D | s  |
|-----|-----------------------------|----------------------|----|-----|----|
|     | Stainless steel<br>AISI 304 | Zinc plated<br>steel | mm | mm  | mm |
| M16 | R0000630212                 | R0000630142          | 13 | 24  | 30 |
| M20 | R0000630222                 | R0000630152          | 16 | 30  | 37 |
| M24 | R0000630232                 | R0000630162          | 19 | 36  | 44 |
| M30 | R0000630242                 | R0000630172          | 24 | 46  | 56 |

Packaging: 8 pieces.

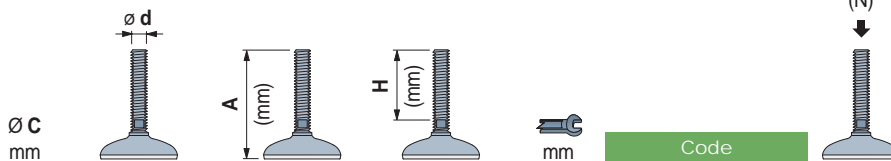


# Articulated feet in stainless steel

-  Best Seller
-  Standard
-  On request

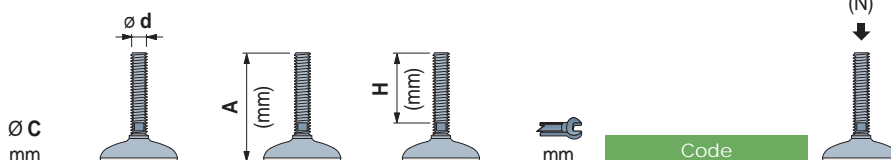
Part. R0747  
Part. R0748  
Part. R0749

Part. R0747



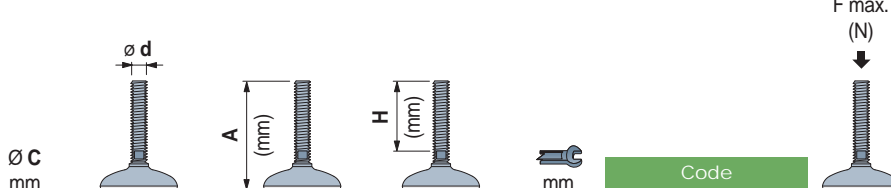
| Feet in stainless steel |        |        |        |        | F max. (N) |
|-------------------------|--------|--------|--------|--------|------------|
| Metric                  | A (mm) | H (mm) | Washer | Code   |            |
| M16                     | 100    | 55     | 13     | 602003 | 25000      |
|                         | 182    | 136    | 13     | 602013 |            |
| M20                     | 187    | 139    | 16     | 602023 |            |
| M24                     | 217    | 167    | 19     | 602033 |            |
| M30                     | 165    | 115    | 27     | 620793 |            |
|                         | 215    | 165    | 27     | 620803 |            |

Part. R0748



| Feet in stainless steel |        |        |        |        | F max. (N) |
|-------------------------|--------|--------|--------|--------|------------|
| Metric                  | A (mm) | H (mm) | Washer | Code   |            |
| M16                     | 103    | 55     | 13     | 602043 | 25000      |
|                         | 185    | 136    | 13     | 602053 |            |
| M20                     | 190    | 139    | 16     | 602063 |            |
| M24                     | 220    | 167    | 19     | 602073 |            |
| M30                     | 168    | 115    | 27     | 620813 |            |
|                         | 218    | 165    | 27     | 620823 |            |

Part. R0749



| Feet in stainless steel |        |        |        |        | F max. (N) |       |
|-------------------------|--------|--------|--------|--------|------------|-------|
| Metric                  | A (mm) | H (mm) | Washer | Code   |            |       |
| M16                     | 190    | 136    | 13     | 602093 | 25000      |       |
| M20                     | 195    | 139    | 16     | 602103 |            |       |
| M24                     | 225    | 167    | 19     | 602113 |            |       |
|                         | 173    | 115    | 27     | 620833 |            |       |
| M30                     | 223    | 165    | 27     | 620843 |            |       |
|                         | 250    | 200    | 27     | 616433 |            |       |
| M36                     | 265    | 216    | 32     | 628033 |            | 50000 |

Item code for order = Part. + Code

- Material:

Spindle in austenitic stainless steel.

Footplate in austenitic stainless steel.

Anti-slip in vulcanized NBR rubber (grey), 75 Shore;

Part R0749616433 - R0749628033 anti-slip in vulcanized NBR rubber (black), 95 Shore.

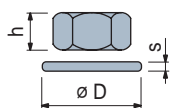
- Packaging: 8 pieces.

- On request different length.

- Fmax. = maximum applicable load in static conditions.

## Accessories

Nut + Washer

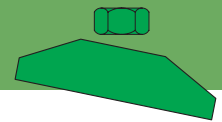


Code

|     | Stainless steel<br>AISI 304 | h<br>mm | øD<br>mm | s<br>mm |
|-----|-----------------------------|---------|----------|---------|
| M16 | <b>R000630212</b>           | 13      | 24       | 30      |
| M20 | <b>R000630222</b>           | 16      | 30       | 37      |
| M24 | <b>R000630232</b>           | 19      | 36       | 44      |
| M30 | <b>R000630242</b>           | 24      | 46       | 56      |

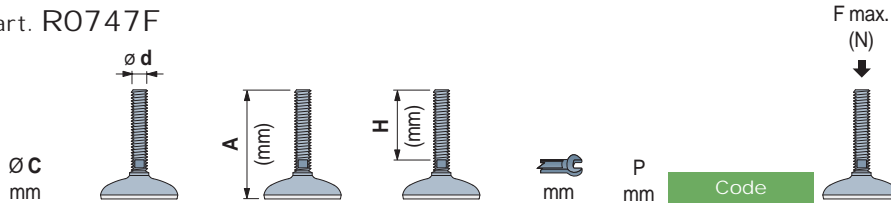
Packaging: 8 pieces

# Articulated feet in stainless steel



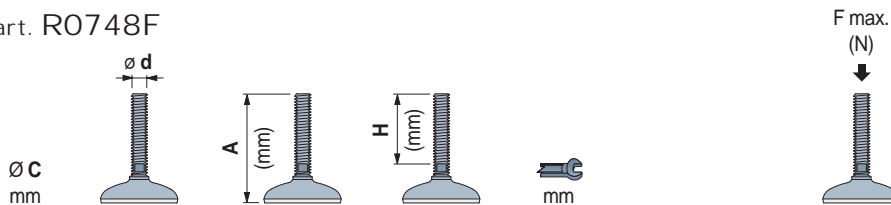
- Best Seller
- Standard
- ✓ On request

Part. R0747F



| Feet in stainless steel |          |        |        |        |            |        |
|-------------------------|----------|--------|--------|--------|------------|--------|
| Code                    | ø C (mm) | A (mm) | H (mm) | P (mm) | F max. (N) | Code   |
|                         |          |        |        |        |            |        |
|                         | 182      | 136    | 13     | 55     |            | 616063 |
| M20                     | 187      | 139    | 16     | 55     |            | 616073 |
| M24                     | 217      | 167    | 19     | 55     |            | 616083 |
| M30                     | 165      | 115    | 27     | 55     |            | 620853 |
|                         | 215      | 165    | 27     | 55     |            | 620863 |

Part. R0748F

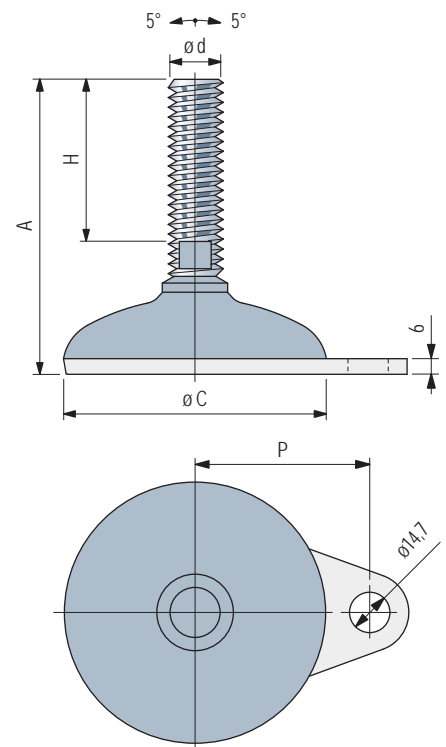


| Feet in stainless steel |          |        |        |        |            |        |
|-------------------------|----------|--------|--------|--------|------------|--------|
| Code                    | ø C (mm) | A (mm) | H (mm) | P (mm) | F max. (N) | Code   |
|                         |          |        |        |        |            |        |
|                         | 185      | 136    | 13     | 67     |            | 616103 |
| M20                     | 190      | 139    | 16     | 67     |            | 616113 |
| M24                     | 220      | 167    | 19     | 67     |            | 616123 |
| M30                     | 168      | 115    | 27     | 67     |            | 620873 |
|                         | 218      | 165    | 27     | 67     |            | 620883 |

Item code for order = Part. + Code

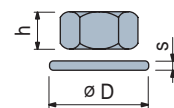
- Material:
- Spindle in austenitic stainless steel.
- Footplate in austenitic stainless steel.
- Anti-slip in vulcanized NBR rubber (grey), 75 Shore.
- Packaging: 8 pieces.
- On request different length.
- Fmax. = maximum applicable load in static conditions.

Part. R0747F  
Part. R0748F



## Accessories




### Nut + Washer



| Code | Stainless steel<br>AISI 304 | h (mm) | ø D (mm) | s (mm) |     |
|------|-----------------------------|--------|----------|--------|-----|
|      |                             |        |          |        | M16 |
| M20  | R0000630222                 | 16     | 30       | 37     | 3   |
| M24  | R0000630232                 | 19     | 36       | 44     | 4   |
| M30  | R0000630242                 | 24     | 46       | 56     | 4   |

Packaging: 8 pieces

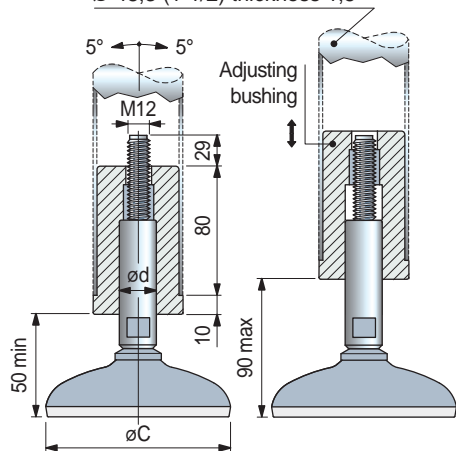
# Articulated feet in stainless steel

-  Best Seller
-  Standard
-  On request

Part. R0750  
Part. R0751  
Part. R0752

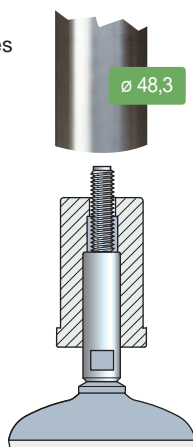


Frame supporting tubes  
Ø 48,3 (1 7/8) thickness 1,5

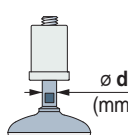





## Assembly

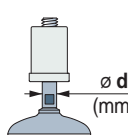

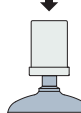

Can be used with  
frame supporting tubes  
dia. 48,3 mm (1 7/8),  
thickness 1,5 mm.



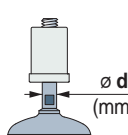

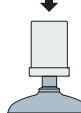

Part. R0750

| Ø C<br>mm   | <br>Ø d<br>(mm) | <br>mm | Code          | F max.<br>(N)<br>↓<br> |
|---|--|---|---------------|---|
| <b>Feet in stainless steel</b>  |  |   |               |   |
|  | 16   | 13  | <b>602123</b> | 12000   |
|   | 20   | 16  | <b>602133</b> |   |

Part. R0751

| Ø C<br>mm  | <br>Ø d<br>(mm) | <br>mm | Code          | F max.<br>(N)<br>↓<br> |
|--|--|---|---------------|---|
| <b>Feet in stainless steel</b>   |  |   |               |   |
|  | 16   | 13  | <b>602143</b> | 12000   |
|  | 20   | 16  | <b>602153</b> |   |

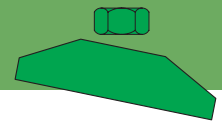
Part. R0752

| Ø C<br>mm   | <br>Ø d<br>(mm) | <br>mm | Code          | F max.<br>(N)<br>↓<br> |
|---|--|---|---------------|---|
| <b>Feet in stainless steel</b>  |  |   |               |   |
|  | 16   | 13  | <b>602163</b> | 12000   |
|   | 20   | 16  | <b>602173</b> |   |

Item code for order = Part. + Code

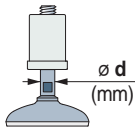


- Material:
  - Spindle in austenitic stainless steel.
  - Footplate in austenitic stainless steel.
  - Anti-slip in vulcanized NBR rubber (grey), 75 Shore.
  - Adjusting bushing in reinforced polyamide PA FV (white).
  - Threaded bushing in nickel plated brass.
- Packaging: 8 pieces.
- On request different length.
- Fmax. = maximum applicable load in static conditions.

# Articulated feet in stainless steel

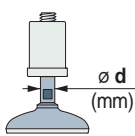




- Best Seller
- Standard
- ✓ On request

Part. R0750F

| $\varnothing C$<br>mm   |  |  | P<br>mm | Code          | F max.<br>(N) |
|---|---|---|---------|---------------|---------------|
|   | $\varnothing d$<br>(mm)   | mm  |         |               |               |
| <b>Feet in stainless steel</b>  |   |   |         |               |               |
|  | 16  | 13  | 55      | <b>616133</b> | 12000         |
|   | 20  | 16  | 55      | <b>616143</b> |               |

Part. R0751F

| $\varnothing C$<br>mm  |  |  | P<br>mm | Code          | F max.<br>(N) |
|--|---|---|---------|---------------|---------------|
|  | $\varnothing d$<br>(mm)   | mm  |         |               |               |
| <b>Feet in stainless steel</b>   |   |   |         |               |               |
|  | 16  | 13  | 67      | <b>616153</b> | 12000         |
|  | 20  | 16  | 67      | <b>616163</b> |               |

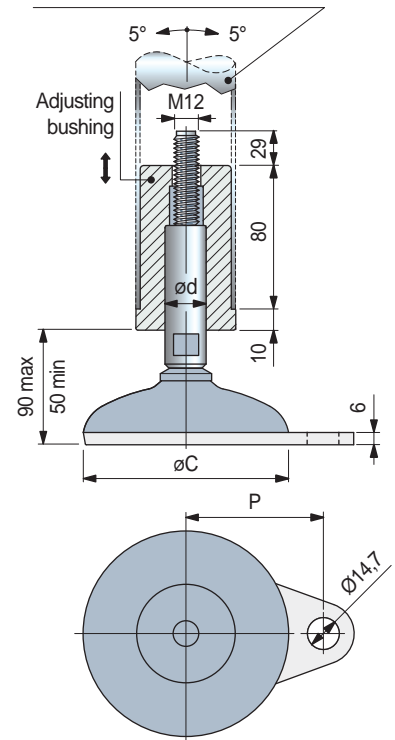
Item code for order = Part. + Code

- Material:
  - Spindle in austenitic stainless steel.
  - Footplate in austenitic stainless steel.
  - Anti-slip in vulcanized NBR rubber (grey), 75 Shore.
  - Adjusting bushing in reinforced polyamide PA FV (white).
  - Threaded bushing in nickel plated brass.
- Packaging: 8 pieces.
- On request different length.
- Fmax. = maximum applicable load in static conditions.

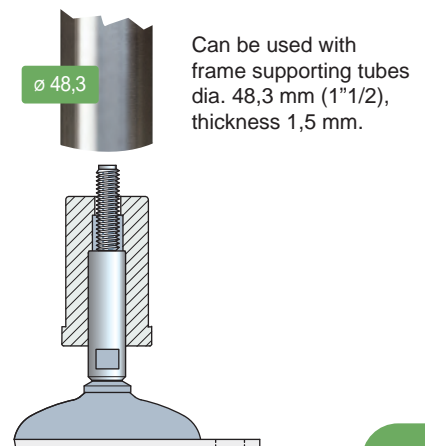
Part. R0750F  
Part. R0751F

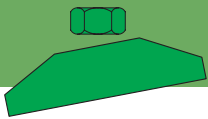


Frame supporting tubes  
 $\varnothing 48,3$  (1 $\frac{1}{2}$ ) thickness 1,5



■ **Assembly**





## Articulated feet in stainless steel

- Best Seller
- Standard
- On request

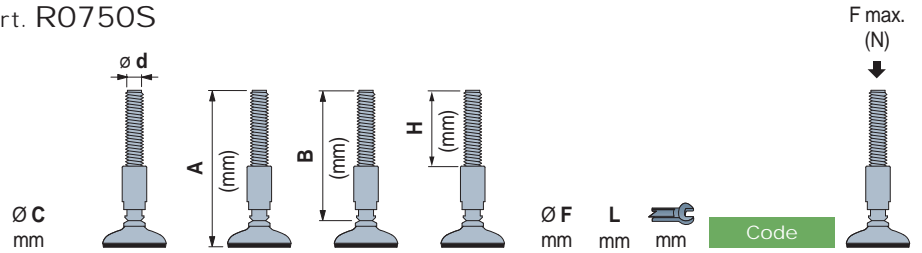
Part. R0750S

Part. R0751S

Part. R0752S



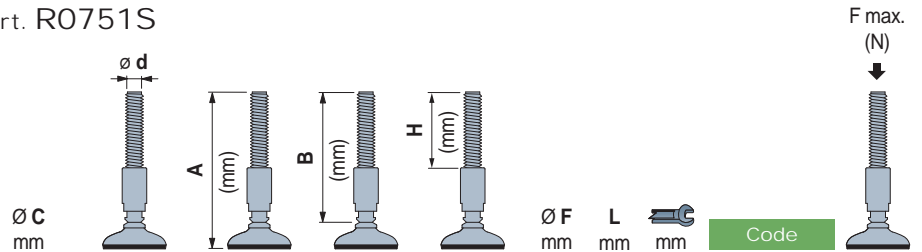
Part. R0750S



### Feet in stainless steel

|  |     |     |     |     |    |    |    |        |       |
|--|-----|-----|-----|-----|----|----|----|--------|-------|
|  | M16 | 200 | 165 | 100 | 23 | 55 | 13 | 613603 | 25000 |
|  |     | 250 | 215 | 120 | 23 | 85 | 13 | 613613 |       |
|  | M20 | 200 | 165 | 100 | 27 | 55 | 16 | 613623 |       |
|  |     | 250 | 215 | 120 | 27 | 85 | 16 | 613633 |       |

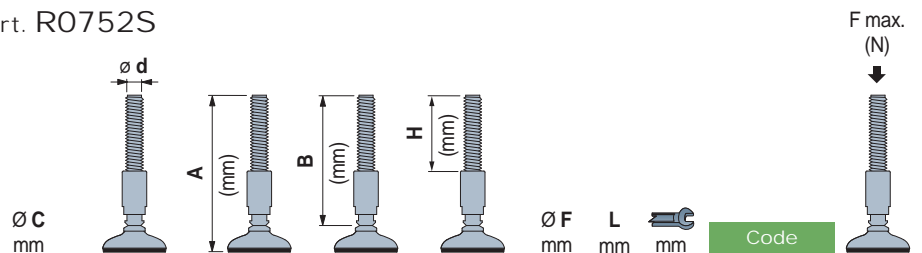
Part. R0751S



### Feet in stainless steel

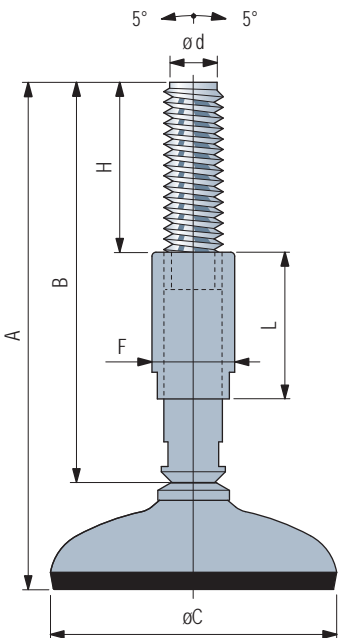
|  |     |     |     |     |    |    |    |        |       |
|--|-----|-----|-----|-----|----|----|----|--------|-------|
|  | M16 | 200 | 165 | 100 | 23 | 55 | 13 | 613663 | 50000 |
|  |     | 250 | 215 | 120 | 23 | 85 | 13 | 613673 |       |
|  | M20 | 200 | 165 | 100 | 27 | 55 | 16 | 613683 |       |
|  |     | 250 | 215 | 120 | 27 | 85 | 16 | 613693 |       |

Part. R0752S



### Feet in stainless steel

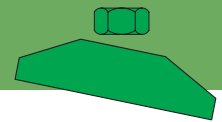
|  |     |     |     |     |    |    |    |        |       |
|--|-----|-----|-----|-----|----|----|----|--------|-------|
|  | M16 | 200 | 165 | 100 | 23 | 55 | 13 | 613723 | 50000 |
|  |     | 250 | 215 | 120 | 23 | 85 | 13 | 613733 |       |
|  | M20 | 200 | 165 | 100 | 27 | 55 | 16 | 613743 |       |
|  |     | 250 | 215 | 120 | 27 | 85 | 16 | 613753 |       |



Item code for order = Part. + Code

- Material:  
Spindle and threaded bushing in austenitic stainless steel.  
Footplate in austenitic stainless steel.  
Anti-slip in vulcanized NBR rubber (black), 95 Shore.
- Packaging: 8 pieces.
- Fmax. = maximum applicable load in static conditions.

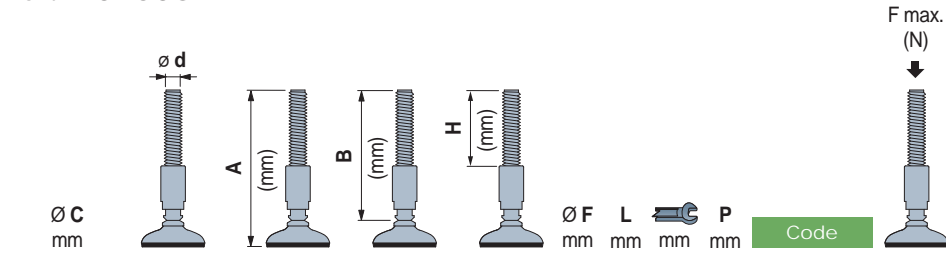
# Articulated feet in stainless steel



- Best Seller
- Standard
- ✓ On request

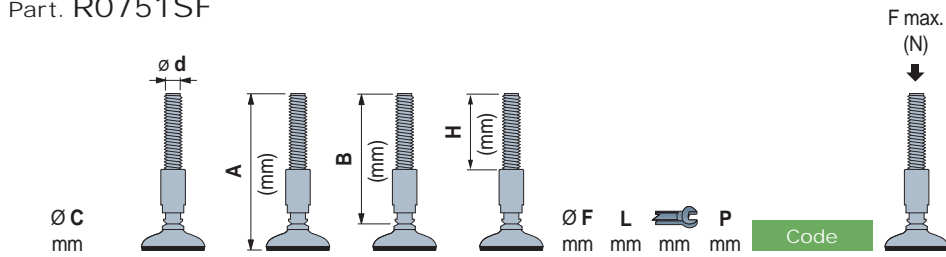
Part. R0750SF

Part. R0750SF  
Part. R0751SF



| Feet in stainless steel |     |     |     |     |    |    |    |    |        |
|-------------------------|-----|-----|-----|-----|----|----|----|----|--------|
|                         | M16 | 200 | 165 | 100 | 23 | 55 | 13 | 55 | 616173 |
|                         |     | 250 | 215 | 120 | 23 | 85 | 13 | 55 | 616183 |
|                         | M20 | 200 | 165 | 100 | 27 | 55 | 16 | 55 | 616193 |
|                         |     | 250 | 215 | 120 | 27 | 85 | 16 | 55 | 616203 |

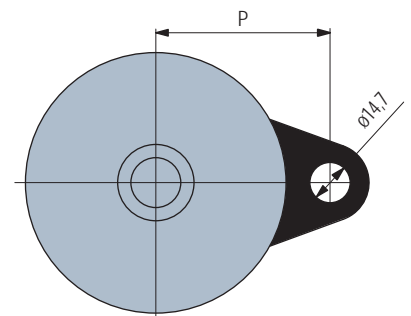
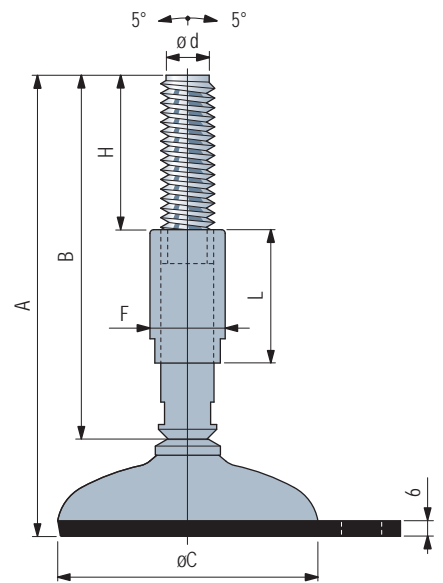
Part. R0751SF

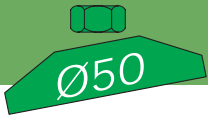


| Feet in stainless steel |     |     |     |     |    |    |    |    |        |
|-------------------------|-----|-----|-----|-----|----|----|----|----|--------|
|                         | M16 | 200 | 165 | 100 | 23 | 55 | 13 | 67 | 616233 |
|                         |     | 250 | 215 | 120 | 23 | 85 | 13 | 67 | 616243 |
|                         | M20 | 200 | 165 | 100 | 27 | 55 | 16 | 67 | 616253 |
|                         |     | 250 | 215 | 120 | 27 | 85 | 16 | 67 | 616263 |

Item code for order = Part. + Code

- Material:  
Spindle and threaded bushing in austenitic stainless steel.  
Footplate in austenitic stainless steel.  
Anti-slip in vulcanized NBR rubber (black), 95 Shore.
- Packaging: 8 pieces.
- Fmax. = maximum applicable load in static conditions.

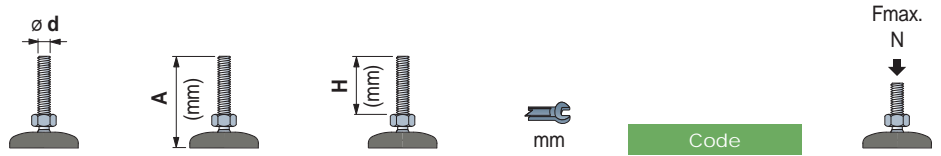




## Fixed feet in reinforced polyamide

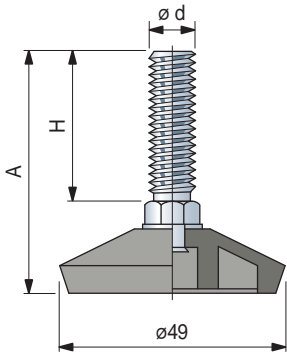
Part. R0600

- Best Seller
- ✔ Standard
- On request



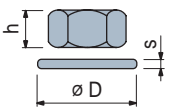
| Feet in zinc plated steel |    |    |    |              |      |
|---------------------------|----|----|----|--------------|------|
| M10                       | 50 | 30 | 19 | <b>68582</b> | 2000 |

- Item code for order = Part. + Code
- Footplate material: reinforced polyamide PA FV (black).
  - Packaging: 48 pieces.
  - Fmax. = maximum applicable load in static conditions.



### Accessories

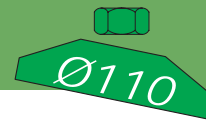
#### Nut + Washer



| Code |                    | h  | $\varnothing D$ | s  |
|------|--------------------|----|-----------------|----|
|      | Zinc plated steel  | mm | mm              | mm |
| M10  | <b>R0000630112</b> | 8  | 17              | 21 |

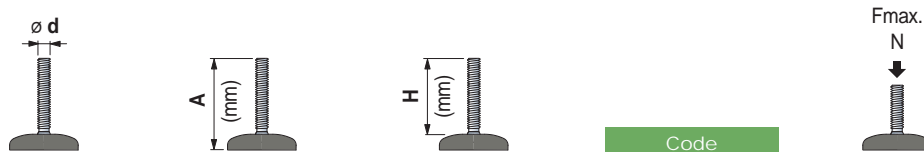
Packaging: 24 pieces

Fixed feet  
in reinforced polyamide



- Best Seller
- ✓ Standard
- On request

Part. R0031



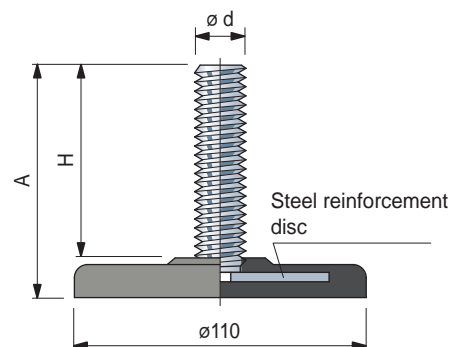
Code



| Feet in zinc plated steel |     |    |       |      |
|---------------------------|-----|----|-------|------|
| M16                       | 101 | 86 | 51500 | 6000 |

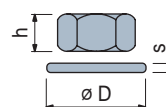
Item code for order = Part. + Code

- Footplate material: PVC rubber black (50 Shore).
- Packaging: 20 pieces.
- Fmax. = maximum applicable load in static conditions.



■ Accessories

Nut + Washer



Code

| Zinc plated steel | h           | øD | s       |
|-------------------|-------------|----|---------|
|                   | mm          | mm | mm      |
| M16               | R0000630142 | 13 | 24 30 3 |

Packaging: 8 pieces

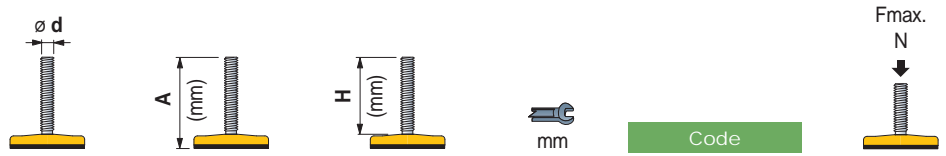


Ø100

## Fixed feet in painted steel

- Best Seller
- ✔ Standard
- On request

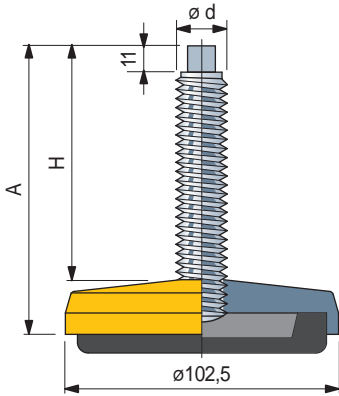
Part. R0403



| Feet in zinc plated steel |     |     |    |       |       |
|---------------------------|-----|-----|----|-------|-------|
| M16                       | 154 | 128 | 10 | 66604 | 50000 |

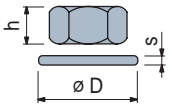
Item code for order = Part. + Code

- Material: footplate in painted steel yellow. Anti-slip in NBR rubber black (70 Shore).
- Packaging: 8 pieces.
- On request different length.
- Fmax. = maximum applicable load in static conditions.



### Accessories

#### Nut + Washer



| Code              |             | h  | ø D | s  |
|-------------------|-------------|----|-----|----|
| Zinc plated steel |             | mm | mm  | mm |
| M16               | R0000630142 | 13 | 24  | 30 |

Packaging: 8 pieces

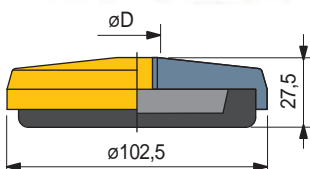
Part. R0528



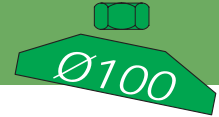
|     |        |       |
|-----|--------|-------|
| M16 | 644351 | 50000 |
|-----|--------|-------|

Item code for order = Part. + Code

- Material: footplate in painted steel yellow. Anti-slip in NBR rubber black (70 Shore).
- Packaging: 8 pieces.
- Fmax. = maximum applicable load in static conditions.

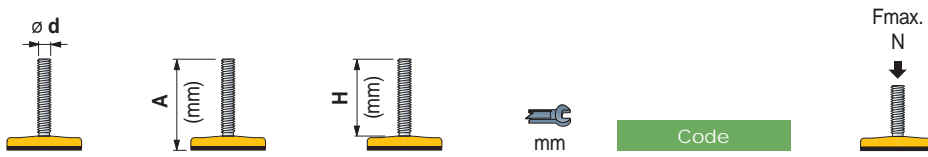


Fixed feet  
in painted steel



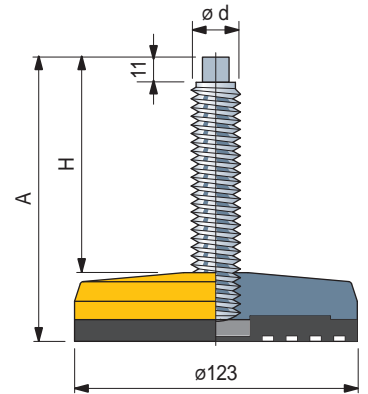
- Best Seller
- ✔ Standard
- On request

Part. R0406



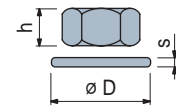
| Feet in zinc plated steel |     |     |    |       |         |
|---------------------------|-----|-----|----|-------|---------|
|                           | A   | H   | mm | Code  | Fmax. N |
| M16                       | 157 | 127 | 10 | 66614 | 50000   |

- Item code for order = Part. + Code
- Material: footplate in painted steel yellow. Anti-slip in NBR rubber black (80 Shore).
  - Packaging: 8 pieces.
  - On request different length.
  - Fmax. = maximum applicable load in static conditions.



Accessories

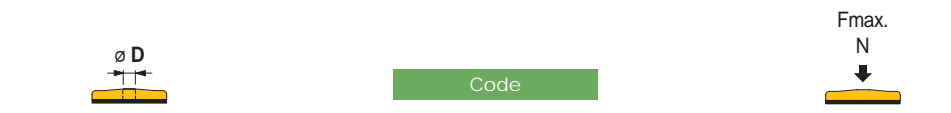
Nut + Washer



|     | Code        | Zinc plated steel | h  | s  | ø D |
|-----|-------------|-------------------|----|----|-----|
|     |             |                   | mm | mm | mm  |
| M16 | R0000630142 |                   | 13 | 24 | 30  |

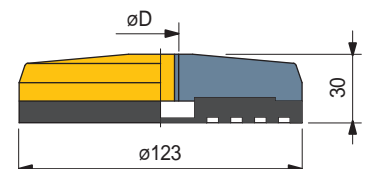
Packaging: 8 pieces

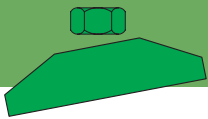
Part. R0529



|     |        |       |
|-----|--------|-------|
| M16 | 644361 | 50000 |
|-----|--------|-------|

- Item code for order = Part. + Code
- Material: footplate in painted steel yellow. Anti-slip in NBR rubber black (80 Shore).
  - Packaging: 8 pieces.
  - Fmax. = maximum applicable load in static conditions.

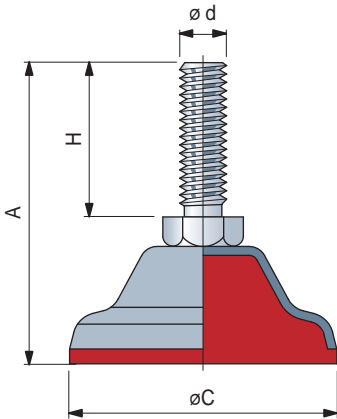




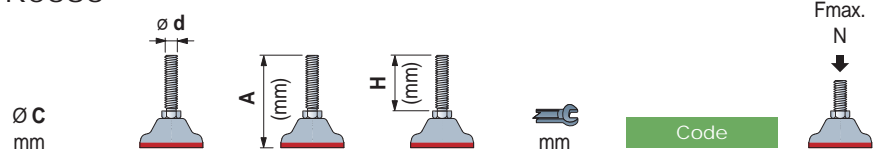
## Fixed feet in stainless steel

- Best Seller
- ✔ Standard
- On request

Part. R0383  
Part. R0384  
Part. R0399  
Part. R0385



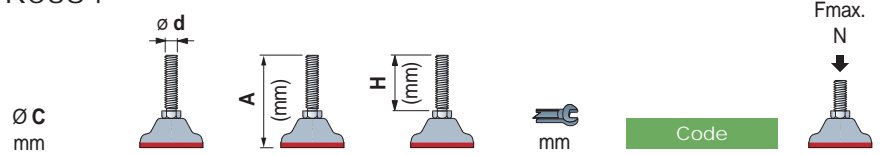
Part. R0383



### Feet in stainless steel

|  |           |    |    |    |              |      |
|--|-----------|----|----|----|--------------|------|
|  | <b>M8</b> | 57 | 30 | 13 | <b>65426</b> | 7000 |
|--|-----------|----|----|----|--------------|------|

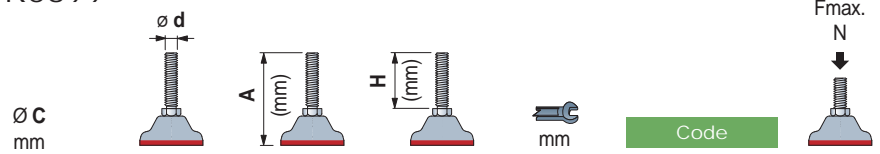
Part. R0384



### Feet in stainless steel

|  |            |    |    |    |              |       |
|--|------------|----|----|----|--------------|-------|
|  | <b>M12</b> | 90 | 50 | 19 | <b>65436</b> | 12000 |
|--|------------|----|----|----|--------------|-------|

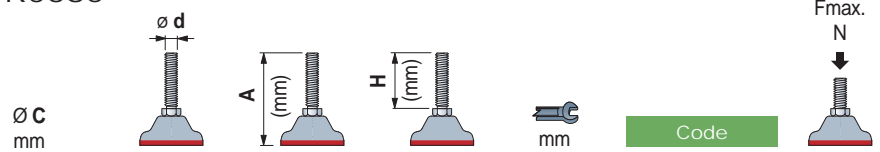
Part. R0399



### Feet in stainless steel

|  |            |     |    |    |              |       |
|--|------------|-----|----|----|--------------|-------|
|  | <b>M16</b> | 100 | 60 | 24 | <b>61627</b> | 11000 |
|--|------------|-----|----|----|--------------|-------|

Part. R0385

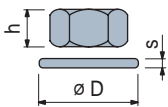


### Feet in stainless steel

|  |            |     |    |    |              |       |
|--|------------|-----|----|----|--------------|-------|
|  | <b>M20</b> | 130 | 70 | 30 | <b>65446</b> | 10000 |
|--|------------|-----|----|----|--------------|-------|

## Accessories

### Nut + Washer



Code

|     | Stainless steel<br>AISI 304 | h<br>mm | øD<br>mm | s<br>mm |
|-----|-----------------------------|---------|----------|---------|
| M8  | <b>R0000654922</b>          | 6,5     | 13       | 1,6     |
| M12 | <b>R0000630192</b>          | 10      | 19       | 2,5     |
| M16 | <b>R0000630212</b>          | 13      | 24       | 3       |
| M20 | <b>R0000630222</b>          | 16      | 30       | 3       |

Packaging: 8 pieces

Item code for order = Part. + Code

- Material: footplate and spindle in stainless steel AISI 304. Anti-slip in Adiprene (red).
- Packaging: 16 pieces (for Part. 383). 8 pieces (for Part. 384-399). 4 pieces (for Part. 385).
- Fmax. = maximum applicable load in static conditions.

### Characteristics

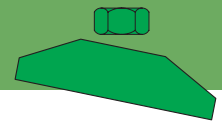
The Adiprene anti-slip element has acid resistant characteristics and resists loads occurring in heavy duty applications.

Feet to be used in humid applications, where they will be subjected to frequent cleaning with detergents, in presence of chemical products and acids and where optimum cleanliness and hygiene is required.

### Application

The food-, dairy and meat industry.  
Chemical and pharmaceutical industries.

# Vibration absorbing feet in zinc plated steel



- Best Seller
- ✔ Standard
- On request

Part. R0701  
Part. R0702  
Part. R0703

| Ø C<br>mm |  | A<br>(mm) | H<br>(mm) |                          | Code                      |  | Weight<br>Kg |
|-----------|--|-----------|-----------|--------------------------|---------------------------|--|--------------|
|           |  |           |           |                          | Feet in zinc plated steel | Feet in zinc plated steel with yellow painted base |              |
| R0701     |  | M 12x1,25 | 130       | 39 ( min )<br>51 ( max ) | 8                         | <b>63033</b> <b>63623</b>                          | 0,58         |
| R0702     |  | M 16x1,5  | 130       | 47 ( min )<br>60 ( max ) | 9                         | <b>63043</b> <b>63633</b>                          | 1,40         |
| R0703     |  | M 20x1,5  | 183       | 54 ( min )<br>69 ( max ) | 12                        | <b>63053</b> <b>63643</b>                          | 2,80         |

- Packaging: 8 pieces (for Part. 701 - 702), 4 pieces (for Part. 703).
- Characteristics: specially designed to absorb vibrations and shocks in both horizontal and vertical directions. Accurate height adjustment. High adhesion to the floor.
- Application: cutting-and bending machines for sheet metal. Injection molding machines for plastics. Lathes, cutting-and grinding machines. Machines for the textile and printing industry.



|   | Load applied per foot (Kgf) |      |           |      |           |      |
|---|-----------------------------|------|-----------|------|-----------|------|
|   | Part. 701                   |      | Part. 702 |      | Part. 703 |      |
|   | min.                        | max. | min.      | max. | min.      | max. |
| 100   | 85                          | 360  | 230       | 940  | 275       | 1420 |
| 120   | 85                          | 210  | 230       | 600  | 275       | 900  |
| 140   | 85                          | 180  | 230       | 560  | 275       | 820  |
| 160   | 85                          | 120  | 230       | 350  | 275       | 560  |
| 180   | 85                          | 95   | 230       | 290  | 275       | 440  |
| 200   |                             |      | 230       | 260  | 275       | 320  |
| 220   |                             |      |           |      | 275       | 305  |
| <b>Zone of resonance</b><br>(do not use vibration absorbing elements) |                             |      |           |      |           |      |
| 1200  | 475                         | 525  | 1140      | 1260 | 1710      | 1890 |
| 1400  | 400                         | 525  | 1040      | 1260 | 1650      | 1890 |
| 1600  | 320                         | 525  | 810       | 1260 | 1340      | 1890 |
| 1800  | 240                         | 525  | 640       | 1260 | 1080      | 1890 |
| 2000  | 180                         | 525  | 490       | 1260 | 800       | 1890 |
| 2200  | 140                         | 525  | 440       | 1260 | 700       | 1890 |
| 2400  | 120                         | 525  | 380       | 1260 | 640       | 1890 |
| 2600  | 100                         | 525  | 300       | 1260 | 560       | 1890 |
| 2800  |                             |      | 240       | 1260 | 420       | 1890 |
| 3000  |                             |      | 200       | 1260 | 400       | 1890 |
| 3500  |                             |      |           | 300  | 1890      |      |

**When to use vibration absorbing feet**  
In case in a machine frequent "vibrations or shocks" occur, it will be necessary to use vibration absorbing feet instead of our standard feet. Because of the natural characteristics of the rubber elements, the selection of the proper type is very important. In a certain range of vibrations or shocks a resonance will occur, in another range of vibrations the feet will not absorb any vibrations at all. It is therefore important to follow exactly our selection procedure.

**Selection procedure**  
**1) Calculation of the load on each foot**  
In the following formula we have considered that the weight of the machine is divided equally over the feet:  
$$\frac{\text{Weight of the machine (Kg)}}{\text{Number of feet}} = (\text{Kgf})$$
  
**2) Selection of the type of vibration absorbing foot - Table 1**  
The selection of the type of a vibration absorbing foot depends on the load on each foot and the lowest number of revolutions (or number of shocks) of the machine.

**Examples of selection**

**1) Support for a lathe**  
Given data: - Weight of the lathe: 2200 Kg.  
- Minimum speed: 140 rpm.  
- Quantity of feet: 4.

Selection: the load on each foot is  
$$\frac{2200}{4} = 550 \text{ Kgf}$$

According to table 1 Part. 702 should be taken.

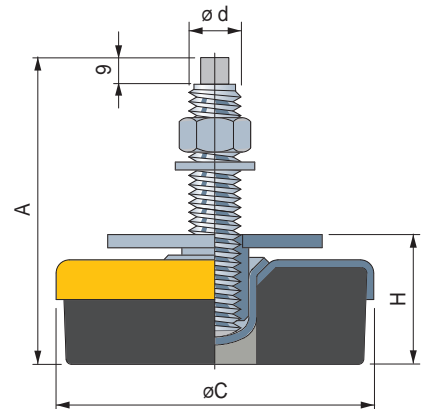
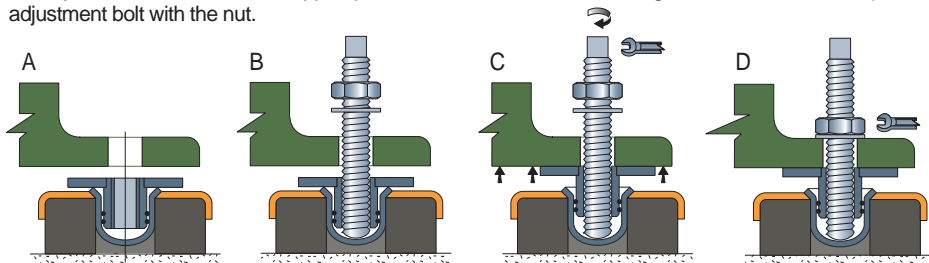
**1) Supports for a metal press**  
Given data: - Weight of the press: 3900 Kg.  
- Min. number of shocks: 120 strokes/min.  
- Quantity of feet: 6.

Selection: the load on each foot is  
$$\frac{3900}{6} = 650 \text{ Kgf}$$

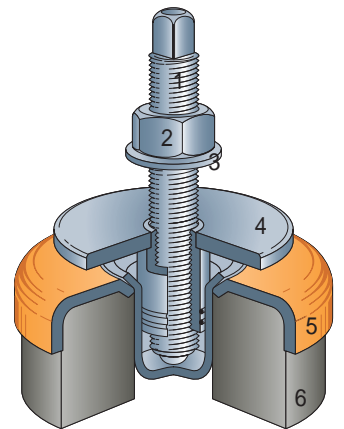
According to table 1 Part. 703 should be taken.

**Mounting instructions**

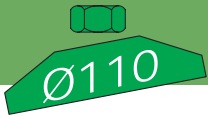
**A)** Lift the machine. Position the footplate. **B)** Mount the adjustment bolt with the nut and washer. **C)** By turning the adjustment bolt further, the support plate will lift until the desired height has been reached. **D)** Lock the adjustment bolt with the nut.



Components of the feet



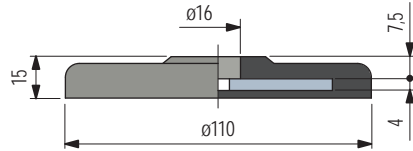
- 1 - Adjustment bolt. Fine thread
- 2 - Locking nut. UNI 5588 - 65.
- 3 - Washer UNI 6592 - 69. DIN 125 A.
- 4 - Support plate. Adjustable in height.
- 5 - Reinforcement plate.
- 6 - Anti-slip in NBR rubber black (80 Shore).



# Anti-slip supports in rubber with steel insert

- Best Seller
- ✔ Standard
- On request

Part. R0055



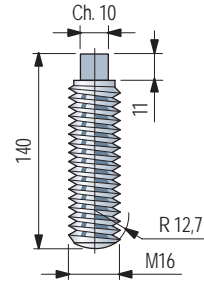
| Material                             | Code  | Fmax.<br>N |
|--------------------------------------|-------|------------|
| PVC rubber black (with steel insert) | 51510 | 6000       |

- Item code for order = Part. + Code
- Rubber hardness: 50 Shore.
  - Packaging: 25 pieces.
  - Fmax. = maximum applicable load in static conditions.

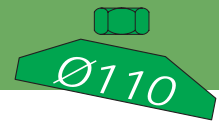
## Accessories

|     | Code              |  |
|-----|-------------------|---|
|     | Zinc plated steel | mm  |
| M16 | <b>R040766594</b> | 10  |

- Spindle.
- Packaging: 32 pieces.



# Anti-slip supports in rubber with steel insert



- Best Seller
- ✓ Standard
- On request

Part. R0187

| Material   | Code         | Fmax.<br>N<br>↓ |
|--|--------------|-----------------|
| NBR rubber black with steel insert (red painted) | <b>55421</b> | 20000           |



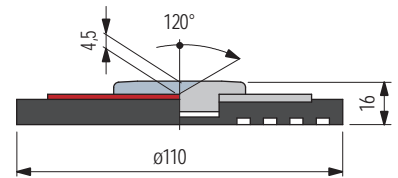
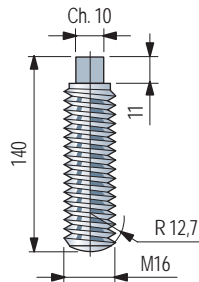
Item code for order = Part. + Code

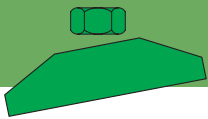
- Rubber hardness: 80 Shore.
- Bearing disc in nickel plated steel.
- Packaging: 8 pieces.
- Fmax. = maximum applicable load in static conditions.

### Accessories

|     | Code              |    |
|-----|-------------------|----|
|     | Zinc plated steel | mm |
| M16 | <b>R040766594</b> | 10 |

- Spindle.
- Packaging: 32 pieces.

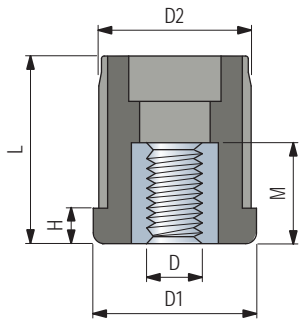




# Threaded bushings for round tubes

- Best Seller
- Standard
- On request

Part. R0180



### Assembly

Pressure fitted.  
Interference fit.



### Tube dimensions

| Outside dia.<br>mm | Thickness<br>mm | Inside dia.<br>mm | Thread<br>D | D1<br>mm | D2<br>mm | H<br>mm | L<br>mm | M<br>mm | Code   | Fmax.<br>N |
|--------------------|-----------------|-------------------|-------------|----------|----------|---------|---------|---------|--------|------------|
| 26,9               | 3/4             | 1,5               | M12         | 27       | 24       | 6       | 30      | 19      | 63128  | 3000       |
| 30                 | -               | 1                 | M10         | 30       | 28,4     | 6       | 34      | 19      | 61606  | 3000       |
|                    |                 |                   | M12         | 30       | 28,4     | 6       | 34      | 19      | 63766  | 3000       |
| 33,7               | 1               | 1,5               | M12         | 34       | 31       | 6       | 35      | 19      | 63118  | 3000       |
| 38                 | -               | 1,5               | M10         | 37,5     | 35,5     | 9       | 44      | 19      | 68572  | 5000       |
|                    |                 |                   | M16         | 37,5     | 35,5     | 9       | 44      | 24      | 63061  | 5000       |
| 42,4               | 1 1/4           | 1,5               | M16         | 44,5     | 39,6     | 9       | 42      | 24      | 63071  | 5000       |
|                    |                 |                   | M20         | 44,5     | 39,6     | 9       | 42      | 30      | 52691  | 8000       |
| 48,3               | 1 1/2           | 1,5               | M16         | 48       | 45,5     | 10      | 52      | 24      | 63081  | 5000       |
|                    |                 |                   | M20         | 48       | 45,5     | 10      | 52      | 30      | 58631  | 8000       |
|                    |                 |                   | M16         | 48       | 42,6     | 10      | 52      | 24      | 616592 | 5000       |
| 50                 | -               | 1,5               | M10         | 50       | 47,5     | 10,5    | 56      | 19      | 682812 | 3000       |
|                    |                 |                   | M12         | 50       | 47,5     | 10,5    | 56      | 19      | 682822 | 3000       |
|                    |                 |                   | M14         | 50       | 47,5     | 10,5    | 56      | 24      | 682832 | 3000       |
|                    |                 |                   | M16         | 50       | 47,5     | 10,5    | 56      | 24      | 682842 | 5000       |
|                    |                 |                   | M20         | 50       | 47,5     | 10,5    | 56      | 30      | 682852 | 8000       |
|                    |                 |                   | M10         | 50       | 46,5     | 10,5    | 56      | 19      | 682862 | 3000       |
| 54                 | -               | 2                 | M12         | 50       | 46,5     | 10,5    | 56      | 19      | 682872 | 3000       |
|                    |                 |                   | M14         | 50       | 46,5     | 10,5    | 56      | 24      | 682882 | 3000       |
|                    |                 |                   | M16         | 50       | 46,5     | 10,5    | 56      | 24      | 682892 | 5000       |
|                    |                 |                   | M20         | 50       | 46,5     | 10,5    | 56      | 30      | 682902 | 8000       |
|                    |                 |                   | M16         | 54       | 50,8     | 10      | 62      | 24      | 647081 | 5000       |
|                    |                 |                   | M20         | 54       | 50,8     | 10      | 62      | 30      | 649801 | 8000       |
| 60,3               | 2               | 1,5               | M16         | 60       | 58       | 10      | 62      | 24      | 65154  | 5000       |
|                    |                 |                   | M20         | 60       | 58       | 10      | 49      | 24      | 607241 | 5000       |
|                    |                 | 2                 | M16         | 60       | 58       | 10      | 62      | 30      | 65164  | 8000       |
|                    |                 |                   | M16         | 60       | 57       | 10      | 62      | 24      | 65174  | 5000       |
|                    |                 |                   | M20         | 60       | 57       | 10      | 62      | 30      | 65184  | 8000       |
|                    |                 |                   | M16         | 60       | 56       | 10      | 62      | 24      | 65194  | 5000       |
| 80                 | -               | 2,5               | M20         | 60       | 56       | 10      | 62      | 30      | 65204  | 8000       |
|                    |                 |                   | M14         | 80       | 76,5     | 10,5    | 90      | 24      | 682912 | 5000       |
|                    |                 | 2                 | M16         | 80       | 76,5     | 10,5    | 90      | 24      | 682922 | 5000       |
|                    |                 |                   | M20         | 80       | 76,5     | 10,5    | 90      | 30      | 682932 | 8000       |
|                    |                 |                   | M24         | 80       | 76,5     | 10,5    | 90      | 28      | 682942 | 8000       |
|                    |                 |                   | M14         | 80       | 74,5     | 10,5    | 90      | 24      | 682952 | 5000       |
| 3                  | 74              | M16               | 80          | 74,5     | 10,5     | 90      | 24      | 682962  | 5000   |            |
|                    |                 | M20               | 80          | 74,5     | 10,5     | 90      | 30      | 682972  | 8000   |            |
|                    |                 |                   | M24         | 80       | 74,5     | 10,5    | 90      | 28      | 682982 | 8000       |

- Material: bushing in reinforced polyamid PA FV (black). Threaded insert in nickel plated brass.
- Packaging: 50 pieces (codes 63128 - 63118: 60 pieces). Version dia. 80 mm: 25 pieces.
- Fmax. = maximum applicable load in static conditions.

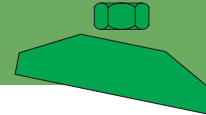
### Tube dimensions B.S.I.

| Outside dia.<br>Inch | Thickness<br>mm | Inside dia.<br>mm | Thread<br>D | D1<br>mm | D2<br>mm | H<br>mm | L<br>mm | M<br>mm | Code   | Fmax.<br>N |
|----------------------|-----------------|-------------------|-------------|----------|----------|---------|---------|---------|--------|------------|
| 1,5"                 | 38,1            | 0,065"            | 3/8"-16     | 37,5     | 35,5     | 9       | 44      | 19      | 672211 | 5000       |
|                      |                 |                   | 1/2"-13     | 37,5     | 35,5     | 9       | 44      | 19      | 59191  | 5000       |
|                      |                 |                   | 5/8"-11     | 37,5     | 35,5     | 9       | 44      | 24      | 59211  | 5000       |
| 2"                   | 50,8            | 0,065"            | 3/8"-16     | 50       | 48,4     | 10      | 56      | 19      | 672221 | 5000       |
|                      |                 |                   | 1/2"-13     | 50       | 48,4     | 10      | 56      | 19      | 61681  | 5000       |
|                      |                 |                   | 5/8"-11     | 50       | 48,4     | 10      | 56      | 24      | 59221  | 5000       |
|                      |                 |                   | 3/4"-10     | 50       | 48,4     | 10      | 56      | 30      | 59201  | 8000       |
|                      |                 |                   | M16         | 50       | 48,4     | 10      | 56      | 24      | 668191 | 5000       |

Item code for order = Part. + Code

- Material: bushing in reinforced polyamid PA FV (black). Threaded insert in nickel plated brass.
- Packaging: 50 pieces.
- Fmax. = maximum applicable load in static conditions.

# Threaded bushings for square tubes



- Best Seller
- ✓ Standard
- On request

Part. R0224

### Metric tube dimensions

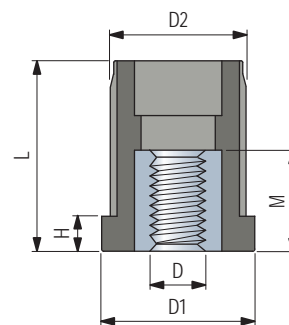
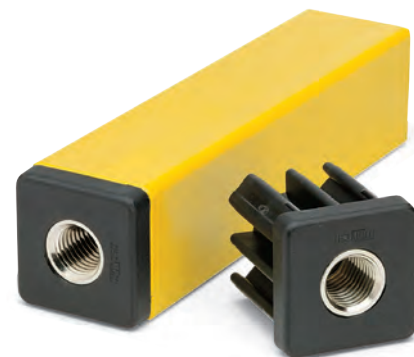
| Outside dia.<br>mm | Thickness<br>mm | Inside dia.<br>mm | Thread<br>D | D1<br>mm | D2<br>mm | H<br>mm | L<br>mm | M<br>mm | Code   | Fmax.<br>N<br>↓ |
|--------------------|-----------------|-------------------|-------------|----------|----------|---------|---------|---------|--------|-----------------|
| ∅ 30               | 1,5             | 27                | M10         | 30       | 27,5     | 6       | 33      | 19      | 68182  | 5000            |
|                    |                 |                   | M12         | 30       | 27,5     | 6       | 33      | 19      | 63932  | 5000            |
|                    |                 |                   | M14         | 30       | 27,5     | 6       | 33      | 24      | 63942  | 5000            |
|                    |                 |                   | M16         | 30       | 27,5     | 6       | 33      | 24      | 63952  | 5000            |
|                    | 2               | 26                | M10         | 30       | 26,5     | 6       | 33      | 19      | 673492 | 5000            |
|                    |                 |                   | M12         | 30       | 26,5     | 6       | 33      | 19      | 673502 | 5000            |
|                    |                 |                   | M14         | 30       | 26,5     | 6       | 33      | 24      | 673512 | 5000            |
|                    |                 |                   | M16         | 30       | 26,5     | 6       | 33      | 24      | 673522 | 5000            |
|                    | 2,5             | 25                | M12         | 30       | 25,5     | 6       | 33      | 19      | 69695  | 5000            |
|                    |                 |                   | M10         | 35       | 32,5     | 8       | 43      | 19      | 63243  | 5000            |
|                    |                 |                   | M12         | 35       | 32,5     | 8       | 43      | 19      | 63253  | 5000            |
|                    |                 |                   | M14         | 35       | 32,5     | 8       | 43      | 24      | 63263  | 5000            |
| ∅ 35               | 1,5             | 32                | M16         | 35       | 32,5     | 8       | 43      | 24      | 63273  | 5000            |
|                    |                 |                   | M20         | 35       | 32,5     | 8       | 43      | 30      | 64663  | 8000            |
|                    |                 |                   | M10         | 40       | 37,5     | 8       | 43      | 19      | 64323  | 5000            |
|                    |                 |                   | M12         | 40       | 37,5     | 8       | 43      | 19      | 63882  | 5000            |
| ∅ 40               | 1,5             | 37                | M14         | 40       | 37,5     | 8       | 43      | 24      | 63892  | 5000            |
|                    |                 |                   | M16         | 40       | 37,5     | 8       | 43      | 24      | 63902  | 5000            |
|                    |                 |                   | M20         | 40       | 37,5     | 8       | 43      | 30      | 63922  | 8000            |
|                    |                 |                   | M16         | 40       | 36,5     | 8       | 43      | 24      | 66533  | 5000            |
| ∅ 50               | 2               | 36                | M20         | 40       | 36,5     | 8       | 43      | 30      | 64455  | 8000            |
|                    |                 |                   | M16         | 50       | 47,8     | 10      | 55      | 24      | 68607  | 5000            |
|                    |                 |                   | M20         | 50       | 47,5     | 10      | 55      | 30      | 68883  | 8000            |
|                    |                 |                   | 3/8"-16     | 50       | 47,8     | 10      | 55      | 19      | 692781 | 5000            |
| ∅ 50               | 1,5             | 47                | 1/2"-13     | 50       | 47,8     | 10      | 55      | 19      | 692791 | 5000            |
|                    |                 |                   | 5/8"-11     | 50       | 47,8     | 10      | 55      | 24      | 692801 | 5000            |
|                    |                 |                   | 3/4"-10     | 50       | 47,8     | 10      | 55      | 30      | 692811 | 8000            |
|                    |                 |                   | M16         | 50       | 47       | 10      | 55      | 24      | 617632 | 5000            |
|                    | 2               | 46                | M20         | 50       | 47       | 10      | 55      | 30      | 617642 | 8000            |
|                    |                 |                   | M14         | 50       | 45,6     | 10      | 55      | 24      | 695411 | 5000            |
|                    |                 |                   | M16         | 50       | 45,5     | 10      | 55      | 24      | 63051  | 5000            |
|                    |                 |                   | M20         | 50       | 45,5     | 10      | 55      | 30      | 63001  | 8000            |

- Material: bushing in reinforced polyamid PA FV (black). Threaded insert in nickel plated brass.
- Packaging: 50 pieces.
- Fmax. = maximum applicable load in static conditions.

### Tube dimensions B.S.I.

| Outside dia.<br>Inch | mm      | Thickness<br>Inch | mm     | Inside dia.<br>mm | Thread<br>D | D1<br>mm | D2<br>mm | H<br>mm | L<br>mm | M<br>mm | Code   | Fmax.<br>N<br>↓ |      |
|----------------------|---------|-------------------|--------|-------------------|-------------|----------|----------|---------|---------|---------|--------|-----------------|------|
| ∅ 1,5"               | 38,1    | 0,065"            | 1,65   | 34,8              | 3/8"-16     | 38       | 35,5     | 8       | 43      | 19      | 661621 | 5000            |      |
|                      |         |                   |        |                   | 1/2"-13     | 38       | 35,5     | 8       | 43      | 19      | 59231  | 5000            |      |
|                      |         |                   |        |                   | 5/8"-11     | 38       | 35,5     | 8       | 43      | 24      | 59251  | 5000            |      |
|                      |         | 0,120"            | 3,05   | 32                | M16         | 38       | 35,5     | 8       | 43      | 24      | 62963  | 5000            |      |
|                      |         |                   |        |                   | 3/8"-16     | 38       | 32,6     | 8       | 43      | 19      | 672231 | 5000            |      |
|                      |         |                   |        |                   | 1/2"-13     | 38       | 32,6     | 8       | 43      | 19      | 61422  | 5000            |      |
|                      | 5/8"-11 |                   |        |                   | 38          | 32,6     | 8        | 43      | 24      | 61432   | 5000   |                 |      |
|                      | 3/4"-10 |                   |        |                   | 38          | 32,6     | 10       | 43      | 30      | 661631  | 8000   |                 |      |
|                      | 3/8"-16 |                   |        |                   | 50          | 45,6     | 10       | 55      | 19      | 672241  | 5000   |                 |      |
|                      | ∅ 2"    | 50,8              | 0,109" | 2,77              | 45,3        | 1/2"-13  | 50       | 45,6    | 10      | 55      | 19     | 61691           | 5000 |
|                      |         |                   |        |                   |             | 5/8"-11  | 50       | 45,6    | 10      | 55      | 24     | 59261           | 5000 |
|                      |         |                   |        |                   |             | 3/4"-10  | 50       | 45,6    | 10      | 55      | 30     | 59241           | 8000 |

- Item code for order = Part. + Code
- Material: bushing in reinforced polyamid PA FV (black). Threaded insert in nickel plated brass.
- Packaging: 50 pieces.
- Fmax. = maximum applicable load in static conditions.

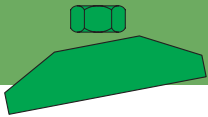


### Assembly

Pressure fitted.  
Interference fit.







## Threaded bushings for round tubes

- Best Seller
- ✔ Standard
- On request

Part. S0710



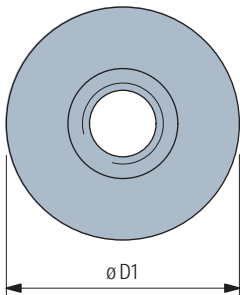
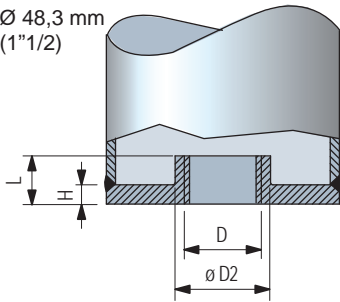
### Tube dimensions

| Outside dia.<br>mm | Thread<br>Poll"<br>D | D1<br>mm | D2<br>mm | H<br>mm | L<br>mm | Code | Fmax.<br>N<br>↓ |       |
|--------------------|----------------------|----------|----------|---------|---------|------|-----------------|-------|
| 48,3               | 1" 1/2               | M16      | 48,3     | 20      | 4       | 10   | 685682          | 20000 |

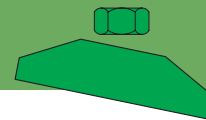
Item code for order = Part. + Code

- Assembly by welding.
- Material: austenitic stainless steel.
- Packaging: 48 pieces.
- Fmax. = maximum applicable load in static conditions.

For tubes  
Ø 48,3 mm  
(1" 1/2)



# Threaded bushings for square tubes



- Best Seller
- ✔ Standard
- On request

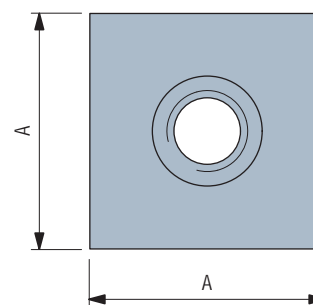
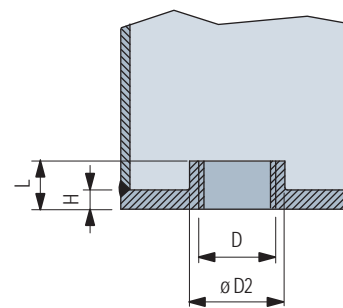
Part. S0713

**Metric tube dimensions**

| Outside dia.<br>mm | Thread<br>D | A<br>mm | D <sub>2</sub><br>mm | H<br>mm | L<br>mm | Code   | Fmax.<br>N<br>↓ |
|--------------------|-------------|---------|----------------------|---------|---------|--------|-----------------|
| ∅ 40               | M16         | 40      | 20                   | 4       | 10      | 685702 | 20000           |
| ∅ 50               | M16         | 50      | 20                   | 4       | 10      | 685742 |                 |

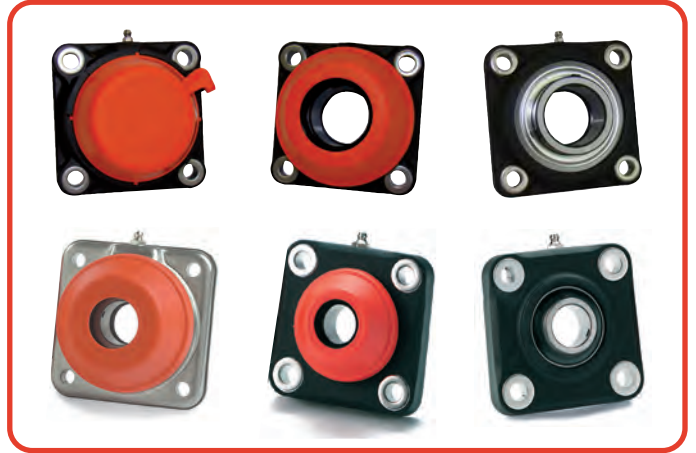
Item code for order = Part. + Code

- Assembly by welding.
- Material: austenitic stainless steel.
- Packaging: 48 pieces.
- Fmax. = maximum applicable load in static conditions.



## SQUARE FLANGE BEARING

Pag. B04 - B23



## OVAL FLANGE BEARING

Pag. B24 - B41



## SUPPORTI RITTI

Pag. B42 - B45



## PILLOW BLOCK BEARING

Pag. B46 - B49



## SIDE FLANGE BEARING

Pag. B50 - B53



## TAKE-UP BEARING

Pag. B54 - B57



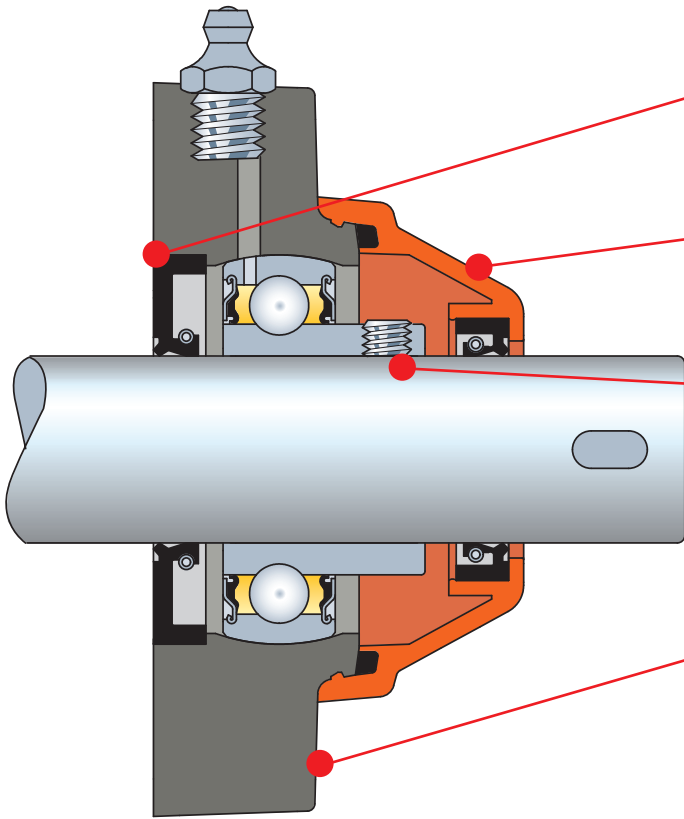
## ROUND FLANGE BEARING

Pag. B58 - B65



## TECHNICAL INFORMATIONS

Technical Informations see Pag. B67 - B81



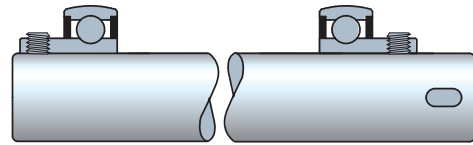
**Waterproof housing**

The waterproof sealing system guarantees protection of the bearing from the external environment

**Inspectable bearing**

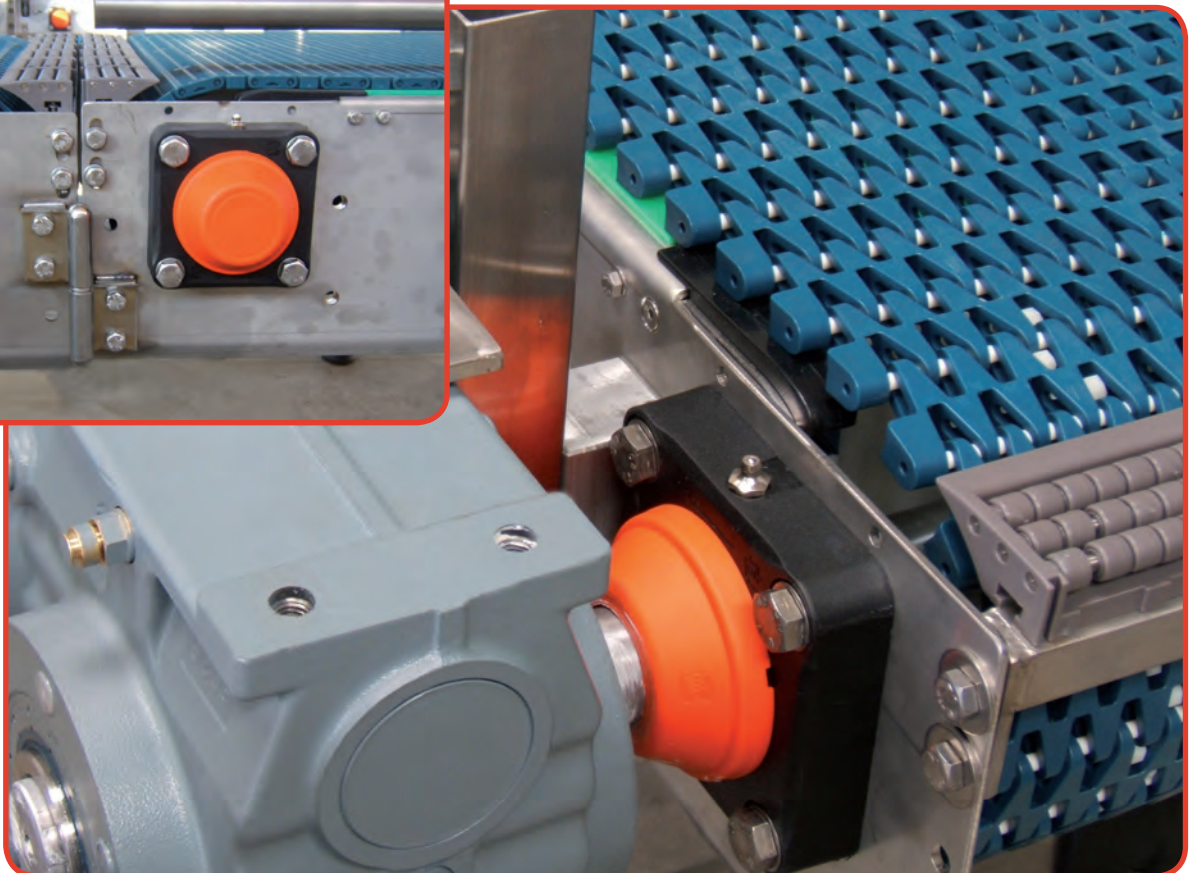
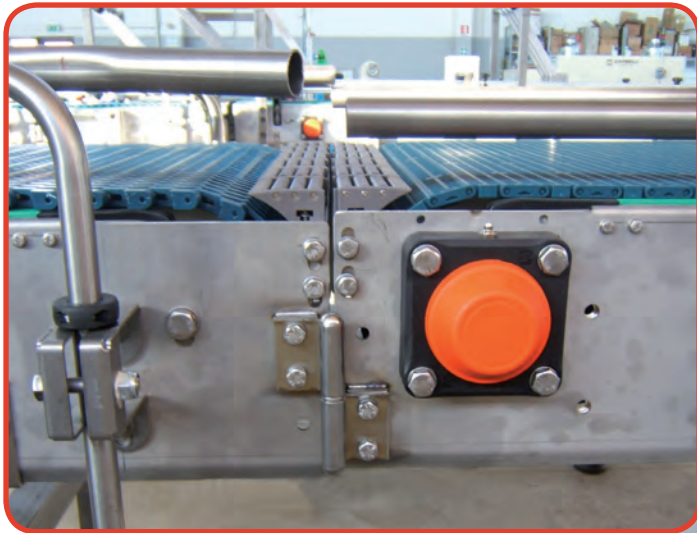
The clip-on protection cover can be removed for bearing inspection

**Locking by grub screws**



**ISO dimensions**

The overall dimensions can be interchanged with the corresponding cast iron type bearings

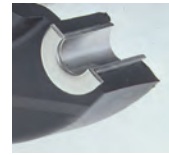


- Overall dimensions of self-aligning bearings are in accordance with ISO 3228 standards
- All self-aligning bearings are interchangeable with their correspondent cast iron versions



ISO dimensions

- Self-aligning bearings are equipped with stainless steel AISI 304/316 bushes to reinforce mounting holes
- The reinforcing bushings avoid damages to the plastic flange during screw tightening



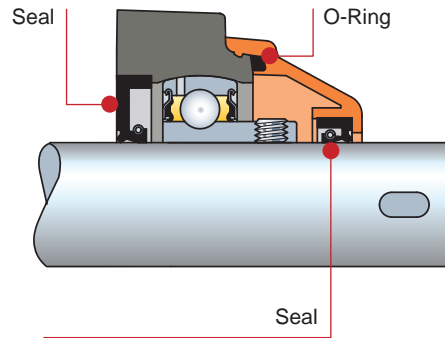
Fixing bushes

- Only best quality glass fibre reinforced polyamide PA FV/polypropylene PP FV thermoplastic resins are used for the self-aligning housings
- The resins used guarantee high resistance to oxidation and corrosion and at the same time equal the strength offered by cast iron housings. They offer a better resistance to impact
- Polyamide PA FV resins offer maximum heat and mechanical resistance
- Polypropylene PP FV resins offer maximum resistance to chemical agents



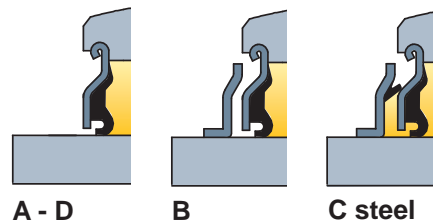
Thermoplastic resins

- A system of waterproof seals protects the bearing from external environment
- Protection from dust, humidity, washouts, chemical agents
- The clip-on protection cover allows inspection of the bearing



Waterproof housing

- Self-aligning bearings are equipped with ball bearings featuring multipurpose sealing systems.
- **A - D** - Superagriseal unit. The system consists of a metallic ring fitted with a low friction rubber sealing lip
- **B** - Superagriseal unit + centrifuging ring. The system is further equipped with a metallic protection ring providing a centrifugal sealing action.
- **C steel** - Superagriseal unit + rubberised centrifuging ring. This system is used in stainless steel bearings. The upper lip of the centrifuging ring together with the grease trapped between the base seal and the ring itself guarantees maximum sealing capacity.



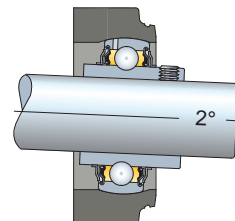
Bearing seals

- Waterproof self-aligning bearings feature seals for the protection against external environment
- Viton rubber seals ensure maximum resistance to chemical agents



Support seals

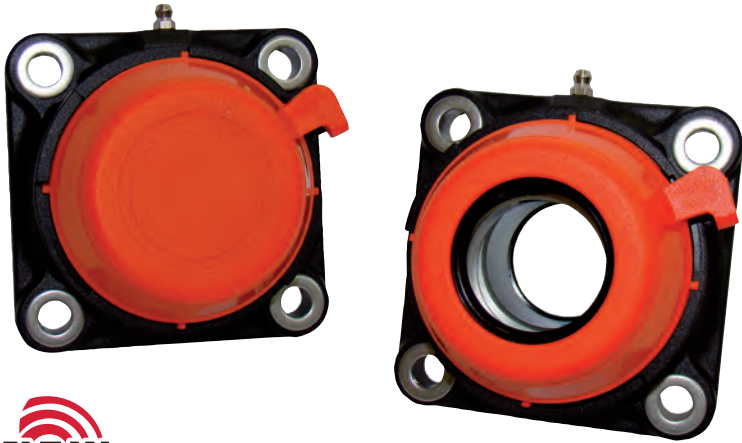
- All bearings are self-aligning, capable of compensating misalignments up to 2°



Misalignment

# Square flange bearing units

SUCFN/T - SHCFN/T



## Waterproof housing

### Grub screws or eccentric collar shaft locking

#### PA FV polyamide housing

High mechanical and heat resistance. Proof to dust, humidity, washouts, steam, average aggressive chemical agents.

#### PP FV polypropylene housing

Proof to highly aggressive chemical agents. Inferior loading ability.

#### Solid flange bearings

Closed surface structure, ideal for sanitation.

## Material

### PA FV polyamide housing

- Housing in reinforced polyamide PA FV resin (black)
- Protection cover in polypropylene PP (orange)
- Seal and O-Ring in NBR rubber (black)
- Ball type nickel plated brass greasing nipple
- Reinforcing bushings on mounting holes and washers in stainless steel AISI 304

### PP FV polypropylene housing

- Housing in reinforced polypropylene PP FV resin (white)
- Protection cover in polypropylene PP (orange)
- Seal and O-Ring in NBR rubber (black).  
On request supplied in Viton rubber (brown).  
Viton material offers high resistance to chemical agents
- Ball type stainless steel AISI 316 greasing nipple
- Reinforcing bushings on mounting holes and washers in stainless steel AISI 316.

## Continuous operating temperature

in air: - 20 to + 60°C.

## Maximum allowed misalignment: 2°.

## Bearing

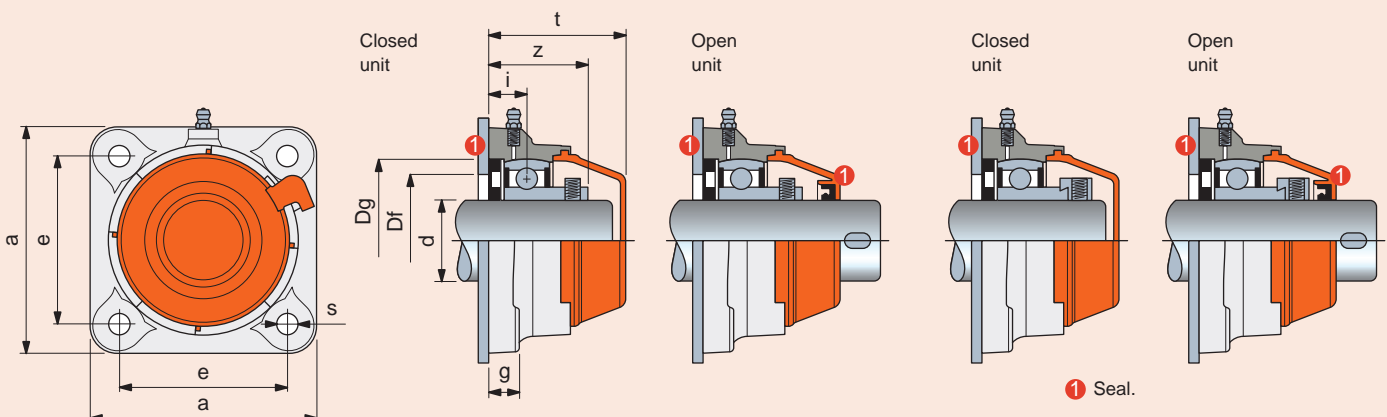


- Type A (grub screws shaft locking)
- Type D (eccentric collar shaft locking)
- Chrome alloy steel
- Superagriseal unit
- Prelubricated with lithium / calcium grease
- Can be relubricated.



### • Series SUCFN/T • Type A Grub screws shaft locking

### • Series SHCFN/T • Type D Eccentric collar shaft locking



| dia.<br>d<br>mm                                     | Series      | Housing material   |  | Dimensions in mm |     |    |    |    |      |    |    |      |      | Bore in frame <sup>1)</sup><br>Df |      | Bearing | Weight<br>Kg | Spare parts<br>Cover<br>orange<br><br>Code |  |
|---|-------------|--|--|------------------|-----|----|----|----|------|----|----|------|------|-----------------------------------|------|---------|--------------|--|--|
|   |             | Polyamide<br>PA FV<br>Solid Flange<br>(black)<br>Cover<br>(orange) | Polypropylene<br>PP FV<br>Solid Flange<br>(white)<br>Cover<br>(orange) | e                | a   | s  | g  | i  | z    | t  | Dg | max. | min. | Code                              |      |         |              |  |  |
| <b>Grub screws shaft locking • Closed unit</b>      |             |  |  |                  |     |    |    |    |      |    |    |      |      |                                   |      |         |              |  |  |
| 40*   | SUCFN 208 T | 637773   | 637853   | 83               | 110 | 11 | 15 | 19 | 44   | 67 | 80 | 78   | 65   | Type A                            | 0,82 | 630443  |              |  |  |
| <b>Grub screws shaft locking • Open unit</b>        |             |  |  |                  |     |    |    |    |      |    |    |      |      |                                   |      |         |              |  |  |
| 40*   | SUCFN 208 T | 637783   | 637863   | 83               | 110 | 11 | 15 | 19 | 44   | 67 | 80 | 78   | 65   | Type A                            | 0,82 | 630473  |              |  |  |
| <b>Eccentric collar shaft locking • Closed unit</b> |             |  |  |                  |     |    |    |    |      |    |    |      |      |                                   |      |         |              |  |  |
| 40*   | SHCFN 208 T | 637793   | 637873   | 83               | 110 | 11 | 15 | 19 | 51,7 | 67 | 80 | 78   | 65   | Type D                            | 1,01 | 630443  |              |  |  |
| <b>Eccentric collar shaft locking • Open unit</b>   |             |  |  |                  |     |    |    |    |      |    |    |      |      |                                   |      |         |              |  |  |
| 40*   | SHCFN 208 T | 637803   | 637883   | 83               | 110 | 11 | 15 | 19 | 51,7 | 67 | 80 | 78   | 65   | Type D                            | 1,01 | 630473  |              |  |  |

Item code for order = B0000 + Code

\* = Version with special fixing holes.

<sup>1)</sup> = Dimensions Df max / Df min must be respected to ensure positive retention of the seals and to allow air bleeding during lubrication.

Packaging: 6 pieces.



# Square flange bearing units

SUCFN/TL - SHCFN/TL

LIFE LUBRICATED



Dry use recommended



## Life lubricated

The ball-bearings are pre-lubricated with a special grease keeping the bearing for its whole life. No need for re-lubrication (see page B78 to calculate the grease life).

## Grub screws or eccentric collar shaft locking

### PA FV polyamide housing

High mechanical and heat resistance. Proof to dust, humidity, washouts, steam, average aggressive chemical agents.

### Solid flange bearings

Closed surface structure, ideal for sanitation.

## Material

### PA FV polyamide housing

- Housing in reinforced polyamide PA FV resin (black)
- Protection cover in polypropylene PP (orange)
- Seal and O-Ring in NBR rubber (black)
- Reinforcing bushings on mounting holes and washers in stainless steel AISI 304.

## Continuous operating temperature

in air: - 20 to + 60°C.

## Maximum allowed misalignment: 2°.

## Bearing

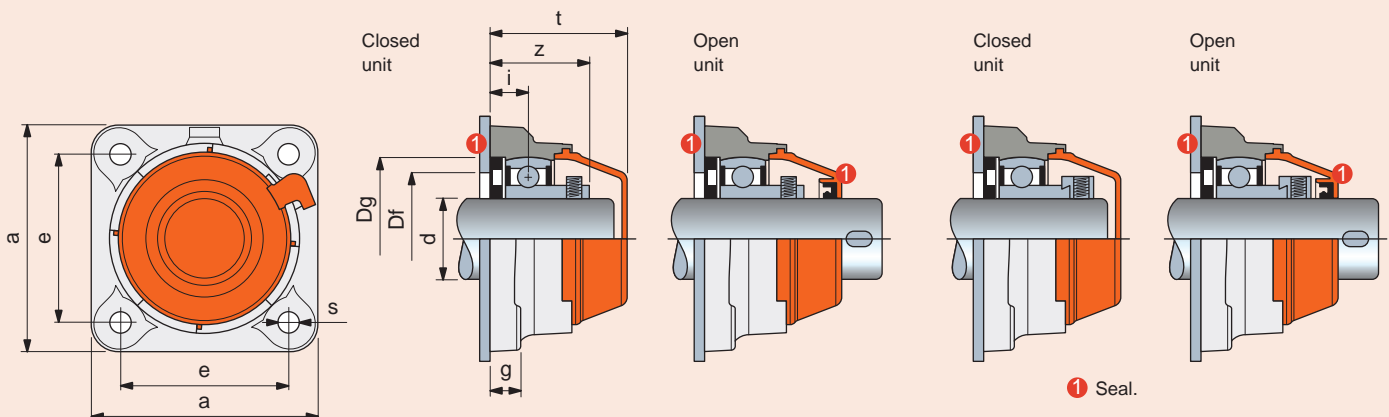


- Type A (grub screws shaft locking)
- Type D (eccentric collar shaft locking)
- Chrome alloy steel
- Superagriseal unit
- Prelubricated with lithium / calcium grease, no need for re-lubrication.



### • Series SUCFN/TL • Type A Grub screws shaft locking

### • Series SHCFN/TL • Type D Eccentric collar shaft locking



1 Seal.

## SUCFN/TL - SHCFN/TL

| dia.<br>d<br>mm                                     | Series       | Housing material   | Dimensions in mm |     |    |    |    |      |    |      | Dg | Bore in frame<br>Df |        | Bearing | Weight<br>Kg | Spare parts<br>Cover<br>orange |
|---|--------------|--|------------------|-----|----|----|----|------|----|------|----|---------------------|--------|---------|--------------|--------------------------------|
|   |              | Polyamide<br>PA FV<br>Solid Flange<br>(black)<br>Cover<br>(orange) | e                | a   | s  | g  | i  | z    | t  | max. |    | min.                | Code   |         |              |                                |
| <b>Grub screws shaft locking • Closed unit</b>      |              |  |                  |     |    |    |    |      |    |      |    |                     |        |         |              |                                |
| 40*   | SUCFN 208 TL | 637773L  | 83               | 110 | 11 | 15 | 19 | 44   | 67 | 80   | 78 | 65                  | Type A | 0,82    | 630443       |                                |
| <b>Grub screws shaft locking • Open unit</b>        |              |  |                  |     |    |    |    |      |    |      |    |                     |        |         |              |                                |
| 40*   | SUCFN 208 TL | 637783L  | 83               | 110 | 11 | 15 | 19 | 44   | 67 | 80   | 78 | 65                  | Type A | 0,82    | 630473       |                                |
| <b>Eccentric collar shaft locking • Closed unit</b> |              |  |                  |     |    |    |    |      |    |      |    |                     |        |         |              |                                |
| 40*   | SHCFN 208 TL | 637793L  | 83               | 110 | 11 | 15 | 19 | 51,7 | 67 | 80   | 78 | 65                  | Type D | 1,01    | 630443       |                                |
| <b>Eccentric collar shaft locking • Open unit</b>   |              |  |                  |     |    |    |    |      |    |      |    |                     |        |         |              |                                |
| 40*   | SHCFN 208 TL | 637803L  | 83               | 110 | 11 | 15 | 19 | 51,7 | 67 | 80   | 78 | 65                  | Type D | 1,01    | 630473       |                                |

Item code for order = B0000 + Code

\* = Version with special fixing holes.

Packaging: 6 pieces.

 Best Seller

 Standard

 On request

# Square flange bearing units

UCFN/C - SUCFN/C - HCFN/C - SHCFN/C



## Waterproof housing

### Grub screws or eccentric collar shaft locking

#### PA FV polyamide housing

High mechanical and heat resistance. Proof to dust, humidity, washouts, steam, average aggressive chemical agents.

#### PP FV polypropylene housing

Proof to highly aggressive chemical agents. Inferior loading ability.

#### Solid flange bearings

Closed surface structure, ideal for sanitation.

## Material

### PA FV polyamide housing

- Housing in reinforced polyamide PA FV resin (black)
- Protection cover in polypropylene PP (orange)
- Seal and O-Ring in NBR rubber (black)
- Ball type nickel plated brass greasing nipple
- Reinforcing bushings on mounting holes and washers in stainless steel AISI 304

### PP FV polypropylene housing

- Housing in reinforced polypropylene PP FV resin (white)
- Protection cover in polypropylene PP (orange)
- Seal and O-Ring in NBR rubber (black).  
On request supplied in Viton rubber (brown).  
Viton material offers high resistance to chemical agents
- Ball type stainless steel AISI 316 greasing nipple
- Reinforcing bushings on mounting holes and washers in stainless steel AISI 316.

## Continuous operating temperature

in air: - 20 to + 60°C.

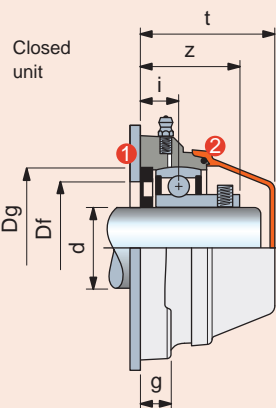
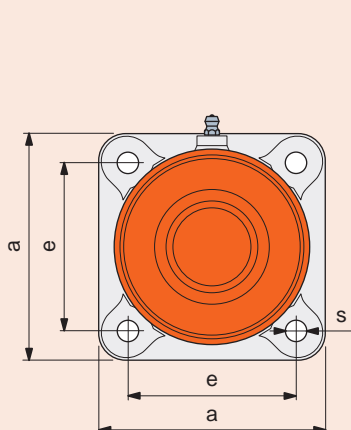
## Maximum allowed misalignment: 2°.

## Bearing

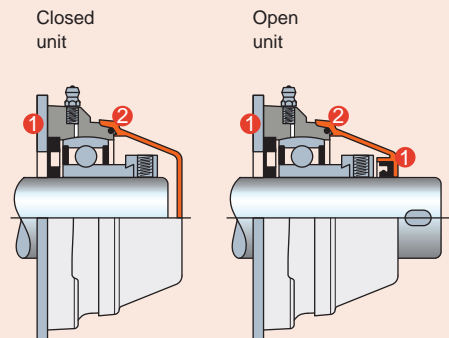


- Type A (grub screws shaft locking)
- Type D (eccentric collar shaft locking)
- Chrome alloy steel
- Superagriseal unit
- Prelubricated with lithium / calcium grease
- Can be relubricated.

### • Series UCFN/C • Type A Grub screws shaft locking



### • Series HCFN/C • Type D Eccentric collar shaft locking



- ① Seal.
- ② O-Ring.

## UCFN/C - SUCFN/C - HCFN/C - SHCFN/C

| dia.<br>d<br>mm                                     | Series      | Housing material   |  | Dimensions in mm |     |    |    |      |      |    |    |      |      | Bore in frame <sup>1)</sup><br>Df |      | Bearing | Weight<br>Kg | Spare parts<br>Cover<br>orange<br><br>Code |
|---|-------------|--|--|------------------|-----|----|----|------|------|----|----|------|------|-----------------------------------|------|---------|--------------|--|
|   |             | Polyamide<br>PA FV<br>Solid Flange<br>(black)<br>Cover<br>(orange) | Polypropylene<br>PP FV<br>Solid Flange<br>(white)<br>Cover<br>(orange) | e                | a   | s  | g  | i    | z    | t  | Dg | max. | min. |                                   |      |         |              |  |
|   |             | Code   | Code   |                  |     |    |    |      |      |    |    |      |      |                                   |      |         |              |  |
| <b>Grub screws shaft locking • Closed unit</b>      |             |  |  |                  |     |    |    |      |      |    |    |      |      |                                   |      |         |              |  |
| 30  | UCFN 206 C  | 632223   | 632463   | 83               | 110 | 11 | 15 | 20   | 42   | 55 | 62 | 60   | 50   | Type A                            | 0,50 | 63154   |              |  |
| 35*   | SUCFN 207 C | 632233   | 632473   | 83               | 110 | 11 | 15 | 19,5 | 43   | 59 | 72 | 70   | 55   | Type A                            | 0,61 | 682022  |              |  |
| 40*   | SUCFN 208 C | 632243   | 632483   | 83               | 110 | 11 | 15 | 19   | 44   | 66 | 80 | 78   | 65   | Type A                            | 0,82 | 600882  |              |  |
| <b>Grub screws shaft locking • Open unit</b>        |             |  |  |                  |     |    |    |      |      |    |    |      |      |                                   |      |         |              |  |
| 30  | UCFN 206 C  | 632253   | 632493   | 83               | 110 | 11 | 15 | 20   | 42   | 55 | 62 | 60   | 50   | Type A                            | 0,50 | 69965   |              |  |
| 35*   | SUCFN 207 C | 632263   | 632503   | 83               | 110 | 11 | 15 | 19,5 | 43   | 59 | 72 | 70   | 55   | Type A                            | 0,61 | 682032  |              |  |
| 40*   | SUCFN 208 C | 632273   | 632513   | 83               | 110 | 11 | 15 | 19   | 44   | 66 | 80 | 78   | 65   | Type A                            | 0,82 | 600892  |              |  |
| <b>Eccentric collar shaft locking • Closed unit</b> |             |  |  |                  |     |    |    |      |      |    |    |      |      |                                   |      |         |              |  |
| 30  | HCFN 206 C  | 632283   | 632523   | 83               | 110 | 11 | 15 | 20   | 46,7 | 55 | 62 | 60   | 50   | Type D                            | 0,57 | 63154   |              |  |
| 35*   | SHCFN 207 C | 632293   | 632533   | 83               | 110 | 11 | 15 | 19,5 | 48,9 | 59 | 72 | 70   | 55   | Type D                            | 0,79 | 682022  |              |  |
| 40*   | SHCFN 208 C | 632303   | 632543   | 83               | 110 | 11 | 15 | 19   | 51,7 | 66 | 80 | 78   | 65   | Type D                            | 1,01 | 600882  |              |  |
| <b>Eccentric collar shaft locking • Open unit</b>   |             |  |  |                  |     |    |    |      |      |    |    |      |      |                                   |      |         |              |  |
| 30  | HCFN 206 C  | 632313   | 632553   | 83               | 110 | 11 | 15 | 20   | 46,7 | 55 | 62 | 60   | 50   | Type D                            | 0,57 | 69965   |              |  |
| 35*   | SHCFN 207 C | 632323   | 632563   | 83               | 110 | 11 | 15 | 19,5 | 48,9 | 59 | 72 | 70   | 55   | Type D                            | 0,79 | 682032  |              |  |
| 40*   | SHCFN 208 C | 632333   | 632573   | 83               | 110 | 11 | 15 | 19   | 51,7 | 66 | 80 | 78   | 65   | Type D                            | 1,01 | 600892  |              |  |

Item code for order = B0000 + Code

\* = Version with special fixing holes.

<sup>1)</sup> = Dimensions Df max / Df min must be respected to ensure positive retention of the seals and to allow air bleeding during lubrication.

Packaging: 6 pieces.

 Best Seller

 Standard

 On request

# Square flange bearing units

UCFN/CL - SUCFN/CL - HCFN/CL - SHCFN/CL



LIFE LUBRICATED



Dry use recommended



## Life lubricated

The ball-bearings are pre-lubricated with a special grease keeping the bearing for its whole life. No need for re-lubrication (see page B78 to calculate the grease life).

## Grub screws or eccentric collar shaft locking

### PA FV polyamide housing

High mechanical and heat resistance. Proof to dust, humidity, washouts, steam, average aggressive chemical agents.

### Solid flange bearings

Closed surface structure, ideal for sanitation.

## Material

### PA FV polyamide housing

- Housing in reinforced polyamide PA FV resin (black)
- Protection cover in polypropylene PP (orange)
- Seal and O-Ring in NBR rubber (black)
- Reinforcing bushings on mounting holes and washers in stainless steel AISI 304.

## Continuous operating temperature

in air: - 20 to + 60°C.

## Maximum allowed misalignment: 2°.

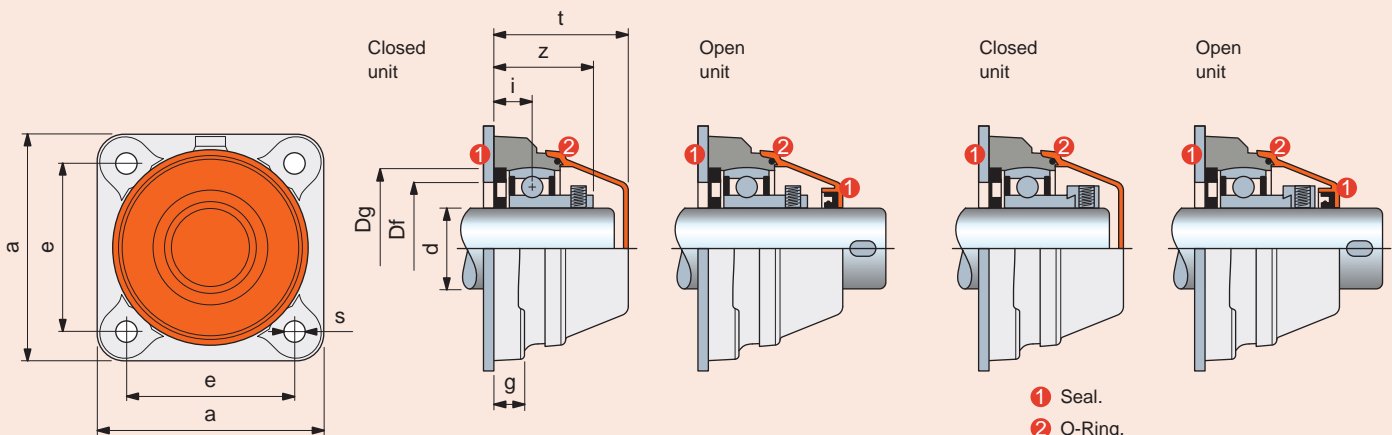
## Bearing



- Type A (grub screws shaft locking)
- Type D (eccentric collar shaft locking)
- Chrome alloy steel
- Superagriseal unit
- Prelubricated with lithium / calcium grease, no need for re-lubrication.

### • Series UCFN/CL • Type A Grub screws shaft locking

### • Series HCFN/CL • Type D Eccentric collar shaft locking



## UCFN/CL - SUCFN/CL - HCFN/CL - SHCFN/CL

| dia.<br>d<br>mm                                     | Series       | Housing material   |      | Dimensions in mm |    |    |      |      |    |    |    |      |        | Bore in frame Df |        | Bearing | Weight<br>Kg | Spare parts<br>Cover orange |  |
|---|--------------|--|------|------------------|----|----|------|------|----|----|----|------|--------|------------------|--------|---------|--------------|-----------------------------|--|
|   |              | Polyamide<br>PA FV<br>Solid Flange<br>(black)<br>Cover<br>(orange) | Code | e                | a  | s  | g    | i    | z  | t  | Dg | max. | min.   | Code             | Code   |         |              |                             |  |
| <b>Grub screws shaft locking • Closed unit</b>      |              |  |      |                  |    |    |      |      |    |    |    |      |        |                  |        |         |              |                             |  |
| 30  | UCFN 206 CL  | 632223L  | 83   | 110              | 11 | 15 | 20   | 42   | 55 | 62 | 60 | 50   | Type A | 0,50             | 63154  |         |              |                             |  |
| 35*   | SUCFN 207 CL | 632233L  | 83   | 110              | 11 | 15 | 19,5 | 43   | 59 | 72 | 70 | 55   | Type A | 0,61             | 682022 |         |              |                             |  |
| 40*   | SUCFN 208 CL | 632243L  | 83   | 110              | 11 | 15 | 19   | 44   | 66 | 80 | 78 | 65   | Type A | 0,82             | 600882 |         |              |                             |  |
| <b>Grub screws shaft locking • Open unit</b>        |              |  |      |                  |    |    |      |      |    |    |    |      |        |                  |        |         |              |                             |  |
| 30  | UCFN 206 CL  | 632253L  | 83   | 110              | 11 | 15 | 20   | 42   | 55 | 62 | 60 | 50   | Type A | 0,50             | 69965  |         |              |                             |  |
| 35*   | SUCFN 207 CL | 632263L  | 83   | 110              | 11 | 15 | 19,5 | 43   | 59 | 72 | 70 | 55   | Type A | 0,61             | 682032 |         |              |                             |  |
| 40*   | SUCFN 208 CL | 632273L  | 83   | 110              | 11 | 15 | 19   | 44   | 66 | 80 | 78 | 65   | Type A | 0,82             | 600892 |         |              |                             |  |
| <b>Eccentric collar shaft locking • Closed unit</b> |              |  |      |                  |    |    |      |      |    |    |    |      |        |                  |        |         |              |                             |  |
| 30  | HCFN 206 CL  | 632283L  | 83   | 110              | 11 | 15 | 20   | 46,7 | 55 | 62 | 60 | 50   | Type D | 0,57             | 63154  |         |              |                             |  |
| 35*   | SHCFN 207 CL | 632293L  | 83   | 110              | 11 | 15 | 19,5 | 48,9 | 59 | 72 | 70 | 55   | Type D | 0,79             | 682022 |         |              |                             |  |
| 40*   | SHCFN 208 CL | 632303L  | 83   | 110              | 11 | 15 | 19   | 51,7 | 66 | 80 | 78 | 65   | Type D | 1,01             | 600882 |         |              |                             |  |
| <b>Eccentric collar shaft locking • Open unit</b>   |              |  |      |                  |    |    |      |      |    |    |    |      |        |                  |        |         |              |                             |  |
| 30  | HCFN 206 CL  | 632313L  | 83   | 110              | 11 | 15 | 20   | 46,7 | 55 | 62 | 60 | 50   | Type D | 0,57             | 69965  |         |              |                             |  |
| 35*   | SHCFN 207 CL | 632323L  | 83   | 110              | 11 | 15 | 19,5 | 48,9 | 59 | 72 | 70 | 55   | Type D | 0,79             | 682032 |         |              |                             |  |
| 40*   | SHCFN 208 CL | 632333L  | 83   | 110              | 11 | 15 | 19   | 51,7 | 66 | 80 | 78 | 65   | Type D | 1,01             | 600892 |         |              |                             |  |

Item code for order = B0000 + Code

\* = Version with special fixing holes.

Packaging: 6 pieces.

Best Seller

Standard

On request

# Square flange bearing units

UCFN - SUCFN - HCFN - SHCFN



Accessories

**Material**

**PA FV polyamide housing**

- Housing in reinforced polyamide PA FV resin (black)
- Ball type nickel plated brass greasing nipple
- Reinforcing bushings on mounting holes and washers in stainless steel AISI 304.

**PP FV polypropylene housing**

- Housing in reinforced polypropylene PP FV resin (white)
- Bearing in stainless steel AISI 420
- Ball type stainless steel AISI 316 greasing nipple
- Reinforcing bushings on mounting holes and washers in stainless steel AISI 316.

**Continuous operating temperature**

in air: - 20 to + 60°C.

**Maximum allowed misalignment: 2°.**

**Bearing**

- Type B (grub screws shaft locking, chrome alloy steel, Superagriseal unit plus centrifuging ring)
- Type C (grub screws shaft locking, stainless steel AISI 420, Superagriseal unit plus rubberised centrifuging ring)
- Type A (grub screws shaft locking, chrome alloy steel, Superagriseal unit)
- Type D (eccentric collar shaft locking, chrome alloy steel, Superagriseal unit)
- Prelubricated with lithium / calcium grease
- Can be relubricated.

**Grub screws or eccentric collar shaft locking**

**Version with bearing Type B**

The double ring guarantees maximum protection against dust and non-corrosive substances.

**Version with stainless steel bearing Type C**

AISI 420 stainless steel bearing with 2 rubberised rings, provides excellent seal against humidity, steams, liquids, medium corrosive chemical agents. Maximum load ability is inferior.

**Version with bearing Type A**

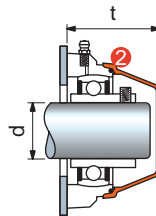
The rubberised ring guarantees maximum protection against dusts.

**Material**

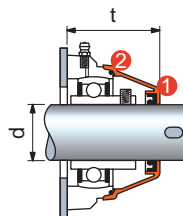
Polyamide PA FV guarantees maximum strength and high-temperature resistance. Polypropylene PP FV offers excellent resistance to chemical agents but inferior load ability.

**Protection covers (accessories)**

**Closed cover**



**Open cover**



1 Seals.

2 Seals O-Ring.

| dia.<br>d<br>mm                         | Accessories<br>Cover<br>orange | t<br>mm |
|---|--------------------------------|---------|
|   | Code                           |         |
| <b>Closed cover supplied with seals</b> |                                |         |
| 30                                      | 63154                          | 55      |
| 35*                                     | 682022                         | 59      |
| 40*                                     | 600882                         | 66      |
| <b>Open cover supplied with seals</b>   |                                |         |
| 30                                      | 69965                          | 55      |
| 35*                                     | 682032                         | 59      |
| 40*                                     | 600892                         | 66      |

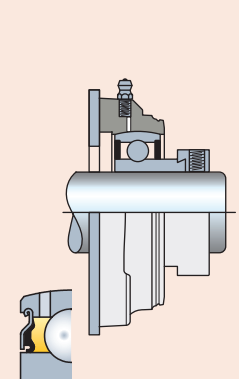
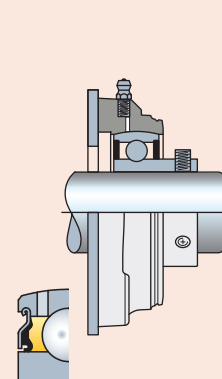
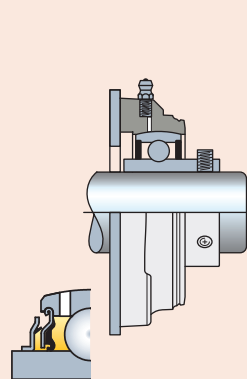
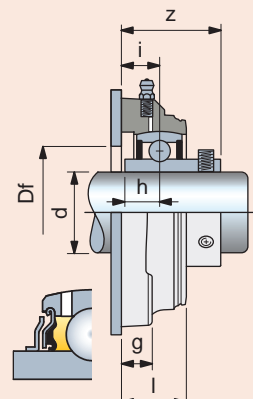
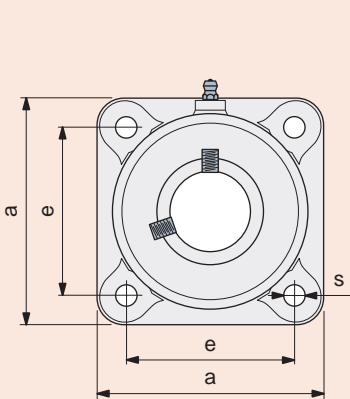
\* = Version with special fixing holes.

• Series UCFN • Type B  
Grub screws shaft  
locking

• Series UCFN • Type C  
Grub screws shaft  
locking

• Series UCFN • Type A  
Grub screws shaft  
locking

• Series HCFN • Type D  
Eccentric collar shaft  
locking



## UCFN - SUCFN - HCFN - SHCFN

| dia.<br>d<br>mm  | Series    | Housing material                              |   | Dimensions in mm |     |    |    |      |      |      |      |    | Bore in<br>frame<br>Df<br>mm | Bearing | Weight<br>Kg |
|--|-----------|---|---|------------------|-----|----|----|------|------|------|------|----|------------------------------|---------|--------------|
|  |           | Polyamide<br>PA FV<br>Solid Flange<br>(black) | Polypropylene<br>PP FV<br>Solid Flange<br>(white) | e                | a   | s  | g  | i    | h    | l    | z    |    |                              |         |              |
| <b>Grub screws shaft locking • Version with bearing Type B</b>                 |           |   |   |                  |     |    |    |      |      |      |      |    |                              |         |              |
| 30   | UCFN 206  | <b>634103</b>                                 | -   | 83               | 110 | 11 | 15 | 20   | 15,9 | 31,5 | 42,2 | 34 | Type B                       | 0,51    |              |
| 35*  | SUCFN 207 | <b>634113</b>                                 | -   | 83               | 110 | 11 | 15 | 19,5 | 17,5 | 31,5 | 44,9 | 39 | Type B                       | 0,59    |              |
| 40*  | SUCFN 208 | <b>634123</b>                                 | -   | 83               | 110 | 11 | 15 | 19   | 19   | 31,5 | 49,2 | 44 | Type B                       | 0,82    |              |
| <b>Grub screws shaft locking • Version with stainless steel bearing Type C</b> |           |   |   |                  |     |    |    |      |      |      |      |    |                              |         |              |
| 30   | UCFN 206  | <b>634133</b>                                 | <b>634313</b>                                     | 83               | 110 | 11 | 15 | 20   | 15,9 | 31,5 | 42,2 | 34 | Type C                       | 0,51    |              |
| 35*  | SUCFN 207 | <b>634143</b>                                 | <b>634323</b>                                     | 83               | 110 | 11 | 15 | 19,5 | 17,5 | 31,5 | 44,9 | 39 | Type C                       | 0,59    |              |
| 40*  | SUCFN 208 | <b>634153</b>                                 | <b>634333</b>                                     | 83               | 110 | 11 | 15 | 19   | 19   | 31,5 | 49,2 | 44 | Type C                       | 0,82    |              |
| <b>Grub screws shaft locking • Version with bearing Type A</b>                 |           |   |   |                  |     |    |    |      |      |      |      |    |                              |         |              |
| 30   | UCFN 206  | <b>634163</b>                                 | <b>634343</b>                                     | 83               | 110 | 11 | 15 | 20   | -    | 31,5 | 42   | 34 | Type A                       | 0,48    |              |
| 35*  | SUCFN 207 | <b>634173</b>                                 | <b>634353</b>                                     | 83               | 110 | 11 | 15 | 19,5 | -    | 31,5 | 43   | 39 | Type A                       | 0,56    |              |
| 40*  | SUCFN 208 | <b>634183</b>                                 | <b>634363</b>                                     | 83               | 110 | 11 | 15 | 19   | -    | 31,5 | 44   | 44 | Type A                       | 0,79    |              |
| <b>Eccentric collar shaft locking • Version with bearing Type D</b>            |           |   |   |                  |     |    |    |      |      |      |      |    |                              |         |              |
| 30   | HCFN 206  | <b>634193</b>                                 | <b>634373</b>                                     | 83               | 110 | 11 | 15 | 20   | -    | 31,5 | 46,7 | 34 | Type D                       | 0,55    |              |
| 35*  | SHCFN 207 | <b>634203</b>                                 | <b>634383</b>                                     | 83               | 110 | 11 | 15 | 19,5 | -    | 31,5 | 48,9 | 39 | Type D                       | 0,76    |              |
| 40*  | SHCFN 208 | <b>634213</b>                                 | <b>634393</b>                                     | 83               | 110 | 11 | 15 | 19   | -    | 31,5 | 51,7 | 44 | Type D                       | 0,98    |              |

Item code for order = B0000 + Code

\* = Version with special fixing holes.

Packaging: 6 pieces.

 Best Seller

 Standard

 On request



# Square flange bearing units

UCF/C - SUCF/C - HCF/C - SHCF/C



## Waterproof housing

### Grub screws or eccentric collar shaft locking

#### PA FV polyamide housing

High mechanical and heat resistance. Proof to dust, humidity, washouts, steam, average aggressive chemical agents.

#### PP FV polypropylene housing

Proof to highly aggressive chemical agents. Inferior loading ability.

#### Solid flange bearings

They differ from standard flange versions for their closed surface structure, ideal for sanitation.

## Material

### PA FV polyamide housing

- Housing in reinforced polyamide PA FV resin (black)
- Protection cover in polypropylene PP (orange)
- Seal and O-Ring in NBR rubber (black)
- Ball type nickel plated brass greasing nipple
- Reinforcing bushings on mounting holes and washers in stainless steel AISI 304

### PP FV polypropylene housing

- Housing in reinforced polypropylene PP FV resin (white)
- Protection cover in polypropylene PP (orange)
- Seal and O-Ring in NBR rubber (black).  
On request supplied in Viton rubber (brown).  
Viton material offers high resistance to chemical agents
- Ball type stainless steel AISI 316 greasing nipple
- Reinforcing bushings on mounting holes and washers in stainless steel AISI 316.

## Continuous operating temperature

in air: - 20 to + 60°C.

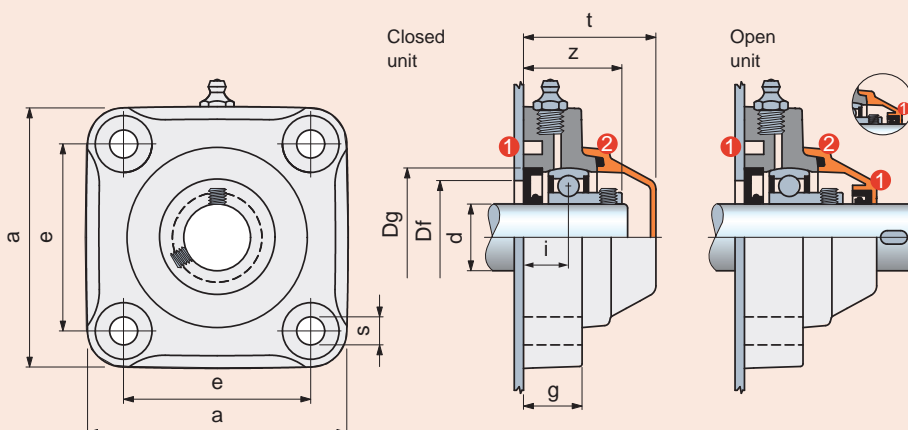
## Maximum allowed misalignment: 2°.

## Bearing

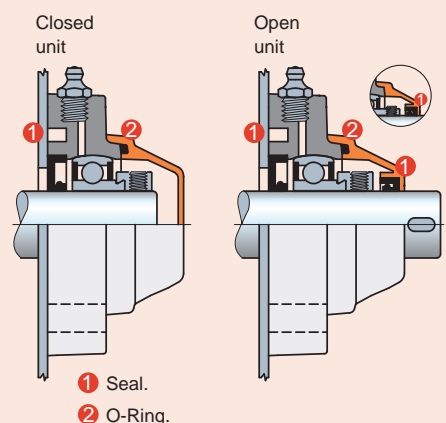


- Type A (grub screws shaft locking)
- Type D (eccentric collar shaft locking)
- Chrome alloy steel
- Superagriseal unit
- Prelubricated with lithium / calcium grease
- Can be relubricated.

### • Series UCF/C • Type A Grub screws shaft locking



### • Series HCF/C • Type D Eccentric collar shaft locking



# UCF/C - SUCF/C - HCF/C - SHCF/C

| dia.<br>d<br>mm                                     | Series     | Housing material  |  | Dimensions in mm |     |    |      |      |      |      |    |      |      | Bore in frame <sup>2)</sup><br>Df |      | Bearing | Weight<br>Kg | Spare parts<br>Cover<br>orange<br><br>Code |
|---|------------|---|--|------------------|-----|----|------|------|------|------|----|------|------|-----------------------------------|------|---------|--------------|--|
|   |            | Polyamide<br>PA FV<br>Standard Flange<br>(black)<br>Cover<br>(orange) | Polypropylene<br>PP FV<br>Solid Flange<br>(white)<br>Cover<br>(orange) | e                | a   | s  | g    | i    | z    | t    | Dg | max. | min. |                                   |      |         |              |  |
|   |            | Code  |  |                  |     |    |      |      |      |      |    |      |      |                                   |      |         |              |  |
| <b>Grub screws shaft locking • Closed unit</b>      |            |   |  |                  |     |    |      |      |      |      |    |      |      |                                   |      |         |              |  |
| 25  | UCF 205 C  | 64573   | 680932   | 70               | 98  | 11 | 22,5 | 16,8 | 36,3 | 49,5 | 52 | 50   | 45   | Type A                            | 0,40 | 681952  |              |  |
| 25*   | SUCF 205 C | 603043  | -  | 83               | 110 | 11 | 26   | 19,3 | 38,8 | 54   | 52 | 50   | 45   | Type A                            | 0,50 | 681952  |              |  |
| 30  | UCF 206 C  | 63112   | 680942   | 83               | 110 | 11 | 26   | 20   | 42   | 56   | 62 | 60   | 50   | Type A                            | 0,56 | 63154   |              |  |
| 35  | UCF 207 C  | 64018   | 680952   | 92               | 120 | 11 | 26   | 19,5 | 43   | 59   | 72 | 70   | 55   | Type A                            | 0,72 | 682022  |              |  |
| 35*   | SUCF 207 C | 680522 <sup>1)</sup>  | 680962   | 83               | 110 | 11 | 26   | 19,5 | 43   | 61   | 72 | 70   | 55   | Type A                            | 0,67 | 63539   |              |  |
| 40  | UCF 208 C  | 68916   | 680972   | 102              | 131 | 11 | 30   | 22   | 47   | 65,5 | 80 | 78   | 65   | Type A                            | 0,95 | 63539   |              |  |
| 40*   | SUCF 208 C | 61819   | 680982   | 83               | 110 | 11 | 26   | 19   | 44   | 66   | 80 | 78   | 65   | Type A                            | 0,88 | 600882  |              |  |
| 45*   | SUCF 209 C | 686592 <sup>1)</sup>  | 686752   | 102              | 131 | 11 | 30   | 23   | 54   | 73   | 85 | 83   | 75   | Type A                            | 1,10 | 686972  |              |  |
| 50*   | SUCF 210 C | 686602 <sup>1)</sup>  | 686762   | 102              | 131 | 11 | 30   | 23   | 55,6 | 73   | 90 | 88   | 80   | Type A                            | 1,20 | 686972  |              |  |
| <b>Grub screws shaft locking • Open unit</b>        |            |   |  |                  |     |    |      |      |      |      |    |      |      |                                   |      |         |              |  |
| 25  | UCF 205 C  | 64623   | 680992   | 70               | 98  | 11 | 22,5 | 16,8 | 36,3 | 49,5 | 52 | 50   | 45   | Type A                            | 0,40 | 681972  |              |  |
| 25*   | SUCF 205 C | 603053  | -  | 83               | 110 | 11 | 26   | 19,3 | 38,8 | 54   | 52 | 50   | 45   | Type A                            | 0,50 | 681972  |              |  |
| 30  | UCF 206 C  | 63172   | 681002   | 83               | 110 | 11 | 26   | 20   | 42   | 56   | 62 | 60   | 50   | Type A                            | 0,56 | 69965   |              |  |
| 35  | UCF 207 C  | 64028   | 681012   | 92               | 120 | 11 | 26   | 19,5 | 43   | 59   | 72 | 70   | 55   | Type A                            | 0,72 | 682032  |              |  |
| 35*   | SUCF 207 C | 680582 <sup>1)</sup>  | 681022   | 83               | 110 | 11 | 26   | 19,5 | 43   | 61   | 72 | 70   | 55   | Type A                            | 0,67 | 615692  |              |  |
| 40  | UCF 208 C  | 68926   | 681032   | 102              | 131 | 11 | 30   | 22   | 47   | 65,5 | 80 | 78   | 65   | Type A                            | 0,95 | 63549   |              |  |
| 40*   | SUCF 208 C | 61829   | 681042   | 83               | 110 | 11 | 26   | 19   | 44   | 66   | 80 | 78   | 65   | Type A                            | 0,88 | 600892  |              |  |
| 45*   | SUCF 209 C | 686612 <sup>1)</sup>  | 686772   | 102              | 131 | 11 | 30   | 23   | 54   | 73   | 85 | 83   | 75   | Type A                            | 1,10 | 686992  |              |  |
| 50*   | SUCF 210 C | 686622 <sup>1)</sup>  | 686782   | 102              | 131 | 11 | 30   | 23   | 55,6 | 73   | 90 | 88   | 80   | Type A                            | 1,20 | 687002  |              |  |
| <b>Eccentric collar shaft locking • Closed unit</b> |            |   |  |                  |     |    |      |      |      |      |    |      |      |                                   |      |         |              |  |
| 25  | HCF 205 C  | 680452  | 681052   | 70               | 98  | 11 | 22,5 | 16,8 | 40,2 | 49,5 | 52 | 50   | 45   | Type D                            | 0,44 | 681952  |              |  |
| 25*   | SHCF 205 C | 603063  | -  | 83               | 110 | 11 | 26   | 19,3 | 42,7 | 54   | 52 | 50   | 45   | Type D                            | 0,57 | 681952  |              |  |
| 30  | HCF 206 C  | 621501  | 681062   | 83               | 110 | 11 | 26   | 20   | 46,7 | 56   | 62 | 60   | 50   | Type D                            | 0,63 | 63154   |              |  |
| 35  | HCF 207 C  | 680462  | 681072   | 92               | 120 | 11 | 26   | 19,5 | 48,9 | 59   | 72 | 70   | 55   | Type D                            | 0,90 | 682022  |              |  |
| 35*   | SHCF 207 C | 680642 <sup>1)</sup>  | 681082   | 83               | 110 | 11 | 26   | 19,5 | 48,9 | 61   | 72 | 70   | 55   | Type D                            | 0,85 | 63539   |              |  |
| 40*   | SHCF 208 C | 62439   | 681092   | 83               | 110 | 11 | 26   | 19   | 51,7 | 66   | 80 | 78   | 65   | Type D                            | 1,07 | 600882  |              |  |
| 45*   | SHCF 209 C | 686632 <sup>1)</sup>  | 686792   | 102              | 131 | 11 | 30   | 23   | 55,7 | 73   | 85 | 83   | 75   | Type D                            | 1,29 | 686972  |              |  |
| 50*   | SHCF 210 C | 686642  | 686802   | 102              | 131 | 11 | 30   | 23   | 55,7 | 73   | 90 | 88   | 80   | Type D                            | 1,39 | 686972  |              |  |
| <b>Eccentric collar shaft locking • Open unit</b>   |            |   |  |                  |     |    |      |      |      |      |    |      |      |                                   |      |         |              |  |
| 25  | HCF 205 C  | 680472  | 681102   | 70               | 98  | 11 | 22,5 | 16,8 | 40,2 | 49,5 | 52 | 50   | 45   | Type D                            | 0,44 | 681972  |              |  |
| 25*   | SHCF 205 C | 603073  | -  | 83               | 110 | 11 | 26   | 19,3 | 42,7 | 54   | 52 | 50   | 45   | Type D                            | 0,57 | 681972  |              |  |
| 30  | HCF 206 C  | 621481  | 681112   | 83               | 110 | 11 | 26   | 20   | 46,7 | 56   | 62 | 60   | 50   | Type D                            | 0,63 | 69965   |              |  |
| 35  | HCF 207 C  | 680482  | 681122   | 92               | 120 | 11 | 26   | 19,5 | 48,9 | 59   | 72 | 70   | 55   | Type D                            | 0,90 | 682032  |              |  |
| 35*   | SHCF 207 C | 680692 <sup>1)</sup>  | 681132   | 83               | 110 | 11 | 26   | 19,5 | 48,9 | 61   | 72 | 70   | 55   | Type D                            | 0,85 | 615692  |              |  |
| 40*   | SHCF 208 C | 62449   | 681142   | 83               | 110 | 11 | 26   | 19   | 51,7 | 66   | 80 | 78   | 65   | Type D                            | 1,07 | 600892  |              |  |
| 45*   | SHCF 209 C | 686652 <sup>1)</sup>  | 686812   | 102              | 131 | 11 | 30   | 23   | 55,7 | 73   | 85 | 83   | 75   | Type D                            | 1,29 | 686992  |              |  |
| 50*   | SHCF 210 C | 686662 <sup>1)</sup>  | 686822   | 102              | 131 | 11 | 30   | 23   | 55,7 | 73   | 90 | 88   | 80   | Type D                            | 1,39 | 687002  |              |  |

Item code for order = B0000 + Code

\* = Version with special fixing holes.

<sup>1)</sup> = Solid flange.

<sup>2)</sup> = Dimensions Df max / Df min must be respected to ensure positive retention of the seals and to allow air bleeding during lubrication.

Packaging: 6 pieces.

Best Seller

Standard

On request

# Square flange bearing units

UCF/CL - SUCF/CL - HCF/CL - SHCF/CL

LIFE LUBRICATED



Dry use recommended



## Life lubricated

The ball-bearings are pre-lubricated with a special grease keeping the bearing for its whole life. No need for re-lubrication (see page B78 to calculate the grease life)

## Grub screws or eccentric collar shaft locking

### PA FV polyamide housing

High mechanical and heat resistance. Proof to dust, humidity, washouts, steam, average aggressive chemical agents.

### Solid flange bearings

They differ from standard flange versions for their closed surface structure, ideal for sanitation.

## Material

### PA FV polyamide housing

- Housing in reinforced polyamide PA FV resin (black)
- Protection cover in polypropylene PP (orange)
- Seal and O-Ring in NBR rubber (black)
- Reinforcing bushings on mounting holes and washers in stainless steel AISI 304.

## Continuous operating temperature

in air: - 20 to + 60°C.

## Maximum allowed misalignment: 2°.

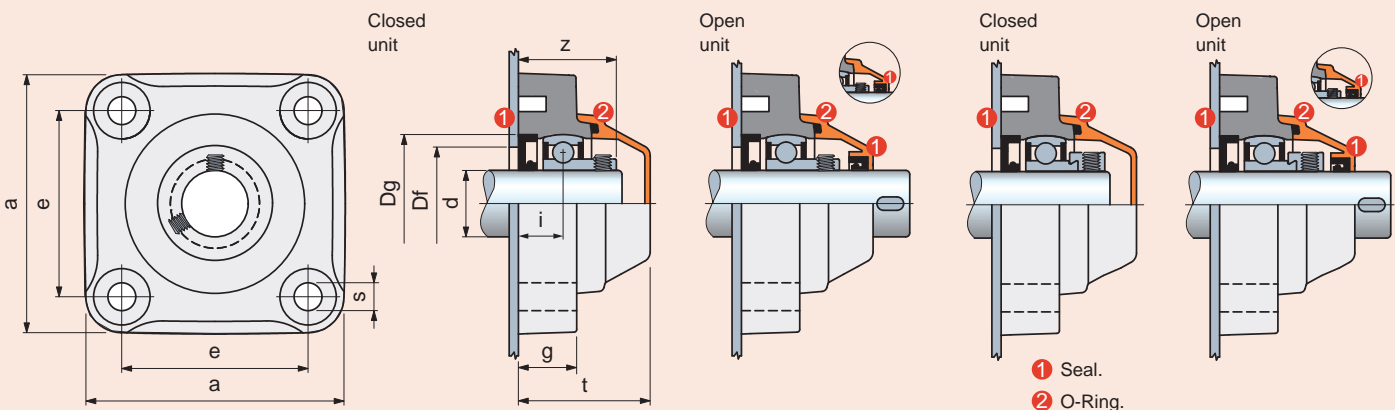
## Bearing



- Type A (grub screws shaft locking)
- Type D (eccentric collar shaft locking)
- Chrome alloy steel
- Superagriseal unit
- Prelubricated with lithium / calcium grease, no need for re-lubrication.

### • Series UCF/CL • Type A Grub screws shaft locking

### • Series HCF/CL • Type D Eccentric collar shaft locking



## UCF/CL - SUCF/CL - HCF/CL - SHCF/CL

| dia.<br>d<br>mm                                     | Series      | Housing material  | Dimensions in mm |     |    |      |      |      |      |    | Bore in frame<br>Df |      | Bearing | Weight<br>Kg | Spare parts<br>Cover<br>orange |
|---|-------------|---|------------------|-----|----|------|------|------|------|----|---------------------|------|---------|--------------|--------------------------------|
|   |             | Polyamide<br>PA FV<br>Standard Flange<br>(black)<br>Cover<br>(orange) | e                | a   | s  | g    | i    | z    | t    | Dg | max.                | min. |         |              | Code                           |
| <b>Grub screws shaft locking • Closed unit</b>      |             |   |                  |     |    |      |      |      |      |    |                     |      |         |              |                                |
| 25  | UCF 205 CL  | 64573L  | 70               | 98  | 11 | 22,5 | 16,8 | 36,3 | 49,5 | 52 | 50                  | 45   | Type A  | 0,40         | 681952                         |
| 25*   | SUCF 205 CL | 603043L   | 83               | 110 | 11 | 26   | 19,3 | 38,8 | 54   | 52 | 50                  | 45   | Type A  | 0,50         | 681952                         |
| 30  | UCF 206 CL  | 63112L  | 83               | 110 | 11 | 26   | 20   | 42   | 56   | 62 | 60                  | 50   | Type A  | 0,56         | 63154                          |
| 35  | UCF 207 CL  | 64018L  | 92               | 120 | 11 | 26   | 19,5 | 43   | 59   | 72 | 70                  | 55   | Type A  | 0,72         | 682022                         |
| 40  | UCF 208 CL  | 68916L  | 102              | 131 | 11 | 30   | 22   | 47   | 65,5 | 80 | 78                  | 65   | Type A  | 0,95         | 63539                          |
| 40*   | SUCF 208 CL | 61819L  | 83               | 110 | 11 | 26   | 19   | 44   | 66   | 80 | 78                  | 65   | Type A  | 0,88         | 600882                         |
| <b>Grub screws shaft locking • Open unit</b>        |             |   |                  |     |    |      |      |      |      |    |                     |      |         |              |                                |
| 25  | UCF 205 CL  | 64623L  | 70               | 98  | 11 | 22,5 | 16,8 | 36,3 | 49,5 | 52 | 50                  | 45   | Type A  | 0,40         | 681972                         |
| 25*   | SUCF 205 CL | 603053L   | 83               | 110 | 11 | 26   | 19,3 | 38,8 | 54   | 52 | 50                  | 45   | Type A  | 0,50         | 681972                         |
| 30  | UCF 206 CL  | 63172L  | 83               | 110 | 11 | 26   | 20   | 42   | 56   | 62 | 60                  | 50   | Type A  | 0,56         | 69965                          |
| 35  | UCF 207 CL  | 64028L  | 92               | 120 | 11 | 26   | 19,5 | 43   | 59   | 72 | 70                  | 55   | Type A  | 0,72         | 682032                         |
| 40  | UCF 208 CL  | 68926L  | 102              | 131 | 11 | 30   | 22   | 47   | 65,5 | 80 | 78                  | 65   | Type A  | 0,95         | 63549                          |
| 40*   | SUCF 208 CL | 61829L  | 83               | 110 | 11 | 26   | 19   | 44   | 66   | 80 | 78                  | 65   | Type A  | 0,88         | 600892                         |
| <b>Eccentric collar shaft locking • Closed unit</b> |             |   |                  |     |    |      |      |      |      |    |                     |      |         |              |                                |
| 25  | HCF 205 CL  | 680452L   | 70               | 98  | 11 | 22,5 | 16,8 | 40,2 | 49,5 | 52 | 50                  | 45   | Type D  | 0,44         | 681952                         |
| 25*   | SHCF 205 CL | 603063L   | 83               | 110 | 11 | 26   | 19,3 | 42,7 | 54   | 52 | 50                  | 45   | Type D  | 0,57         | 681952                         |
| 30  | HCF 206 CL  | 621501L   | 83               | 110 | 11 | 26   | 20   | 46,7 | 56   | 62 | 60                  | 50   | Type D  | 0,63         | 63154                          |
| 35  | HCF 207 CL  | 680462L   | 92               | 120 | 11 | 26   | 19,5 | 48,9 | 59   | 72 | 70                  | 55   | Type D  | 0,90         | 682022                         |
| 40*   | SHCF 208 CL | 62439L  | 83               | 110 | 11 | 26   | 19   | 51,7 | 66   | 80 | 78                  | 65   | Type D  | 1,07         | 600882                         |
| <b>Eccentric collar shaft locking • Open unit</b>   |             |   |                  |     |    |      |      |      |      |    |                     |      |         |              |                                |
| 25  | HCF 205 CL  | 680472L   | 70               | 98  | 11 | 22,5 | 16,8 | 40,2 | 49,5 | 52 | 50                  | 45   | Type D  | 0,44         | 681972                         |
| 25*   | SHCF 205 CL | 603073L   | 83               | 110 | 11 | 26   | 19,3 | 42,7 | 54   | 52 | 50                  | 45   | Type D  | 0,57         | 681972                         |
| 30  | HCF 206 CL  | 621481L   | 83               | 110 | 11 | 26   | 20   | 46,7 | 56   | 62 | 60                  | 50   | Type D  | 0,63         | 69965                          |
| 35  | HCF 207 CL  | 680482L   | 92               | 120 | 11 | 26   | 19,5 | 48,9 | 59   | 72 | 70                  | 55   | Type D  | 0,90         | 682032                         |
| 40*   | SHCF 208 CL | 62449L  | 83               | 110 | 11 | 26   | 19   | 51,7 | 66   | 80 | 78                  | 65   | Type D  | 1,07         | 600892                         |

Item code for order = B0000 + Code

\* = Version with special fixing holes.

Packaging: 6 pieces.

Best Seller

Standard

On request

# Square flange bearing units

UCF - SUCF - HCF - SHCF



Accessories

## Material

### PA FV polyamide housing

- Housing in reinforced polyamide PA FV resin (black)
- Ball type nickel plated brass greasing nipple
- Reinforcing bushings on mounting holes and washers in stainless steel AISI 304.

### PP FV polypropylene housing

- Housing in reinforced polypropylene PP FV resin (white)
- Bearing in stainless steel AISI 420
- Ball type stainless steel AISI 316 greasing nipple
- Reinforcing bushings on mounting holes and washers in stainless steel AISI 316.

## Continuous operating temperature

in air: - 20 to + 60°C.

## Maximum allowed misalignment: 2°.

## Bearing

- Type B (grub screws shaft locking, chrome alloy steel, Superagriseal unit plus centrifuging ring)
- Type C (grub screws shaft locking, stainless steel AISI 420, Superagriseal unit plus rubberised centrifuging ring)
- Type A (grub screws shaft locking, chrome alloy steel, Superagriseal unit)
- Type D (eccentric collar shaft locking, chrome alloy steel, Superagriseal unit)
- Prelubricated with lithium / calcium grease
- Can be relubricated.

## Grub screws or eccentric collar shaft locking

### Version with bearing Type B

The double ring guarantees maximum protection against dust and non-corrosive substances.

### Version with stainless steel bearing Type C

AISI 420 stainless steel bearing with 2 rubberised rings, provides excellent seal against humidity, steams, liquids, medium corrosive chemical agents. Maximum load ability is inferior.

### Version with bearing Type A

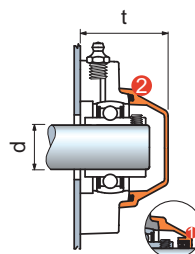
The rubberised ring guarantees maximum protection against dusts.

## Material

Polyamide PA FV guarantees maximum strength and high-temperature resistance. Polypropylene PP FV offers excellent resistance to chemical agents but inferior load ability.

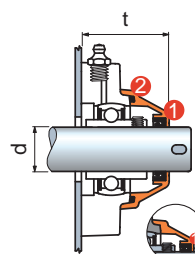
## Protection covers (accessories)

### Closed cover



Dia 45/50 supplied without o-ring

### Open cover



Dia 45/50 supplied without o-ring

① Seals.

② Seals O-Ring.

| dia.<br>d<br>mm                         | Accessories<br>Cover<br>orange | t<br>mm |
|---|--------------------------------|---------|
|   | Code                           |         |
| <b>Closed cover supplied with seals</b> |                                |         |
| 25                                      | 681952                         | 49,5    |
| 25*                                     | 681952                         | 54      |
| 30                                      | 63154                          | 56      |
| 35                                      | 682022                         | 59      |
| 35* Standard                            | 63154                          | 54,6    |
| 35* Solid                               | 63539                          | 61      |
| 40                                      | 63539                          | 65,5    |
| 40*                                     | 600882                         | 66      |
| 45*                                     | 686972                         | 73      |
| 50*                                     | 686972                         | 73      |
| <b>Open cover supplied with seals</b>   |                                |         |
| 25                                      | 681972                         | 49,5    |
| 25*                                     | 681972                         | 54      |
| 30                                      | 69965                          | 56      |
| 35                                      | 682032                         | 59      |
| 35* Standard                            | -                              | -       |
| 35* Solid                               | 615692                         | 61      |
| 40                                      | 63549                          | 65,5    |
| 40*                                     | 600892                         | 66      |
| 45*                                     | 686992                         | 73      |
| 50*                                     | 687002                         | 73      |

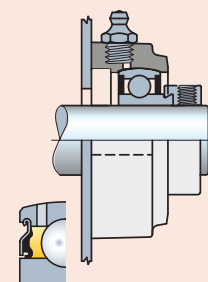
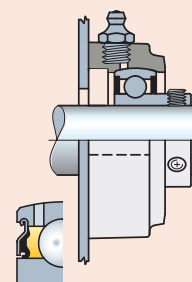
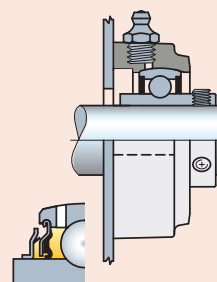
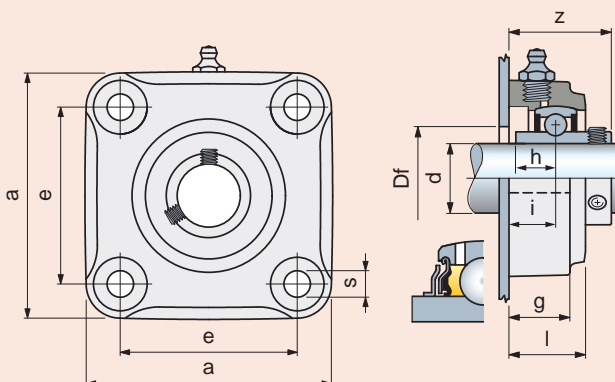
\* = Version with special fixing holes.

• Series UCF • Type B  
Grub screws shaft locking

• Series UCF • Type C  
Grub screws shaft locking

• Series UCF • Type A  
Grub screws shaft locking

• Series HCF • Type D  
Eccentric collar shaft locking



| dia.<br>d<br>mm  | Series   | Housing material                                 |   | Dimensions in mm |     |    |      |       |      |      |      |    | Bore in<br>frame<br>Df<br>mm | Bearing | Weight<br>Kg |
|--|----------|--|---|------------------|-----|----|------|-------|------|------|------|----|------------------------------|---------|--------------|
|  |          | Polyamide<br>PA FV<br>Standard Flange<br>(black) | Polypropylene<br>PP FV<br>Solid Flange<br>(white) | e                | a   | s  | g    | i     | h    | l    | z    |    |                              |         |              |
|  |          | Code   | Code  |                  |     |    |      |       |      |      |      |    |                              |         |              |
| <b>Grub screws shaft locking • Version with bearing Type B</b>                 |          |  |   |                  |     |    |      |       |      |      |      |    |                              |         |              |
| 25   | UCF 205  | 64533  | -   | 70               | 98  | 11 | 22,5 | 16,8  | 14,3 | 27,5 | 36,5 | 29 | Type B                       | 0,44    |              |
| 25*  | SUCF 205 | 603163   | -   | 83               | 110 | 11 | 26   | 19,3  | 14,3 | 31,5 | 39   | 29 | Type B                       | 0,51    |              |
| 30   | UCF 206  | 60722  | -   | 83               | 110 | 11 | 26   | 20    | 15,9 | 32,5 | 42,2 | 34 | Type B                       | 0,57    |              |
| 35   | UCF 207  | 64058  | -   | 92               | 120 | 11 | 26   | 19,5  | 17,5 | 32   | 44,9 | 39 | Type B                       | 0,72    |              |
| 35*  | SUCF 207 | 68465  | -   | 83               | 110 | 11 | 26   | 15,5  | 17,5 | 31,5 | 40,9 | 50 | Type B                       | 0,65    |              |
| 40   | UCF 208  | 68956  | -   | 102              | 131 | 11 | 30   | 22    | 19   | 36   | 52,2 | 44 | Type B                       | 0,95    |              |
| 40*  | SUCF 208 | 61719  | -   | 83               | 110 | 11 | 26   | 19    | 19   | 36   | 49,2 | 55 | Type B                       | 0,88    |              |
| 45*  | SUCF 209 | 689232   | -   | 102              | 131 | 11 | 30   | 23    | 19   | 38   | 53,2 | 49 | Type B                       | 0,95    |              |
| 50*  | SUCF 210 | 689242   | -   | 102              | 131 | 11 | 30   | 23    | 19   | 38   | 55,6 | 54 | Type B                       | 0,88    |              |
| <b>Grub screws shaft locking • Version with stainless steel bearing Type C</b> |          |  |   |                  |     |    |      |       |      |      |      |    |                              |         |              |
| 25   | UCF 205  | 646592   | 681642  | 70               | 98  | 11 | 22,5 | 16,8  | 14,3 | 27,5 | 36,6 | 29 | Type C                       | 0,44    |              |
| 30   | UCF 206  | 646602   | 681652  | 83               | 110 | 11 | 26   | 20    | 15,9 | 32,5 | 42,2 | 34 | Type C                       | 0,57    |              |
| 35   | UCF 207  | 646612   | 681662  | 92               | 120 | 11 | 26   | 19,5  | 17,5 | 32   | 44,9 | 39 | Type C                       | 0,72    |              |
| 35*  | SUCF 207 | 646622   | 681672  | 83               | 110 | 11 | 26   | 15,5* | 17,5 | 31,5 | 40,9 | 50 | Type C                       | 0,65    |              |
| 40   | UCF 208  | 646632   | 681682  | 102              | 131 | 11 | 30   | 22    | 19   | 36   | 52,2 | 44 | Type C                       | 0,95    |              |
| 40*  | SUCF 208 | 646642   | 681692  | 83               | 110 | 11 | 26   | 19    | 19   | 36   | 49,2 | 55 | Type C                       | 0,88    |              |
| <b>Grub screws shaft locking • Version with bearing Type A</b>                 |          |  |   |                  |     |    |      |       |      |      |      |    |                              |         |              |
| 25   | UCF 205  | 656752   | 681282  | 70               | 98  | 11 | 22,5 | 16,8  | -    | 27,5 | 36,3 | 29 | Type A                       | 0,39    |              |
| 25*  | SUCF 205 | 603143   | -   | 83               | 110 | 11 | 26   | 19,3  | -    | 31,5 | 38,8 | 29 | Type A                       | 0,48    |              |
| 30   | UCF 206  | 666442   | 681292  | 83               | 110 | 11 | 26   | 20    | -    | 32,5 | 42   | 34 | Type A                       | 0,54    |              |
| 35   | UCF 207  | 666452   | 681302  | 92               | 120 | 11 | 26   | 19,5  | -    | 32   | 43   | 39 | Type A                       | 0,69    |              |
| 35*  | SUCF 207 | 682062   | 681312  | 83               | 110 | 11 | 26   | 15,5* | -    | 31,5 | 39   | 39 | Type A                       | 0,62    |              |
| 40   | UCF 208  | 666462   | 681322  | 102              | 131 | 11 | 30   | 22    | -    | 36   | 47   | 44 | Type A                       | 0,92    |              |
| 40*  | SUCF 208 | 681552   | 681332  | 83               | 110 | 11 | 26   | 19    | -    | 36   | 44   | 44 | Type A                       | 0,85    |              |
| 45*  | SUCF 209 | 686852   | 686892  | 102              | 131 | 11 | 30   | 23    | -    | 38   | 54   | 49 | Type A                       | 0,87    |              |
| 50*  | SUCF 210 | 686862   | 686902  | 102              | 131 | 11 | 30   | 23    | -    | 38   | 55,6 | 54 | Type A                       | 1,04    |              |
| <b>Eccentric collar shaft locking • Version with bearing Type D</b>            |          |  |   |                  |     |    |      |       |      |      |      |    |                              |         |              |
| 25   | HCF 205  | 681562   | 681502  | 70               | 98  | 11 | 22,5 | 16,8  | -    | 27,5 | 40,2 | 29 | Type D                       | 0,43    |              |
| 25*  | SHCF 205 | 603153   | -   | 83               | 110 | 11 | 26   | 19,3  | -    | 31,5 | 42,7 | 29 | Type D                       | 0,55    |              |
| 30   | HCF 206  | 62329  | 681512  | 83               | 110 | 11 | 26   | 20    | -    | 32,5 | 46,7 | 34 | Type D                       | 0,61    |              |
| 35   | HCF 207  | 681572   | 681522  | 92               | 120 | 11 | 26   | 19,5  | -    | 32   | 48,9 | 39 | Type D                       | 0,87    |              |
| 35*  | SHCF 207 | 681392 <sup>1)</sup>                             | 681532  | 83               | 110 | 11 | 26   | 19,5  | -    | 31,5 | 48,9 | 39 | Type D                       | 0,82    |              |
| 40*  | SHCF 208 | 62349  | 681542  | 83               | 110 | 11 | 26   | 19    | -    | 36   | 51,7 | 44 | Type D                       | 1,04    |              |
| 45*  | SHCF 209 | 686912   | 686952  | 102              | 131 | 11 | 30   | 23    | -    | 38   | 55,7 | 49 | Type D                       | 0,87    |              |
| 50*  | SHCF 210 | 686922   | 686962  | 102              | 131 | 11 | 30   | 23    | -    | 38   | 55,7 | 54 | Type D                       | 1,04    |              |

Item code for order = B0000 + Code

\* = Version with special fixing holes.

<sup>1)</sup> = Solid flange.

• = Solid flange 19,5.

Packaging: 6 pieces.

● Best Seller

● Standard

● On request

# Square flange bearing units

UCFS/C - SUCFS/C - HCFS/C - SHCFS/C

- Austenitic stainless steel surface
- Waterproof housing
- Grub screws or eccentric collar shaft locking
- Solid flange
- Closed surface structure.



## Material

- Housing in reinforced polyamide PA FV resin (black)
- Austenitic stainless steel surface
- Protection cover in polypropylene PP (orange)
- Seal and O-Ring in NBR rubber (black)
- Ball type nickel plated brass greasing nipple.

## Continuous operating temperature

in air: - 20 to + 60°C.

## Maximum allowed misalignment: 2°.

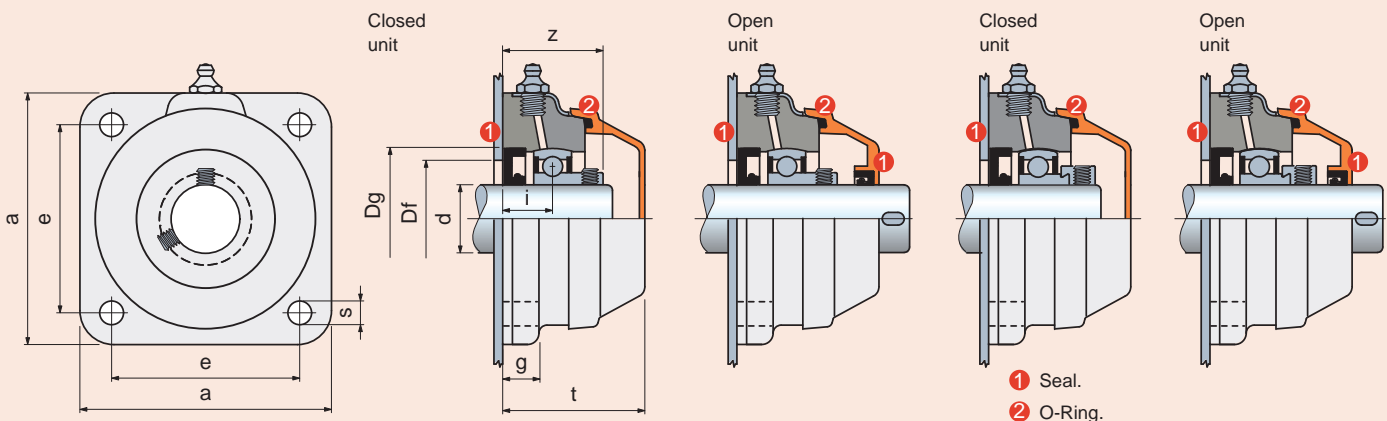
## Bearing



- Type A (grub screws shaft locking)
- Type D (eccentric collar shaft locking)
- Chrome alloy steel
- Superagriseal unit
- Prelubricated with lithium / calcium grease
- Can be relubricated.

### • Series UCFS/C • Type A Grub screws shaft locking

### • Series HCFS/C • Type D Eccentric collar shaft locking



## UCFS/C - SUCFS/C - HCFS/C - SHCFS/C

| dia.<br>d<br>mm                                     | Series      | Housing material   | Dimensions in mm |     |      |      |    |      |      |    |      |      | Bore in frame <sup>1)</sup><br>Df |      | Weight<br>Kg | Spare parts<br>Cover orange |  |
|---|-------------|--|------------------|-----|------|------|----|------|------|----|------|------|-----------------------------------|------|--------------|-----------------------------|--|
|   |             | Polyamide<br>PA FV with austenitic<br>stainless steel<br>surface<br>Solid Flange<br>Cover (orange) | e                | a   | s    | g    | i  | z    | t    | Dg | max. | min. | Bearing                           | Code |              |                             |  |
| <b>Grub screws shaft locking • Closed unit</b>      |             |  |                  |     |      |      |    |      |      |    |      |      |                                   |      |              |                             |  |
| 30  | UCFS 206 C  | 647613   | 83               | 111 | 10,5 | 15,9 | 22 | 44   | 65,8 | 62 | 60   | 50   | Type A                            | 0,73 | 63539        |                             |  |
| 35*   | SUCFS 207 C | 647623   | 83               | 111 | 10,5 | 15,9 | 22 | 45,5 | 65,8 | 72 | 70   | 55   | Type A                            | 0,84 | 63539        |                             |  |
| 40*   | SUCFS 208 C | 647633   | 83               | 111 | 10,5 | 15,9 | 22 | 47   | 65,8 | 80 | 78   | 65   | Type A                            | 0,94 | 63539        |                             |  |
| <b>Grub screws shaft locking • Open unit</b>        |             |  |                  |     |      |      |    |      |      |    |      |      |                                   |      |              |                             |  |
| 30  | UCFS 206 C  | 647643   | 83               | 111 | 10,5 | 15,9 | 22 | 44   | 65,8 | 62 | 60   | 50   | Type A                            | 0,73 | 615682       |                             |  |
| 35*   | SUCFS 207 C | 647653   | 83               | 111 | 10,5 | 15,9 | 22 | 45,5 | 65,8 | 72 | 70   | 55   | Type A                            | 0,84 | 615692       |                             |  |
| 40*   | SUCFS 208 C | 647663   | 83               | 111 | 10,5 | 15,9 | 22 | 47   | 65,8 | 80 | 78   | 65   | Type A                            | 0,94 | 63549        |                             |  |
| <b>Eccentric collar shaft locking • Closed unit</b> |             |  |                  |     |      |      |    |      |      |    |      |      |                                   |      |              |                             |  |
| 30  | HCFS 206 C  | 647673   | 83               | 111 | 10,5 | 15,9 | 22 | 48,7 | 65,8 | 62 | 60   | 50   | Type D                            | 0,80 | 63539        |                             |  |
| 35*   | SHCFS 207 C | 647683   | 83               | 111 | 10,5 | 15,9 | 22 | 51,4 | 65,8 | 72 | 70   | 55   | Type D                            | 0,90 | 63539        |                             |  |
| 40*   | SHCFS 208 C | 647693   | 83               | 111 | 10,5 | 15,9 | 19 | 51,7 | 65,8 | 80 | 78   | 65   | Type D                            | 1,00 | 63539        |                             |  |
| <b>Eccentric collar shaft locking • Open unit</b>   |             |  |                  |     |      |      |    |      |      |    |      |      |                                   |      |              |                             |  |
| 30  | HCFS 206 C  | 647703   | 83               | 111 | 10,5 | 15,9 | 22 | 48,7 | 65,8 | 62 | 60   | 50   | Type D                            | 0,80 | 615682       |                             |  |
| 35*   | SHCFS 207 C | 647713   | 83               | 111 | 10,5 | 15,9 | 22 | 51,4 | 65,8 | 72 | 70   | 55   | Type D                            | 0,90 | 615692       |                             |  |
| 40*   | SHCFS 208 C | 647723   | 83               | 111 | 10,5 | 15,9 | 19 | 51,7 | 65,8 | 80 | 78   | 65   | Type D                            | 1,00 | 63549        |                             |  |

Item code for order = B0000 + Code

\* = Version with special fixing holes.

<sup>1)</sup> = Dimensions Df max / Df min must be respected to ensure positive retention of the seals and to allow air bleeding during lubrication.

Packaging: 6 pieces.

● Best Seller

● Standard

● On request



# Square flange bearing units

F - SF



**Waterproof housing**

**Shaft shoulders locking**

High axial load capacity.

**PA FV polyamide housing**

High mechanical and heat resistance. Proof to dust, humidity, washouts, steam, average aggressive chemical agents.

**PP FV polypropylene housing**

Proof to highly aggressive chemical agents. Inferior loading ability.

## Material

### PA FV polyamide housing

- Housing in reinforced polyamide PA FV resin (black)
- Seal and O-Ring in NBR rubber (black)
- Ball type nickel plated brass greasing nipple
- Reinforcing bushings on mounting holes and washers in stainless steel AISI 304.

### PP FV polypropylene housing

- Housing in reinforced polypropylene PP FV resin (black)
- Seal and O-Ring in NBR rubber (black).  
On request supplied in Viton rubber (brown).  
Viton material offers high resistance to chemical agents.
- Ball type stainless steel AISI 316 greasing nipple
- Reinforcing bushings on mounting holes and washers in stainless steel AISI 316.

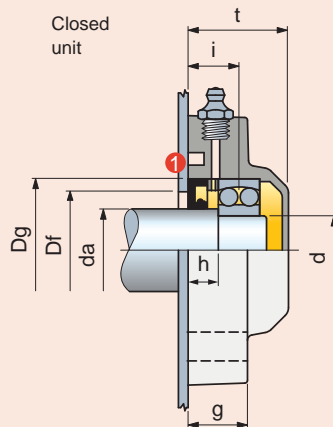
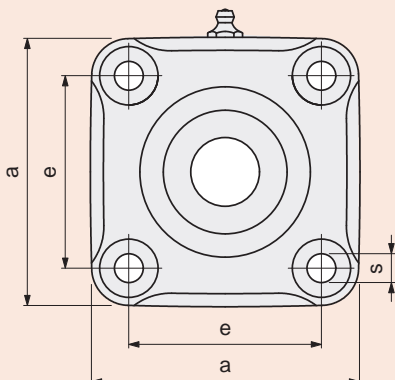
## Continuous operating temperature

in air: - 20 to + 60°C.

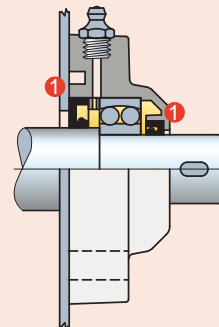
## Maximum allowed misalignment: 2°.

## Bearing

- Type 1200 self aligning ball bearing
- Chrome alloy steel
- Supplied without grease
- To be prelubricated with lithium / calcium grease during first installation.



Open unit



1 Seal.

| Shaft<br>dia.<br>da<br>mm | Bearing<br>dia.<br>d<br>mm | Series  | Housing material                                 |  | Dimensions in mm |     |    |      |      |      |      |    |      |      | Bore in<br>frame <sup>1)</sup><br>Df |      | Bearing | Weight<br>Kg |
|---------------------------|----------------------------|---------|--|--|------------------|-----|----|------|------|------|------|----|------|------|--------------------------------------|------|---------|--------------|
|                           |                            |         | Polyamide<br>PA FV<br>Standard Flange<br>(black) | Polypropylene<br>PP FV<br>Standard Flange<br>(black) | e                | a   | s  | g    | i    | h    | t    | Dg | max. | min. |                                      |      |         |              |
|                           |                            |         | Code   | Code   |                  |     |    |      |      |      |      |    |      |      |                                      |      |         |              |
| <b>Closed unit</b>        |                            |         |  |  |                  |     |    |      |      |      |      |    |      |      |                                      |      |         |              |
| 30                        | 25                         | F 1205  | 64433  | 681702   | 70               | 98  | 11 | 22,5 | 18,5 | 11   | 36,5 | 52 | 50   | 47   | Type 1200                            | 0,36 |         |              |
| 35                        | 30                         | F 1206  | 65811  | 681712   | 83               | 110 | 11 | 26   | 19   | 11   | 40   | 62 | 60   | 52   | Type 1200                            | 0,53 |         |              |
| 40                        | 35                         | F 1207  | 63978  | 681722   | 92               | 120 | 11 | 26   | 19,5 | 11   | 39,5 | 72 | 70   | 60   | Type 1200                            | 0,62 |         |              |
| 40*                       | 35*                        | SF 1207 | 699782   | 699802   | 83               | 110 | 11 | 26   | 19   | 10   | 39   | 72 | 70   | 60   | Type 1200                            | 0,60 |         |              |
| 45                        | 40                         | F 1208  | 68876  | 681732   | 102              | 131 | 11 | 30   | 24,5 | 15,5 | 45   | 80 | 78   | 65   | Type 1200                            | 0,85 |         |              |
| 45*                       | 40*                        | SF 1208 | 69988  | 681742   | 83               | 110 | 11 | 26   | 19   | 10   | 39   | 80 | 78   | 65   | Type 1200                            | 0,78 |         |              |
| <b>Open unit</b>          |                            |         |  |  |                  |     |    |      |      |      |      |    |      |      |                                      |      |         |              |
| 30                        | 25                         | F 1205  | 64483  | 681752   | 70               | 98  | 11 | 22,5 | 18,5 | 11   | 36,5 | 52 | 50   | 47   | Type 1200                            | 0,36 |         |              |
| 35                        | 30                         | F 1206  | 65901  | 681762   | 83               | 110 | 11 | 26   | 19   | 11   | 40   | 62 | 60   | 52   | Type 1200                            | 0,53 |         |              |
| 40                        | 35                         | F 1207  | 63988  | 681772   | 92               | 120 | 11 | 26   | 19,5 | 11   | 39,5 | 72 | 70   | 60   | Type 1200                            | 0,62 |         |              |
| 40*                       | 35*                        | SF 1207 | 699792   | 699812   | 83               | 110 | 11 | 26   | 19   | 10   | 39   | 72 | 70   | 60   | Type 1200                            | 0,60 |         |              |
| 45                        | 40                         | F 1208  | 68886  | 681782   | 102              | 131 | 11 | 30   | 24,5 | 15,5 | 45   | 80 | 78   | 65   | Type 1200                            | 0,85 |         |              |
| 45*                       | 40*                        | SF 1208 | 69998  | 681792   | 83               | 110 | 11 | 26   | 19   | 10   | 39   | 80 | 78   | 65   | Type 1200                            | 0,78 |         |              |

Item code for order = B0000 + Code

\* = Version with special fixing holes.

<sup>1)</sup> = Dimensions Df max / Df min must be respected to ensure positive retention of the seals and to allow air bleeding during lubrication.

Packaging: 6 pieces.

● Best Seller

● Standard

● On request

# Oval flange bearing units BALM

UCFX/T - SUCFX/T - HCFX/T - SHCFX/T



## Material

### PA FV polyamide housing

- Housing in reinforced polyamide PA FV resin (black)
- Protection cover in polypropylene PP (orange)
- Seal and O-Ring in NBR rubber (black)
- Ball type nickel plated brass greasing nipple
- Reinforcing bushings on mounting holes and washers in stainless steel AISI 304.

## Continuous operating temperature

in air: - 20 to + 60°C.

## Maximum allowed misalignment: 2°.

## Bearing



- Type A (grub screws shaft locking)
- Type D (eccentric collar shaft locking)
- Chrome alloy steel
- Superagriseal unit
- Prelubricated with lithium / calcium grease
- Can be relubricated.

## Waterproof housing

### Grub screws or eccentric collar shaft locking

### PA FV polyamide housing

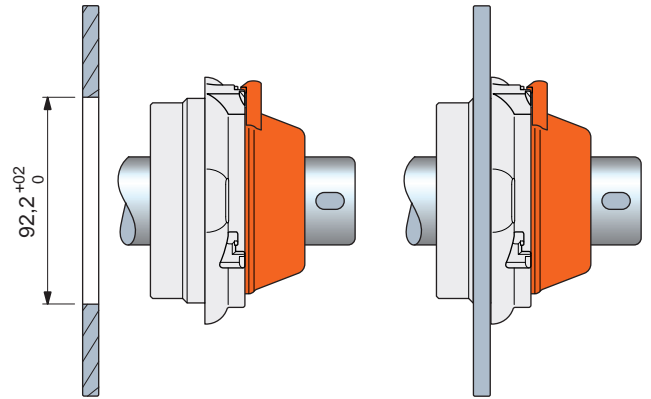
High mechanical and heat resistance. Proof to dust, humidity, washouts, steam, average aggressive chemical agents.

### Solid flange bearings

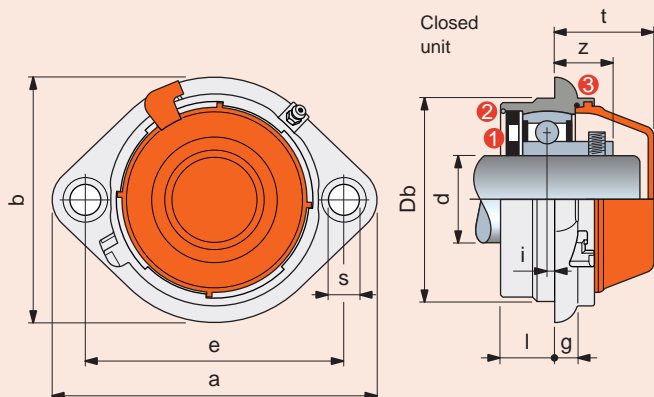
Closed surface structure, ideal for sanification.

**BALM** is the new generation of MB bearings that allows to standardize one universal solution in place of both square and oval versions, and moreover can simplify and reduce the cost of the conveyor structure in the drive area. **BALM** bearing is "self balanced", that means that bearing insert axis overlaps with the frame sheet axis: as a result torque and forces on the fixation screws are reduced and a smaller-cheaper frame to sustain the drive is possible. There is no need for multiple fixation points. Conveyor room requirement is significantly reduced. Cap coupling is waterproof: the new cap fixation concept enables an effective assembly disassembly and is safely secured.

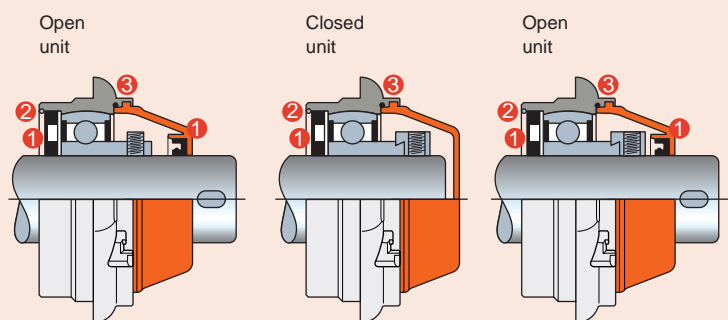
## Assembly



### • Series UCFX/T • Type A Grub screws shaft locking



### • Series HCFX/T • Type D Eccentric collar shaft locking



- 1 Seal.
- 2 Safety ring.
- 3 O-Ring.

## UCFX/T - SUCFX/T - HCFX/T - SHCFX/T

| dia.<br>d<br>mm                                     | Series      | Housing material   | Dimensions in mm |     |     |    |      |    |   |      |    |      |        | Db   | Bearing | Weight<br>Kg | Spare parts<br>Cover<br>orange |
|---|-------------|--|------------------|-----|-----|----|------|----|---|------|----|------|--------|------|---------|--------------|--------------------------------|
|   |             | Polyamide<br>PA FV<br>Solid Flange<br>(black)<br>Cover<br>(orange)<br>Code | e                | a   | b   | s  | g    | l  | i | z    | t  | Code |        |      |         |              |                                |
| <b>Grub screws shaft locking • Closed unit</b>      |             |  |                  |     |     |    |      |    |   |      |    |      |        |      |         |              |                                |
| 30  | UCFX 206 T  | 630323   | 117              | 147 | 111 | 11 | 10,7 | 25 | 2 | 20,5 | 45 | 92   | Type A | 0,50 | 630443  |              |                                |
| 35  | SUCFX 207 T | 630333   | 117              | 147 | 111 | 11 | 10,7 | 25 | 2 | 21,5 | 45 | 92   | Type A | 0,57 | 630443  |              |                                |
| 40  | SUCFX 208 T | 630343   | 117              | 147 | 111 | 11 | 10,7 | 25 | 2 | 22,5 | 45 | 92   | Type A | 0,69 | 630443  |              |                                |
| <b>Grub screws shaft locking • Open unit</b>        |             |  |                  |     |     |    |      |    |   |      |    |      |        |      |         |              |                                |
| 30  | UCFX 206 T  | 630353   | 117              | 147 | 111 | 11 | 10,7 | 25 | 2 | 20,5 | 45 | 92   | Type A | 0,50 | 630453  |              |                                |
| 35  | SUCFX 207 T | 630363   | 117              | 147 | 111 | 11 | 10,7 | 25 | 2 | 21,5 | 45 | 92   | Type A | 0,57 | 630463  |              |                                |
| 40  | SUCFX 208 T | 630373   | 117              | 147 | 111 | 11 | 10,7 | 25 | 2 | 22,5 | 45 | 92   | Type A | 0,69 | 630473  |              |                                |
| <b>Eccentric collar shaft locking • Closed unit</b> |             |  |                  |     |     |    |      |    |   |      |    |      |        |      |         |              |                                |
| 30  | HCFX 206 T  | 630383   | 117              | 147 | 111 | 11 | 10,7 | 25 | 2 | 25,2 | 45 | 92   | Type D | 0,58 | 630443  |              |                                |
| 35  | SHCFX 207 T | 630393   | 117              | 147 | 111 | 11 | 10,7 | 25 | 2 | 27,4 | 45 | 92   | Type D | 0,75 | 630443  |              |                                |
| 40  | SHCFX 208 T | 630403   | 117              | 147 | 111 | 11 | 10,7 | 25 | 2 | 30,2 | 45 | 92   | Type D | 0,88 | 630443  |              |                                |
| <b>Eccentric collar shaft locking • Open unit</b>   |             |  |                  |     |     |    |      |    |   |      |    |      |        |      |         |              |                                |
| 30  | HCFX 206 T  | 630413   | 117              | 147 | 111 | 11 | 10,7 | 25 | 2 | 25,2 | 45 | 92   | Type D | 0,58 | 630453  |              |                                |
| 35  | SHCFX 207 T | 630423   | 117              | 147 | 111 | 11 | 10,7 | 25 | 2 | 27,4 | 45 | 92   | Type D | 0,75 | 630463  |              |                                |
| 40  | SHCFX 208 T | 630433   | 117              | 147 | 111 | 11 | 10,7 | 25 | 2 | 30,2 | 45 | 92   | Type D | 0,88 | 630473  |              |                                |

Item code for order = B0000 + Code

Packaging: 6 pieces.

 Best Seller

 Standard

 On request

# Oval flange bearing units

UCFLN/C - SUCFLN/C - HCFLN/C - SHCFLN/C



## Waterproof housing

## Grub screws or eccentric collar shaft locking

## PA FV polyamide housing

High mechanical and heat resistance. Proof to dust, humidity, washouts, steam, average aggressive chemical agents.

## PP FV polypropylene housing

Proof to highly aggressive chemical agents. Inferior loading ability.

## Solid flange bearings

Closed surface structure, ideal for sanitation.

### Material

#### PA FV polyamide housing

- Housing in reinforced polyamide PA FV resin (black)
- Protection cover in polypropylene PP (orange)
- Seal and O-Ring in NBR rubber (black)
- Ball type nickel plated brass greasing nipple
- Reinforcing bushings on mounting holes and washers in stainless steel AISI 304

#### PP FV polypropylene housing

- Housing in reinforced polypropylene PP FV resin (white)
- Protection cover in polypropylene PP (orange)
- Seal and O-Ring in NBR rubber (black).  
On request supplied in Viton rubber (brown).  
Viton material offers high resistance to chemical agents
- Ball type stainless steel AISI 316 greasing nipple
- Reinforcing bushings on mounting holes and washers in stainless steel AISI 316.

### Continuous operating temperature

in air: - 20 to + 60°C.

### Maximum allowed misalignment: 2°.

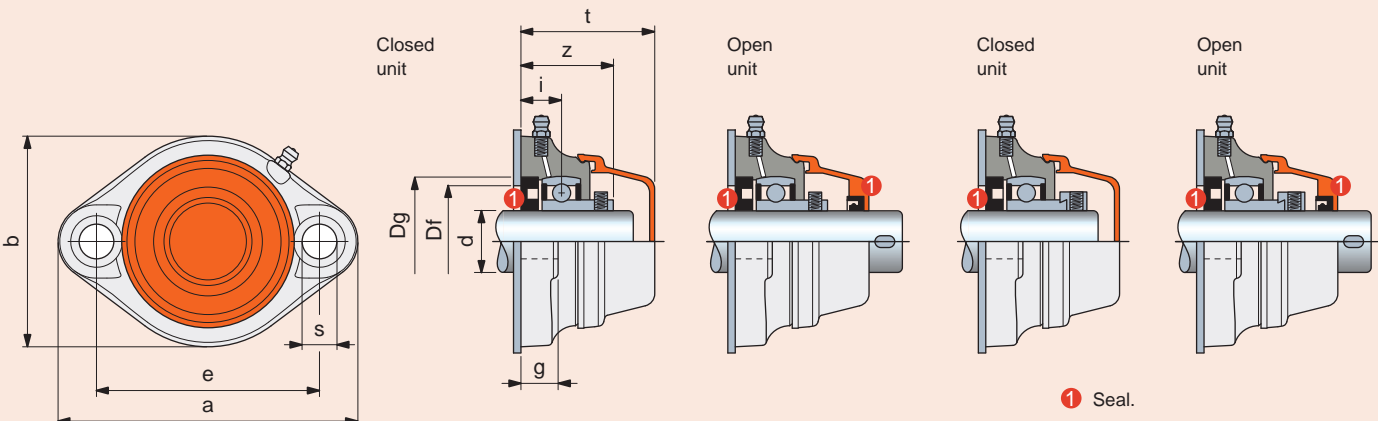
### Bearing



- Type A (grub screws shaft locking)
- Type D (eccentric collar shaft locking)
- Chrome alloy steel
- Superagriseal unit
- Prelubricated with lithium / calcium grease
- Can be relubricated.

### • Series UCFLN/C • Type A Grub screws shaft locking

### • Series HCFLN/C • Type D Eccentric collar shaft locking



1 Seal.

# UCFLN/C - SUCFLN/C - HCFLN/C - SHCFLN/C

| dia.<br>d<br>mm                                     | Series       | Housing material   |  | Dimensions in mm |     |    |    |    |      |      |    |    |      |      | Bore in frame <sup>1)</sup><br>Df |      | Bearing | Weight<br>Kg | Spare parts<br>Cover<br>orange |
|---|--------------|--|--|------------------|-----|----|----|----|------|------|----|----|------|------|-----------------------------------|------|---------|--------------|--------------------------------|
|   |              | Polyamide<br>PA FV<br>Solid Flange<br>(black)<br>Cover<br>(orange) | Polypropylene<br>PP FV<br>Solid Flange<br>(white)<br>Cover<br>(orange) | e                | a   | b  | s  | g  | i    | z    | t  | Dg | max. | min. | Code                              |      |         |              |                                |
|   |              | Code   | Code   |                  |     |    |    |    |      |      |    |    |      |      |                                   |      |         |              | Code                           |
| <b>Grub screws shaft locking • Closed unit</b>      |              |  |  |                  |     |    |    |    |      |      |    |    |      |      |                                   |      |         |              |                                |
| 17  | UCFLN 203 C  | 629663   | 629823   | 76,5             | 100 | 70 | 11 | 11 | 17,5 | 33,5 | 49 | 40 | 38   | 33   | Type A                            | 0,19 | 629903  |              |                                |
| 20*   | SUCFLN 204 C | 629673   | 629833   | 76,5             | 100 | 70 | 11 | 11 | 15,2 | 33,2 | 49 | 47 | 45   | 40   | Type A                            | 0,21 | 629903  |              |                                |
| 25*   | SUCFLN 205 C | 625923   | 626083   | 90               | 122 | 85 | 11 | 15 | 16,8 | 36,3 | 54 | 52 | 50   | 45   | Type A                            | 0,28 | 626203  |              |                                |
| 30  | UCFLN 206 C  | 633443   | 633523   | 117              | 149 | 85 | 11 | 15 | 20   | 42   | 55 | 62 | 60   | 50   | Type A                            | 0,37 | 63154   |              |                                |
| 30*   | SUCFLN 206 C | 625933   | 626093   | 90               | 122 | 85 | 11 | 15 | 15   | 37   | 54 | 62 | 60   | 50   | Type A                            | 0,37 | 626203  |              |                                |
| <b>Grub screws shaft locking • Open unit</b>        |              |  |  |                  |     |    |    |    |      |      |    |    |      |      |                                   |      |         |              |                                |
| 17  | UCFLN 203 C  | 629683   | 629843   | 76,5             | 100 | 70 | 11 | 11 | 17,5 | 33,5 | 49 | 40 | 38   | 33   | Type A                            | 0,19 | 629913  |              |                                |
| 20*   | SUCFLN 204 C | 629693   | 629853   | 76,5             | 100 | 70 | 11 | 11 | 15,2 | 33,2 | 49 | 47 | 45   | 40   | Type A                            | 0,21 | 629923  |              |                                |
| 25*   | SUCFLN 205 C | 625943   | 626103   | 90               | 122 | 85 | 11 | 15 | 16,8 | 36,3 | 54 | 52 | 50   | 45   | Type A                            | 0,28 | 626213  |              |                                |
| 30  | UCFLN 206 C  | 633453   | 633533   | 117              | 149 | 85 | 11 | 15 | 20   | 42   | 55 | 62 | 60   | 50   | Type A                            | 0,37 | 69965   |              |                                |
| 30*   | SUCFLN 206 C | 625953   | 626113   | 90               | 122 | 85 | 11 | 15 | 15   | 37   | 54 | 62 | 60   | 50   | Type A                            | 0,37 | 626223  |              |                                |
| <b>Eccentric collar shaft locking • Closed unit</b> |              |  |  |                  |     |    |    |    |      |      |    |    |      |      |                                   |      |         |              |                                |
| 17  | HCFLN 203 C  | 629703   | 629863   | 76,5             | 100 | 70 | 11 | 11 | 17,5 | 39,6 | 49 | 40 | 38   | 33   | Type D                            | 0,24 | 629903  |              |                                |
| 20*   | SHCFLN 204 C | 629713   | 629873   | 76,5             | 100 | 70 | 11 | 11 | 15,2 | 38,6 | 49 | 47 | 45   | 40   | Type D                            | 0,26 | 629903  |              |                                |
| 25*   | SHCFLN 205 C | 625963   | 626123   | 90               | 122 | 85 | 11 | 15 | 16,8 | 40,2 | 54 | 52 | 50   | 45   | Type D                            | 0,33 | 626203  |              |                                |
| 30  | HCFLN 206 C  | 633463   | 633543   | 117              | 149 | 85 | 11 | 15 | 20   | 46,7 | 55 | 62 | 60   | 50   | Type D                            | 0,42 | 63154   |              |                                |
| 30*   | SHCFLN 206 C | 625973   | 626133   | 90               | 122 | 85 | 11 | 15 | 15   | 41,7 | 54 | 62 | 60   | 50   | Type D                            | 0,42 | 626203  |              |                                |
| <b>Eccentric collar shaft locking • Open unit</b>   |              |  |  |                  |     |    |    |    |      |      |    |    |      |      |                                   |      |         |              |                                |
| 17  | HCFLN 203 C  | 629723   | 629883   | 76,5             | 100 | 70 | 11 | 11 | 17,5 | 39,6 | 49 | 40 | 38   | 33   | Type D                            | 0,24 | 629913  |              |                                |
| 20*   | SHCFLN 204 C | 629733   | 629893   | 76,5             | 100 | 70 | 11 | 11 | 15,2 | 38,6 | 49 | 47 | 45   | 40   | Type D                            | 0,26 | 629923  |              |                                |
| 25*   | SHCFLN 205 C | 625983   | 626143   | 90               | 122 | 85 | 11 | 15 | 16,8 | 40,2 | 54 | 52 | 50   | 45   | Type D                            | 0,33 | 626213  |              |                                |
| 30  | HCFLN 206 C  | 633473   | 633553   | 117              | 149 | 85 | 11 | 15 | 20   | 46,7 | 55 | 62 | 60   | 50   | Type D                            | 0,42 | 69965   |              |                                |
| 30*   | SHCFLN 206 C | 625993   | 626153   | 90               | 122 | 85 | 11 | 15 | 15   | 41,7 | 54 | 62 | 60   | 50   | Type D                            | 0,42 | 626223  |              |                                |

Item code for order = B0000 + Code

\* = Version with special fixing holes.

<sup>1)</sup> = Dimensions Df max / Df min must be respected to ensure positive retention of the seals and to allow air bleeding during lubrication.

Packaging: 6 pieces.

Best Seller

Standard

On request

# Oval flange bearing units

UCFLN/CL - SUCFLN/CL - HCFLN/CL - SHCFLN/CL



LIFE LUBRICATED



Dry use recommended



## Life lubricated

The ball-bearings are pre-lubricated with a special grease keeping the bearing for its whole life. No need for re-lubrication (see page B78 to calculate the grease life).

## Grub screws or eccentric collar shaft locking

### PA FV polyamide housing

High mechanical and heat resistance. Proof to dust, humidity, washouts, steam, average aggressive chemical agents.

### Solid flange bearings

Closed surface structure, ideal for sanitation.

## Material

### PA FV polyamide housing

- Housing in reinforced polyamide PA FV resin (black)
- Protection cover in polypropylene PP (orange)
- Seal and O-Ring in NBR rubber (black)
- Reinforcing bushings on mounting holes and washers in stainless steel AISI 304.

## Continuous operating temperature

in air: - 20 to + 60°C.

## Maximum allowed misalignment: 2°.

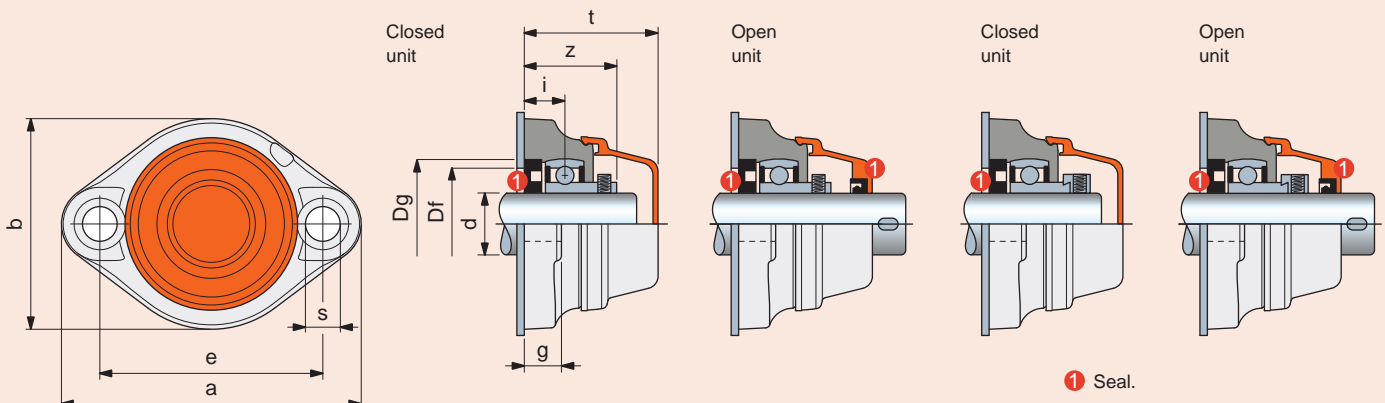
## Bearing



- Type A (grub screws shaft locking)
- Type D (eccentric collar shaft locking)
- Chrome alloy steel
- Superagriseal unit
- Prelubricated with lithium / calcium grease, no need for re-lubrication.

### • Series UCFLN/CL • Type A Grub screws shaft locking

### • Series HCFLN/CL • Type D Eccentric collar shaft locking



1 Seal.

## UCFLN/CL - SUCFLN/CL - HCFLN/CL - SHCFLN/CL

| dia.<br>d<br>mm                                     | Series        | Housing material   | Dimensions in mm |     |    |    |    |      |      |    |    | Bore in frame<br>Df |      | Bearing | Weight<br>Kg | Spare parts<br>Cover<br>orange |
|---|---------------|--|------------------|-----|----|----|----|------|------|----|----|---------------------|------|---------|--------------|--------------------------------|
|   |               | Polyamide<br>PA FV<br>Solid Flange<br>(black)<br>Cover<br>(orange) | e                | a   | b  | s  | g  | i    | z    | t  | Dg | max.                | min. |         |              | Code                           |
| <b>Grub screws shaft locking • Closed unit</b>      |               |  |                  |     |    |    |    |      |      |    |    |                     |      |         |              |                                |
| 17  | UCFLN 203 CL  | 629663L  | 76,5             | 100 | 70 | 11 | 11 | 17,5 | 33,5 | 49 | 40 | 38                  | 33   | Type A  | 0,19         | 629903                         |
| 20*   | SUCFLN 204 CL | 629673L  | 76,5             | 100 | 70 | 11 | 11 | 15,2 | 33,2 | 49 | 47 | 45                  | 40   | Type A  | 0,21         | 629903                         |
| 25*   | SUCFLN 205 CL | 625923L  | 90               | 122 | 85 | 11 | 15 | 16,8 | 36,3 | 54 | 52 | 50                  | 45   | Type A  | 0,28         | 626203                         |
| 30  | UCFLN 206 CL  | 633443L  | 117              | 149 | 85 | 11 | 15 | 20   | 42   | 55 | 62 | 60                  | 50   | Type A  | 0,37         | 63154                          |
| 30*   | SUCFLN 206 CL | 625933L  | 90               | 122 | 85 | 11 | 15 | 15   | 37   | 54 | 62 | 60                  | 50   | Type A  | 0,37         | 626203                         |
| <b>Grub screws shaft locking • Open unit</b>        |               |  |                  |     |    |    |    |      |      |    |    |                     |      |         |              |                                |
| 17  | UCFLN 203 CL  | 629683L  | 76,5             | 100 | 70 | 11 | 11 | 17,5 | 33,5 | 49 | 40 | 38                  | 33   | Type A  | 0,19         | 629913                         |
| 20*   | SUCFLN 204 CL | 629693L  | 76,5             | 100 | 70 | 11 | 11 | 15,2 | 33,2 | 49 | 47 | 45                  | 40   | Type A  | 0,21         | 629923                         |
| 25*   | SUCFLN 205 CL | 625943L  | 90               | 122 | 85 | 11 | 15 | 16,8 | 36,3 | 54 | 52 | 50                  | 45   | Type A  | 0,28         | 626213                         |
| 30  | UCFLN 206 CL  | 633453L  | 117              | 149 | 85 | 11 | 15 | 20   | 42   | 55 | 62 | 60                  | 50   | Type A  | 0,37         | 69965                          |
| 30*   | SUCFLN 206 CL | 625953L  | 90               | 122 | 85 | 11 | 15 | 15   | 37   | 54 | 62 | 60                  | 50   | Type A  | 0,37         | 626223                         |
| <b>Eccentric collar shaft locking • Closed unit</b> |               |  |                  |     |    |    |    |      |      |    |    |                     |      |         |              |                                |
| 17  | HCFLN 203 CL  | 629703L  | 76,5             | 100 | 70 | 11 | 11 | 17,5 | 39,6 | 49 | 40 | 38                  | 33   | Type D  | 0,24         | 629903                         |
| 20*   | SHCFLN 204 CL | 629713L  | 76,5             | 100 | 70 | 11 | 11 | 15,2 | 38,6 | 49 | 47 | 45                  | 40   | Type D  | 0,26         | 629903                         |
| 25*   | SHCFLN 205 CL | 625963L  | 90               | 122 | 85 | 11 | 15 | 16,8 | 40,2 | 54 | 52 | 50                  | 45   | Type D  | 0,33         | 626203                         |
| 30  | HCFLN 206 CL  | 633463L  | 117              | 149 | 85 | 11 | 15 | 20   | 46,7 | 55 | 62 | 60                  | 50   | Type D  | 0,42         | 63154                          |
| 30*   | SHCFLN 206 CL | 625973L  | 90               | 122 | 85 | 11 | 15 | 15   | 41,7 | 54 | 62 | 60                  | 50   | Type D  | 0,42         | 626203                         |
| <b>Eccentric collar shaft locking • Open unit</b>   |               |  |                  |     |    |    |    |      |      |    |    |                     |      |         |              |                                |
| 17  | HCFLN 203 CL  | 629723L  | 76,5             | 100 | 70 | 11 | 11 | 17,5 | 39,6 | 49 | 40 | 38                  | 33   | Type D  | 0,24         | 629913                         |
| 20*   | SHCFLN 204 CL | 629733L  | 76,5             | 100 | 70 | 11 | 11 | 15,2 | 38,6 | 49 | 47 | 45                  | 40   | Type D  | 0,26         | 629923                         |
| 25*   | SHCFLN 205 CL | 625983L  | 90               | 122 | 85 | 11 | 15 | 16,8 | 40,2 | 54 | 52 | 50                  | 45   | Type D  | 0,33         | 626213                         |
| 30  | HCFLN 206 CL  | 633473L  | 117              | 149 | 85 | 11 | 15 | 20   | 46,7 | 55 | 62 | 60                  | 50   | Type D  | 0,42         | 69965                          |
| 30*   | SHCFLN 206 CL | 625993L  | 90               | 122 | 85 | 11 | 15 | 15   | 41,7 | 54 | 62 | 60                  | 50   | Type D  | 0,42         | 626223                         |

Item code for order = B0000 + Code

\* = Version with special fixing holes.

Packaging: 6 pieces.

 Best Seller

 Standard

 On request



# Oval flange bearing units

UCFLN - SUCFLN - HCFLN - SHCFLN



Accessories

**Material**

**PA FV polyamide housing**

- Housing in reinforced polyamide PA FV resin (black)
- Ball type nickel plated brass greasing nipple
- Reinforcing bushings on mounting holes and washers in stainless steel AISI 304.

**PP FV polypropylene housing**

- Housing in reinforced polypropylene PP FV resin (white)
- Bearing in stainless steel AISI 420
- Ball type stainless steel AISI 316 greasing nipple
- Reinforcing bushings on mounting holes and washers in stainless steel AISI 316.

**Continuous operating temperature**

in air: - 20 to + 60°C.

**Maximum allowed misalignment: 2°.**

**Bearing**

- Type B (grub screws shaft locking, chrome alloy steel, Superagriseal unit plus centrifuging ring)
- Type C (grub screws shaft locking, stainless steel AISI 420, Superagriseal unit plus rubberised centrifuging ring)
- Type A (grub screws shaft locking, chrome alloy steel, Superagriseal unit)
- Type D (eccentric collar shaft locking, chrome alloy steel, Superagriseal unit)
- Prelubricated with lithium / calcium grease
- Can be relubricated.

**Grub screws or eccentric collar shaft locking**

**Version with bearing Type B**

The double ring guarantees maximum protection against dust and non-corrosive substances.

**Version with stainless steel bearing Type C**

AISI 420 stainless steel bearing with 2 rubberised rings, provides excellent seal against humidity, steams, liquids, medium corrosive chemical agents. Maximum load ability is inferior.

**Version with bearing Type A**

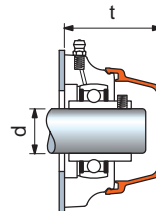
The rubberised ring guarantees maximum protection against dusts.

**Material**

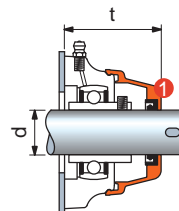
Polyamide PA FV guarantees maximum strength and high-temperature resistance. Polypropylene PP FV offers excellent resistance to chemical agents but inferior load ability.

**Protection covers (accessories)**

**Closed cover**



**Open cover**



| dia.<br>d<br>mm                       | Accessories<br>Cover<br>orange | t<br>mm |      |
|---------------------------------------|--------------------------------|---------|------|
|                                       | Code                           | UCFL    | HCFL |
| <b>Closed cover supplied</b>          |                                |         |      |
| 17                                    | 629903                         | 49      | 49   |
| 20*                                   | 629903                         | 49      | 49   |
| 25*                                   | 626203                         | 54      | 54   |
| 30                                    | 63154                          | 55      | 55   |
| 30*                                   | 626203                         | 54      | 54   |
| <b>Open cover supplied with seals</b> |                                |         |      |
| 17                                    | 629913                         | 49      | 49   |
| 20*                                   | 629923                         | 49      | 49   |
| 25*                                   | 626213                         | 54      | 54   |
| 30                                    | 69965                          | 55      | 55   |
| 30*                                   | 626223                         | 54      | 54   |

① Seals.

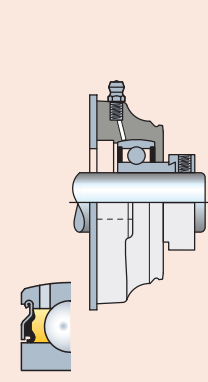
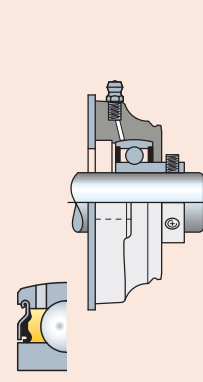
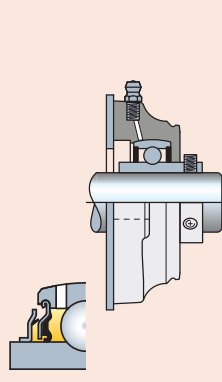
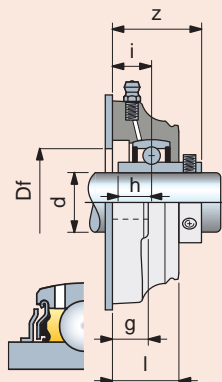
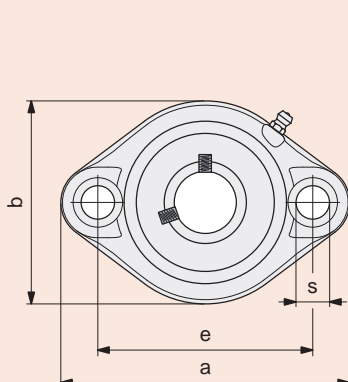
\* = Version with special fixing holes.

• Series UCFLN • Type B  
Grub screws shaft locking

• Series UCFLN • Type C  
Grub screws shaft locking

• Series UCFLN • Type A  
Grub screws shaft locking

• Series HCFLN • Type D  
Eccentric collar shaft locking



## UCFLN - SUCFLN - HCFLN - SHCFLN

| dia.<br>d<br>mm  | Series     | Housing material                              |   | Dimensions in mm |     |    |    |    |      |      |      |      |    | Bore in<br>frame<br>Df<br>mm | Bearing | Weight<br>Kg |
|--|------------|---|---|------------------|-----|----|----|----|------|------|------|------|----|------------------------------|---------|--------------|
|  |            | Polyamide<br>PA FV<br>Solid Flange<br>(black) | Polypropylene<br>PP FV<br>Solid Flange<br>(white) | e                | a   | b  | s  | g  | i    | h    | l    | z    |    |                              |         |              |
|  |            | Code  |   |                  |     |    |    |    |      |      |      |      |    |                              |         |              |
| <b>Grub screws shaft locking • Version with bearing Type B</b>                 |            |   |   |                  |     |    |    |    |      |      |      |      |    |                              |         |              |
| 17   | UCFLN 203  | <b>633563</b>                                 | -   | 76,5             | 100 | 70 | 11 | 11 | 17,5 | 11,5 | 25,5 | 33,4 | 21 | Type B                       | 0,13    |              |
| 20*  | SUCFLN 204 | <b>633573</b>                                 | -   | 76,5             | 100 | 70 | 11 | 11 | 15,2 | 12,7 | 25,5 | 33,5 | 24 | Type B                       | 0,15    |              |
| 25*  | SUCFLN 205 | <b>633583</b>                                 | -   | 90               | 122 | 85 | 11 | 15 | 16,8 | 14,3 | 28   | 36,5 | 29 | Type B                       | 0,20    |              |
| 30   | UCFLN 206  | <b>633593</b>                                 | -   | 117              | 149 | 85 | 11 | 15 | 20   | 15,9 | 32,5 | 42,2 | 34 | Type B                       | 0,29    |              |
| 30*  | SUCFLN 206 | <b>633603</b>                                 | -   | 90               | 122 | 85 | 11 | 15 | 15   | 15,9 | 28   | 37,2 | 45 | Type B                       | 0,29    |              |
| <b>Grub screws shaft locking • Version with stainless steel bearing Type C</b> |            |   |   |                  |     |    |    |    |      |      |      |      |    |                              |         |              |
| 20*  | SUCFLN 204 | <b>633613</b>                                 | <b>633893</b>                                     | 76,5             | 100 | 70 | 11 | 11 | 15,2 | 12,7 | 25,5 | 33,5 | 24 | Type C                       | 0,15    |              |
| 25*  | SUCFLN 205 | <b>633623</b>                                 | <b>633903</b>                                     | 90               | 122 | 85 | 11 | 15 | 16,8 | 14,3 | 28   | 36,6 | 29 | Type C                       | 0,20    |              |
| 30   | UCFLN 206  | <b>633633</b>                                 | <b>633913</b>                                     | 117              | 149 | 85 | 11 | 15 | 20   | 15,9 | 32,5 | 42,2 | 34 | Type C                       | 0,29    |              |
| 30*  | SUCFLN 206 | <b>633643</b>                                 | <b>633923</b>                                     | 90               | 122 | 85 | 11 | 15 | 15   | 15,9 | 28   | 37,2 | 45 | Type C                       | 0,29    |              |
| <b>Grub screws shaft locking • Version with bearing Type A</b>                 |            |   |   |                  |     |    |    |    |      |      |      |      |    |                              |         |              |
| 17   | UCFLN 203  | <b>633653</b>                                 | <b>633933</b>                                     | 76,5             | 100 | 70 | 11 | 11 | 17,5 | -    | 25,5 | 33,5 | 21 | Type A                       | 0,13    |              |
| 20*  | SUCFLN 204 | <b>633663</b>                                 | <b>633943</b>                                     | 76,5             | 100 | 70 | 11 | 11 | 15,2 | -    | 25,5 | 33,2 | 24 | Type A                       | 0,15    |              |
| 25*  | SUCFLN 205 | <b>633673</b>                                 | <b>633953</b>                                     | 90               | 122 | 85 | 11 | 15 | 16,8 | -    | 28   | 36,3 | 29 | Type A                       | 0,20    |              |
| 30   | UCFLN 206  | <b>633683</b>                                 | <b>633963</b>                                     | 117              | 149 | 85 | 11 | 15 | 20   | -    | 32,5 | 42   | 34 | Type A                       | 0,29    |              |
| 30*  | SUCFLN 206 | <b>633693</b>                                 | <b>633973</b>                                     | 90               | 122 | 85 | 11 | 15 | 15   | -    | 28   | 37   | 34 | Type A                       | 0,29    |              |
| <b>Eccentric collar shaft locking • Version with bearing Type D</b>            |            |   |   |                  |     |    |    |    |      |      |      |      |    |                              |         |              |
| 17   | HCFLN 203  | <b>633703</b>                                 | <b>633983</b>                                     | 76,5             | 100 | 70 | 11 | 11 | 17,5 | -    | 25,5 | 39,6 | 21 | Type D                       | 0,16    |              |
| 20*  | SHCFLN 204 | <b>633713</b>                                 | <b>633993</b>                                     | 76,5             | 100 | 70 | 11 | 11 | 15,2 | -    | 25,5 | 38,6 | 24 | Type D                       | 0,18    |              |
| 25*  | SHCFLN 205 | <b>633723</b>                                 | <b>634003</b>                                     | 90               | 122 | 85 | 11 | 15 | 16,8 | -    | 28   | 40,2 | 29 | Type D                       | 0,25    |              |
| 30   | HCFLN 206  | <b>633733</b>                                 | <b>634013</b>                                     | 117              | 149 | 85 | 11 | 15 | 20   | -    | 32,5 | 46,7 | 34 | Type D                       | 0,34    |              |
| 30*  | SHCFLN 206 | <b>633743</b>                                 | <b>634023</b>                                     | 90               | 122 | 85 | 11 | 15 | 15   | -    | 28   | 41,7 | 34 | Type D                       | 0,34    |              |

Item code for order = B0000 + Code

\* = Version with special fixing holes.

Packaging: 6 pieces.

 Best Seller

 Standard

 On request

# Oval flange bearing units

UCFL/C - SUCFL/C - HCFL/C - SHCFL/C



## Waterproof housing

### Grub screws or eccentric collar shaft locking

#### PA FV polyamide housing

High mechanical and heat resistance. Proof to dust, humidity, washouts, steam, average aggressive chemical agents.

#### PP FV polypropylene housing

Proof to highly aggressive chemical agents. Inferior loading ability.

#### Solid flange bearings

They differ from standard flange versions for their closed surface structure, ideal for sanitation.

## Material

### PA FV polyamide housing

- Housing in reinforced polyamide PA FV resin (black)
- Protection cover in polypropylene PP (orange)
- Seal and O-Ring in NBR rubber (black)
- Ball type nickel plated brass greasing nipple
- Reinforcing bushings on mounting holes and washers in stainless steel AISI 304

### PP FV polypropylene housing

- Housing in reinforced polypropylene PP FV resin (white)
- Protection cover in polypropylene PP (orange)
- Seal and O-Ring in NBR rubber (black).  
On request supplied in Viton rubber (brown).  
Viton material offers high resistance to chemical agents
- Ball type stainless steel AISI 316 greasing nipple
- Reinforcing bushings on mounting holes and washers in stainless steel AISI 316.

## Continuous operating temperature

in air: - 20 to + 60°C.

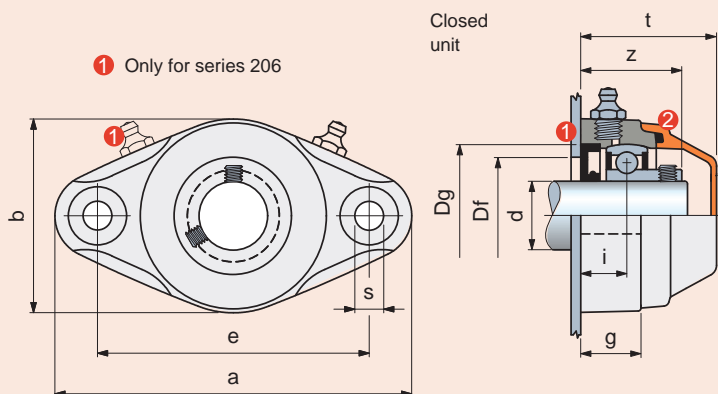
## Maximum allowed misalignment: 2°.

## Bearing

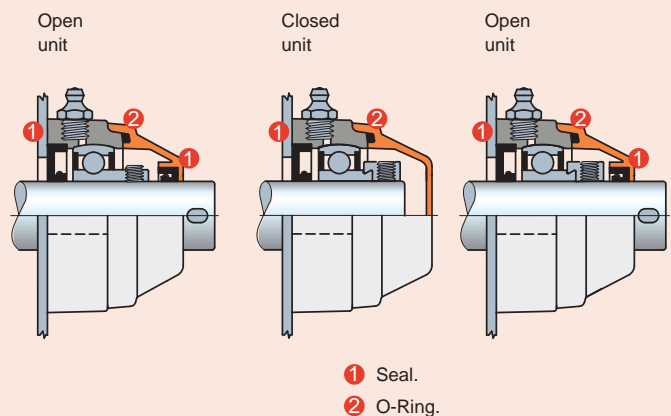


- Type A (grub screws shaft locking)
- Type D (eccentric collar shaft locking)
- Chrome alloy steel
- Superagriseal unit
- Prelubricated with lithium / calcium grease
- Can be relubricated.

### • Series UCFL/C • Type A Grub screws shaft locking



### • Series HCFL/C • Type D Eccentric collar shaft locking



# UCFL/C - SUCFL/C - HCFL/C - SHCFL/C

| dia.<br>d<br>mm                                     | Series      | Housing material  |  | Dimensions in mm |     |     |    |      |      |      |      |    |      | Bore in frame <sup>2)</sup><br>Df |        | Bearing | Weight<br>Kg | Spare parts<br>Cover<br>orange<br><br>Code |
|---|-------------|---|--|------------------|-----|-----|----|------|------|------|------|----|------|-----------------------------------|--------|---------|--------------|--|
|   |             | Polyamide<br>PA FV<br>Standard Flange<br>(black)<br>Cover<br>(orange) | Polypropylene<br>PP FV<br>Solid Flange<br>(white)<br>Cover<br>(orange) | e                | a   | b   | s  | g    | i    | z    | t    | Dg | max. | min.                              |        |         |              |  |
|   |             | Code  |  |                  |     |     |    |      |      |      |      |    |      |                                   |        |         |              |  |
| <b>Grub screws shaft locking • Closed unit</b>      |             |   |  |                  |     |     |    |      |      |      |      |    |      |                                   |        |         |              |  |
| 17*   | SUCFL 203 C | <b>603763</b>   | <b>603803</b>  | 90               | 116 | 62  | 11 | 20   | 15,2 | 31,2 | 46   | 40 | 38   | 33                                | Type A | 0,22    | 681942       |  |
| 20  | UCFL 204 C  | <b>69016</b>  | <b>679652</b>  | 90               | 116 | 62  | 11 | 20   | 15,2 | 33,2 | 46   | 47 | 45   | 40                                | Type A | 0,25    | 681942       |  |
| 25  | UCFL 205 C  | <b>68523</b>  | <b>679662</b>  | 99               | 130 | 71  | 11 | 22,5 | 16,8 | 36,3 | 49,5 | 52 | 50   | 45                                | Type A | 0,33    | 681952       |  |
| 25*   | SUCFL 205 C | <b>687562<sup>1)</sup></b>  | <b>687722</b>  | 90               | 130 | 71  | 11 | 22,5 | 16,8 | 36,3 | 49,5 | 52 | 50   | 45                                | Type A | 0,33    | 681952       |  |
| 30  | UCFL 206 C  | <b>68399</b>  | <b>679672</b>  | 117              | 148 | 85  | 11 | 26   | 20   | 42   | 56   | 62 | 60   | 50                                | Type A | 0,42    | 63154        |  |
| 30*   | SUCFL 206 C | <b>687572<sup>1)</sup></b>  | <b>687732</b>  | 99               | 148 | 85  | 11 | 26   | 20   | 42   | 56   | 62 | 60   | 50                                | Type A | 0,42    | 63154        |  |
| 35  | UCFL 207 C  | <b>648131</b>   | <b>679682</b>  | 130              | 162 | 93  | 11 | 26   | 19,5 | 43   | 59   | 72 | 70   | 55                                | Type A | 0,65    | 682022       |  |
| 35*   | SUCFL 207 C | <b>697702<sup>1)</sup></b>  | <b>697862</b>  | 117              | 148 | 112 | 11 | 26   | 19,5 | 43   | 62   | 72 | 70   | 55                                | Type A | 0,70    | 63539        |  |
| 40  | UCFL 208 C  | <b>672411</b>   | <b>679692</b>  | 144              | 176 | 102 | 11 | 30   | 22   | 47   | 65,5 | 80 | 78   | 65                                | Type A | 0,90    | 63539        |  |
| 40*   | SUCFL 208 C | <b>697712<sup>1)</sup></b>  | <b>697872</b>  | 117              | 148 | 112 | 11 | 26   | 19   | 44   | 62   | 80 | 78   | 65                                | Type A | 0,74    | 63539        |  |
| <b>Grub screws shaft locking • Open unit</b>        |             |   |  |                  |     |     |    |      |      |      |      |    |      |                                   |        |         |              |  |
| 17*   | SUCFL 203 C | <b>603813</b>   | <b>603853</b>  | 90               | 116 | 62  | 11 | 20   | 15,2 | 31,2 | 46   | 40 | 38   | 33                                | Type A | 0,22    | 696162       |  |
| 20  | UCFL 204 C  | <b>69026</b>  | <b>679702</b>  | 90               | 116 | 62  | 11 | 20   | 15,2 | 33,2 | 46   | 47 | 45   | 40                                | Type A | 0,25    | 681962       |  |
| 25  | UCFL 205 C  | <b>68533</b>  | <b>679712</b>  | 99               | 130 | 71  | 11 | 22,5 | 16,8 | 36,3 | 49,5 | 52 | 50   | 45                                | Type A | 0,33    | 681972       |  |
| 25*   | SUCFL 205 C | <b>687582<sup>1)</sup></b>  | <b>687742</b>  | 90               | 130 | 71  | 11 | 22,5 | 16,8 | 36,3 | 49,5 | 52 | 50   | 45                                | Type A | 0,33    | 681972       |  |
| 30  | UCFL 206 C  | <b>68409</b>  | <b>679722</b>  | 117              | 148 | 85  | 11 | 26   | 20   | 42   | 56   | 62 | 60   | 50                                | Type A | 0,42    | 69965        |  |
| 30*   | SUCFL 206 C | <b>687592<sup>1)</sup></b>  | <b>687752</b>  | 99               | 148 | 85  | 11 | 26   | 20   | 42   | 56   | 62 | 60   | 50                                | Type A | 0,42    | 69965        |  |
| 35  | UCFL 207 C  | <b>648141</b>   | <b>679732</b>  | 130              | 162 | 93  | 11 | 26   | 19,5 | 43   | 59   | 72 | 70   | 55                                | Type A | 0,65    | 682032       |  |
| 35*   | SUCFL 207 C | <b>697722<sup>1)</sup></b>  | <b>697882</b>  | 117              | 148 | 112 | 11 | 26   | 19,5 | 43   | 62   | 72 | 70   | 55                                | Type A | 0,70    | 615692       |  |
| 40  | UCFL 208 C  | <b>672421</b>   | <b>679742</b>  | 144              | 176 | 102 | 11 | 30   | 22   | 47   | 65,5 | 80 | 78   | 65                                | Type A | 0,90    | 63549        |  |
| 40*   | SUCFL 208 C | <b>697732<sup>1)</sup></b>  | <b>697892</b>  | 117              | 148 | 112 | 11 | 26   | 19   | 44   | 62   | 80 | 78   | 65                                | Type A | 0,74    | 63549        |  |
| <b>Eccentric collar shaft locking • Closed unit</b> |             |   |  |                  |     |     |    |      |      |      |      |    |      |                                   |        |         |              |  |
| 17*   | SHCFL 203 C | <b>603863</b>   | <b>603903</b>  | 90               | 116 | 62  | 11 | 20   | 15,2 | 37,3 | 49   | 40 | 38   | 33                                | Type D | 0,27    | 681942       |  |
| 20  | HCFL 204 C  | <b>679052</b>   | <b>679752</b>  | 90               | 116 | 62  | 11 | 20   | 15,2 | 38,6 | 49   | 47 | 45   | 40                                | Type D | 0,30    | 681942       |  |
| 25  | HCFL 205 C  | <b>679062</b>   | <b>679762</b>  | 99               | 130 | 71  | 11 | 22,5 | 16,8 | 40,2 | 49,5 | 52 | 50   | 45                                | Type D | 0,37    | 681952       |  |
| 25*   | SHCFL 205 C | <b>687602<sup>1)</sup></b>  | <b>687762</b>  | 90               | 130 | 71  | 11 | 22,5 | 16,8 | 40,2 | 49,5 | 52 | 50   | 45                                | Type D | 0,37    | 681952       |  |
| 30  | HCFL 206 C  | <b>679072</b>   | <b>679772</b>  | 117              | 148 | 85  | 11 | 26   | 20   | 46,7 | 56   | 62 | 60   | 50                                | Type D | 0,49    | 63154        |  |
| 30*   | SHCFL 206 C | <b>687612<sup>1)</sup></b>  | <b>687772</b>  | 99               | 148 | 85  | 11 | 26   | 20   | 46,7 | 56   | 62 | 60   | 50                                | Type D | 0,49    | 63154        |  |
| 35  | HCFL 207 C  | <b>679082</b>   | <b>679782</b>  | 130              | 162 | 93  | 11 | 26   | 19,5 | 48,9 | 59   | 72 | 70   | 55                                | Type D | 0,83    | 682022       |  |
| 35*   | SHCFL 207 C | <b>697742<sup>1)</sup></b>  | <b>697902</b>  | 117              | 148 | 112 | 11 | 26   | 19,5 | 48,9 | 62   | 72 | 70   | 55                                | Type D | 0,88    | 63539        |  |
| 40  | HCLF 208 C  | <b>679092</b>   | <b>679792</b>  | 144              | 176 | 102 | 11 | 30   | 22   | 54,7 | 71   | 80 | 78   | 65                                | Type D | 1,09    | 600882       |  |
| 40*   | SHCFL 208 C | <b>697752<sup>1)</sup></b>  | <b>697912</b>  | 117              | 148 | 112 | 11 | 26   | 19   | 51,7 | 68   | 80 | 78   | 65                                | Type D | 0,93    | 600882       |  |
| <b>Eccentric collar shaft locking • Open unit</b>   |             |   |  |                  |     |     |    |      |      |      |      |    |      |                                   |        |         |              |  |
| 17*   | SHCFL 203 C | <b>603913</b>   | <b>603953</b>  | 90               | 116 | 62  | 11 | 20   | 15,2 | 37,3 | 49   | 40 | 38   | 33                                | Type D | 0,27    | 696162       |  |
| 20  | HCFL 204 C  | <b>679102</b>   | <b>679802</b>  | 90               | 116 | 62  | 11 | 20   | 15,2 | 38,6 | 49   | 47 | 45   | 40                                | Type D | 0,30    | 681962       |  |
| 25  | HCFL 205 C  | <b>679112</b>   | <b>679812</b>  | 99               | 130 | 71  | 11 | 22,5 | 16,8 | 40,2 | 49,5 | 52 | 50   | 45                                | Type D | 0,37    | 681972       |  |
| 25*   | SHCFL 205 C | <b>687622<sup>1)</sup></b>  | <b>687782</b>  | 90               | 130 | 71  | 11 | 22,5 | 16,8 | 40,2 | 49,5 | 52 | 50   | 45                                | Type D | 0,37    | 681972       |  |
| 30  | HCFL 206 C  | <b>679122</b>   | <b>679822</b>  | 117              | 148 | 85  | 11 | 26   | 20   | 46,7 | 56   | 62 | 60   | 50                                | Type D | 0,49    | 69965        |  |
| 30*   | SHCFL 206 C | <b>687632<sup>1)</sup></b>  | <b>687792</b>  | 99               | 148 | 85  | 11 | 26   | 20   | 46,7 | 56   | 62 | 60   | 50                                | Type D | 0,49    | 69965        |  |
| 35  | HCFL 207 C  | <b>679132</b>   | <b>679832</b>  | 130              | 162 | 93  | 11 | 26   | 19,5 | 48,9 | 59   | 72 | 70   | 55                                | Type D | 0,83    | 682032       |  |
| 35*   | SHCFL 207 C | <b>697762<sup>1)</sup></b>  | <b>697922</b>  | 117              | 148 | 112 | 11 | 26   | 19,5 | 48,9 | 62   | 72 | 70   | 55                                | Type D | 0,88    | 615692       |  |
| 40  | HCFL 208 C  | <b>679142</b>   | <b>679842</b>  | 144              | 176 | 102 | 11 | 30   | 22   | 54,7 | 71   | 80 | 78   | 65                                | Type D | 1,09    | 600892       |  |
| 40*   | SHCFL 208 C | <b>697772</b>   | <b>697932</b>  | 117              | 148 | 112 | 11 | 26   | 19   | 51,7 | 68   | 80 | 78   | 65                                | Type D | 0,93    | 600892       |  |

Item code for order = B0000 + Code

\* = Version with special fixing holes.

SUCFL206C/SHCFL206C: Assembly with cylindrical head screws.

<sup>1)</sup> = Solid flange.

<sup>2)</sup> = Dimensions Df max / Df min must be respected to ensure positive retention of the seals and to allow air bleeding during lubrication.

Packaging: 6 pieces.

Best Seller

Standard

On request

# Oval flange bearing units

UCFL/CL - SUCFL/CL - HCFL/CL - SHCFL/CL

LIFE LUBRICATED



Dry use recommended



## Life lubricated

The ball-bearings are pre-lubricated with a special grease keeping the bearing for its whole life. No need for re-lubrication (see page B78 to calculate the grease life)

## Grub screws or eccentric collar shaft locking

### PA FV polyamide housing

High mechanical and heat resistance. Proof to dust, humidity, washouts, steam, average aggressive chemical agents.

### Solid flange bearings

They differ from standard flange versions for their closed surface structure, ideal for sanitation.

## Material

### PA FV polyamide housing

- Housing in reinforced polyamide PA FV resin (black)
- Protection cover in polypropylene PP (orange)
- Seal and O-Ring in NBR rubber (black)
- Reinforcing bushings on mounting holes and washers in stainless steel AISI 304.

## Continuous operating temperature

in air: - 20 to + 60°C.

## Maximum allowed misalignment: 2°.

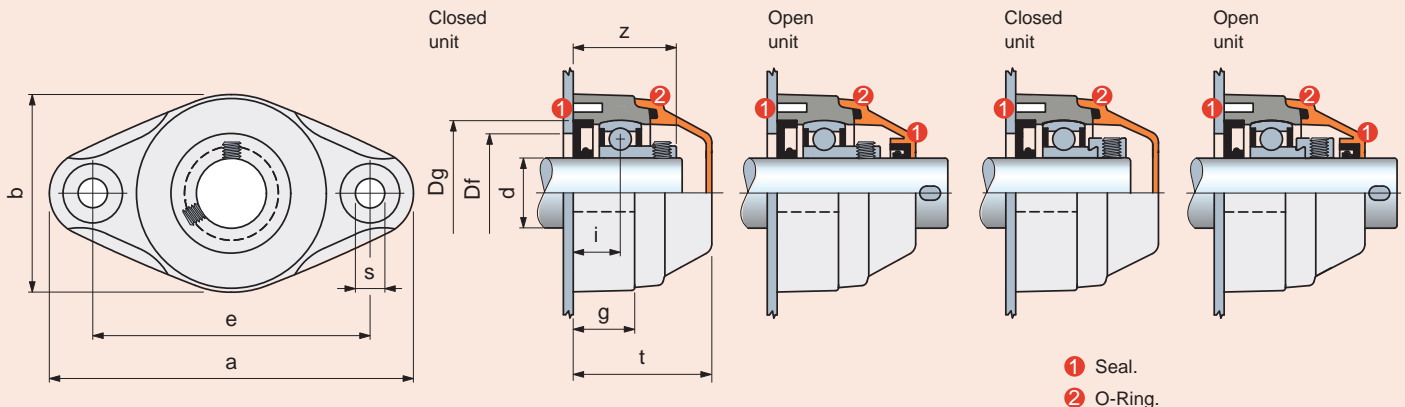
## Bearing



- Type A (grub screws shaft locking)
- Type D (eccentric collar shaft locking)
- Chrome alloy steel
- Superagriseal unit
- Prelubricated with lithium / calcium grease, no need for re-lubrication.

### • Series UCFL/CL • Type A Grub screws shaft locking

### • Series HCFL/CL • Type D Eccentric collar shaft locking



- 1 Seal.
- 2 O-Ring.

# UCFL/CL - SUCFL/CL - HCFL/CL - SHCFL/CL

| dia.<br>d<br>mm                                     | Series       | Housing material  |      | Dimensions in mm |     |    |      |      |      |      |    |    |      | Bore in frame<br>Df |      | Bearing | Weight<br>Kg | Spare parts<br>Cover<br>orange |
|---|--------------|---|------|------------------|-----|----|------|------|------|------|----|----|------|---------------------|------|---------|--------------|--------------------------------|
|   |              | Polyamide<br>PA FV<br>Standard Flange<br>(black)<br>Cover<br>(orange) | Code | e                | a   | b  | s    | g    | i    | z    | t  | Dg | max. | min.                | Code |         |              |                                |
| <b>Grub screws shaft locking • Closed unit</b>      |              |   |      |                  |     |    |      |      |      |      |    |    |      |                     |      |         |              |                                |
| 20  | UCFL 204 CL  | 69016L  | 90   | 116              | 62  | 11 | 20   | 15,2 | 33,2 | 46   | 47 | 45 | 40   | Type A              | 0,25 | 681942  |              |                                |
| 25  | UCFL 205 CL  | 68523L  | 99   | 130              | 71  | 11 | 22,5 | 16,8 | 36,3 | 49,5 | 52 | 50 | 45   | Type A              | 0,33 | 681952  |              |                                |
| 25*   | SUCFL 205 CL | 687562L <sup>1)</sup>   | 90   | 130              | 71  | 11 | 22,5 | 16,8 | 36,3 | 49,5 | 52 | 50 | 45   | Type A              | 0,33 | 681952  |              |                                |
| 30  | UCFL 206 CL  | 68399L  | 117  | 148              | 85  | 11 | 26   | 20   | 42   | 56   | 62 | 60 | 50   | Type A              | 0,42 | 63154   |              |                                |
| 30*   | SUCFL 206 CL | 687572L <sup>1)</sup>   | 99   | 148              | 85  | 11 | 26   | 20   | 42   | 56   | 62 | 60 | 50   | Type A              | 0,42 | 63154   |              |                                |
| 35  | UCFL 207 CL  | 648131L   | 130  | 162              | 93  | 11 | 26   | 19,5 | 43   | 59   | 72 | 70 | 55   | Type A              | 0,65 | 682022  |              |                                |
| 35*   | SUCFL 207 CL | 697702L <sup>1)</sup>   | 117  | 148              | 112 | 11 | 26   | 19,5 | 43   | 62   | 72 | 70 | 55   | Type A              | 0,70 | 63539   |              |                                |
| 40  | UCFL 208 CL  | 672411L   | 144  | 176              | 102 | 11 | 30   | 22   | 47   | 65,5 | 80 | 78 | 65   | Type A              | 0,90 | 63539   |              |                                |
| 40*   | SUCFL 208 CL | 697712L <sup>1)</sup>   | 117  | 148              | 112 | 11 | 26   | 19   | 44   | 62   | 80 | 78 | 65   | Type A              | 0,74 | 63539   |              |                                |
| <b>Grub screws shaft locking • Open unit</b>        |              |   |      |                  |     |    |      |      |      |      |    |    |      |                     |      |         |              |                                |
| 20  | UCFL 204 CL  | 69026L  | 90   | 116              | 62  | 11 | 20   | 15,2 | 33,2 | 46   | 47 | 45 | 40   | Type A              | 0,25 | 681962  |              |                                |
| 25  | UCFL 205 CL  | 68533L  | 99   | 130              | 71  | 11 | 22,5 | 16,8 | 36,3 | 49,5 | 52 | 50 | 45   | Type A              | 0,33 | 681972  |              |                                |
| 25*   | SUCFL 205 CL | 687582L <sup>1)</sup>   | 90   | 130              | 71  | 11 | 22,5 | 16,8 | 36,3 | 49,5 | 52 | 50 | 45   | Type A              | 0,33 | 681972  |              |                                |
| 30  | UCFL 206 CL  | 68409L  | 117  | 148              | 85  | 11 | 26   | 20   | 42   | 56   | 62 | 60 | 50   | Type A              | 0,42 | 69965   |              |                                |
| 30*   | SUCFL 206 CL | 687592L <sup>1)</sup>   | 99   | 148              | 85  | 11 | 26   | 20   | 42   | 56   | 62 | 60 | 50   | Type A              | 0,42 | 69965   |              |                                |
| 35  | UCFL 207 CL  | 648141L   | 130  | 162              | 93  | 11 | 26   | 19,5 | 43   | 59   | 72 | 70 | 55   | Type A              | 0,65 | 682032  |              |                                |
| 35*   | SUCFL 207 CL | 697722L <sup>1)</sup>   | 117  | 148              | 112 | 11 | 26   | 19,5 | 43   | 62   | 72 | 70 | 55   | Type A              | 0,70 | 615692  |              |                                |
| 40  | UCFL 208 CL  | 672421L   | 144  | 176              | 102 | 11 | 30   | 22   | 47   | 65,5 | 80 | 78 | 65   | Type A              | 0,90 | 63549   |              |                                |
| 40*   | SUCFL 208 CL | 697732L <sup>1)</sup>   | 117  | 148              | 112 | 11 | 26   | 19   | 44   | 62   | 80 | 78 | 65   | Type A              | 0,74 | 63549   |              |                                |
| <b>Eccentric collar shaft locking • Closed unit</b> |              |   |      |                  |     |    |      |      |      |      |    |    |      |                     |      |         |              |                                |
| 20  | HCFL 204 CL  | 679052L   | 90   | 116              | 62  | 11 | 20   | 15,2 | 38,6 | 49   | 47 | 45 | 40   | Type D              | 0,30 | 681942  |              |                                |
| 25  | HCFL 205 CL  | 679062L   | 99   | 130              | 71  | 11 | 22,5 | 16,8 | 40,2 | 49,5 | 52 | 50 | 45   | Type D              | 0,37 | 681952  |              |                                |
| 25*   | SHCFL 205 CL | 687602L <sup>1)</sup>   | 90   | 130              | 71  | 11 | 22,5 | 16,8 | 40,2 | 49,5 | 52 | 50 | 45   | Type D              | 0,37 | 681952  |              |                                |
| 30  | HCFL 206 CL  | 679072L   | 117  | 148              | 85  | 11 | 26   | 20   | 46,7 | 56   | 62 | 60 | 50   | Type D              | 0,49 | 63154   |              |                                |
| 30*   | SHCFL 206 CL | 687612L <sup>1)</sup>   | 99   | 148              | 85  | 11 | 26   | 20   | 46,7 | 56   | 62 | 60 | 50   | Type D              | 0,49 | 63154   |              |                                |
| 35  | HCFL 207 CL  | 679082L   | 130  | 162              | 93  | 11 | 26   | 19,5 | 48,9 | 59   | 72 | 70 | 55   | Type D              | 0,83 | 682022  |              |                                |
| 35*   | SHCFL 207 CL | 697742L <sup>1)</sup>   | 117  | 148              | 112 | 11 | 26   | 19,5 | 48,9 | 62   | 72 | 70 | 55   | Type D              | 0,88 | 63539   |              |                                |
| 40  | HCFL 208 CL  | 679092L   | 144  | 176              | 102 | 11 | 30   | 22   | 54,7 | 71   | 80 | 78 | 65   | Type D              | 1,09 | 600882  |              |                                |
| 40*   | SHCFL 208 CL | 697752L <sup>1)</sup>   | 117  | 148              | 112 | 11 | 26   | 19   | 51,7 | 68   | 80 | 78 | 65   | Type D              | 0,93 | 600882  |              |                                |
| <b>Eccentric collar shaft locking • Open unit</b>   |              |   |      |                  |     |    |      |      |      |      |    |    |      |                     |      |         |              |                                |
| 20  | HCFL 204 CL  | 679102L   | 90   | 116              | 62  | 11 | 20   | 15,2 | 38,6 | 49   | 47 | 45 | 40   | Type D              | 0,30 | 681962  |              |                                |
| 25  | HCFL 205 CL  | 679112L   | 99   | 130              | 71  | 11 | 22,5 | 16,8 | 40,2 | 49,5 | 52 | 50 | 45   | Type D              | 0,37 | 681972  |              |                                |
| 25*   | SHCFL 205 CL | 687622L <sup>1)</sup>   | 90   | 130              | 71  | 11 | 22,5 | 16,8 | 40,2 | 49,5 | 52 | 50 | 45   | Type D              | 0,37 | 681972  |              |                                |
| 30  | HCFL 206 CL  | 679122L   | 117  | 148              | 85  | 11 | 26   | 20   | 46,7 | 56   | 62 | 60 | 50   | Type D              | 0,49 | 69965   |              |                                |
| 30*   | SHCFL 206 CL | 687632L <sup>1)</sup>   | 99   | 148              | 85  | 11 | 26   | 20   | 46,7 | 56   | 62 | 60 | 50   | Type D              | 0,49 | 69965   |              |                                |
| 35  | HCFL 207 CL  | 679132L   | 130  | 162              | 93  | 11 | 26   | 19,5 | 48,9 | 59   | 72 | 70 | 55   | Type D              | 0,83 | 682032  |              |                                |
| 35*   | SHCFL 207 CL | 697762L <sup>1)</sup>   | 117  | 148              | 112 | 11 | 26   | 19,5 | 48,9 | 62   | 72 | 70 | 55   | Type D              | 0,88 | 615692  |              |                                |
| 40  | HCFL 208 CL  | 679142L   | 144  | 176              | 102 | 11 | 30   | 22   | 54,7 | 71   | 80 | 78 | 65   | Type D              | 1,09 | 600892  |              |                                |
| 40*   | SHCFL 208 CL | 697772L <sup>1)</sup>   | 117  | 148              | 112 | 11 | 26   | 19   | 51,7 | 68   | 80 | 78 | 65   | Type D              | 0,93 | 600892  |              |                                |

Item code for order = B0000 + Code

\* = Version with special fixing holes.

SUCFL206CL/SHCFL206CL: Assembly with cylindrical head screws.

<sup>1)</sup> = Solid flange.

Packaging: 6 pieces.

Best Seller

Standard

On request

# Oval flange bearing units

UCFL - SUCFL - HCFL - SHCFL



Accessories

**Material**

**PA FV polyamide housing**

- Housing in reinforced polyamide PA FV resin (black)
- Ball type nickel plated brass greasing nipple
- Reinforcing bushings on mounting holes and washers in stainless steel AISI 304.

**PP FV polypropylene housing**

- Housing in reinforced polypropylene PP FV resin (white)
- Bearing in stainless steel AISI 420
- Ball type stainless steel AISI 316 greasing nipple
- Reinforcing bushings on mounting holes and washers in stainless steel AISI 316.

**Continuous operating temperature**

in air: - 20 to + 60°C.

**Maximum allowed misalignment: 2°.**

**Bearing**

- Type B (grub screws shaft locking, chrome alloy steel, Superagriseal unit plus centrifuging ring)
- Type C (grub screws shaft locking, stainless steel AISI 420, Superagriseal unit plus rubberised centrifuging ring)
- Type A (grub screws shaft locking, chrome alloy steel, Superagriseal unit)
- Type D (eccentric collar shaft locking, chrome alloy steel, Superagriseal unit)
- Prelubricated with lithium / calcium grease
- Can be relubricated.

**Grub screws or eccentric collar shaft locking**

**Version with bearing Type B**

The double ring guarantees maximum protection against dust and non-corrosive substances.

**Version with stainless steel bearing Type C**

AISI 420 stainless steel bearing with 2 rubberised rings, provides excellent seal against humidity, steams, liquids, medium corrosive chemical agents. Maximum load ability is inferior.

**Version with bearing Type A**

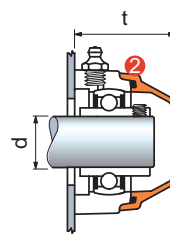
The rubberised ring guarantees maximum protection against dusts.

**Material**

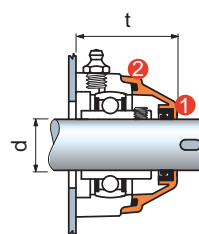
Polyamide PA FV guarantees maximum strength and high-temperature resistance. Polypropylene PP FV offers excellent resistance to chemical agents but inferior load ability.

**Protection covers (accessories)**

**Closed cover**



**Open cover**



- 1 Seals.
- 2 Seals O-Ring.

| dia.<br>d<br>mm                         | Accessories             | t<br>mm |      |
|---|-------------------------|---------|------|
|   | Cover<br>orange<br>Code | UCFL    | HCFL |
| <b>Closed cover supplied with seals</b> |                         |         |      |
| 17*                                     | 681942                  | 46      | 49   |
| 20                                      | 681942                  | 46      | 49   |
| 25                                      | 681952                  | 49,5    | 49,5 |
| 25*                                     | 681952                  | 49,5    | 49,5 |
| 30                                      | 63154                   | 55      | 55   |
| 30*                                     | 63154                   | 55      | 55   |
| 35                                      | 682022                  | 59      | 59   |
| 35*                                     | 63539                   | 62      | 62   |
| 40 <sup>1)</sup>                        | 63539                   | 65,5    | -    |
| 40 <sup>2)</sup>                        | 600882                  | -       | 71   |
| <b>Open cover supplied with seals</b>   |                         |         |      |
| 17*                                     | 696162                  | 46      | 49   |
| 20                                      | 681962                  | 46      | 49   |
| 25                                      | 681972                  | 49,5    | 49,5 |
| 25*                                     | 681972                  | 49,5    | 49,5 |
| 30                                      | 69965                   | 55      | 55   |
| 30*                                     | 69965                   | 55      | 55   |
| 35                                      | 682032                  | 59      | 59   |
| 35*                                     | 615692                  | 62      | 62   |
| 40 <sup>1)</sup>                        | 63549                   | 65,5    | -    |
| 40 <sup>2)</sup>                        | 600892                  | -       | 71   |

\* = Version with special fixing holes.

<sup>1)</sup> = Protection cover for bearing unit with grub screws shaft locking.

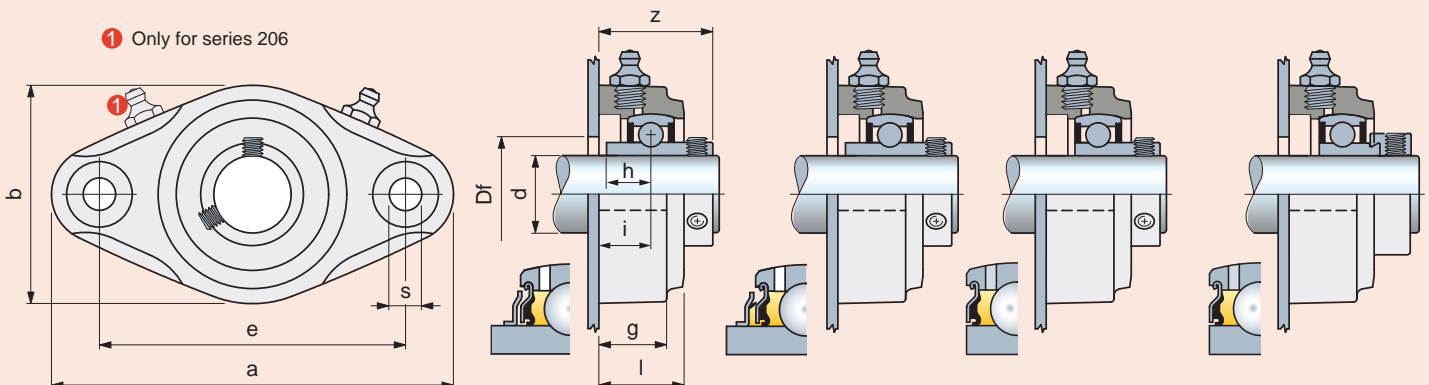
<sup>2)</sup> = Protection cover for bearing unit with eccentric collar shaft locking.

• Series UCFL • Type B  
Grub screws shaft locking

• Series UCFL • Type C  
Grub screws shaft locking

• Series UCFL • Type A  
Grub screws shaft locking

• Series HCFL • Type D  
Eccentric collar shaft locking



# UCFL - SUCFL - HCFL - SHCFL

| dia.<br>d<br>mm  | Series    | Housing material           |                         | Dimensions in mm |     |     |    |      |      |      |      |      | Bore in<br>frame<br>Df<br>mm | Bearing | Weight<br>Kg |
|--|-----------|----------------------------|-------------------------|------------------|-----|-----|----|------|------|------|------|------|------------------------------|---------|--------------|
|  |           | Polyamide<br>PA FV         | Polypropylene<br>PP FV  | e                | a   | b   | s  | g    | i    | h    | l    | z    |                              |         |              |
|  |           | Standard Flange<br>(black) | Solid Flange<br>(white) |                  |     |     |    |      |      |      |      |      |                              |         |              |
|  |           | Code                       |                         |                  |     |     |    |      |      |      |      |      |                              |         |              |
| <b>Grub screws shaft locking • Version with bearing Type B</b>                 |           |                            |                         |                  |     |     |    |      |      |      |      |      |                              |         |              |
| 17*  | SUCFL 203 | 640982                     | -                       | 90               | 116 | 62  | 11 | 20   | 15,2 | 11,5 | 25,5 | 31,1 | 21                           | Type B  | 0,23         |
| 20   | UCFL 204  | 69056                      | -                       | 90               | 116 | 62  | 11 | 20   | 15,2 | 12,7 | 25   | 33,5 | 24                           | Type B  | 0,25         |
| 25   | UCFL 205  | 68563                      | -                       | 99               | 130 | 71  | 11 | 22,5 | 16,8 | 14,3 | 27,5 | 36,5 | 29                           | Type B  | 0,31         |
| 25*  | SUCFL 205 | 687922 <sup>1)</sup>       | -                       | 90               | 130 | 71  | 11 | 22,5 | 16,8 | 14,3 | 27,5 | 36,5 | 29                           | Type B  | 0,31         |
| 30   | UCFL 206  | 68439                      | -                       | 117              | 148 | 85  | 11 | 26   | 19   | 15,9 | 32,5 | 41,2 | 34                           | Type B  | 0,44         |
| 30*  | SUCFL 206 | 687932 <sup>1)</sup>       | -                       | 99               | 148 | 85  | 11 | 26   | 19   | 15,9 | 32,5 | 41,2 | 34                           | Type B  | 0,44         |
| 35   | UCFL 207  | 648171                     | -                       | 130              | 162 | 93  | 11 | 26   | 19,5 | 17,5 | 32   | 44,9 | 39                           | Type B  | 0,67         |
| 35*  | SUCFL 207 | 602303 <sup>1)</sup>       | -                       | 117              | 148 | 112 | 11 | 26   | 19,5 | 17,5 | 33   | 44,9 | 39                           | Type B  | 0,68         |
| 40   | UCFL 208  | 672451                     | -                       | 144              | 176 | 102 | 11 | 30   | 22   | 19   | 36   | 52,2 | 44                           | Type B  | 0,90         |
| 40*  | SUCFL 208 | 602313 <sup>1)</sup>       | -                       | 117              | 148 | 112 | 11 | 26   | 19   | 19   | 33   | 49,2 | 44                           | Type B  | 0,72         |
| <b>Grub screws shaft locking • Version with stainless steel bearing Type C</b> |           |                            |                         |                  |     |     |    |      |      |      |      |      |                              |         |              |
| 20   | UCFL 204  | 646542                     | 680302                  | 90               | 116 | 62  | 11 | 20   | 15,2 | 12,7 | 25   | 33,5 | 24                           | Type C  | 0,25         |
| 25   | UCFL 205  | 646552                     | 680312                  | 99               | 130 | 71  | 11 | 22,5 | 16,8 | 14,3 | 27,5 | 36,6 | 29                           | Type C  | 0,31         |
| 25*  | SUCFL 205 | 687942 <sup>1)</sup>       | 687982                  | 90               | 130 | 71  | 11 | 22,5 | 16,8 | 14,3 | 27,5 | 36,6 | 29                           | Type C  | 0,31         |
| 30   | UCFL 206  | 646562                     | 680322                  | 117              | 148 | 85  | 11 | 26   | 19   | 15,9 | 32,5 | 41,2 | 34                           | Type C  | 0,44         |
| 30*  | SUCFL 206 | 687952 <sup>1)</sup>       | 687992                  | 99               | 148 | 85  | 11 | 26   | 19   | 15,9 | 32,5 | 41,2 | 34                           | Type C  | 0,44         |
| 35   | UCFL 207  | 646572                     | 680332                  | 130              | 162 | 93  | 11 | 26   | 19,5 | 17,5 | 32   | 44,9 | 39                           | Type C  | 0,67         |
| 35*  | SUCFL 207 | 602323 <sup>1)</sup>       | 697962                  | 117              | 148 | 112 | 11 | 26   | 19,5 | 17,5 | 33   | 44,9 | 39                           | Type C  | 0,68         |
| 40   | UCFL 208  | 646582                     | 680342                  | 144              | 176 | 102 | 11 | 30   | 22   | 19   | 36   | 52,2 | 44                           | Type C  | 0,90         |
| 40*  | SUCFL 208 | 602333 <sup>1)</sup>       | 697972                  | 117              | 148 | 112 | 11 | 26   | 19   | 19   | 33   | 49,2 | 44                           | Type C  | 0,72         |
| <b>Grub screws shaft locking • Version with bearing Type A</b>                 |           |                            |                         |                  |     |     |    |      |      |      |      |      |                              |         |              |
| 17*  | SUCFL 203 | 603963                     | 604003                  | 90               | 116 | 62  | 11 | 20   | 15,2 | -    | 25,5 | 31,2 | 21                           | Type A  | 0,21         |
| 20   | UCFL 204  | 655482                     | 680152                  | 90               | 116 | 62  | 11 | 20   | 15,2 | -    | 25   | 33,2 | 24                           | Type A  | 0,23         |
| 25   | UCFL 205  | 655472                     | 680162                  | 99               | 130 | 71  | 11 | 22,5 | 16,8 | -    | 27,5 | 36,3 | 29                           | Type A  | 0,31         |
| 25*  | SUCFL 205 | 687802 <sup>1)</sup>       | 687882                  | 90               | 130 | 71  | 11 | 22,5 | 16,8 | -    | 27,5 | 36,3 | 29                           | Type A  | 0,31         |
| 30   | UCFL 206  | 666412                     | 680172                  | 117              | 148 | 85  | 11 | 26   | 20   | -    | 32,5 | 42   | 34                           | Type A  | 0,39         |
| 30*  | SUCFL 206 | 687812 <sup>1)</sup>       | 687892                  | 99               | 148 | 85  | 11 | 26   | 20   | -    | 32,5 | 42   | 34                           | Type A  | 0,39         |
| 35   | UCFL 207  | 666422                     | 680182                  | 130              | 162 | 93  | 11 | 26   | 19,5 | -    | 32   | 43   | 39                           | Type A  | 0,62         |
| 35*  | SUCFL 207 | 602183 <sup>1)</sup>       | 602263                  | 117              | 148 | 112 | 11 | 26   | 19,5 | -    | 33   | 43   | 39                           | Type A  | 0,86         |
| 40   | UCFL 208  | 666432                     | 680192                  | 144              | 176 | 102 | 11 | 30   | 22   | -    | 36   | 47   | 44                           | Type A  | 0,86         |
| 40*  | SUCFL 208 | 602193 <sup>1)</sup>       | 602273                  | 117              | 148 | 112 | 11 | 26   | 19   | -    | 33   | 44   | 44                           | Type A  | 0,91         |
| <b>Eccentric collar shaft locking • Version with bearing Type D</b>            |           |                            |                         |                  |     |     |    |      |      |      |      |      |                              |         |              |
| 17*  | SHCFL 203 | 604013                     | 604053                  | 90               | 116 | 62  | 11 | 20   | 15,2 | -    | 25,5 | 37,3 | 21                           | Type D  | 0,26         |
| 20   | HCFL 204  | 679852                     | 680202                  | 90               | 116 | 62  | 11 | 20   | 15,2 | -    | 25   | 38,6 | 24                           | Type D  | 0,28         |
| 25   | HCFL 205  | 679862                     | 680212                  | 99               | 130 | 71  | 11 | 22,5 | 16,8 | -    | 27,5 | 40,2 | 29                           | Type D  | 0,35         |
| 25*  | SHCFL 205 | 687822 <sup>1)</sup>       | 687902                  | 90               | 130 | 71  | 11 | 22,5 | 16,8 | -    | 27,5 | 40,2 | 29                           | Type D  | 0,35         |
| 30   | HCFL 206  | 679872                     | 680222                  | 117              | 148 | 85  | 11 | 26   | 20   | -    | 32,5 | 46,7 | 34                           | Type D  | 0,46         |
| 30*  | SHCFL 206 | 687832 <sup>1)</sup>       | 687912                  | 99               | 148 | 85  | 11 | 26   | 20   | -    | 32,5 | 46,7 | 34                           | Type D  | 0,46         |
| 35   | HCFL 207  | 679882                     | 680232                  | 130              | 162 | 93  | 11 | 26   | 19,5 | -    | 32   | 48,9 | 39                           | Type D  | 0,79         |
| 35*  | SHCFL 207 | 602203 <sup>1)</sup>       | 602283                  | 117              | 148 | 112 | 11 | 26   | 19,5 | -    | 33   | 48,9 | 39                           | Type D  | 0,86         |
| 40   | HCFL 208  | 679892                     | 680242                  | 144              | 176 | 102 | 11 | 30   | 22   | -    | 36   | 54,7 | 44                           | Type D  | 1,05         |
| 40*  | SHCFL 208 | 602213 <sup>1)</sup>       | 602293                  | 117              | 148 | 112 | 11 | 26   | 19   | -    | 33   | 51,7 | 44                           | Type D  | 0,91         |

Item code for order = B0000 + Code

\* = Version with special fixing holes.

SUCFL/SHCFL: Assembly with cylindrical head screws.

<sup>1)</sup> = Solid flange.

Packaging: 6 pieces.

Best Seller

Standard

On request



# Oval flange bearing units

UCFLS/C - SUCFLS/C - HCFLS/C - SHCFLS/C



Austenitic stainless steel surface

Waterproof housing

Grub screws or eccentric collar shaft locking

Solid flange

Patent pending design with perfect seal: rubber makes one-body with steel and engineering plastic bearing seat.

## Material

- Housing in reinforced polyamide PA FV resin (black)
- Austenitic stainless steel surface
- Sealing in NBR rubber (black)
- Protection cover in polypropylene PP (orange)
- Seal and O-Ring in NBR rubber (black)
- Ball type nickel plated brass greasing nipple.

## Continuous operating temperature

in air: - 20 to + 60°C.

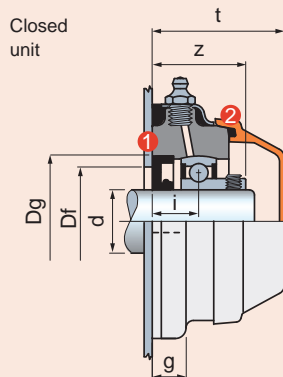
## Maximum allowed misalignment: 2°.

## Bearing

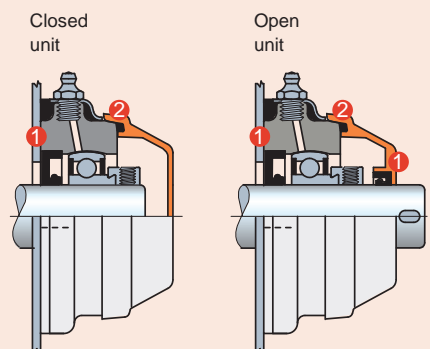


- Type A (grub screws shaft locking)
- Type D (eccentric collar shaft locking)
- Chrome alloy steel
- Supergriseal unit
- Prelubricated with lithium / calcium grease
- Can be relubricated.

### • Series UCFLS/C • Type A Grub screws shaft locking



### • Series HCFLS/C • Type D Eccentric collar shaft locking



- 1 Seal.
- 2 O-Ring.

# UCFLS/C - SUCFLS/C - HCFLS/C - SHCFLS/C

| dia.<br>d<br>mm                                     | Series       | Housing material   | Dimensions in mm |     |     |      |      |    |      |      |    |      | Bore in frame <sup>1)</sup><br>Df |         | Weight<br>Kg | Spare parts<br>Cover<br>orange |
|---|--------------|--|------------------|-----|-----|------|------|----|------|------|----|------|-----------------------------------|---------|--------------|--------------------------------|
|   |              | Polyamide<br>PA FV with austenitic<br>stainless steel<br>surface<br>Solid Flange<br>Cover (orange) | e                | a   | b   | s    | g    | i  | z    | t    | Dg | max. | min.                              | Bearing |              | Code                           |
| <b>Grub screws shaft locking • Closed unit</b>      |              |  |                  |     |     |      |      |    |      |      |    |      |                                   |         |              |                                |
| 30  | UCFLS 206 C  | 670792   | 117              | 145 | 112 | 10,5 | 15,5 | 22 | 44   | 65,8 | 62 | 60   | 50                                | Type A  | 0,65         | 63539                          |
| 35*   | SUCFLS 207 C | 670802   | 117              | 145 | 112 | 10,5 | 15,5 | 22 | 45,5 | 65,8 | 72 | 70   | 55                                | Type A  | 0,76         | 63539                          |
| 40*   | SUCFLS 208 C | 670812   | 117              | 145 | 112 | 10,5 | 15,5 | 22 | 47   | 65,8 | 80 | 78   | 65                                | Type A  | 0,86         | 63539                          |
| <b>Grub screws shaft locking • Open unit</b>        |              |  |                  |     |     |      |      |    |      |      |    |      |                                   |         |              |                                |
| 30  | UCFLS 206 C  | 670822   | 117              | 145 | 112 | 10,5 | 15,5 | 22 | 44   | 65,8 | 62 | 60   | 50                                | Type A  | 0,65         | 615682                         |
| 35*   | SUCFLS 207 C | 670832   | 117              | 145 | 112 | 10,5 | 15,5 | 22 | 45,5 | 65,8 | 72 | 70   | 55                                | Type A  | 0,76         | 615692                         |
| 40*   | SUCFLS 208 C | 670842   | 117              | 145 | 112 | 10,5 | 15,5 | 22 | 47   | 65,8 | 80 | 78   | 65                                | Type A  | 0,86         | 63549                          |
| <b>Eccentric collar shaft locking • Closed unit</b> |              |  |                  |     |     |      |      |    |      |      |    |      |                                   |         |              |                                |
| 30  | HCFLS 206 C  | 670852   | 117              | 145 | 112 | 10,5 | 15,5 | 22 | 48,7 | 65,8 | 62 | 60   | 50                                | Type D  | 0,72         | 63539                          |
| 35*   | SHCFLS 207 C | 670862   | 117              | 145 | 112 | 10,5 | 15,5 | 22 | 51,4 | 65,8 | 72 | 70   | 55                                | Type D  | 0,82         | 63539                          |
| 40*   | SHCFLS 208 C | 670872   | 117              | 145 | 112 | 10,5 | 15,5 | 19 | 51,7 | 65,8 | 80 | 78   | 65                                | Type D  | 0,92         | 63539                          |
| <b>Eccentric collar shaft locking • Open unit</b>   |              |  |                  |     |     |      |      |    |      |      |    |      |                                   |         |              |                                |
| 30  | HCFLS 206 C  | 670882   | 117              | 145 | 112 | 10,5 | 15,5 | 22 | 48,7 | 65,8 | 62 | 60   | 50                                | Type D  | 0,72         | 615682                         |
| 35*   | SHCFLS 207 C | 670892   | 117              | 145 | 112 | 10,5 | 15,5 | 22 | 51,4 | 65,8 | 72 | 70   | 55                                | Type D  | 0,82         | 615692                         |
| 40*   | SHCFLS 208 C | 670902   | 117              | 145 | 112 | 10,5 | 15,5 | 19 | 51,7 | 65,8 | 80 | 78   | 65                                | Type D  | 0,92         | 63549                          |

Item code for order = B0000 + Code

\* = Version with special fixing holes.

<sup>1)</sup> = Dimensions Df max / Df min must be respected to ensure positive retention of the seals and to allow air bleeding during lubrication.

Packaging: 6 pieces.

Best Seller

Standard

On request

# Oval flange bearing units

FL



## Waterproof housing

### Shaft shoulders locking

High axial load capacity.

### PA FV polyamide housing

High mechanical and heat resistance. Proof to dust, humidity, washouts, steam, average aggressive chemical agents.

### PP FV polypropylene housing

Proof to highly aggressive chemical agents. Inferior loading ability.

## Material

### PA FV polyamide housing

- Housing in reinforced polyamide PA FV resin (black)
- Seal and O-Ring in NBR rubber (black)
- Ball type nickel plated brass greasing nipple
- Reinforcing bushings on mounting holes and washers in stainless steel AISI 304.

### PP FV polypropylene housing

- Housing in reinforced polypropylene PP FV resin (black)
- Seal and O-Ring in NBR rubber (black).
- On request supplied in Viton rubber (brown).  
Viton material offers high resistance to chemical agents.
- Ball type stainless steel AISI 316 greasing nipple
- Reinforcing bushings on mounting holes and washers in stainless steel AISI 316.

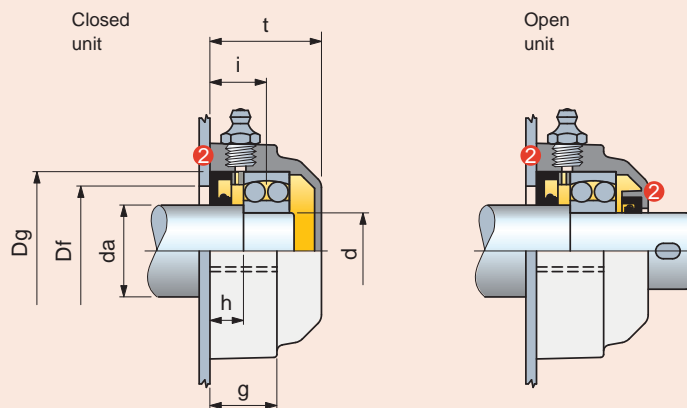
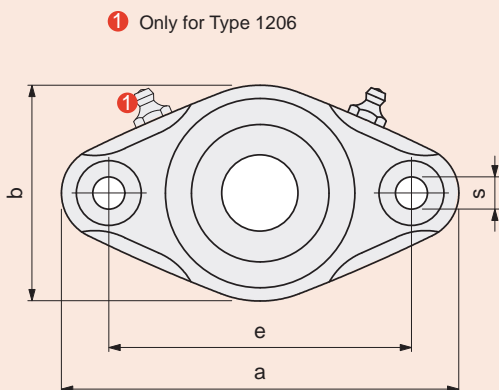
## Continuous operating temperature

in air: - 20 to + 60°C.

## Maximum allowed misalignment: 2°.

## Bearing

- Type 1200 self aligning ball bearing
- Chrome alloy steel
- Supplied without grease
- To be prelubricated with lithium / calcium grease during first installation.



2 Seal.

| Shaft<br>dia.<br>da<br>mm | Bearing<br>dia.<br>d<br>mm | Series  | Housing material                                 |  | Dimensions in mm |     |     |    |      |      |    |      |    |      | Bore in<br>frame <sup>1)</sup><br>Df |           | Bearing | Weight<br>Kg |
|---------------------------|----------------------------|---------|--|--|------------------|-----|-----|----|------|------|----|------|----|------|--------------------------------------|-----------|---------|--------------|
|                           |                            |         | Polyamide<br>PA FV<br>Standard Flange<br>(black) | Polypropylene<br>PP FV<br>Standard Flange<br>(black) | e                | a   | b   | s  | g    | i    | h  | t    | Dg | max. | min.                                 |           |         |              |
|                           |                            |         | Code   |  |                  |     |     |    |      |      |    |      |    |      |                                      |           |         |              |
| <b>Closed unit</b>        |                            |         |  |  |                  |     |     |    |      |      |    |      |    |      |                                      |           |         |              |
| 25                        | 20                         | FL 1204 | <b>68976</b>                                     | <b>680352</b>  | 90               | 116 | 62  | 11 | 20   | 18   | 11 | 35,5 | 47 | 45   | 40                                   | Type 1200 | 0,25    |              |
| 30                        | 25                         | FL 1205 | <b>68483</b>                                     | <b>680362</b>  | 99               | 130 | 71  | 11 | 22,5 | 18,5 | 11 | 36,5 | 52 | 50   | 47                                   | Type 1200 | 0,29    |              |
| 35                        | 30                         | FL 1206 | <b>68339</b>                                     | <b>680372</b>  | 117              | 148 | 85  | 11 | 26   | 19   | 11 | 40   | 62 | 60   | 52                                   | Type 1200 | 0,39    |              |
| 40                        | 35                         | FL 1207 | <b>648091</b>                                    | <b>680382</b>  | 130              | 162 | 93  | 11 | 26   | 19,5 | 11 | 40   | 72 | 70   | 60                                   | Type 1200 | 0,55    |              |
| 45                        | 40                         | FL 1208 | <b>672371</b>                                    | <b>680392</b>  | 144              | 176 | 102 | 11 | 30   | 25   | 16 | 45   | 80 | 78   | 65                                   | Type 1200 | 0,71    |              |
| <b>Open unit</b>          |                            |         |  |  |                  |     |     |    |      |      |    |      |    |      |                                      |           |         |              |
| 25                        | 20                         | FL 1204 | <b>68986</b>                                     | <b>680402</b>  | 90               | 116 | 62  | 11 | 20   | 18   | 11 | 35,5 | 47 | 45   | 40                                   | Type 1200 | 0,25    |              |
| 30                        | 25                         | FL 1205 | <b>68493</b>                                     | <b>680412</b>  | 99               | 130 | 71  | 11 | 22,5 | 18,5 | 11 | 36,5 | 52 | 50   | 47                                   | Type 1200 | 0,29    |              |
| 35                        | 30                         | FL 1206 | <b>68349</b>                                     | <b>680422</b>  | 117              | 148 | 85  | 11 | 26   | 19   | 11 | 40   | 62 | 60   | 52                                   | Type 1200 | 0,39    |              |
| 40                        | 35                         | FL 1207 | <b>648101</b>                                    | <b>680432</b>  | 130              | 162 | 93  | 11 | 26   | 19,5 | 11 | 40   | 72 | 70   | 60                                   | Type 1200 | 0,55    |              |
| 45                        | 40                         | FL 1208 | <b>672381</b>                                    | <b>680442</b>  | 144              | 176 | 102 | 11 | 30   | 25   | 16 | 45   | 80 | 78   | 65                                   | Type 1200 | 0,71    |              |

Item code for order = B0000 + Code

<sup>1)</sup> = Dimensions Df max / Df min must be respected to ensure positive retention of the seals and to allow air bleeding during lubrication.

Packaging: 6 pieces.

● Best Seller

● Standard

● On request

# Pillow block type bearing units

## UCP/C - HCP/C



### Waterproof housing

### Grub screws or eccentric collar shaft locking

### PA FV polyamide housing

High mechanical and heat resistance. Proof to dust, humidity, washouts, steam, average aggressive chemical agents.

### PP FV polypropylene housing

Proof to highly aggressive chemical agents. Inferior loading ability.

### Material

#### PA FV polyamide housing

- Housing in reinforced polyamide PA FV resin (black)
- Protection cover in polypropylene PP (orange)
- Seal and O-Ring in NBR rubber (black)
- Ball type nickel plated brass greasing nipple
- Reinforcing bushings on mounting holes and washers in stainless steel AISI 304
- Stainless steel AISI 303 safety ring.

#### PP FV polypropylene housing

- Housing in reinforced polypropylene PP FV resin (white)
- Protection cover in polypropylene PP (orange)
- Seal and O-Ring in NBR rubber (black).  
On request supplied in Viton rubber (brown).  
Viton material offers high resistance to chemical agents
- Ball type stainless steel AISI 316 greasing nipple
- Reinforcing bushings on mounting holes and washers in stainless steel AISI 316
- Stainless steel AISI 303 safety ring.

### Continuous operating temperature

in air: - 20 to + 60°C.

### Maximum allowed misalignment: 2°.

### Bearing



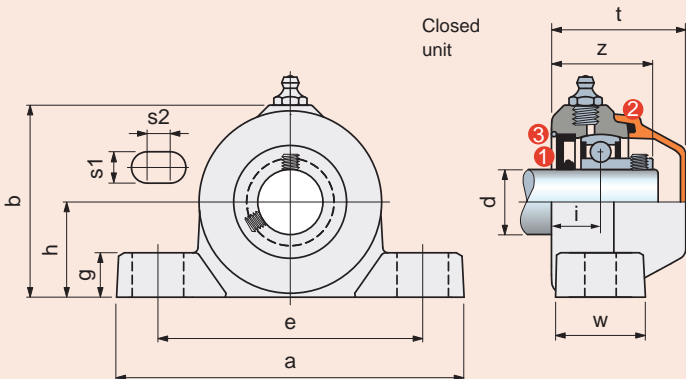
- Type A (grub screws shaft locking)
- Type D (eccentric collar shaft locking)
- Chrome alloy steel
- Superagriseal unit
- Prelubricated with lithium / calcium grease
- Can be relubricated.

### Spare parts for all bearings

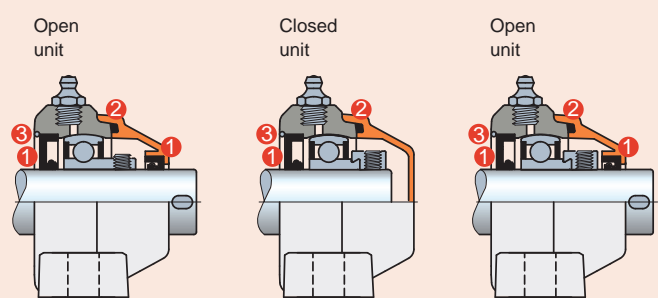


| dia.<br>d<br>mm    | Code   |
|--------------------|--------|
| <b>Safety ring</b> |        |
| 20                 | 600982 |
| 25                 | 646281 |
| 30                 | 646291 |
| 35                 | 646301 |
| 40                 | 601052 |

### • Series UCP/C • Type A Grub screws shaft locking



### • Series HCP/C • Type D Eccentric collar shaft locking



- 1 Seal.
- 2 O-Ring.
- 3 Safety ring.

| dia.<br>d<br>mm                                     | Series    | Housing material   |  | Dimensions in mm |     |      |     |    |    |    |      |      |      |      |        | Bearing | Weight<br>Kg | Spare parts<br>Cover<br>orange |
|---|-----------|--|--|------------------|-----|------|-----|----|----|----|------|------|------|------|--------|---------|--------------|--------------------------------|
|   |           | Polyamide<br>PA FV<br>Flange<br>(black)<br>Cover<br>(orange) | Polypropylene<br>PP FV<br>Flange<br>(white)<br>Cover<br>(orange) | Code             | e   | a    | h   | b  | s1 | s2 | g    | w    | i    | z    | t      |         |              | Code                           |
| <b>Grub screws shaft locking • Closed unit</b>      |           |  |  |                  |     |      |     |    |    |    |      |      |      |      |        |         |              |                                |
| 20  | UCP 204 C | 682941   | 678352   | 96               | 128 | 33,3 | 67  | 12 | 10 | 17 | 30   | 18,9 | 36,9 | 49,7 | Type A | 0,27    | 681942       |                                |
| 25  | UCP 205 C | 646511   | 678362   | 106              | 140 | 36,5 | 75  | 12 | 10 | 17 | 34,5 | 18,8 | 38,3 | 51,5 | Type A | 0,33    | 681952       |                                |
| 30  | UCP 206 C | 646531   | 678372   | 121              | 163 | 42,9 | 88  | 14 | 10 | 20 | 36   | 19,7 | 41,7 | 55   | Type A | 0,49    | 63154        |                                |
| 35  | UCP 207 C | 646551   | 678382   | 126              | 167 | 47,6 | 98  | 14 | 10 | 20 | 38,6 | 21,3 | 44,8 | 61   | Type A | 0,64    | 682022       |                                |
| 40  | UCP 208 C | 683041   | 678392   | 136              | 185 | 50   | 102 | 14 | 10 | 20 | 38,6 | 25   | 50   | 66,5 | Type A | 0,84    | 63539        |                                |
| <b>Grub screws shaft locking • Open unit</b>        |           |  |  |                  |     |      |     |    |    |    |      |      |      |      |        |         |              |                                |
| 20  | UCP 204 C | 682931   | 678402   | 96               | 128 | 33,3 | 67  | 12 | 10 | 17 | 30   | 18,9 | 36,9 | 49,7 | Type A | 0,27    | 681962       |                                |
| 25  | UCP 205 C | 646521   | 678412   | 106              | 140 | 36,5 | 75  | 12 | 10 | 17 | 34,5 | 18,8 | 38,3 | 51,5 | Type A | 0,33    | 681972       |                                |
| 30  | UCP 206 C | 646541   | 678422   | 121              | 163 | 42,9 | 88  | 14 | 10 | 20 | 36   | 19,7 | 41,7 | 55   | Type A | 0,49    | 69965        |                                |
| 35  | UCP 207 C | 646561   | 678432   | 126              | 167 | 47,6 | 98  | 14 | 10 | 20 | 38,6 | 21,3 | 44,8 | 61   | Type A | 0,64    | 682032       |                                |
| 40  | UCP 208 C | 683031   | 678442   | 136              | 185 | 50   | 102 | 14 | 10 | 20 | 38,6 | 25   | 50   | 66,5 | Type A | 0,84    | 63549        |                                |
| <b>Eccentric collar shaft locking • Closed unit</b> |           |  |  |                  |     |      |     |    |    |    |      |      |      |      |        |         |              |                                |
| 20  | HCP 204 C | 677952   | 678452   | 96               | 128 | 33,3 | 67  | 12 | 10 | 17 | 30   | 18,9 | 42,3 | 52   | Type D | 0,32    | 681942       |                                |
| 25  | HCP 205 C | 677962   | 678462   | 106              | 140 | 36,5 | 75  | 12 | 10 | 17 | 34,5 | 18,8 | 42,2 | 51,5 | Type D | 0,37    | 681952       |                                |
| 30  | HCP 206 C | 677972   | 678472   | 121              | 163 | 42,9 | 88  | 14 | 10 | 20 | 36   | 19,7 | 46,4 | 55   | Type D | 0,56    | 63154        |                                |
| 35  | HCP 207 C | 677982   | 678482   | 126              | 167 | 47,6 | 98  | 14 | 10 | 20 | 38,6 | 21,3 | 50,7 | 61   | Type D | 0,82    | 682022       |                                |
| 40  | HCP 208 C | 677992   | 678492   | 136              | 185 | 50   | 102 | 14 | 10 | 20 | 38,6 | 25   | 57,7 | 72   | Type D | 1,03    | 600882       |                                |
| <b>Eccentric collar shaft locking • Open unit</b>   |           |  |  |                  |     |      |     |    |    |    |      |      |      |      |        |         |              |                                |
| 20  | HCP 204 C | 678002   | 678502   | 96               | 128 | 33,3 | 67  | 12 | 10 | 17 | 30   | 18,9 | 42,3 | 52   | Type D | 0,32    | 681962       |                                |
| 25  | HCP 205 C | 678012   | 678512   | 106              | 140 | 36,5 | 75  | 12 | 10 | 17 | 34,5 | 18,8 | 42,2 | 51,5 | Type D | 0,37    | 681972       |                                |
| 30  | HCP 206 C | 678022   | 678522   | 121              | 163 | 42,9 | 88  | 14 | 10 | 20 | 36   | 19,7 | 46,4 | 55   | Type D | 0,56    | 69965        |                                |
| 35  | HCP 207 C | 678032   | 678532   | 126              | 167 | 47,6 | 98  | 14 | 10 | 20 | 38,6 | 21,3 | 50,7 | 61   | Type D | 0,82    | 682032       |                                |
| 40  | HCP 208 C | 678042   | 678542   | 136              | 185 | 50   | 102 | 14 | 10 | 20 | 38,6 | 25   | 57,7 | 72   | Type D | 1,03    | 600892       |                                |

Item code for order = B0000 + Code  
Packaging: 6 pieces.

Best Seller

Standard

On request

# Pillow block type bearing units

## UCP - HCP



Accessories

### Material

#### PA FV polyamide housing

- Housing in reinforced polyamide PA FV resin (black)
- Ball type nickel plated brass greasing nipple
- Reinforcing bushings on mounting holes and washers in stainless steel AISI 304.

#### PP FV polypropylene housing

- Housing in reinforced polypropylene PP FV resin (white)
- Ball type stainless steel AISI 316 greasing nipple
- Reinforcing bushings on mounting holes and washers in stainless steel AISI 316.

### Continuous operating temperature

in air: - 20 to + 60°C.

### Maximum allowed misalignment: 2°.

### Bearing

- Type B (grub screws shaft locking, chrome alloy steel, Superagriseal unit plus centrifuging ring)
- Type C (grub screws shaft locking, stainless steel AISI 420, Superagriseal unit plus rubberised centrifuging ring)
- Type A (grub screws shaft locking, chrome alloy steel, Superagriseal unit)
- Type D (eccentric collar shaft locking, chrome alloy steel, Superagriseal unit)
- Prelubricated with lithium / calcium grease
- Can be relubricated.

### Grub screws or eccentric collar shaft locking

#### Version with bearing Type B

The double ring guarantees maximum protection against dust and non-corrosive substances.

#### Version with stainless steel bearing Type C

AISI 420 stainless steel bearing with 2 rubberised rings, provides excellent seal against humidity, steams, liquids, medium corrosive chemical agents. Maximum load ability is inferior.

#### Version with bearing Type A

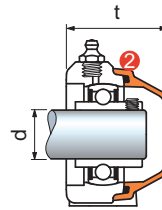
The rubberised ring guarantees maximum protection against dusts.

#### Material

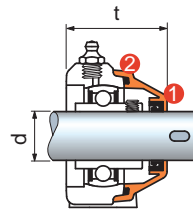
Polyamide PA FV guarantees maximum strength and high-temperature resistance. Polypropylene PP FV offers excellent resistance to chemical agents but inferior load ability.

### Protection covers (accessories)

#### Closed cover



#### Open cover



① Seals.

② Seals O-Ring.

| dia.<br>d<br>mm                         | Accessories             | t<br>mm |      |
|---|-------------------------|---------|------|
|   | Cover<br>orange<br>Code | UCFL    | HCFL |
| <b>Closed cover supplied with seals</b> |                         |         |      |
| 20                                      | 681942                  | 49,7    | 52   |
| 25                                      | 681952                  | 51,5    | 51,5 |
| 30                                      | 63154                   | 55      | 55   |
| 35                                      | 682022                  | 61      | 61   |
| 40 <sup>1)</sup>                        | 63539                   | 66,5    | -    |
| 40 <sup>2)</sup>                        | 600882                  | -       | 72   |
| <b>Open cover supplied with seals</b>   |                         |         |      |
| 20                                      | 681962                  | 49,7    | 52   |
| 25                                      | 681972                  | 51,5    | 51,5 |
| 30                                      | 69965                   | 55      | 55   |
| 35                                      | 682032                  | 61      | 61   |
| 40 <sup>1)</sup>                        | 63549                   | 66,5    | -    |
| 40 <sup>2)</sup>                        | 600892                  | -       | 72   |

<sup>1)</sup> = Protection cover for bearing unit with grub screws shaft locking.

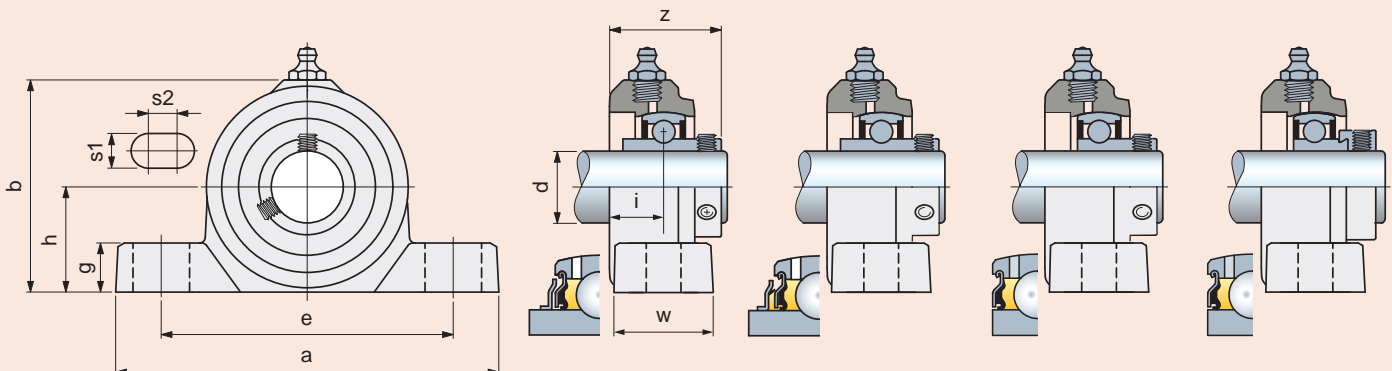
<sup>2)</sup> = Protection cover for bearing unit with eccentric collar shaft locking.

• Series UCP • Type B  
Grub screws shaft  
locking

• Series UCP • Type C  
Grub screws shaft  
locking

• Series UCP • Type A  
Grub screws shaft  
locking

• Series HCP • Type D  
Eccentric collar shaft  
locking



| dia.<br>d<br>mm  | Series  | Housing material                        |   | Dimensions in mm |     |      |     |    |    |    |      |      |      | Bearing | Weight<br>Kg |
|--|---------|---|---|------------------|-----|------|-----|----|----|----|------|------|------|---------|--------------|
|  |         | Polyamide<br>PA FV<br>Flange<br>(black) | Polypropylene<br>PP FV<br>Flange<br>(white) | e                | a   | h    | b   | s1 | s2 | g  | w    | i    | z    |         |              |
|  |         | Code                                    |   |                  |     |      |     |    |    |    |      |      |      |         |              |
| <b>Grub screws shaft locking • Version with bearing Type B</b>                 |         |   |   |                  |     |      |     |    |    |    |      |      |      |         |              |
| 20   | UCP 204 | 682921                                  | -   | 96               | 128 | 33,3 | 67  | 12 | 10 | 17 | 30   | 18,9 | 37,2 | Type B  | 0,27         |
| 25   | UCP 205 | 648781                                  | -   | 106              | 140 | 36,5 | 75  | 12 | 10 | 17 | 34,5 | 18,8 | 38,5 | Type B  | 0,33         |
| 30   | UCP 206 | 648791                                  | -   | 121              | 163 | 42,9 | 88  | 14 | 10 | 20 | 36   | 19,7 | 41,9 | Type B  | 0,49         |
| 35   | UCP 207 | 648801                                  | -   | 126              | 167 | 47,6 | 98  | 14 | 10 | 20 | 38,6 | 21,3 | 46,7 | Type B  | 0,64         |
| 40   | UCP 208 | 683021                                  | -   | 136              | 185 | 50   | 102 | 14 | 10 | 20 | 38,6 | 25   | 55,2 | Type B  | 0,84         |
| <b>Grub screws shaft locking • Version with stainless steel bearing Type C</b> |         |   |   |                  |     |      |     |    |    |    |      |      |      |         |              |
| 20   | UCP 204 | 646492                                  | 679002                                      | 96               | 128 | 33,3 | 67  | 12 | 10 | 17 | 30   | 18,9 | 37,2 | Type C  | 0,27         |
| 25   | UCP 205 | 646502                                  | 679012                                      | 106              | 140 | 36,5 | 75  | 12 | 10 | 17 | 34,5 | 18,8 | 38,6 | Type C  | 0,33         |
| 30   | UCP 206 | 646512                                  | 679022                                      | 121              | 163 | 42,9 | 88  | 14 | 10 | 20 | 36   | 19,7 | 41,9 | Type C  | 0,49         |
| 35   | UCP 207 | 646522                                  | 679032                                      | 126              | 167 | 47,6 | 98  | 14 | 10 | 20 | 38,6 | 21,3 | 46,7 | Type C  | 0,64         |
| 40   | UCP 208 | 646532                                  | 679042                                      | 136              | 185 | 50   | 102 | 14 | 10 | 20 | 38,6 | 25   | 55,2 | Type C  | 0,84         |
| <b>Grub screws shaft locking • Version with bearing Type A</b>                 |         |   |   |                  |     |      |     |    |    |    |      |      |      |         |              |
| 20   | UCP 204 | 678552                                  | 678852                                      | 96               | 128 | 33,3 | 67  | 12 | 10 | 17 | 30   | 18,9 | 36,9 | Type A  | 0,24         |
| 25   | UCP 205 | 678562                                  | 678862                                      | 106              | 140 | 36,5 | 75  | 12 | 10 | 17 | 34,5 | 18,8 | 38,3 | Type A  | 0,30         |
| 30   | UCP 206 | 678572                                  | 678872                                      | 121              | 163 | 42,9 | 88  | 14 | 10 | 20 | 36   | 19,7 | 41,7 | Type A  | 0,44         |
| 35   | UCP 207 | 678582                                  | 678882                                      | 126              | 167 | 47,6 | 98  | 14 | 10 | 20 | 38,6 | 21,3 | 44,8 | Type A  | 0,54         |
| 40   | UCP 208 | 678592                                  | 678892                                      | 136              | 185 | 50   | 102 | 14 | 10 | 20 | 38,6 | 25   | 50   | Type A  | 0,72         |
| <b>Eccentric collar shaft locking • Version with bearing Type D</b>            |         |   |   |                  |     |      |     |    |    |    |      |      |      |         |              |
| 20   | HCP 204 | 678602                                  | 678902                                      | 96               | 128 | 33,3 | 67  | 12 | 10 | 17 | 30   | 18,9 | 42,3 | Type D  | 0,29         |
| 25   | HCP 205 | 678612                                  | 678912                                      | 106              | 140 | 36,5 | 75  | 12 | 10 | 17 | 34,5 | 18,8 | 42,2 | Type D  | 0,34         |
| 30   | HCP 206 | 678622                                  | 678922                                      | 121              | 163 | 42,9 | 88  | 14 | 10 | 20 | 36   | 19,7 | 46,4 | Type D  | 0,51         |
| 35   | HCP 207 | 678632                                  | 678932                                      | 126              | 167 | 47,6 | 98  | 14 | 10 | 20 | 38,6 | 21,3 | 50,7 | Type D  | 0,72         |
| 40   | HCP 208 | 678642                                  | 678942                                      | 136              | 185 | 50   | 102 | 14 | 10 | 20 | 38,6 | 25   | 57,7 | Type D  | 0,91         |

Item code for order = B0000 + Code

Packaging: 6 pieces.

● Best Seller

● Standard

● On request



# Compact pillow block

UCPA/C - HCPA/C



## Waterproof housing

### Grub screws or eccentric collar shaft locking

#### PA FV polyamide housing

High mechanical and heat resistance. Proof to dust, humidity, washouts, steam, average aggressive chemical agents.

#### PP FV polypropylene housing

Proof to highly aggressive chemical agents. Inferior loading ability.

## Material

### PA FV polyamide housing

- Housing in reinforced polyamide PA FV resin (black)
- Protection cover in polypropylene PP (orange)
- Seal and O-Ring in NBR rubber (black)
- Ball type nickel plated brass greasing nipple
- Nickel plated brass threaded bushings.

### PP FV polypropylene housing

- Housing in reinforced polypropylene PP FV resin (white)
- Protection cover in polypropylene PP (orange)
- Seal and O-Ring in NBR rubber (black).  
On request supplied in Viton rubber (brown).  
Viton material offers high resistance to chemical agents
- Ball type stainless steel AISI 316 greasing nipple
- Nickel plated brass threaded bushings.

## Continuous operating temperature

in air: - 20 to + 60°C.

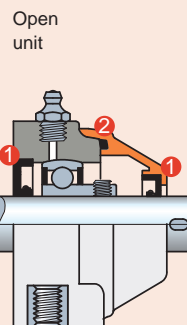
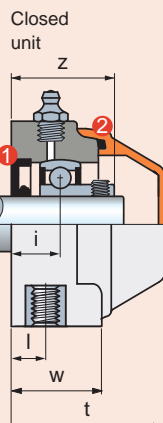
## Maximum allowed misalignment: 2°.

## Bearing

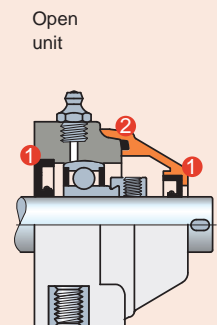
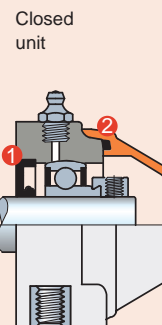


- Type A (grub screws shaft locking)
- Type A (eccentric collar shaft locking)
- Chrome alloy steel
- Superagriseal unit
- Prelubricated with lithium / calcium grease
- Can be relubricated.

### • Series UCPA/C • Type A Grub screws shaft locking



### • Series HCPA/C • Type D Eccentric collar shaft locking



- ① Seal.
- ② O-Ring.

| dia.<br>d<br>mm                                     | Series     | Housing material   |  | Dimensions in mm |    |      |    |     |    |      |    |      |    |        | Bearing | Weight<br>Kg | Spare parts<br>Cover<br>orange |
|---|------------|--|--|------------------|----|------|----|-----|----|------|----|------|----|--------|---------|--------------|--------------------------------|
|   |            | Polyamide<br>PA FV<br>Flange<br>(black)<br>Cover<br>(orange) | Polypropylene<br>PP FV<br>Flange<br>(white)<br>Cover<br>(orange) | e                | a  | h    | b  | s   | w  | i    | l  | z    | t  | Code   |         |              |                                |
| <b>Grub screws shaft locking • Closed unit</b>      |            |  |  |                  |    |      |    |     |    |      |    |      |    |        |         |              |                                |
| 17  | UCPA 203 C | <b>696182</b>  | <b>696542</b>  | 47               | 70 | 30,2 | 62 | M8  | 28 | 15,2 | 10 | 31,2 | 49 | Type A | 0,22    | 681942       |                                |
| 20  | UCPA 204 C | <b>696192</b>  | <b>696552</b>  | 50,8             | 70 | 33,2 | 65 | M8  | 28 | 15,2 | 10 | 33,2 | 49 | Type A | 0,25    | 681942       |                                |
| 25  | UCPA 205 C | <b>696202</b>  | <b>696562</b>  | 50,8             | 75 | 36,5 | 72 | M10 | 30 | 16,8 | 12 | 36,3 | 52 | Type A | 0,29    | 681952       |                                |
| <b>Grub screws shaft locking • Open unit</b>        |            |  |  |                  |    |      |    |     |    |      |    |      |    |        |         |              |                                |
| 17  | UCPA 203 C | <b>696212</b>  | <b>696572</b>  | 47               | 70 | 30,2 | 62 | M8  | 28 | 15,2 | 10 | 31,2 | 49 | Type A | 0,22    | 696162       |                                |
| 20  | UCPA 204 C | <b>696222</b>  | <b>696582</b>  | 50,8             | 70 | 33,2 | 65 | M8  | 28 | 15,2 | 10 | 33,2 | 49 | Type A | 0,25    | 681962       |                                |
| 25  | UCPA 205 C | <b>696232</b>  | <b>696592</b>  | 50,8             | 75 | 36,5 | 72 | M10 | 30 | 16,8 | 12 | 36,3 | 52 | Type A | 0,29    | 681972       |                                |
| <b>Eccentric collar shaft locking • Closed unit</b> |            |  |  |                  |    |      |    |     |    |      |    |      |    |        |         |              |                                |
| 17  | HCPA 203 C | <b>696242</b>  | <b>696602</b>  | 47               | 70 | 30,2 | 62 | M8  | 28 | 15,2 | 10 | 37,3 | 49 | Type D | 0,24    | 681942       |                                |
| 20  | HCPA 204 C | <b>696252</b>  | <b>696612</b>  | 50,8             | 70 | 33,2 | 65 | M8  | 28 | 15,2 | 10 | 38,6 | 49 | Type D | 0,27    | 681942       |                                |
| 25  | HCPA 205 C | <b>696262</b>  | <b>696622</b>  | 50,8             | 75 | 36,5 | 72 | M10 | 30 | 16,8 | 12 | 40,2 | 52 | Type D | 0,34    | 681952       |                                |
| <b>Eccentric collar shaft locking • Open unit</b>   |            |  |  |                  |    |      |    |     |    |      |    |      |    |        |         |              |                                |
| 17  | HCPA 203 C | <b>696272</b>  | <b>696632</b>  | 47               | 70 | 30,2 | 62 | M8  | 28 | 15,2 | 10 | 37,3 | 49 | Type D | 0,24    | 696162       |                                |
| 20  | HCPA 204 C | <b>696282</b>  | <b>696642</b>  | 50,8             | 70 | 33,2 | 65 | M8  | 28 | 15,2 | 10 | 38,6 | 49 | Type D | 0,27    | 681962       |                                |
| 25  | HCPA 205 C | <b>696292</b>  | <b>696652</b>  | 50,8             | 75 | 36,5 | 72 | M10 | 30 | 16,8 | 12 | 40,2 | 52 | Type D | 0,34    | 681972       |                                |

Item code for order = B0000 + Code

Packaging: 6 pieces.

# Compact pillow block

UCPA - HCPA



Accessories

**Material**

**PA FV polyamide housing**

- Housing in reinforced polyamide PA FV resin (black)
- Ball type nickel plated brass greasing nipple
- Nickel plated brass threaded bushings.

**PP FV polypropylene housing**

- Housing in reinforced polypropylene PP FV resin (white)
- Ball type stainless steel AISI 316 greasing nipple
- Nickel plated brass threaded bushings.

- **Continuous operating temperature**  
in air: - 20 to + 60°C.

- **Maximum allowed misalignment:** 2°.

**Bearing**

- Type B (grub screws shaft locking, chrome alloy steel, Superagriseal unit plus centrifuging ring)
- Type C (grub screws shaft locking, stainless steel AISI 420, Superagriseal unit plus rubberised centrifuging ring)
- Type A (grub screws shaft locking, chrome alloy steel, Superagriseal unit)
- Type D (eccentric collar shaft locking, chrome alloy steel, Superagriseal unit)
- Prelubricated with lithium / calcium grease
- Can be relubricated.

**Grub screws or eccentric collar shaft locking**

**Version with bearing Type B**

The double ring guarantees maximum protection against dust and non-corrosive substances.

**Version with stainless steel bearing Type C**

AISI 420 stainless steel bearing with 2 rubberised rings, provides excellent seal against humidity, steams, liquids, medium corrosive chemical agents. Maximum load ability is inferior.

**Version with bearing Type A**

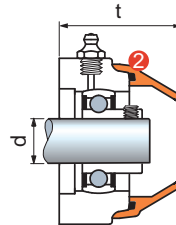
The rubberised ring guarantees maximum protection against dusts.

**Material**

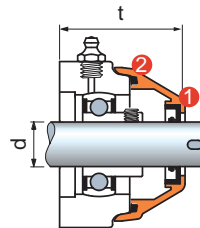
Polyamide PA FV guarantees maximum strength and high-temperature resistance. Polypropylene PP FV offers excellent resistance to chemical agents but inferior load ability.

**Protection covers (accessories)**

**Closed cover**



**Open cover**



- ① Seals.
- ② Seals O-Ring.

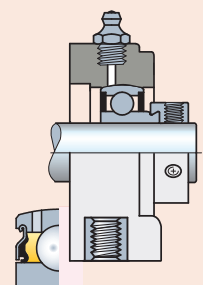
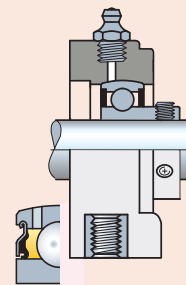
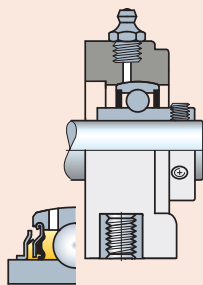
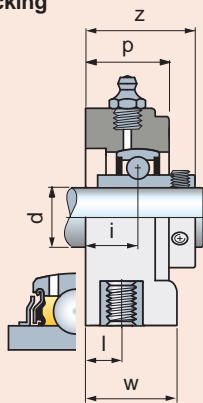
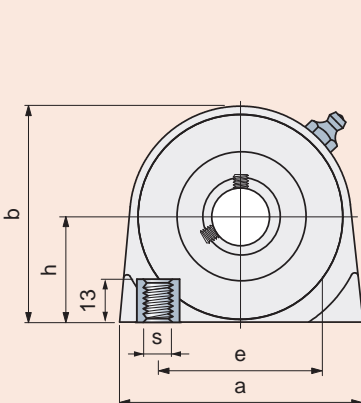
| dia.<br>d<br>mm                         | Accessories<br>Cover<br>orange | t<br>mm |
|---|--------------------------------|---------|
|   | Code                           |         |
| <b>Closed cover supplied with seals</b> |                                |         |
| 17                                      | 681942                         | 49      |
| 20                                      | 681942                         | 49      |
| 25                                      | 681952                         | 52      |
| <b>Open cover supplied with seals</b>   |                                |         |
| 17                                      | 696162                         | 49      |
| 20                                      | 681962                         | 49      |
| 25                                      | 681972                         | 52      |

• Series UCPA • Type B  
Grub screws shaft  
locking

• Series UCPA • Type C  
Grub screws shaft  
locking

• Series UCPA • Type A  
Grub screws shaft  
locking

• Series HCPA • Type D  
Eccentric collar shaft  
locking



| dia.<br>d<br>mm  | Series   | Housing material                        |   | Dimensions in mm |    |      |    |     |    |      |    |      |    | Bearing | Weight<br>Kg |
|--|----------|---|---|------------------|----|------|----|-----|----|------|----|------|----|---------|--------------|
|  |          | Polyamide<br>PA FV<br>Flange<br>(black) | Polypropylene<br>PP FV<br>Flange<br>(white) | e                | a  | h    | b  | s   | w  | i    | l  | z    | p  |         |              |
| <b>Grub screws shaft locking • Version with bearing Type B</b>                 |          |   |   |                  |    |      |    |     |    |      |    |      |    |         |              |
| 17   | UCPA 203 | 696902                                  | -   | 47               | 70 | 30,2 | 62 | M8  | 28 | 15,2 | 10 | 31,1 | 27 | Type B  | 0,21         |
| 20   | UCPA 204 | 696912                                  | -   | 50,8             | 70 | 33,2 | 65 | M8  | 28 | 15,2 | 10 | 33,5 | 27 | Type B  | 0,26         |
| 25   | UCPA 205 | 696922                                  | -   | 50,8             | 75 | 36,5 | 72 | M10 | 30 | 16,8 | 12 | 36,5 | 30 | Type B  | 0,30         |
| <b>Grub screws shaft locking • Version with stainless steel bearing Type C</b> |          |   |   |                  |    |      |    |     |    |      |    |      |    |         |              |
| 20   | UCPA 204 | 696942                                  | 697002                                      | 50,8             | 70 | 33,2 | 65 | M8  | 28 | 15,2 | 10 | 33,5 | 27 | Type C  | 0,26         |
| 25   | UCPA 205 | 696952                                  | 697012                                      | 50,8             | 75 | 36,5 | 72 | M10 | 30 | 16,8 | 12 | 36,6 | 30 | Type C  | 0,30         |
| <b>Grub screws shaft locking • Version with bearing Type A</b>                 |          |   |   |                  |    |      |    |     |    |      |    |      |    |         |              |
| 17   | UCPA 203 | 696662                                  | 696842                                      | 47               | 70 | 30,2 | 62 | M8  | 28 | 15,2 | 10 | 31,2 | 27 | Type A  | 0,21         |
| 20   | UCPA 204 | 696672                                  | 696852                                      | 50,8             | 70 | 33,2 | 65 | M8  | 28 | 15,2 | 10 | 33,2 | 27 | Type A  | 0,24         |
| 25   | UCPA 205 | 696682                                  | 696862                                      | 50,8             | 75 | 36,5 | 72 | M10 | 30 | 16,8 | 12 | 36,5 | 30 | Type A  | 0,28         |
| <b>Eccentric collar shaft locking • Version with bearing Type D</b>            |          |   |   |                  |    |      |    |     |    |      |    |      |    |         |              |
| 17   | HCPA 203 | 696692                                  | 696872                                      | 47               | 70 | 30,2 | 62 | M8  | 28 | 15,2 | 10 | 37,3 | 27 | Type D  | 0,23         |
| 20   | HCPA 204 | 696702                                  | 696882                                      | 50,8             | 70 | 33,2 | 65 | M8  | 28 | 15,2 | 10 | 38,6 | 27 | Type D  | 0,26         |
| 25   | HCPA 205 | 696712                                  | 696892                                      | 50,8             | 75 | 36,5 | 72 | M10 | 30 | 16,8 | 12 | 40,2 | 30 | Type D  | 0,33         |

Item code for order = B0000 + Code

Packaging: 6 pieces.

 Best Seller

 Standard

 On request

# Side flange bearing units

UCFB/C - HCFB/C



The picture shows  
d. 20 - 25 version.

For other versions please  
see the technical drawing.

## Waterproof housing

### Grub screws or eccentric collar shaft locking

#### PA FV polyamide housing

High mechanical and heat resistance. Proof to dust, humidity, washouts, steam, average aggressive chemical agents.

#### PP FV polypropylene housing

Proof to highly aggressive chemical agents. Inferior loading ability.

#### Solid flange bearings

They differ from standard flange versions for their closed surface structure, ideal for sanitation.

## Material

### PA FV polyamide housing

- Housing in reinforced polyamide PA FV resin (black)
- Protection cover in polypropylene PP (orange)
- Seal and O-Ring in NBR rubber (black)
- Ball type nickel plated brass greasing nipple
- Reinforcing bushings on mounting holes and washers in stainless steel AISI 304

### PP FV polypropylene housing

- Housing in reinforced polypropylene PP FV resin (white)
- Protection cover in polypropylene PP (orange)
- Seal and O-Ring in NBR rubber (black).  
On request supplied in Viton rubber (brown).  
Viton material offers high resistance to chemical agents
- Ball type stainless steel AISI 316 greasing nipple
- Reinforcing bushings on mounting holes and washers in stainless steel AISI 316.

## Continuous operating temperature

in air: - 20 to + 60°C.

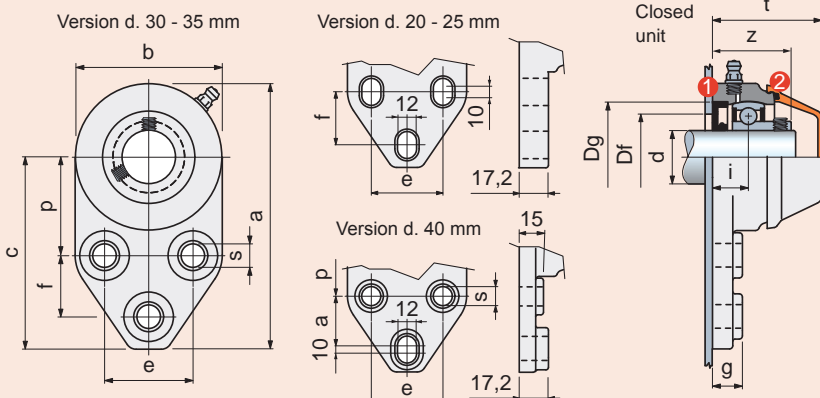
## Maximum allowed misalignment: 2°.

## Bearing

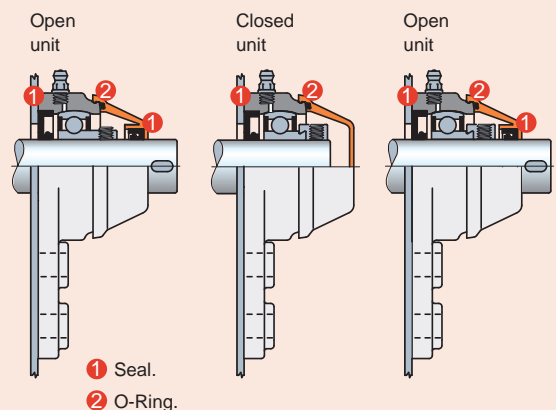


- Type A (grub screws shaft locking)
- Type D (eccentric collar shaft locking)
- Chrome alloy steel
- Superagriseal unit
- Prelubricated with lithium / calcium grease
- Can be relubricated.

### • Series UCFB/C • Type A Grub screws shaft locking



### • Series HCFB/C • Type D Eccentric collar shaft locking



| dia.<br>d<br>mm                                     | Series     | Housing material  |  | Dimensions in mm |      |       |      |      |      |    |    |      |      |      |    |      |      | Bore in frame <sup>1)</sup><br>Df |      | Bearing | Weight<br>Kg | Spare parts<br>Cover<br>orange<br>Code |  |
|---|------------|---|--|------------------|------|-------|------|------|------|----|----|------|------|------|----|------|------|-----------------------------------|------|---------|--------------|--|--|
|   |            | Polyamide<br>PA FV<br>Standard Flange<br>(black)<br>Cover<br>(orange) | Polypropylene<br>PP FV<br>Solid Flange<br>(white)<br>Cover<br>(orange) | a                | b    | c     | p    | e    | f    | s  | g  | i    | z    | t    | Dg | max. | min. |                                   |      |         |              |  |  |
|   |            | Code  |  |                  |      |       |      |      |      |    |    |      |      |      |    |      |      |                                   |      |         |              |  |  |
| <b>Grub screws shaft locking • Closed unit</b>      |            |   |  |                  |      |       |      |      |      |    |    |      |      |      |    |      |      |                                   |      |         |              |  |  |
| 20  | UCFB 204 C | 601133N   | 601373N  | 124,2            | 68,8 | 89,8  | 46   | 41,3 | 28,6 | 11 | 14 | 16,4 | 34,4 | 49   | 47 | 45   | 40   | Type A                            | 0,26 | 681942  |              |  |  |
| 25  | UCFB 205 C | 656542N   | 677832N  | 124,2            | 68,8 | 89,8  | 46   | 41,3 | 28,6 | 11 | 14 | 17,8 | 37,3 | 52   | 52 | 50   | 45   | Type A                            | 0,32 | 681952  |              |  |  |
| 30  | UCFB 206 C | 656562  | 677842   | 138,6            | 81,3 | 97,9  | 52,4 | 47,6 | 31,7 | 11 | 14 | 20   | 42   | 55   | 62 | 60   | 50   | Type A                            | 0,47 | 63154   |              |  |  |
| 35  | UCFB 207 C | 656582  | 677852   | 154,5            | 93,7 | 107,6 | 60,3 | 50,8 | 31,7 | 13 | 15 | 19,5 | 43   | 59   | 72 | 70   | 55   | Type A                            | 0,64 | 682022  |              |  |  |
| 40  | UCFB 208 C | 601143  | 601383   | 164              | 100  | 114   | 60   | 50   | 31   | 13 | -  | 22   | 47   | 66,5 | 80 | 78   | 65   | Type A                            | 0,84 | 600882  |              |  |  |
| <b>Grub screws shaft locking • Open unit</b>        |            |   |  |                  |      |       |      |      |      |    |    |      |      |      |    |      |      |                                   |      |         |              |  |  |
| 20  | UCFB 204 C | 601153N   | 601393N  | 124,2            | 68,8 | 89,8  | 46   | 41,3 | 28,6 | 11 | 14 | 16,4 | 34,4 | 49   | 47 | 45   | 40   | Type A                            | 0,26 | 681962  |              |  |  |
| 25  | UCFB 205 C | 656552N   | 677862N  | 124,2            | 68,8 | 89,8  | 46   | 41,3 | 28,6 | 11 | 14 | 17,8 | 37,3 | 52   | 52 | 50   | 45   | Type A                            | 0,32 | 681972  |              |  |  |
| 30  | UCFB 206 C | 656572  | 677872   | 138,6            | 81,3 | 97,9  | 52,4 | 47,6 | 31,7 | 11 | 14 | 20   | 42   | 55   | 62 | 60   | 50   | Type A                            | 0,47 | 69965   |              |  |  |
| 35  | UCFB 207 C | 656592  | 677882   | 154,5            | 93,7 | 107,6 | 60,3 | 50,8 | 31,7 | 13 | 15 | 19,5 | 43   | 59   | 72 | 70   | 55   | Type A                            | 0,64 | 682032  |              |  |  |
| 40  | UCFB 208 C | 601163  | 601403   | 164              | 100  | 114   | 60   | 50   | 31   | 13 | -  | 22   | 47   | 66,5 | 80 | 78   | 65   | Type A                            | 0,84 | 600892  |              |  |  |
| <b>Eccentric collar shaft locking • Closed unit</b> |            |   |  |                  |      |       |      |      |      |    |    |      |      |      |    |      |      |                                   |      |         |              |  |  |
| 20  | HCFB 204 C | 601173N   | 601413N  | 124,2            | 68,8 | 89,8  | 46   | 41,3 | 28,6 | 11 | 14 | 16,4 | 39,8 | 49   | 47 | 45   | 40   | Type D                            | 0,29 | 681942  |              |  |  |
| 25  | HCFB 205 C | 663252N   | 677892N  | 124,2            | 68,8 | 89,8  | 46   | 41,3 | 28,6 | 11 | 14 | 17,8 | 41,2 | 57   | 52 | 50   | 45   | Type D                            | 0,35 | 681952  |              |  |  |
| 30  | HCFB 206 C | 663262  | 677902   | 138,6            | 81,3 | 97,9  | 52,4 | 47,6 | 31,7 | 11 | 14 | 20   | 46,7 | 60   | 62 | 60   | 50   | Type D                            | 0,50 | 63154   |              |  |  |
| 35  | HCFB 207 C | 663272  | 677912   | 154,5            | 93,7 | 107,6 | 60,3 | 50,8 | 31,7 | 13 | 15 | 19,5 | 48,9 | 64,5 | 72 | 70   | 55   | Type D                            | 0,67 | 682022  |              |  |  |
| 40  | HCFB 208 C | 601183  | 601423   | 164              | 100  | 114   | 60   | 50   | 31   | 13 | -  | 22   | 54,7 | 72   | 80 | 78   | 65   | Type D                            | 0,92 | 600882  |              |  |  |
| <b>Eccentric collar shaft locking • Open unit</b>   |            |   |  |                  |      |       |      |      |      |    |    |      |      |      |    |      |      |                                   |      |         |              |  |  |
| 20  | HCFB 204 C | 601193N   | 601433N  | 124,2            | 68,8 | 89,8  | 46   | 41,3 | 28,6 | 11 | 14 | 16,4 | 39,8 | 49   | 47 | 45   | 40   | Type D                            | 0,29 | 681962  |              |  |  |
| 25  | HCFB 205 C | 663282N   | 677922N  | 124,2            | 68,8 | 89,8  | 46   | 41,3 | 28,6 | 11 | 14 | 17,8 | 41,2 | 57   | 52 | 50   | 45   | Type D                            | 0,35 | 681972  |              |  |  |
| 30  | HCFB 206 C | 663292  | 677932   | 138,6            | 81,3 | 97,9  | 52,4 | 47,6 | 31,7 | 11 | 14 | 20   | 46,7 | 60   | 62 | 60   | 50   | Type D                            | 0,50 | 69965   |              |  |  |
| 35  | HCFB 207 C | 663302  | 677942   | 154,5            | 93,7 | 107,6 | 60,3 | 50,8 | 31,7 | 13 | 15 | 19,5 | 48,9 | 64,5 | 72 | 70   | 55   | Type D                            | 0,67 | 682032  |              |  |  |
| 40  | HCFB 208 C | 601203  | 601443   | 164              | 100  | 114   | 60   | 50   | 31   | 13 | -  | 22   | 54,7 | 72   | 80 | 78   | 65   | Type D                            | 0,92 | 600892  |              |  |  |

Item code for order = B0000 + Code

<sup>1)</sup> = Dimensions Df max / Df min must be respected to ensure positive retention of the seals and to allow air bleeding during lubrication.

Packaging: 6 pieces.

# Side flange bearing units

## UCFB - HCFB



The picture shows  
d. 20 - 25 version.

For other versions please  
see the technical drawing.



Accessories

### Material

#### PA FV polyamide housing

- Housing in reinforced polyamide PA FV resin (black)
- Ball type nickel plated brass greasing nipple
- Reinforcing bushings on mounting holes in stainless steel AISI 304.

#### PP FV polypropylene housing

- Housing in reinforced polypropylene PP FV resin (white)
- Bearing in stainless steel AISI 420
- Ball type stainless steel AISI 316 greasing nipple
- Reinforcing bushings on mounting holes in stainless steel AISI 316.

### Continuous operating temperature

in air: - 20 to + 60°C.

### Maximum allowed misalignment: 2°.

### Bearing

- Type B (grub screws shaft locking, chrome alloy steel, Superagriseal unit plus centrifuging ring)
- Type C (grub screws shaft locking, stainless steel AISI 420, Superagriseal unit plus rubberised centrifuging ring)
- Type A (grub screws shaft locking, chrome alloy steel, Superagriseal unit)
- Type D (eccentric collar shaft locking, chrome alloy steel, Superagriseal unit)
- Prelubricated with lithium / calcium grease
- Can be relubricated.

### Grub screws or eccentric collar shaft locking

#### Version with bearing Type B

The double ring guarantees maximum protection against dust and non-corrosive substances.

#### Version with stainless steel bearing Type C

AISI 420 stainless steel bearing with 2 rubberised rings, provides excellent seal against humidity, steams, liquids, medium corrosive chemical agents. Maximum load ability is inferior.

#### Version with bearing Type A

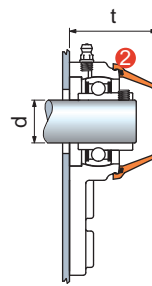
The rubberised ring guarantees maximum protection against dusts.

### Material

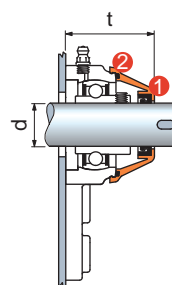
Polyamide PA FV guarantees maximum strength and high-temperature resistance. Polypropylene PP FV offers excellent resistance to chemical agents but inferior load ability.

### Protection covers (accessories)

#### Closed cover



#### Open cover



1 Seals.

2 Seals O-Ring.

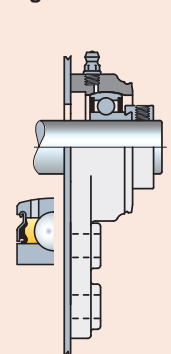
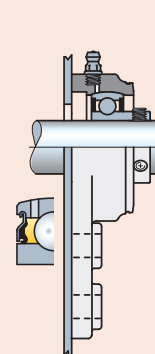
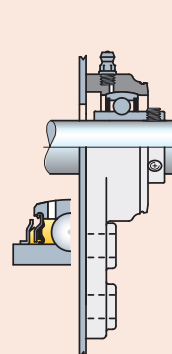
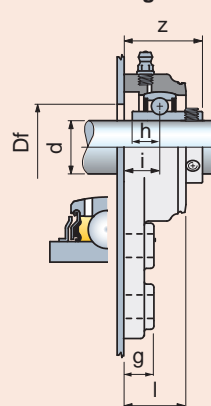
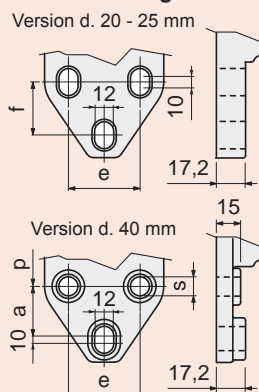
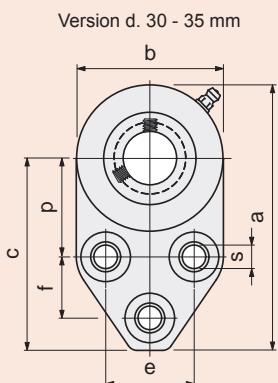
| dia.<br>d<br>mm                         | Accessories             | t<br>mm |      |
|---|-------------------------|---------|------|
|   | Cover<br>orange<br>Code | UCFL    | HCFL |
| <b>Closed cover supplied with seals</b> |                         |         |      |
| 20                                      | 681942                  | 49      | 49   |
| 25                                      | 681952                  | 52      | 57   |
| 30                                      | 63154                   | 55      | 60   |
| 35                                      | 682022                  | 59      | 64,5 |
| 40                                      | 600882                  | 66,5    | 72   |
| <b>Open cover supplied with seals</b>   |                         |         |      |
| 20                                      | 681962                  | 49      | 49   |
| 25                                      | 681972                  | 52      | 57   |
| 30                                      | 69965                   | 55      | 60   |
| 35                                      | 682032                  | 59      | 64,5 |
| 40                                      | 600892                  | 66,5    | 72   |

#### • Series UCFB • Type B Grub screws shaft locking

#### • Series UCFB • Type C Grub screws shaft locking

#### • Series UCFB • Type A Grub screws shaft locking

#### • Series HCFB • Type D Eccentric collar shaft locking



| dia.<br>d<br>mm  | Series   | Housing material                                      |   | Dimensions in mm |      |       |      |      |      |    |    |      |      |      |      |    | Bore in frame<br>Df<br>mm | Bearing | Weight<br>Kg |
|--|----------|---|---|------------------|------|-------|------|------|------|----|----|------|------|------|------|----|---------------------------|---------|--------------|
|  |          | Polyamide<br>PA FV<br>Solid Flange<br>(black)<br>Code | Polypropylene<br>PP FV<br>Solid Flange<br>(white) | a                | b    | c     | p    | e    | f    | s  | g  | i    | h    | l    | z    |    |                           |         |              |
| <b>Grub screws shaft locking • Version with bearing Type B</b>                 |          |   |   |                  |      |       |      |      |      |    |    |      |      |      |      |    |                           |         |              |
| 20   | UCFB 204 | 601613N   | -   | 124,2            | 68,8 | 89,8  | 46   | 41,3 | 28,6 | 11 | 14 | 16,4 | 12,7 | 28,3 | 34,7 | 24 | Type B                    | 0,26    |              |
| 25   | UCFB 205 | 663912N   | -   | 124,2            | 68,8 | 89,8  | 46   | 41,3 | 28,6 | 11 | 14 | 17,8 | 14,3 | 29   | 37,5 | 29 | Type B                    | 0,33    |              |
| 30   | UCFB 206 | 663922  | -   | 138,6            | 81,3 | 97,9  | 52,4 | 47,6 | 31,7 | 11 | 14 | 20   | 15,9 | 31,5 | 42,2 | 34 | Type B                    | 0,50    |              |
| 35   | UCFB 207 | 663932  | -   | 154,5            | 93,7 | 107,6 | 60,3 | 50,8 | 31,7 | 13 | 15 | 19,5 | 17,5 | 32   | 44,9 | 39 | Type B                    | 0,72    |              |
| 40   | UCFB 208 | 601623  | -   | 164              | 100  | 114   | 60   | 50   | 31   | 13 | -  | 22   | 19   | 36   | 52,2 | 44 | Type B                    | 0,84    |              |
| <b>Grub screws shaft locking • Version with stainless steel bearing Type C</b> |          |   |   |                  |      |       |      |      |      |    |    |      |      |      |      |    |                           |         |              |
| 20   | UCFB 204 | 601633N   | 601673N   | 124,2            | 68,8 | 89,8  | 46   | 41,3 | 28,6 | 11 | 14 | 16,4 | 12,7 | 28,3 | 34,7 | 24 | Type C                    | 0,26    |              |
| 25   | UCFB 205 | 663942N   | 665982N   | 124,2            | 68,8 | 89,8  | 46   | 41,3 | 28,6 | 11 | 14 | 17,8 | 14,3 | 29   | 37,6 | 29 | Type C                    | 0,33    |              |
| 30   | UCFB 206 | 663952  | 665992  | 138,6            | 81,3 | 97,9  | 52,4 | 47,6 | 31,7 | 11 | 14 | 20   | 15,9 | 31,5 | 42,2 | 34 | Type C                    | 0,50    |              |
| 35   | UCFB 207 | 663962  | 666002  | 154,5            | 93,7 | 107,6 | 60,3 | 50,8 | 31,7 | 13 | 15 | 19,5 | 17,5 | 32   | 44,9 | 39 | Type C                    | 0,72    |              |
| 40   | UCFB 208 | 601643  | 601683  | 164              | 100  | 114   | 60   | 50   | 31   | 13 | -  | 22   | 19   | 36   | 52,2 | 44 | Type C                    | 0,84    |              |
| <b>Grub screws shaft locking • Version with bearing Type A</b>                 |          |   |   |                  |      |       |      |      |      |    |    |      |      |      |      |    |                           |         |              |
| 20   | UCFB 204 | 601453N   | 601573N   | 124,2            | 68,8 | 89,8  | 46   | 41,3 | 28,6 | 11 | 14 | 16,4 | -    | 28,3 | 34,4 | 24 | Type A                    | 0,26    |              |
| 25   | UCFB 205 | 663672N   | 663852N   | 124,2            | 68,8 | 89,8  | 46   | 41,3 | 28,6 | 11 | 14 | 17,8 | -    | 29   | 37,3 | 29 | Type A                    | 0,30    |              |
| 30   | UCFB 206 | 663682  | 663862  | 138,6            | 81,3 | 97,9  | 52,4 | 47,6 | 31,7 | 11 | 14 | 20   | -    | 31,5 | 42   | 34 | Type A                    | 0,45    |              |
| 35   | UCFB 207 | 663692  | 663872  | 154,5            | 93,7 | 107,6 | 60,3 | 50,8 | 31,7 | 13 | 15 | 19,5 | -    | 32   | 43   | 39 | Type A                    | 0,62    |              |
| 40   | UCFB 208 | 601463  | 601583  | 164              | 100  | 114   | 60   | 50   | 31   | 13 | -  | 22   | -    | 36   | 47   | 44 | Type A                    | 0,84    |              |
| <b>Eccentric collar shaft locking • Version with bearing Type D</b>            |          |   |   |                  |      |       |      |      |      |    |    |      |      |      |      |    |                           |         |              |
| 20   | HCFB 204 | 601473N   | 601593N   | 124,2            | 68,8 | 89,8  | 46   | 41,3 | 28,6 | 11 | 14 | 16,4 | -    | 28,3 | 39,8 | 24 | Type D                    | 0,29    |              |
| 25   | HCFB 205 | 663702N   | 663882N   | 124,2            | 68,8 | 89,8  | 46   | 41,3 | 28,6 | 11 | 14 | 17,8 | -    | 34   | 41,2 | 29 | Type D                    | 0,33    |              |
| 30   | HCFB 206 | 663712  | 663892  | 138,6            | 81,3 | 97,9  | 52,4 | 47,6 | 31,7 | 11 | 14 | 20   | -    | 36,5 | 46,7 | 34 | Type D                    | 0,48    |              |
| 35   | HCFB 207 | 663722  | 663902  | 154,5            | 93,7 | 107,6 | 60,3 | 50,8 | 31,7 | 13 | 15 | 19,5 | -    | 38   | 48,9 | 39 | Type D                    | 0,65    |              |
| 40   | HCFB 208 | 601483  | 601603  | 164              | 100  | 114   | 60   | 50   | 31   | 13 | -  | 22   | -    | 36   | 54,7 | 44 | Type D                    | 0,92    |              |

Item code for order = B0000 + Code  
 Packaging: 6 pieces.

Best Seller

Standard

On request



# Take-up bearing units

UCT/C - HCT/C



## Waterproof housing

### Grub screws or eccentric collar shaft locking

#### PA FV polyamide housing

High mechanical and heat resistance. Proof to dust, humidity, washouts, steam, average aggressive chemical agents.

#### PP FV polypropylene housing

Proof to highly aggressive chemical agents. Inferior loading ability.

## Material

### PA FV polyamide housing

- Housing in reinforced polyamide PA FV resin (black)
- Protection cover in polypropylene PP (orange)
- Seal and O-Ring in NBR rubber (black)
- Ball type nickel plated brass greasing nipple
- Threaded insert in nickel plated brass.

### PP FV polypropylene housing

- Housing in reinforced polypropylene PP FV resin (white)
- Protection cover in polypropylene PP (orange)
- Seal and O-Ring in NBR rubber (black).  
On request supplied in Viton rubber (brown).  
Viton material offers high resistance to chemical agents
- Ball type stainless steel AISI 316 greasing nipple
- Threaded insert in nickel plated brass.

## Continuous operating temperature

in air: - 20 to + 60°C.

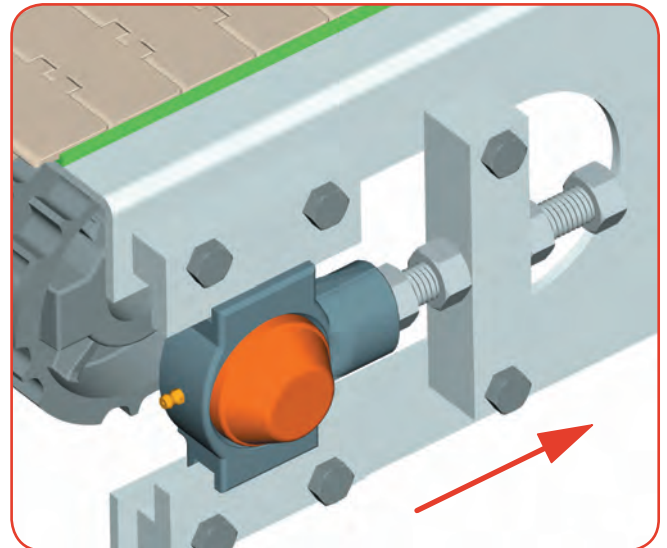
## Maximum allowed misalignment: 2°.

## Bearing



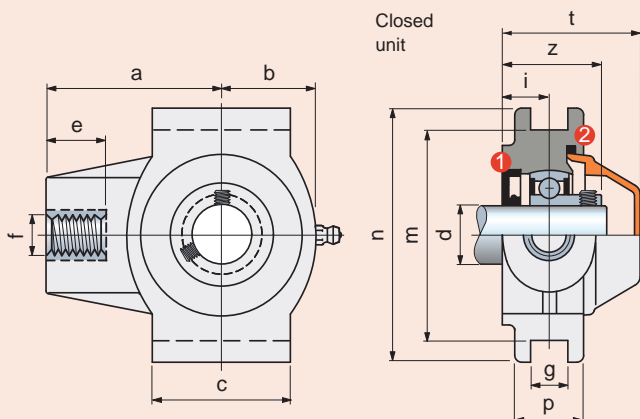
- Type A (grub screws shaft locking)
- Type A (eccentric collar shaft locking)
- Chrome alloy steel
- Superagriseal unit
- Prelubricated with lithium / calcium grease
- Can be relubricated.

## Assembly

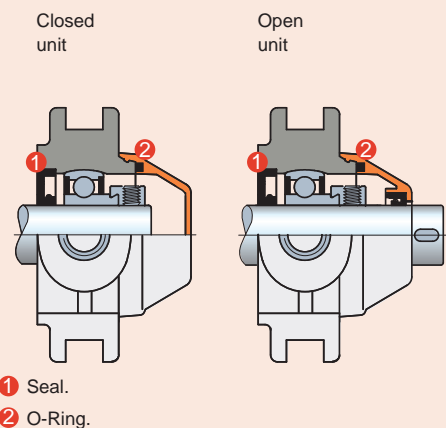


Working load allowed only in this direction.

### • Series UCT/C • Type A Grub screws shaft locking



### • Series HCT/C • Type D Eccentric collar shaft locking



| dia.<br>d<br>mm                                     | Series    | Housing material   |  | Dimensions in mm |      |    |    |     |      |      |      |     |    |      |    | Bearing | Weight<br>Kg | Spare parts<br>Cover<br>orange |
|---|-----------|--|--|------------------|------|----|----|-----|------|------|------|-----|----|------|----|---------|--------------|--------------------------------|
|   |           | Polyamide<br>PA FV<br>Flange<br>(black)<br>Cover<br>(orange) | Polypropylene<br>PP FV<br>Flange<br>(white)<br>Cover<br>(orange) | a                | b    | c  | e  | f   | g    | i    | m    | n   | p  | z    | t  |         |              | Code                           |
| <b>Grub screws shaft locking • Closed unit</b>      |           |  |  |                  |      |    |    |     |      |      |      |     |    |      |    |         |              |                                |
| 20  | UCT 204 C | 666952   | 677592   | 63,5             | 34   | 50 | 28 | M16 | 13,5 | 17   | 76,2 | 92  | 25 | 35   | 50 | Type A  | 0,33         | 681862                         |
| 25  | UCT 205 C | 666962   | 677602   | 68,5             | 39,5 | 50 | 28 | M20 | 13,5 | 17   | 76,2 | 92  | 25 | 36,5 | 52 | Type A  | 0,39         | 681872                         |
| 30  | UCT 206 C | 666972   | 677612   | 77               | 48   | 57 | 28 | M24 | 13,5 | 18,5 | 89   | 104 | 28 | 40,5 | 55 | Type A  | 0,50         | 667812                         |
| <b>Grub screws shaft locking • Open unit</b>        |           |  |  |                  |      |    |    |     |      |      |      |     |    |      |    |         |              |                                |
| 20  | UCT 204 C | 666982   | 677622   | 63,5             | 34   | 50 | 28 | M16 | 13,5 | 17   | 76,2 | 92  | 25 | 35   | 50 | Type A  | 0,33         | 681882                         |
| 25  | UCT 205 C | 666992   | 677632   | 68,5             | 39,5 | 50 | 28 | M20 | 13,5 | 17   | 76,2 | 92  | 25 | 36,5 | 52 | Type A  | 0,39         | 681892                         |
| 30  | UCT 206 C | 667002   | 677642   | 77               | 48   | 57 | 28 | M24 | 13,5 | 18,5 | 89   | 104 | 28 | 40,5 | 55 | Type A  | 0,50         | 667932                         |
| <b>Eccentric collar shaft locking • Closed unit</b> |           |  |  |                  |      |    |    |     |      |      |      |     |    |      |    |         |              |                                |
| 20  | HCT 204 C | 667012   | 677652   | 63,5             | 34   | 50 | 28 | M16 | 13,5 | 17   | 76,2 | 92  | 25 | 40,4 | 57 | Type D  | 0,36         | 681942                         |
| 25  | HCT 205 C | 667022   | 677662   | 68,5             | 39,5 | 50 | 28 | M20 | 13,5 | 17   | 76,2 | 92  | 25 | 40,4 | 58 | Type D  | 0,42         | 681952                         |
| 30  | HCT 206 C | 667032   | 677672   | 77               | 48   | 57 | 28 | M24 | 13,5 | 18,5 | 89   | 104 | 28 | 45,2 | 62 | Type D  | 0,53         | 63154                          |
| <b>Eccentric collar shaft locking • Open unit</b>   |           |  |  |                  |      |    |    |     |      |      |      |     |    |      |    |         |              |                                |
| 20  | HCT 204 C | 667042   | 677682   | 63,5             | 34   | 50 | 28 | M16 | 13,5 | 17   | 76,2 | 92  | 25 | 40,4 | 57 | Type D  | 0,36         | 681962                         |
| 25  | HCT 205 C | 667052   | 677692   | 68,5             | 39,5 | 50 | 28 | M20 | 13,5 | 17   | 76,2 | 92  | 25 | 40,4 | 58 | Type D  | 0,42         | 681972                         |
| 30  | HCT 206 C | 667062   | 677702   | 77               | 48   | 57 | 28 | M24 | 13,5 | 18,5 | 89   | 104 | 28 | 45,2 | 62 | Type D  | 0,53         | 69965                          |

Item code for order = B0000 + Code

Packaging: 6 pieces.

● Best Seller

● Standard

● On request

# Take-up bearing units

## UCT - HCT



Accessories

**Material**

**PA FV polyamide housing**

- Housing in reinforced polyamide PA FV resin (black)
- Ball type nickel plated brass greasing nipple
- Threaded insert in nickel plated brass.

**PP FV polypropylene housing**

- Housing in reinforced polypropylene PP FV resin (white)
- Bearing in stainless steel AISI 420
- Ball type stainless steel AISI 316 greasing nipple
- Threaded insert in nickel plated brass.

**Continuous operating temperature**

in air: - 20 to + 60°C.

**Maximum allowed misalignment: 2°.**

**Bearing**

- Type B (grub screws shaft locking, chrome alloy steel, Superagriseal unit plus centrifuging ring)
- Type C (grub screws shaft locking, stainless steel AISI 420, Superagriseal unit plus rubberised centrifuging ring)
- Type A (grub screws shaft locking, chrome alloy steel, Superagriseal unit)
- Type D (eccentric collar shaft locking, chrome alloy steel, Superagriseal unit)
- Prelubricated with lithium / calcium grease
- Can be relubricated.

**Grub screws or eccentric collar shaft locking**

**Version with bearing YAR 2F**

The double ring guarantees maximum protection against dust and non-corrosive substances.

**Version with stainless steel bearing YAR 2RF**

AISI 420 stainless steel bearing with 2 rubberised rings, provides excellent seal against humidity, steams, liquids, medium corrosive chemical agents. Maximum load ability is inferior.

**Version with bearing YAT**

The rubberised ring guarantees maximum protection against dusts.

**Material**

Polyamide PA FV guarantees maximum strength and high-temperature resistance. Polypropylene PP FV offers excellent resistance to chemical agents but inferior load ability.

**Protection covers (accessories)**

| dia.<br>d<br>mm | Accessories<br>Cover<br>orange |      | t<br>mm |  |
|-----------------|--------------------------------|------|---------|--|
|                 | Code                           | UCFL | HCFL    |  |

| Serie UCT Closed cover supplied with seals |        |    |   |  |
|--|--------|----|---|--|
| 20   | 681862 | 50 | - |  |
| 25   | 681872 | 52 | - |  |
| 30   | 667812 | 55 | - |  |

| Serie UCT Open cover supplied with seals |        |    |   |  |
|--|--------|----|---|--|
| 20                                       | 681882 | 50 | - |  |
| 25                                       | 681892 | 52 | - |  |
| 30                                       | 667932 | 55 | - |  |

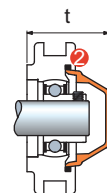
| Serie HCT Closed cover supplied with seals |        |   |    |  |
|--|--------|---|----|--|
| 20   | 681942 | - | 57 |  |
| 25   | 681952 | - | 58 |  |
| 30   | 63154  | - | 62 |  |

| Serie HCT Open cover supplied with seals |        |   |    |  |
|--|--------|---|----|--|
| 20                                       | 681962 | - | 57 |  |
| 25                                       | 681972 | - | 58 |  |
| 30                                       | 69965  | - | 62 |  |

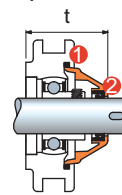
① Seals.

② Seals O-Ring.

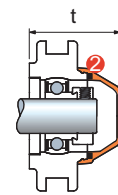
Series UCT  
Closed cover



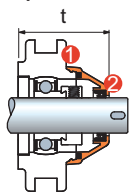
Series UCT  
Open cover



Series HCT  
Closed cover



Series HCT  
Open cover

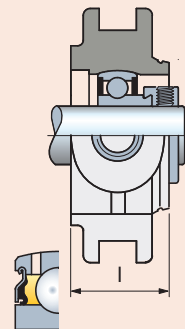
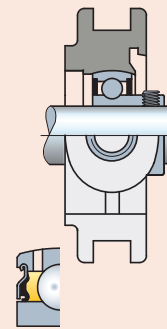
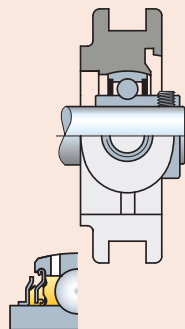
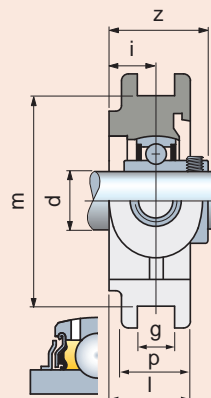
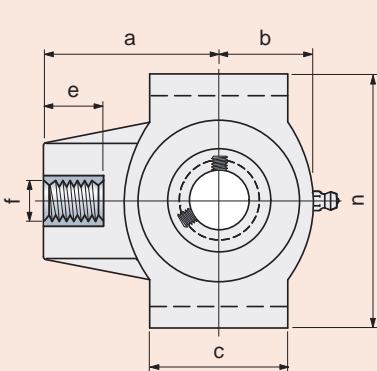


• Series UCT • Type B  
Grub screws shaft  
locking

• Series UCT • Type C  
Grub screws shaft  
locking

• Series UCT • Type A  
Grub screws shaft  
locking

• Series HCT • Type D  
Eccentric collar shaft  
locking

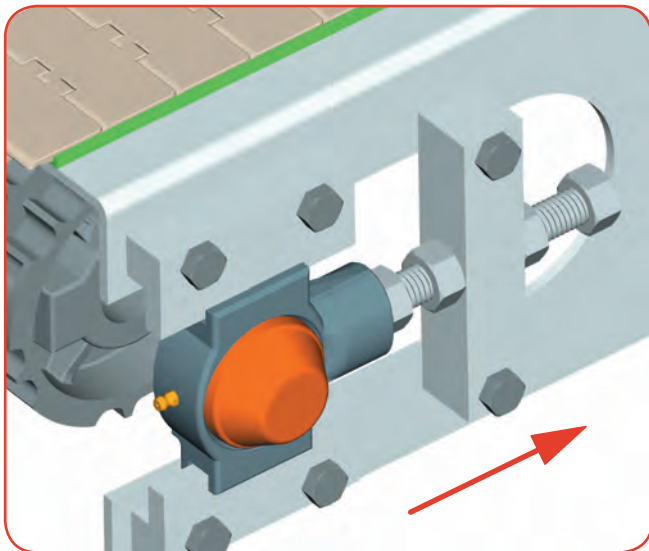


| dia.<br>d<br>mm  | Series  | Housing material                        |   | Dimensions in mm |      |    |    |     |      |      |      |      |     |    |      |        | Bearing | Weight<br>Kg |
|--|---------|---|---|------------------|------|----|----|-----|------|------|------|------|-----|----|------|--------|---------|--------------|
|  |         | Polyamide<br>PA FV<br>Flange<br>(black) | Polypropylene<br>PP FV<br>Flange<br>(white) | a                | b    | c  | e  | f   | g    | i    | l    | m    | n   | p  | z    |        |         |              |
| <b>Grub screws shaft locking • Version with bearing Type B</b>                 |         |   |   |                  |      |    |    |     |      |      |      |      |     |    |      |        |         |              |
| 20   | UCT 204 | 667672                                  | -   | 63,5             | 34   | 50 | 28 | M16 | 13,5 | 17   | 29,5 | 76,2 | 92  | 25 | 35,3 | Type B | 0,31    |              |
| 25   | UCT 205 | 667682                                  | -   | 68,5             | 39,5 | 50 | 28 | M20 | 13,5 | 17   | 29,5 | 76,2 | 92  | 25 | 36,7 | Type B | 0,37    |              |
| 30   | UCT 206 | 667692                                  | -   | 77               | 48   | 57 | 28 | M24 | 13,5 | 18,5 | 32,5 | 89   | 104 | 28 | 40,7 | Type B | 0,48    |              |
| <b>Grub screws shaft locking • Version with stainless steel bearing Type C</b> |         |   |   |                  |      |    |    |     |      |      |      |      |     |    |      |        |         |              |
| 20   | UCT 204 | 667702                                  | 667762                                      | 63,5             | 34   | 50 | 28 | M16 | 13,5 | 17   | 29,5 | 76,2 | 92  | 25 | 35,3 | Type C | 0,31    |              |
| 25   | UCT 205 | 667712                                  | 667772                                      | 68,5             | 39,5 | 50 | 28 | M20 | 13,5 | 17   | 29,5 | 76,2 | 92  | 25 | 36,8 | Type C | 0,37    |              |
| 30   | UCT 206 | 667722                                  | 667782                                      | 77               | 48   | 57 | 28 | M24 | 13,5 | 18,5 | 32,5 | 89   | 104 | 28 | 40,7 | Type C | 0,48    |              |
| <b>Grub screws shaft locking • Version with bearing Type A</b>                 |         |   |   |                  |      |    |    |     |      |      |      |      |     |    |      |        |         |              |
| 20   | UCT 204 | 667432                                  | 667522                                      | 63,5             | 34   | 50 | 28 | M16 | 13,5 | 17   | 29,5 | 76,2 | 92  | 25 | 35   | Type A | 0,31    |              |
| 25   | UCT 205 | 667442                                  | 667532                                      | 68,5             | 39,5 | 50 | 28 | M20 | 13,5 | 17   | 29,5 | 76,2 | 92  | 25 | 36,5 | Type A | 0,37    |              |
| 30   | UCT 206 | 667452                                  | 667542                                      | 77               | 48   | 57 | 28 | M24 | 13,5 | 18,5 | 32,5 | 89   | 104 | 28 | 40,5 | Type A | 0,48    |              |
| <b>Eccentric collar shaft locking • Version with bearing Type D</b>            |         |   |   |                  |      |    |    |     |      |      |      |      |     |    |      |        |         |              |
| 20   | HCT 204 | 667552                                  | 667642                                      | 63,5             | 34   | 50 | 28 | M16 | 13,5 | 17   | 35,5 | 76,2 | 92  | 25 | 40,4 | Type D | 0,34    |              |
| 25   | HCT 205 | 667562                                  | 667652                                      | 68,5             | 39,5 | 50 | 28 | M20 | 13,5 | 17   | 35,5 | 76,2 | 92  | 25 | 40,4 | Type D | 0,40    |              |
| 30   | HCT 206 | 667572                                  | 667662                                      | 77               | 48   | 57 | 28 | M24 | 13,5 | 18,5 | 38,5 | 89   | 104 | 28 | 45,2 | Type D | 0,51    |              |

Item code for order = B0000 + Code

Packaging: 6 pieces.

**Assembly**



Working load allowed only in this direction.

● Best Seller

● Standard

● On request

# Round flange bearing units

UCFC/C



## Waterproof housing

### Grub screws shaft locking

### PA FV polyamide housing

High mechanical and heat resistance. Proof to dust, humidity, washouts, steam, average aggressive chemical agents.

### PP FV polypropylene housing

Proof to highly aggressive chemical agents. Inferior loading ability.

## Material

### PA FV polyamide housing

- Housing in reinforced polyamide PA FV resin (black)
- Protection cover in polypropylene PP (orange)
- Seal and O-Ring in NBR rubber (black)
- Ball type nickel plated brass greasing nipple
- Reinforcing bushings on mounting holes and washers in stainless steel AISI 304

### PP FV polypropylene housing

- Housing in reinforced polypropylene PP FV resin (black)
- Protection cover in polypropylene PP (orange)
- Seal and O-Ring in NBR rubber (black).
- On request supplied in Viton rubber (brown).  
Viton material offers high resistance to chemical agents
- Ball type stainless steel AISI 316 greasing nipple
- Reinforcing bushings on mounting holes and washers in stainless steel AISI 316.

## Continuous operating temperature

in air: - 20 to + 60°C.

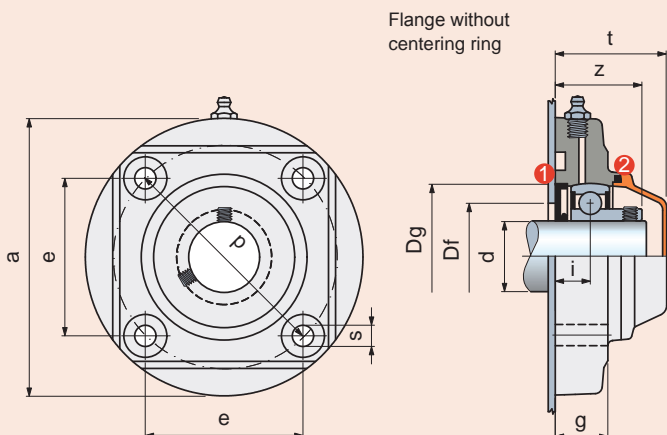
## Maximum allowed misalignment: 2°.

## Bearing

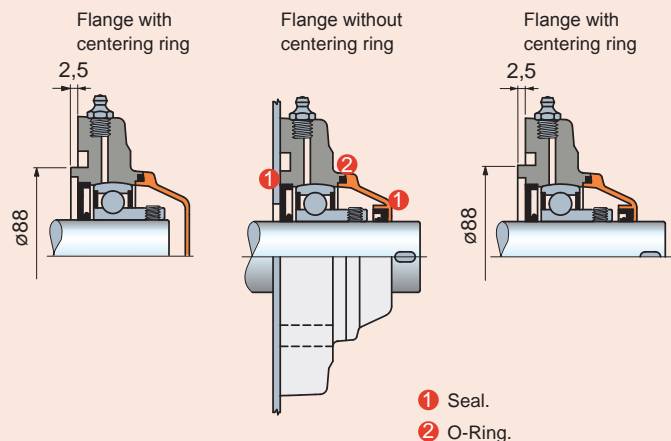


- Type A (grub screws shaft locking)
- Type D (eccentric collar shaft locking)
- Chrome alloy steel
- Superagriseal unit
- Prelubricated with lithium / calcium grease
- Can be relubricated.

## • Closed unit



## • Open unit



- 1 Seal.
- 2 O-Ring.

| dia.<br>d<br>mm    | Flange                 | Series     | Housing material  |   | Dimensions in mm |     |     |    |    |      |      |    |    |      | Bore in frame <sup>1)</sup><br>Df |        | Bearing | Weight<br>Kg | Spare parts<br>Cover<br>orange |
|--------------------|------------------------|------------|---|---|------------------|-----|-----|----|----|------|------|----|----|------|-----------------------------------|--------|---------|--------------|--------------------------------|
|                    |                        |            | Polyamide<br>PA FV<br>Standard Flange<br>(black)<br>Cover<br>(orange) | Polypropylene<br>PP FV<br>Standard Flange<br>(black)<br>Cover<br>(orange) | e                | a   | p   | s  | g  | i    | z    | t  | Dg | max. | min.                              | Code   |         |              |                                |
| <b>Closed unit</b> |                        |            |   |   |                  |     |     |    |    |      |      |    |    |      |                                   |        |         |              |                                |
| 35                 | Without centering ring | UCFC 207 C | 683921  | 681802  | 77,8             | 137 | 110 | 11 | 26 | 17,3 | 40,8 | 55 | 72 | 70   | 55                                | Type A | 0,75    | 603772       |                                |
|                    | With centering ring    | UCFC 207 C | 624772  | -   | 77,8             | 137 | 110 | 11 | 26 | 17,3 | 40,8 | 55 | 72 | -    | -                                 | Type A | 0,75    | 603772       |                                |
| <b>Open unit</b>   |                        |            |   |   |                  |     |     |    |    |      |      |    |    |      |                                   |        |         |              |                                |
| 35                 | Without centering ring | UCFC 207 C | 683931  | 681812  | 77,8             | 137 | 110 | 11 | 26 | 17,3 | 40,8 | 55 | 72 | 70   | 55                                | Type A | 0,75    | 603792       |                                |
|                    | With centering ring    | UCFC 207 C | 624782  | -   | 77,8             | 137 | 110 | 11 | 26 | 17,3 | 40,8 | 55 | 72 | -    | -                                 | Type A | 0,75    | 603792       |                                |

Item code for order = B0000 + Code

<sup>1)</sup> = Dimensions Df max / Df min must be respected to ensure positive retention of the seals and to allow air bleeding during lubrication.

Packaging: 6 pieces.

● Best Seller

● Standard

● On request

# Round flange bearing units

UCFC



Accessories

- **Material**  
**PA FV polyamide housing**
  - Housing in reinforced polyamide PA FV resin (black)
  - Ball type nickel plated brass greasing nipple
  - Reinforcing bushings on mounting holes and washers in stainless steel AISI 304.
- **Continuous operating temperature**  
 in air: - 20 to + 60°C.
- **Maximum allowed misalignment: 2°.**
- **Bearing**
  - Type B (grub screws shaft locking, chrome alloy steel, Superagriseal unit plus centrifuging ring)
  - Type C (grub screws shaft locking, stainless steel AISI 420, Superagriseal unit plus rubberised centrifuging ring)
  - Type A (grub screws shaft locking, chrome alloy steel, Superagriseal unit)
  - Prelubricated with lithium / calcium grease
  - Can be relubricated.

## Grub screws shaft locking

### Version with bearing Type B

The double ring guarantees maximum protection against dust and non-corrosive substances.

### Version with stainless steel bearing Type C

AISI 420 stainless steel bearing with 2 rubberised rings, provides excellent seal against humidity, steams, liquids, medium corrosive chemical agents. Maximum load ability is inferior.

### Version with bearing Type A

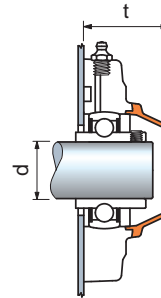
The rubberised ring guarantees maximum protection against dusts.

### Material

Polyamide PA FV guarantees maximum strength and high-temperature resistance.

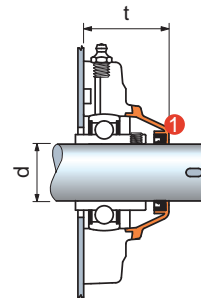
## Protection covers (accessories)

### Closed cover



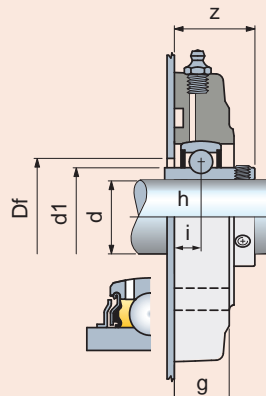
| dia.<br>d<br>mm                            | Accessories             | t<br>mm |
|--|-------------------------|---------|
|  | Cover<br>orange<br>Code |         |
| <b>Closed cover</b> supplied without seals |                         |         |
| 35   | 63232                   | 50      |
| <b>Open cover</b> supplied with seals      |                         |         |
| 35   | 604042                  | 50      |

### Open cover

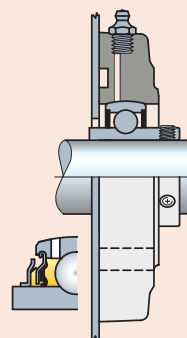


1 Seals.

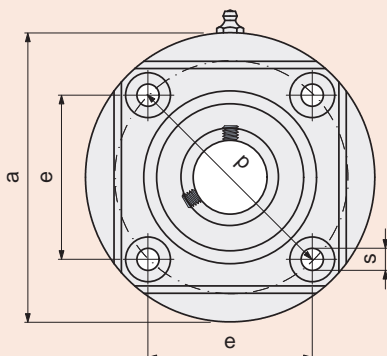
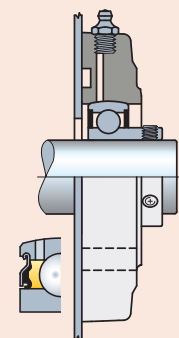
Version with bearing **Type B**



Version with bearing **Type C**



Version with bearing **Type A**



| dia.<br>d<br>mm                                    | Series   | Housing material                                 |      | Dimensions in mm |     |    |    |      |      |      |      |    | Bore in<br>frame<br>Df<br>mm | Bearing | Weight<br>Kg |
|--|----------|--|------|------------------|-----|----|----|------|------|------|------|----|------------------------------|---------|--------------|
|  |          | Polyamide<br>PA FV<br>Standard Flange<br>(black) | Code | e                | a   | p  | s  | g    | i    | h    | z    | d1 |                              |         |              |
| <b>Version with bearing Type B</b>                 |          |  |      |                  |     |    |    |      |      |      |      |    |                              |         |              |
| 35   | UCFC 207 | 60752  | 77,8 | 137              | 110 | 11 | 26 | 12,3 | 17,5 | 37,7 | 46,1 | 50 | Type B                       | 0,75    |              |
| <b>Version with stainless steel bearing Type C</b> |          |  |      |                  |     |    |    |      |      |      |      |    |                              |         |              |
| 35   | UCFC 207 | 646652   | 77,8 | 137              | 110 | 11 | 26 | 12,3 | 17,5 | 37,7 | 46,1 | 50 | Type C                       | 0,75    |              |
| <b>Version with bearing Type A</b>                 |          |  |      |                  |     |    |    |      |      |      |      |    |                              |         |              |
| 35   | UCFC 207 | 681822   | 77,8 | 137              | 110 | 11 | 26 | 17,3 | 17,5 | 40,8 | 46,1 | 50 | Type A                       | 0,75    |              |

Item code for order = B0000 + Code

Packaging: 6 pieces.

 Best Seller

 Standard

 On request



# Round flange bearing units

FC



## Waterproof housing

### Shaft shoulders locking

High axial load capacity.

### PA FV polyamide housing

High mechanical and heat resistance. Proof to dust, humidity, washouts, steam, average aggressive chemical agents.

### PP FV polypropylene housing

Proof to highly aggressive chemical agents. Inferior loading ability.

## Material

### PA FV polyamide housing

- Housing in reinforced polyamide PA FV resin (black)
- Seal and O-Ring in NBR rubber (black)
- Ball type nickel plated brass greasing nipple
- Reinforcing bushings on mounting holes and washers in stainless steel AISI 304.

### PP FV polypropylene housing

- Housing in reinforced polypropylene PP FV resin (black)
- Seal and O-Ring in NBR rubber (black).
- On request supplied in Viton rubber (brown).
- Viton material offers high resistance to chemical agents.
- Ball type stainless steel AISI 316 greasing nipple
- Reinforcing bushings on mounting holes and washers in stainless steel AISI 316.

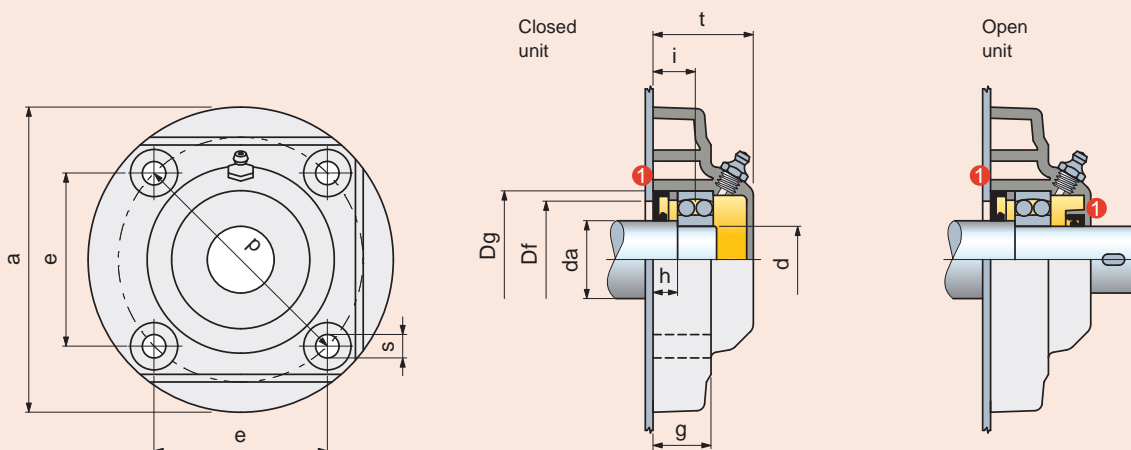
## Continuous operating temperature

in air: - 20 to + 60°C.

## Maximum allowed misalignment: 2°.

## Bearing

- Type 1200 self aligning ball bearing
- Chrome alloy steel
- Supplied without grease
- To be prelubricated with lithium / calcium grease during first installation.



1 Seal.

| Shaft<br>dia.<br>da<br>mm | Bearing<br>dia.<br>d<br>mm | Series  | Housing material                                 |  | Dimensions in mm |     |     |    |    |    |    |    |    |      |      | Bore in<br>frame <sup>1)</sup><br>Df |      | Bearing | Weight<br>Kg |
|---------------------------|----------------------------|---------|--|--|------------------|-----|-----|----|----|----|----|----|----|------|------|--------------------------------------|------|---------|--------------|
|                           |                            |         | Polyamide<br>PA FV<br>Standard Flange<br>(black) | Polypropylene<br>PP FV<br>Standard Flange<br>(black) | e                | a   | p   | s  | g  | i  | h  | t  | Dg | max. | min. |                                      |      |         |              |
| <b>Closed unit</b>        |                            |         |  |  |                  |     |     |    |    |    |    |    |    |      |      |                                      |      |         |              |
| 35                        | 30                         | FC 1206 | 65801  | 681842   | 77,8             | 137 | 110 | 11 | 26 | 19 | 11 | 45 | 62 | 60   | 52   | Type 1200                            | 0,57 |         |              |
| <b>Open unit</b>          |                            |         |  |  |                  |     |     |    |    |    |    |    |    |      |      |                                      |      |         |              |
| 35                        | 30                         | FC 1206 | 65891  | 681852   | 77,8             | 137 | 110 | 11 | 26 | 19 | 11 | 45 | 62 | 60   | 52   | Type 1200                            | 0,57 |         |              |

Item code for order = B0000 + Code

<sup>1)</sup> = Dimensions Df max / Df min must be respected to ensure positive retention of the seals and to allow air bleeding during lubrication.

Packaging: 6 pieces.

 Best Seller

 Standard

 On request

# Round flange bearing units

SBF



## Stainless steel AISI 304 flange

### Stainless steel bearing Type C

AISI 420 stainless steel bearing with 2 rubberised rings, provides excellent seal against humidity, steams, liquids, medium corrosive chemical agents.

### Load capacity

The pressed steel flanged support is suitable for light duties.

#### Material

Pressed stainless steel AISI 304 flanges.

#### Continuous operating temperature

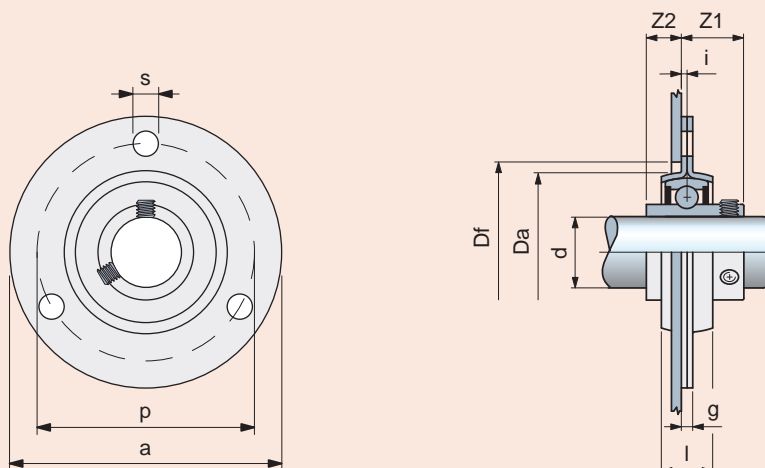
in air: - 20 to + 60°C.

#### Maximum allowed misalignment: 5°.

#### Bearing



- Type C (grub screws shaft locking)
- stainless steel AISI 420
- Superagriseal unit plus rubberised centrifuging ring
- Prelubricated with lithium / calcium grease
- Can be relubricated.



| dia.<br>d<br>mm | Series  | Housing material            |      | Dimensions in mm |     |   |   |    |      |      |    |    | Bore in<br>frame<br>Df<br>mm | Bearing | Weight<br>Kg |
|-----------------|---------|-----------------------------|------|------------------|-----|---|---|----|------|------|----|----|------------------------------|---------|--------------|
|                 |         | Stainless Steel<br>AISI 304 | Code | p                | a   | s | g | i  | l    | Z1   | Z2 | Da |                              |         |              |
| 35              | SBF 205 | 604562                      | 76   | 95               | 8,7 | 4 | 2 | 18 | 21,8 | 12,3 | 56 | 60 | Type C                       | 0,35    |              |

Item code for order = B0000 + Code

Packaging: 4 pieces.

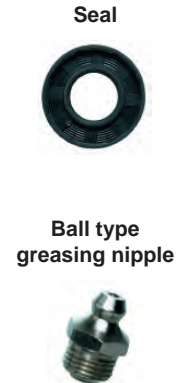
 Best Seller

 Standard

 On request

# Spare parts

UCF/C - SUCF/C - HCF/C - SHCF/C - UCF/CL - SUCF/CL - HCF/CL - SHCF/CL - UCF - SUCF - HCF - SHCF - UCFS/C - SUCFS/C - HCFS/C - SHCFS/C - UCFL/C  
SUCFL/C - HCFL/C - SHCFL/C - UCFL/CL - SUCFL/CL - HCFL/CL - SHCFL/CL - UCFL - SUCFL - HCFL - SHCFL - UCFLS/C - SUCFLS/C - HCFLS/C - SHCFLS/C



| dia. d<br>mm                     | Housing material                              |  |
|----------------------------------|---|--|
|                                  | Polyamide PA FV<br>Standard Flange<br>(black) | Polypropylene PP FV<br>Solid Flange<br>(white) |
|                                  | Code  |  |
| <b>Seal</b>                      |   |  |
| 17                               | 696152  | 696152   |
| 20                               | 632151  | 632151   |
| 25                               | 608941  | 608941   |
| 30                               | 68416   | 68416  |
| 35                               | 641111  | 641111   |
| 40                               | 632141  | 632141   |
| 40*                              | 603622  | 603622   |
| 45*                              | 686832  | 686832   |
| 50*                              | 686842  | 686842   |
| <b>Ball type greasing nipple</b> |   |  |
|                                  | 64437   | 63617  |

\* = Version with special fixing holes.  
Material: seal in NBR rubber (black).  
Ball type nickel plated brass greasing nipple for PA FV version, ball type stainless steel AISI 316 for PP FV version.

F - SF - FL - FC



| dia. d<br>mm                     | Housing material                              |   |
|----------------------------------|---|---|
|                                  | Polyamide PA FV<br>Standard Flange<br>(black) | Polypropylene PP FV<br>Standard Flange<br>(black) |
|                                  | Code  |   |
| <b>Seal</b>                      |   |   |
| 25                               | 603642  | 603642  |
| 30                               | 603662  | 603662  |
| 35                               | 603682  | 603682  |
| 40                               | 603702  | 603702  |
| 45                               | 603722  | 603722  |
| 45*                              | 603742  | 603742  |
| <b>Ball type greasing nipple</b> |   |   |
|                                  | 64437   | 63617   |

\* = Version with special fixing holes.  
Material: seal in NBR rubber (black).  
Ball type nickel plated brass greasing nipple for PA FV version, ball type stainless steel AISI 316 for PP FV version.

SUCFN/T - SHCFN/T - SUCFN/TL - SHCFN/TL - UCFN/C - SUCFN/C - HCFN/C - SHCFN/C - UCFN/CL - SUCFN/CL - HCFN/CL - SHCFN/CL - UCFN - SUCFN  
HCFN - SHCFN - UCFX/T - SUCFX/T - HCFX/T - SHCFX/T - UCFLN/C - SUCFLN/C - HCFLN/C - SHCFLN/C - UCFLN/CL - SUCFLN/CL - HCFLN/CL - SHCFLN/CL  
UCFLN - SUCFLN - HCFLN - SHCFLN - UCPA/C - HCPA/C - UCPA - HCPA - UCFC/B - HCFC/B - UCFC - HCFC - UCT/C - HCT/C - UCT - HCT



| dia. d<br>mm                     | Housing material                              |  |
|----------------------------------|---|--|
|                                  | Polyamide PA FV<br>Standard Flange<br>(black) | Polypropylene PP FV<br>Solid Flange<br>(white) |
|                                  | Code  |  |
| <b>Seal</b>                      |   |  |
| 17                               | 696152  | 696152   |
| 20                               | 632151  | 632151   |
| 25                               | 608941  | 608941   |
| 30                               | 68416   | 68416  |
| 35                               | 641111  | 641111   |
| 40                               | 632141  | 632141   |
| <b>Ball type greasing nipple</b> |   |  |
|                                  | 665422  | 63617  |

Material: seal in NBR rubber (black).  
Ball type nickel plated brass greasing nipple for PA FV version, ball type stainless steel AISI 316 for PP FV version.

# Technical information

## Bearing unit max. static load

B68

## Bearings

- Bearings with grub screw locking system B72
- Bearings with self locking eccentric collar B72
- Seals B73
- Maximum velocities B73
- Axial load capacities B73
- Self aligning ball bearings, holding by shoulders on shaft B73

## Calculation data

- Definition of bearing dimensions B74
- Calculation method for self-aligning bearings B74
- Life B74
- Life expectation calculation B74
- Equivalent dynamic load calculation B75
- Static load capacity control B76
- Equivalent static load calculation B76

## Lubrication

- Prelubrication B77
- Lubrication grease B77
- Relubrication B77
- Relubrication intervals B77

## Grease life in bearings lubricated for life

- Formula to calculate grease life B78
- Diagram 1 grease nominal life B78
- Diagram 2 correction factor B79
- Example of calculation B79

## Shaft tolerances

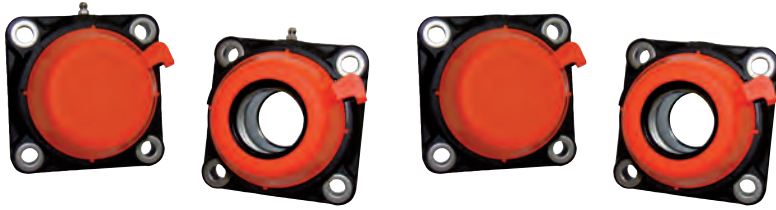
- Shaft tolerances for bearings with grub screws or eccentric collar locking system B80
- Shaft tolerances for bearings with shoulders type holding system B80



## Mounting

- Mounting recommendations B81
- Bearing locking by grub screws B81
- Bearing locking by eccentric collar B81
- Installation/removal of covers B81

# Bearing unit max. static load

SUCFN/T - SHCFN/T - SUCFN/TL - SHCFN/TL





| Shaft dia.<br>d<br>mm |  |            |  |            |
|-----------------------|---|------------|---|------------|
|                       | PA FV<br>N  | PP FV<br>N | PA FV<br>N  | PP FV<br>N |
| 30                    | 19550   | 13800      | 20700   | 11500      |
| 35*                   | 19550   | 13800      | 20700   | 11500      |
| 40*                   | 19550   | 13800      | 20700   | 11500      |

\* = Version with special fixing holes

UCFN/C - SUCFN/C - HCFN/C - SHCFN/C - UCFU/CL - SUCFU/CL  
HCFU/CL - SHCFU/CL - UCFN - SUCFN - HCFN - SHCFN





| Shaft dia.<br>d<br>mm |  |            |  |            |
|-----------------------|---|------------|---|------------|
|                       | PA FV<br>N  | PP FV<br>N | PA FV<br>N  | PP FV<br>N |
| 30                    | 19550   | 13800      | 20700   | 11500      |
| 35*                   | 19550   | 13800      | 20700   | 11500      |
| 40*                   | 19550   | 13800      | 20700   | 11500      |

\* = Version with special fixing holes

UCF/C - SUCF/C - HCF/C - SHCF/C - UCF/CL - SUCF/CL  
HCF/CL - SHCF/CL - UCF - SUCF - HCF - SHCF





| Shaft dia.<br>d<br>mm |  |            |  |            |
|-----------------------|---|------------|---|------------|
|                       | PA FV<br>N  | PP FV<br>N | PA FV<br>N  | PP FV<br>N |
| 25                    | 19550   | 13800      | 20700   | 11500      |
| 30                    | 19550   | 13800      | 20700   | 11500      |
| 35                    | 20700   | 13800      | 25300   | 13800      |
| 35*                   | 19550   | 13800      | 20700   | 11500      |
| 40                    | 20700   | 14375      | 25300   | 13800      |
| 40*                   | 19550   | 13800      | 20700   | 11500      |
| 45*                   | 32000   | 24000      | 35000   | 26000      |
| 50*                   | 32000   | 24000      | 35000   | 26000      |

\* = Version with special fixing holes

UCFS/C - SUCFS/C - HCFS/C - SHCFS/C






| Shaft dia.<br>d<br>mm |  |            |  |            |
|-----------------------|---|------------|---|------------|
|                       | PA FV<br>N  | PP FV<br>N | PA FV<br>N  | PP FV<br>N |
| 30                    | 20700   | 25300      |   |            |
| 35*                   | 20700   | 25300      |   |            |
| 40*                   | 20700   | 25300      |   |            |

\* = Version with special fixing holes

F - SF



| Shaft dia.<br>d<br>mm |  |            |  |            |  |            |
|-----------------------|---|------------|---|------------|---|------------|
|                       | PA FV<br>N  | PP FV<br>N | PA FV<br>N  | PP FV<br>N | PA FV<br>N  | PP FV<br>N |
| 30                    | 21850   | 16100      | 17250   | 13800      | 8050  | 5750       |
| 35                    | 21850   | 16100      | 17250   | 13800      | 18400   | 10350      |
| 40                    | 21850   | 17250      | 17250   | 13800      | 19550   | 13800      |
| 40*                   | 21850   | 16100      | 17250   | 13800      | 18400   | 10350      |
| 45                    | 23000   | 17250      | 18400   | 14350      | 19550   | 13800      |
| 45*                   | 21850   | 16100      | 17250   | 13800      | 18400   | 10350      |

\* = Version with special fixing holes

# Bearing unit max. static load

UCFLN/C - SUCFLN/C - HCFLN/C - SHCFLN/C  
 UCFLN/CL - SUCFLN/CL - HCFLN/CL - SHCFLN/CL



| Shaft dia.<br>d<br>mm |            |            |            |            |
|-----------------------|------------|------------|------------|------------|
|                       | PA FV<br>N | PP FV<br>N | PA FV<br>N | PP FV<br>N |
| 17                    | 9775       | 6325       | 9775       | 6900       |
| 20*                   | 9775       | 6325       | 9775       | 6900       |
| 25*                   | 10925      | 7475       | 11500      | 7475       |
| 30                    | 14950      | 9200       | 14375      | 11500      |
| 30*                   | 14950      | 9200       | 14375      | 11500      |

\* = Version with special fixing holes

UCFLN - SUCFLN - HCFLN - SHCFLN



| Shaft dia.<br>d<br>mm |            |            |            |            |
|-----------------------|------------|------------|------------|------------|
|                       | PA FV<br>N | PP FV<br>N | PA FV<br>N | PP FV<br>N |
| 17                    | 9775       | 6325       | 9775       | 6900       |
| 20*                   | 9775       | 6325       | 9775       | 6900       |
| 25*                   | 10925      | 7475       | 11500      | 7475       |
| 30                    | 14950      | 9200       | 14375      | 11500      |
| 30*                   | 14950      | 9200       | 14375      | 11500      |

\* = Version with special fixing holes

UCFL/C - SUCFL/C - HCFL/C - SHCFL/C - UCFL/CL - SUCFL/CL  
 HCFL/CL - SHCFL/CL - UCFL - SUCFL - HCFL - SHCFL



| Shaft dia.<br>d<br>mm |            |            |            |            |
|-----------------------|------------|------------|------------|------------|
|                       | PA FV<br>N | PP FV<br>N | PA FV<br>N | PP FV<br>N |
| 17                    | 9775       | 6325       | 9775       | 6900       |
| 20                    | 9775       | 6325       | 9775       | 6900       |
| 25                    | 10925      | 7475       | 11500      | 7475       |
| 25*                   | 10925      | 7475       | 11500      | 7475       |
| 30                    | 14950      | 9200       | 14375      | 11500      |
| 30*                   | 14950      | 9200       | 14375      | 11500      |
| 35                    | 14950      | 9200       | 13225      | 10925      |
| 35*                   | 14950      | 9200       | 14375      | 11500      |
| 40                    | 14950      | 9775       | 14950      | 10925      |
| 40*                   | 14950      | 9200       | 14375      | 11500      |

\* = Version with special fixing holes

UCFLS/C - SUCFLS/C - HCFLS/C - SHCFLS/C



| Shaft dia.<br>d<br>mm |            |            |            |            |
|-----------------------|------------|------------|------------|------------|
|                       | PA FV<br>N | PP FV<br>N | PA FV<br>N | PP FV<br>N |
| 30                    | 14950      | 14375      |            |            |
| 35*                   | 14950      | 13225      |            |            |
| 40*                   | 14950      | 14950      |            |            |

\* = Version with special fixing holes

FL




| Shaft dia.<br>d<br>mm |            |            |            |            |            |            |
|-----------------------|------------|------------|------------|------------|------------|------------|
|                       | PA FV<br>N | PP FV<br>N | PA FV<br>N | PP FV<br>N | PA FV<br>N | PP FV<br>N |
| 25                    | 9200       | 6900       | 11500      | 8625       | 12650      | 5750       |
| 30                    | 11500      | 6900       | 12650      | 9200       | 13800      | 5750       |
| 35                    | 11500      | 9200       | 12650      | 9200       | 9200       | 4600       |
| 40                    | 12650      | 9200       | 12650      | 9200       | 13800      | 6900       |
| 45                    | 12650      | 9200       | 13800      | 9775       | 17250      | 12650      |



# Bearing unit max. static load




UCFX/T - SUCFX/T - HCFX/T- SHCFX/T



| Shaft dia.<br>d<br>mm |  |            |
|-----------------------|---|------------|
|                       | PA FV<br>N  | PA FV<br>N |
| 30                    | 45000   | 45000      |
| 35                    | 45000   | 45000      |
| 40                    | 45000   | 45000      |





UCP/C - HCP/C - UCP - HCP



| Shaft dia.<br>d<br>mm |  |            |  |            |  |            |
|-----------------------|---|------------|---|------------|---|------------|
|                       | PA FV<br>N  | PP FV<br>N | PA FV<br>N  | PP FV<br>N | PA FV<br>N  | PP FV<br>N |
| 20                    | 4600  | 2070       | 20700   | 5750       | 5750  | 3450       |
| 25                    | 6900  | 2070       | 20700   | 5750       | 6900  | 3450       |
| 30                    | 8050  | 2300       | 28750   | 8050       | 9200  | 4600       |
| 35                    | 9200  | 2530       | 31050   | 8625       | 11500   | 4830       |
| 40                    | 9200  | 2530       | 31050   | 8625       | 11500   | 4830       |



UCPA/C - HCPA/C - UCPA - HCPA



| Shaft dia.<br>d<br>mm |  |            |  |            |  |            |  |            |
|-----------------------|---|------------|---|------------|---|------------|---|------------|
|                       | PA FV<br>N  | PP FV<br>N | PA FV<br>N  | PP FV<br>N | PA FV<br>N  | PP FV<br>N | PA FV<br>N  | PP FV<br>N |
| 17                    | 2500  | 1500       | 8000  | 3750       | 1500  | 1100       | 1250  | 1000       |
| 20                    | 2500  | 1700       | 6750  | 4300       | 2300  | 1200       | 1100  | 750        |
| 25                    | 3000  | 1700       | 10500   | 5200       | 2600  | 1750       | 1100  | 900        |


UCFB/C - HCFB/C - UCFB - HCFB



| Shaft dia.<br>d<br>mm |  |            |  |            |
|-----------------------|---|------------|---|------------|
|                       | PA FV<br>N  | PP FV<br>N | PA FV<br>N  | PP FV<br>N |
| 20                    | 3000  | 1700       | 1000  | 650        |
| 25                    | 3500  | 2000       | 1000  | 650        |
| 30                    | 3500  | 2000       | 1000  | 650        |
| 35                    | 4000  | 2500       | 1000  | 650        |
| 40                    | 5200  | 3000       | 1000  | 650        |

UCT/C - HCT/C - UCT - HCT





| Shaft dia.<br>d<br>mm |  |
|-----------------------|---|
|                       | PA FV<br>N  |
| 20                    | 16000   |
| 25                    | 24000   |
| 30                    | 27000   |

# Bearing unit max. static load




## UCFC/C - UCFC



| Shaft<br>dia.<br>d<br>mm |  |            |  |            |
|--------------------------|---|------------|---|------------|
|                          | PA FV<br>N  | PP FV<br>N | PA FV<br>N  | PP FV<br>N |
| 35                       | 19550   | 12650      | 23000   | 11500      |

## FC



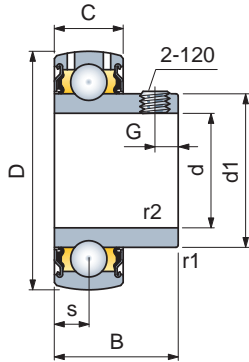
| Shaft<br>dia.<br>d<br>mm |  |            |  |            |  |            |
|--------------------------|---|------------|---|------------|---|------------|
|                          | PA FV<br>N  | PP FV<br>N | PA FV<br>N  | PP FV<br>N | PA FV<br>N  | PP FV<br>N |
| 35                       | 17250   | 11500      | 17250   | 11500      | 23000   | 12650      |

# Bearings

## ■ Bearings with grub screw locking system

Prelubricated with long lasting lithium/calcium grease • Can be rilubricated

Type A



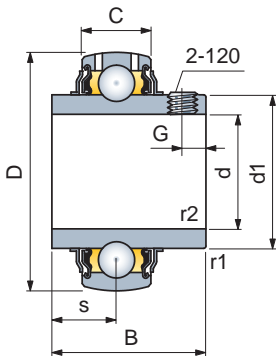
| d<br>mm | Dimensions in mm |    |      |    |      |     |                              | r1, r2<br>min. | Grub<br>screws | Load coefficient |      | Weight<br>Kg |
|---------|------------------|----|------|----|------|-----|------------------------------|----------------|----------------|------------------|------|--------------|
|         | d1               | D  | B    | C  | s    | G   | dyn. <sup>1)</sup><br>C<br>N |                |                | stat.<br>Co<br>N |      |              |
| 17      | 24,6             | 40 | 22   | 12 | 6    | 4   | 0,3                          | M5x0,8         | 9500           | 4750             | 0,07 |              |
| 20      | 29               | 47 | 25   | 14 | 7    | 5   | 0,6                          | M6x1           | 12700          | 6550             | 0,11 |              |
| 25      | 34               | 52 | 27   | 15 | 7,5  | 5,5 | 0,6                          | M6x1           | 14000          | 7800             | 0,14 |              |
| 30      | 40,3             | 62 | 30   | 16 | 8    | 6   | 0,6                          | M6x1           | 19500          | 11200            | 0,23 |              |
| 35      | 48               | 72 | 32   | 17 | 8,5  | 6,5 | 1                            | M6x1           | 25500          | 15300            | 0,31 |              |
| 40      | 53               | 80 | 34   | 18 | 9    | 7   | 1                            | M8x1           | 30700          | 19000            | 0,43 |              |
| 45      | 57,2             | 85 | 41,2 | 19 | 10,2 | 8,2 | 1                            | M8x1           | 33200          | 21600            | 0,48 |              |
| 50      | 61,8             | 90 | 43,5 | 20 | 10,9 | 9,2 | 1                            | M8x1           | 35100          | 23200            | 0,54 |              |

Chrome alloy steel.

<sup>1)</sup> = Values are valid for applications with ≤ h 6 shaft tolerance.

Time 0.77 values must be considered in all other cases.

Type B



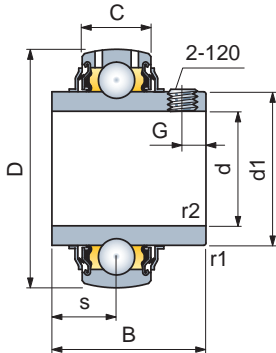
| d<br>mm | Dimensions in mm |    |      |    |      |     |                              | r1, r2<br>min. | Grub<br>screws | Load coefficient |      | Weight<br>Kg |
|---------|------------------|----|------|----|------|-----|------------------------------|----------------|----------------|------------------|------|--------------|
|         | d1               | D  | B    | C  | s    | G   | dyn. <sup>1)</sup><br>C<br>N |                |                | stat.<br>Co<br>N |      |              |
| 17      | 24,2             | 40 | 27,4 | 12 | 11,5 | 3,5 | 0,3                          | M6x0,75        | 9500           | 4750             | 0,09 |              |
| 20      | 29               | 47 | 31   | 16 | 12,7 | 4,7 | 0,6                          | M6x1           | 12700          | 6550             | 0,14 |              |
| 25      | 34               | 52 | 34,1 | 17 | 14,3 | 5,5 | 0,6                          | M6x1           | 14000          | 7800             | 0,17 |              |
| 30      | 40,3             | 62 | 38,1 | 19 | 15,9 | 5,5 | 0,6                          | M6x1           | 19500          | 11200            | 0,28 |              |
| 35      | 48               | 72 | 42,9 | 20 | 17,5 | 6,5 | 1                            | M8x1           | 25500          | 15300            | 0,41 |              |
| 40      | 53               | 80 | 49,2 | 21 | 19   | 8   | 1                            | M8x1           | 30700          | 19000            | 0,55 |              |
| 45      | 57,2             | 85 | 49,2 | 22 | 19   | 8   | 1                            | M8x1           | 33200          | 21600            | 0,60 |              |
| 50      | 61,8             | 90 | 51,6 | 23 | 19   | 9   | 1                            | M10x1          | 35100          | 23200            | 0,69 |              |

Chrome alloy steel.

<sup>1)</sup> = Values are valid for applications with ≤ h 6 shaft tolerance.

Time 0.77 values must be considered in all other cases.

Type C stainless steel



| d<br>mm | Dimensions in mm |    |      |    |      |   |                              | r1, r2<br>min. | Grub<br>screws | Load coefficient |      | Weight<br>Kg |
|---------|------------------|----|------|----|------|---|------------------------------|----------------|----------------|------------------|------|--------------|
|         | d1               | D  | B    | C  | s    | G | dyn. <sup>1)</sup><br>C<br>N |                |                | stat.<br>Co<br>N |      |              |
| 20      | 29               | 47 | 31   | 17 | 12,7 | 5 | 0,6                          | M6x1           | 10800          | 6550             | 0,14 |              |
| 25      | 34               | 52 | 34,1 | 17 | 14,3 | 5 | 0,6                          | M6x1           | 11900          | 7800             | 0,18 |              |
| 30      | 40,3             | 62 | 38,1 | 19 | 15,9 | 6 | 0,6                          | M6x1           | 16250          | 11200            | 0,29 |              |
| 35      | 48               | 72 | 42,9 | 20 | 17,5 | 6 | 1                            | M6x1           | 21600          | 15300            | 0,42 |              |
| 40      | 53               | 80 | 49,2 | 21 | 19   | 8 | 1                            | M8x1           | 26000          | 19000            | 0,56 |              |

Stainless steel AISI 420.

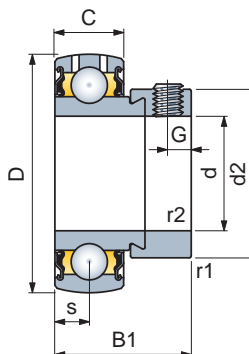
<sup>1)</sup> = Values are valid for applications with ≤ h 6 shaft tolerance.

Time 0.77 values must be considered in all other cases.

## ■ Bearings with self locking eccentric collar

Prelubricated with long lasting lithium/calcium grease • Can be rilubricated • Higher resistance to vibrations • Suitable for single directional travel (cannot reverse the sense of rotation) • Locking of the bearing is achieved by rotating the eccentric collar. The grub screw holds the collar and avoids rotation.

Type D



| d<br>mm | Dimensions in mm |    |      |    |     |      |                              | r1, r2<br>min. | Grub<br>screws | Load coefficient |      | Weight<br>Kg |
|---------|------------------|----|------|----|-----|------|------------------------------|----------------|----------------|------------------|------|--------------|
|         | d2               | D  | B1   | C  | s   | G    | dyn. <sup>1)</sup><br>C<br>N |                |                | stat.<br>Co<br>N |      |              |
| 17      | 28,6             | 40 | 28,6 | 12 | 6,5 | 4,75 | 0,3                          | M6x0,75        | 9500           | 4750             | 0,10 |              |
| 20      | 33,3             | 47 | 30,9 | 14 | 7,5 | 5    | 0,6                          | M6x1           | 12700          | 6550             | 0,16 |              |
| 25      | 38,1             | 52 | 30,9 | 15 | 7,5 | 5    | 0,6                          | M6x1           | 14000          | 7800             | 0,18 |              |
| 30      | 44,5             | 62 | 35,7 | 16 | 9   | 6    | 0,6                          | M6x1           | 19500          | 11200            | 0,30 |              |
| 35      | 51,9             | 72 | 38,9 | 17 | 9,5 | 6,5  | 1                            | M8x1           | 25500          | 15300            | 0,49 |              |
| 40      | 60,3             | 80 | 43,7 | 18 | 11  | 6,5  | 1                            | M8x1           | 30700          | 19000            | 0,62 |              |
| 45      | 63,5             | 85 | 43,7 | 19 | 11  | 6,5  | 1                            | M8x1           | 33200          | 21600            | 0,65 |              |
| 50      | 69,9             | 90 | 43,7 | 20 | 11  | 6,5  | 1                            | M8x1           | 35100          | 23200            | 0,70 |              |

Chrome alloy steel.

<sup>1)</sup> = Values are valid for applications with ≤ h 6 shaft tolerance.

Time 0.77 values must be considered in all other cases.

# Bearings

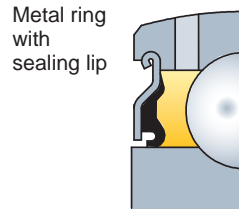
## Seals

**Type A - D.** The system consists of a metallic ring fitted with a low friction rubber sealing lip.

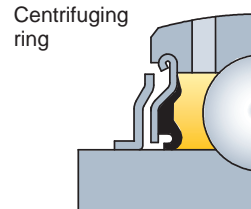
**Type B.** The system is further equipped with a metallic protection ring providing a centrifugal sealing action.

**Type C inox.** The upper lip of the centrifuging ring together with the grease trapped between the base seal and the ring it self guarantees maximum sealing capacity.

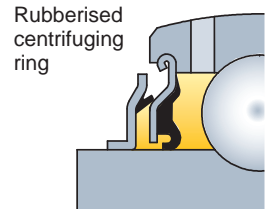
Type A - D



Type B



Type C Inox



## Maximum velocities

The table indicates the values for **A, D, B** series bearings • Stainless steel bearings of the **C** Type (rubberised centrifuging ring) must not be operated at velocities in excess of 60% of the values indicated • The maximum velocity is dependant of the shaft tolerances. Higher tolerances require lower speed

| Int. dia. bearing<br>d<br>mm | Shaft tolerance |      |      |      |     |
|------------------------------|-----------------|------|------|------|-----|
|                              | h6              | h7   | h8   | h9   | h11 |
|                              | Speed (RPM)     |      |      |      |     |
| 17                           | 9500            | 6000 | 4300 | 1500 | 950 |
| 20                           | 8500            | 5300 | 3800 | 1300 | 850 |
| 25                           | 7000            | 4500 | 3200 | 1000 | 700 |
| 30                           | 6300            | 4000 | 2800 | 900  | 630 |
| 35                           | 5300            | 3400 | 2200 | 750  | 530 |
| 40                           | 4800            | 3000 | 1900 | 670  | 480 |
| 45                           | 4300            | 2600 | 1700 | 600  | 430 |
| 50                           | 4000            | 2400 | 1600 | 560  | 400 |

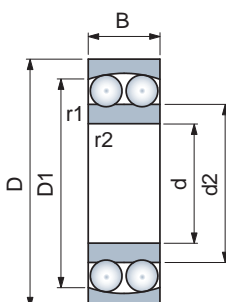
## Axial load capacities

The bearing locking systems by grub screws/eccentric collars, allow axial loads up to 20% of the dynamic load coefficient (only with non hardened shafts and grub screws tightened as recommended) • For bearings of the **A, D, B, C**, series it is not recommended to exceed the value of: 0,25•C

## Self aligning ball bearing holding by shoulders on shaft

The bearings have double row of balls running on a spherical outer race This configuration renders the bearing self aligning • The bearings are supplied without sealing units • They are held into position by shoulders on the shaft.

### Type 1200



| d<br>mm | Bearing<br>type | Dimensions in mm |    |      |      |                | Load coefficient |                  | Revolutions<br>RPM | Weight<br>Kg |
|---------|-----------------|------------------|----|------|------|----------------|------------------|------------------|--------------------|--------------|
|         |                 | D                | B  | d2   | D1   | r1, r2<br>min. | dyn.<br>C<br>N   | stat.<br>Co<br>N |                    |              |
| 20      | 1204            | 47               | 14 | 28,9 | 41   | 1              | 12700            | 3400             | 15000              | 0,12         |
| 25      | 1205            | 52               | 15 | 33,3 | 45,6 | 1              | 14300            | 4000             | 13000              | 0,14         |
| 30      | 1206            | 62               | 16 | 40,1 | 53   | 1              | 15600            | 4650             | 10000              | 0,22         |
| 35      | 1207            | 72               | 17 | 47   | 62,3 | 1,1            | 19000            | 6000             | 9000               | 0,32         |
| 40      | 1208            | 80               | 18 | 53,6 | 68,8 | 1,1            | 19900            | 6950             | 8500               | 0,42         |

# Calculation data

## ■ Bearing dimensioning

The bearing dimensions, for a given application, should be chosen on the basis of the loads to be supported, expected service life and reliability. In most cases the reason for choosing a bearing is the fact that the shaft has already been sized during the design of the plant.

## ■ Calculation procedures for self-aligning bearings

The calculation procedure for self-aligning bearings consists in ensuring a satisfactory operating life of the unit:

- 1) The nominal service life is calculated using the formulas indicated below, keeping in mind the type of stress on the bearing (dynamic or static).
- 2) The nominal life of the bearing should reflect the expected service life of the plant as indicated in Table 1 hereunder.

## ■ Service life

The dimensioning of the bearing requires the knowledge of the appropriate life expectancy of the project in relation to the specific application. This depends on the type of plant, daily/yearly working hours and on the required reliability. In the absence of practical experience Table 1 gives our recommendations of the average expected plant life under various conditions.

**Table 1** - Recommended plant expected life  $L_{10h}$  for MB support bearings

| Plant type   | Plant expected life $L_{10h}$ hours |
|--|-------------------------------------|
| Seasonal Operation plants                                  | 4000 ÷ 8000                         |
| Daily operated plant, 8 hours/day, not completely utilised | 10000 ÷ 20000                       |
| Daily operated plant, 8 hours/day, completely utilised     | 20000 ÷ 30000                       |
| Daily operated plant, 24 hours/day                         | 40000 ÷ 80000                       |

### Dynamically stressed bearings

Bearings which rotate under load are considered dynamically stressed (one ring of the bearing makes one full rotation against the other). In most cases, self-aligning supports are dynamically stressed.

## ■ Expected life calculation formula

The service life of a bearing is expressed in the number of revolutions or hours of operations which can be expected without breakdown (erosion or laminations of the bearing revolving parts).

The calculating procedure for nominal duration is valid whatever the type of bearing:

$$L_{10} = \left(\frac{C}{P}\right)^3 \text{ Life in Millions revolutions.}$$

When bearings rotate at constant speed it is more practical to calculate the life in number of hours:

$$L_{10h} = \frac{1666}{n} \cdot \left(\frac{C}{P}\right)^3 \text{ Life in hours.}$$

$L_{10}$  = life in millions of revolutions.

$L_{10h}$  = life in hours.

$C$  = dynamic load coefficient (N). Values are indicated in the support dimensional tables.

$P$  = equivalent dynamic load (N). See calculation formula on Table 2.

$n$  = revolutions (RPM).

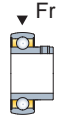
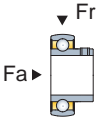
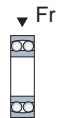
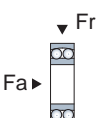
## ■ Correct expected life

In the majority of cases, for self aligning MB bearings, it is sufficient to calculate  $L_{10}$ ,  $L_{10h}$  using the formula indicated above. The new theory of life calculation permits to establish the correct life expectancy keeping into consideration the effects of lubrication, pollution of solid particles and of the fatigue limit load  $P_u$  (values are reported in the bearing tables). The calculation of the correct expected life requires therefore the assistance of the technical commercial staff.

# Calculation data

## Equivalent dynamic load P calculation

**Table 2** - Equivalent dynamic load P calculation

| Bearing Type     | Load direction on the bearing  | Equivalent dynamic load P (N) calculation formula  |
|------------------|--|--|
| A<br>B<br>C<br>D |   | $P = Fr$   |
|                  |   | $P = X \cdot Fr + Y \cdot Fa$  |
| 1200             |   | $P = Fr$   |
|                  |  | $P = Fr + Y1 \cdot Fa$ with $\frac{Fa}{Fr} \leq e1$<br>$P = 0,65 \cdot Fr + Y2 \cdot Fa$ with $\frac{Fa}{Fr} > e1$ |

- P** = equivalent dynamic load (N).
- Fr** = radial load acting on the bearing (N).
- Fa** = axial load acting on the bearing (N).
- x, Y** = load factors. See Table 3.
- e1, Y1, Y2** = factors. See Table 4.

**Table 3** - Load factors x, y

| Ratio $\frac{Fa}{Co}$ | e    | With: $\frac{Fa}{Fr} \leq e$ |   | With: $\frac{Fa}{Fr} > e$ |     |
|-----------------------|------|------------------------------|---|---------------------------|-----|
|                       |      | x                            | y | x                         | y   |
| 0,025                 | 0,22 | 1                            | 0 | 0,56                      | 2   |
| 0,04                  | 0,24 | 1                            | 0 | 0,56                      | 1,8 |
| 0,07                  | 0,27 | 1                            | 0 | 0,56                      | 1,6 |
| 0,13                  | 0,31 | 1                            | 0 | 0,56                      | 1,4 |
| 0,25                  | 0,37 | 1                            | 0 | 0,56                      | 1,2 |
| 0,5                   | 0,44 | 1                            | 0 | 0,56                      | 1   |

**Table 4** - Factors e1, Y1, Y2, Yo

| Int. dia. bearing mm | e1   | Y1  | Y2  | Yo  |
|----------------------|------|-----|-----|-----|
| 20                   | 0,30 | 2,1 | 3,3 | 2,2 |
| 25                   | 0,28 | 2,2 | 3,5 | 2,5 |
| 30                   | 0,25 | 2,5 | 3,9 | 2,5 |
| 35                   | 0,23 | 2,7 | 4,2 | 2,8 |
| 40                   | 0,22 | 2,9 | 4,5 | 2,8 |

Co = Static load coefficient (N).  
The values are indicated in the support dimensional tables.

## Operating conditions coefficients

It should be common practice to include operational factors when calculating bearing dimensions to allow for load variations which may happen during running of the plant. The coefficients given here under are indicative only and are based on actual operational experience.

- With steady loads/light impacts: multiply the equivalent dynamic load P by: 1,2 ÷ 1,5
- With loads and medium impacts: multiply the equivalent dynamic load P by: 1,7 ÷ 2,0

# Calculation data

## Static load capacity control

### Statically stressed bearings

In rolling-contact bearing technology the condition of static load is considered to exist when:

- The bearing does not rotate and is subjected to permanent loads or intermittent ones (impacts).
- The bearing is subjected to loads and slow oscillating movements.
- The bearing rotates under load at a very low speed and for short periods.
- The bearing rotates under load and must withstand strong impacts acting in the course of one revolution.

The static safety coefficient  $f_s$  must not exceed the recommended values given in Table 5 in order to obtain a satisfactory performance of the bearings. Coefficient  $f_s$  gives the safety margin against excessive permanent deformation of the revolving parts of the bearing.

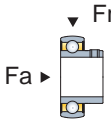
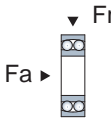
$$f_s = \frac{C_o}{P_o}$$

$f_s$  = static safety coefficient.  
 $C_o$  = static load coefficient (N). The values are given in the support dimensional tables.  
 $P_o$  = equivalent static load (N). See calculation formula given below.

**Table 5** - Static safety coefficient  $f_s$  for MB bearings

| Type of operation                  | Revolving bearings        |                              |                           | Non revolving bearings |
|------------------------------------|---------------------------|------------------------------|---------------------------|------------------------|
|                                    | Noise level not important | Normal noise level operation | Low noise level operation |                        |
| Smooth operation without vibration | 5                         | 1                            | 2                         | 0,4                    |
| Normal operation                   | 0,5                       | 1                            | 2                         | 0,5                    |
| Impact loads operation             | $\geq 1,5$                | $\geq 1,5$                   | $\geq 2$                  | $\geq 1$               |

## Equivalent static load $P_o$ calculation

| Bearing type     | Load direction on the bearing   | Equivalent dynamic load P (N) calculation formula                               |
|------------------|---|---|
| A<br>B<br>C<br>D |  | $P_o = 0,6 \cdot Fr + 0,5 \cdot Fa$<br>If $P_o < Fr$ , then assume $P_o = Fr$ . |
| 1200             |  | $P_o = Fr + Y_o \cdot Fa$   |

$P_o$  = equivalent static load (N).  
 $Fr$  = radial load on the bearing (N).  
 $Fa$  = axial load on the bearing (N).  
 $Y_o$  = see table 4.

# Lubrication

## ■ Prelubrication

All self-aligning bearings are supplied factory lubricated.

### Warning

The first lubrication must be carried out only for bearings of the series FL - F - FC held by the shaft shoulders.

## ■ Lubricating grease

Bearings are prelubricated with long lasting lithium/calcium grease.

|                |                         |                                |
|----------------|-------------------------|--------------------------------|
| Technical data | NLGI consistency:       | 2                              |
|                | Emulsifier:             | lithium/calcium                |
|                | Base oil:               | mineral                        |
|                | Base oil viscosity:     | 165 mm <sup>2</sup> /s at 40°C |
|                | Operating temperature:  | - 20°C to +120°C               |
|                | Water resistance:       | Recommended                    |
|                | Antioxidant properties: | Recommended                    |

## ■ Relubrication

All self-aligning bearing units are equipped with a grease nipple of the ball type to allow periodical relubrication of the bearing.

### Warning

- Do not grease at first assembly.
- The first lubrication must be carried out only for bearings of the series FL - F - FC held by the shaft shoulders.
- Stainless steel pressed metal supports of the series SBF are not relubricatable.
- Use only grease of same characteristics as indicated.
- Clean greasing nipple before each greasing operation.
- Inject grease slowly until it comes out from the bearing.  
Keep the bearing rotating and do not apply excessive pressure which could damage the sealing units.
- More frequent greasing operations with smaller quantities of grease are to be preferred.

## ■ Relubrication intervals

Relubrication intervals vary according to actual operating conditions.

Very often during operation, load, speed, temperature and ambient conditions (humidity, dust)

may vary making it difficult to establish exact rules.

Experience once again gives the best answer:

- Light operating conditions: relubricate every 6 months.
- Normal operating conditions: relubricate every 1÷3 months.
- Heavy operating conditions: relubricate every 2 weeks.



# Grease life in bearings lubricated for life

(dry use recommended)

■ **Formula to calculate grease life in bearings lubricated for life**

This procedure allows to calculate the grease life as a function of its quality and bearing type, dimension, rotating speed, applied loads and working temperature.

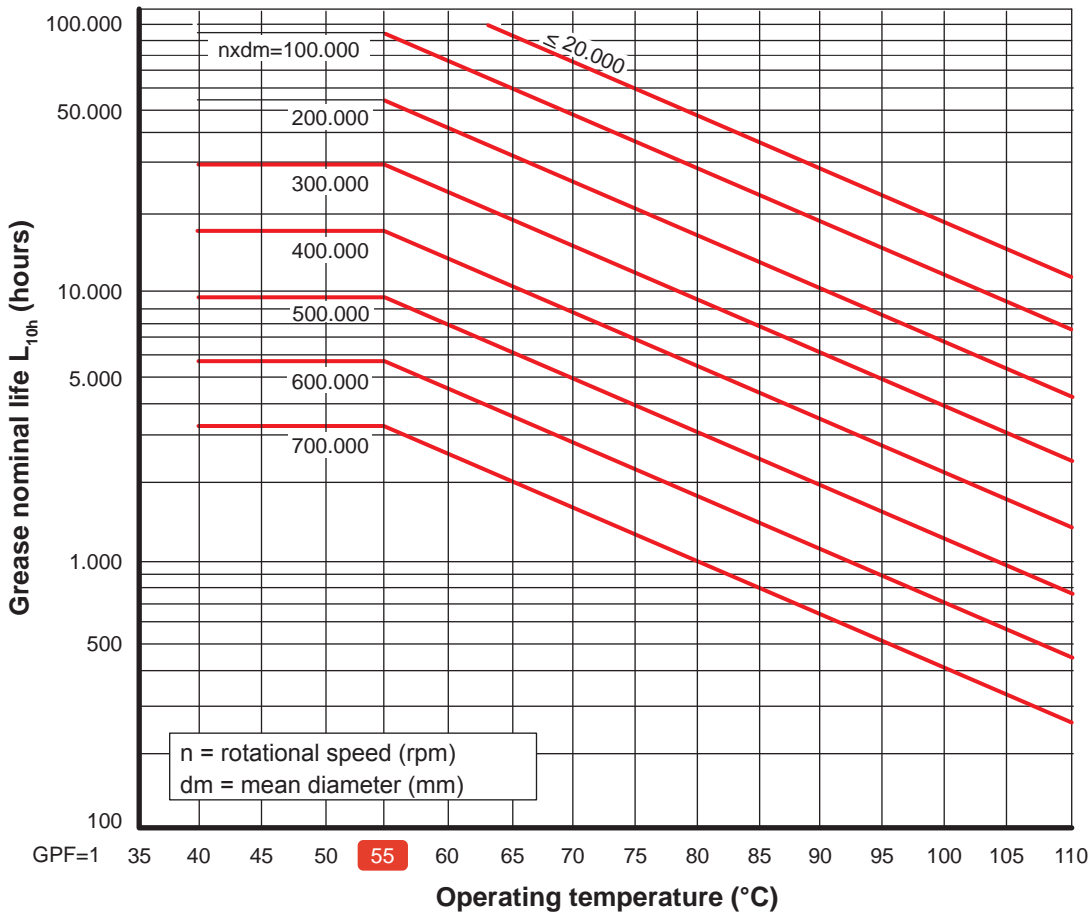
$$L_h = L_{10} \times F_c \text{ Grease life (hours)}$$

- $L_h$  = Grease life (hours).
- $L_{10h}$  = Grease nominal life (hours). See Diagram 1.
- $F_c$  = Correction factor. See Diagram 2.

■ **Diagram 1**

- Grease nominal life  $L_{10h}$

This diagram allows to determine the nominal grease life  $L_{10h}$  (hours), as a function of rotating speed  $n$  (rpm), mean diameter  $dm$  (mm), bearing working temperature ( $^{\circ}C$ ). Greases are classified by a factor GPF (Grease Performance Factor), related to their temperature performance. In this table we consider a grease with GPF = 1, which is the grease used in all Marbett LifeLube bearings.



**dm (mm) = mean diameter.**

**Type A**

**Type D**

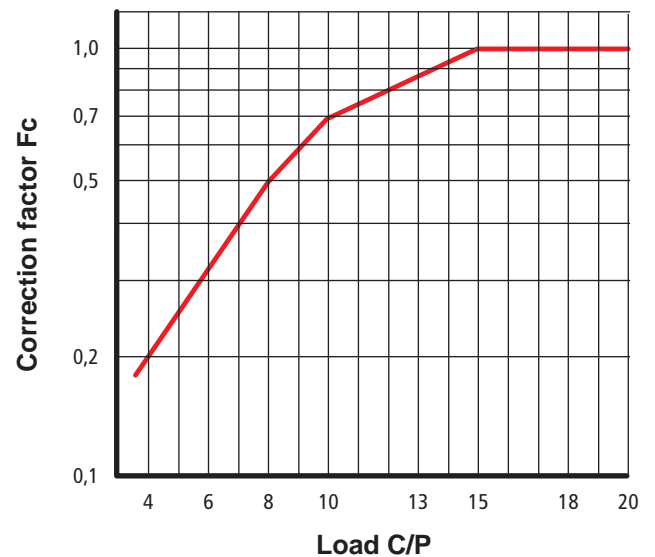
| dia. d mm | dia. dm mm |
|-----------|------------|
| 17        | 28,5       |
| 20        | 33,5       |
| 25        | 38,5       |
| 30        | 46         |
| 35        | 53,5       |
| 40        | 60         |
| 45        | 65         |
| 50        | 70         |

55 = At room temperature, with normal working conditions, the grease works at a temperature lower than 55°C.

# Grease life in bearings lubricated for life (dry use recommended)

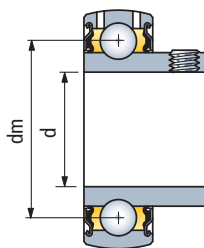
## ■ Diagram 2 - Correction factor $F_c$

The corrective factor  $F_c$ , keeps into consideration the influence of load applied on bearings as a function of load ratio  $C/P$ .  
With low loads ( $C/P \geq 15$ ) the duration of the grease is not influenced by load values.



**C** = Dynamic load coefficient (N).  
Values are indicated in the bearings dimensional tables.  
**P** = Equivalent dynamic load (N).  
See Table 2.

## ■ Example of calculation



Data:

- Bearing Type **A**.
- $d = 40$  mm (shaft dia.).
- $dm = 60$  mm. (bearing mean dia.).
- $n = 300$  rpm. (rotational speed).
- $55$  °C (grease operating temperature).
- $C = 23600$  N (Dynamic load coefficient).
- $P = 3000$  N (equivalent dynamic load).

- From Diagram 1, as a function of:  
 $n \times dm = 300 \text{ rpm} \times 60 \text{ mm} = 18000$   
we read a nominal grease life of:  
 $L_{10h} = 100000$  hours.

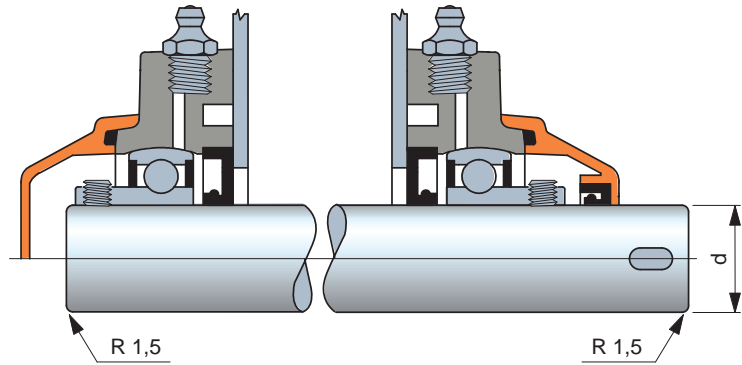
- From Diagram 2, as a function of:  
 $C/P = 23600 \text{ N} : 3000 \text{ N} = 7,8$   
we read a corrective factor of:  
 $F_c = 0,5$ .

- Calculation of estimated grease life:  
 $L_h = L_{10h} \times F_c = 100000 \text{ hours} \times 0,5 = 50000 \text{ hours}$ .

# Shaft tolerances

**Tolerances for grub screws/  
eccentric collar locked bearings**

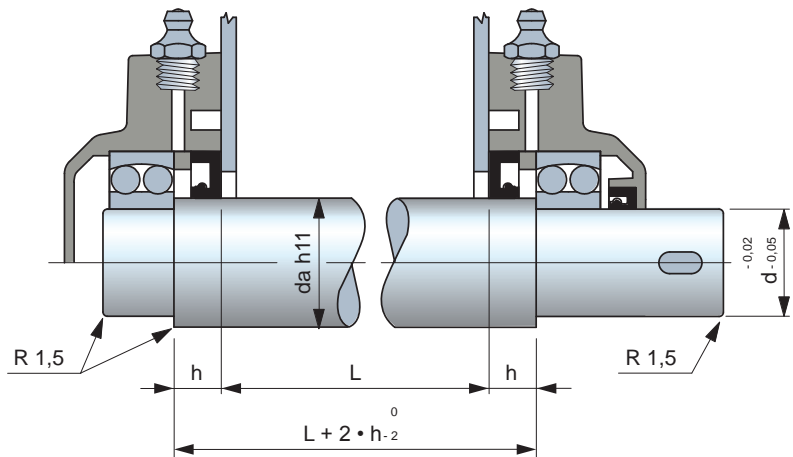
- The tables indicate shaft diameter tolerances.
- Shaft ends must be rounded off in order to:
  - ease assembly and avoid bearing jamming.
  - avoid damages to the rubber parts of the sealing units.
- The shaft surface for the portion in contact with the sealing gaskets must be smooth and free of defects (scratches etc.).



**ISO shaft tolerance**

| Shaft<br>dia.<br>d<br>mm | Heavy loads<br>High speed |      | Normal<br>operation |      | Light loads<br>Low speed |      | Simple applications |      |      |      |      |      |
|--------------------------|---------------------------|------|---------------------|------|--------------------------|------|---------------------|------|------|------|------|------|
|                          | h 6                       |      | h 7                 |      | h 8                      |      | h 9                 |      | h 10 |      | h 11 |      |
|                          | plus                      | min. | plus                | min. | plus                     | min. | plus                | min. | plus | min. | plus | min. |
| 17                       | 0                         | -11  | 0                   | -18  | 0                        | -27  | 0                   | -43  | 0    | -70  | 0    | -110 |
| 20 ÷ 30                  | 0                         | -13  | 0                   | -21  | 0                        | -33  | 0                   | -52  | 0    | -84  | 0    | -130 |
| 35 ÷ 50                  | 0                         | -16  | 0                   | -25  | 0                        | -39  | 0                   | -62  | 0    | -100 | 0    | -160 |

Tolerances in  $\mu\text{m}$



h values are given in the support dimensional tables

**Tolerances for shaft shoulders  
locked bearings**

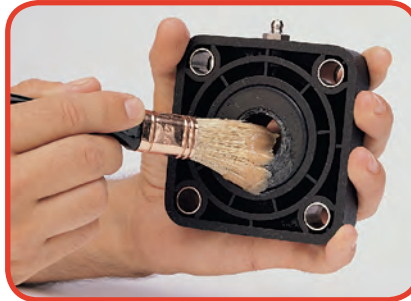
- Shaft ends must be rounded off in order to:
  - ease assembly and avoid bearing jamming.
  - avoid damages to the rubber parts of the sealing units.
- The shaft surface for the portion in contact with the sealing gaskets must be smooth and free of defects (scratches etc.).
- The mounting shaft/bearing is free to facilitate assembly.  
For heavy radial loads conditions it is recommended a slightly tight mounting.

# Mounting

## ■ Assembly instructions

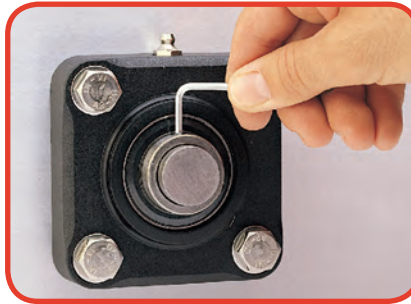
1 - With waterproof bearings the rubber sealing units must be greased before mounting to avoid initial dry running on the shaft. The grease must fill only the space in between the two sealing lips.

2 - The bearing must be locked onto the shaft after the support mounting flange has been fully tightened. This is necessary to allow the bearing to assume its correct alignment on the shaft without undue axial stresses. Always tighten the screws diagonally.



## ■ Locking of the bearing by grub screws

3 - The table gives the recommended maximum tightening couples for the grub screws and the size of the hexagonal to use.



| Int. dia. bearing mm | Sc. driver size mm |     |            | Max. tightening couple Nm |      |            |
|----------------------|--------------------|-----|------------|---------------------------|------|------------|
|                      | Bearings A A C     |     | Bearings D | Bearings A A C            |      | Bearings D |
|                      | A                  | A C | D          | A                         | A C  | D          |
| 17                   | 2,5                | 3   | 3          | 3,5                       | 4    | 4          |
| 20                   | 3                  | 3   | 3          | 4                         | 4    | 4          |
| 25                   | 3                  | 3   | 3          | 4                         | 4    | 4          |
| 30                   | 3                  | 3   | 3          | 4                         | 4    | 4          |
| 35                   | 3                  | 4   | 4          | 4                         | 6,5  | 6,5        |
| 40                   | 4                  | 4   | 4          | 6,5                       | 6,5  | 6,5        |
| 45                   | 4                  | 4   | 4          | 6,5                       | 6,5  | 6,5        |
| 50                   | 4                  | 5   | 4          | 6,5                       | 16,5 | 6,5        |

## ■ Locking of the bearings by eccentric collar

4 - Tighten the collar by turning it with a punch in the same direction as the rotation of the shaft.

5 - Hand tighten the grub screw. The screw driver dimension and the tightening couple are given in the table above (Ref. D series bearings).



## ■ Assembly / removal of the protection cover

6 - Assembly. The sealing unit of open end covers must be greased to avoid initial dry running on the shaft. The grease must fill only the space in between the two sealing lips.

7 - Removal. Insert a screw driver into the groove provided for and force the cover out.





| Resistance against chemical agents | POLYAMIDE PA | POLYPROPYLENE PP | POLYETHYLENE PE | ACETAL POM  | AISI 303 AISI 304 | AISI 316    | NICKEL PLATED BRASS | NBR RUBBER  | VITON RUBBER |
|------------------------------------|--------------|------------------|-----------------|-------------|-------------------|-------------|---------------------|-------------|--------------|
|                                    | Conc.% 23°C  | Conc.% 23°C      | Conc.% 23°C     | Conc.% 23°C | Conc.% 23°C       | Conc.% 23°C | Conc.% 23°C         | Conc.% 23°C | Conc.% 23°C  |
| PHENOL                             | -            | +                |                 |             | 10 +              | +           |                     | -           | +            |
| PHOSFORIC ACID                     | 10 -         | 85 +             | 95 +            | 10 -        | 10 -              | 50 /        | -                   | 20 /        | 85 +         |
| POTASSIUM HYDROXIDE                | 10 +         |                  |                 |             | 50 +              | 50 +        |                     | /           | +            |
| SEA WATER                          | +            | +                | +               | /           | +                 | +           | +                   | +           | +            |
| SILICONE OIL                       | +            | +                |                 |             |                   |             |                     | +           | +            |
| SILVER NITRATE                     | +            | 20 +             |                 |             | 60 /              |             |                     | /           | +            |
| SOAP AND WATER                     | +            | +                | +               | +           | +                 |             |                     | +           |              |
| SODIUM CARBONATE                   | 10 +         | Sat. +           | +               | +           | 5 +               | 100 +       |                     | +           | +            |
| SODIUM CHLORIDE                    | 10 +         | Sat. +           | +               | +           | 5 +               | /           | +                   | +           | Sat. +       |
| SODIUM HYDROXIDE                   | 10 +         | 30 +             | +               | 10 +        | -                 |             | +                   | /           |              |
| SODIUM HYPOCHLORITE                | +            | 20 +             | +               | -           | -                 |             |                     | -           | 5 +          |
| SODIUM SILICATE                    | +            |                  |                 |             | 100 +             | 100 +       |                     | +           |              |
| SODIUM SULPHATE                    | 10 +         | Sat. +           | +               | +           | 5 +               | 100 +       |                     | +           | +            |
| SOFT DRINKS                        | +            | +                | +               | +           | +                 |             | +                   | +           |              |
| SUDS                               | +            | +                |                 |             |                   |             |                     | +           | +            |
| SULPHURIC ACID                     | 10 -         | 98 +             | 40 /            | 40 -        | 10 -              | 100 +       | +                   | -           | 95 +         |
| TARTARIC ACID                      | +            | 10 +             | +               | 30 /        | 10 +              | 50 +        | -                   | +           | +            |
| TETRALINE                          | +            | -                |                 |             |                   |             |                     | -           | +            |
| TINCTURE OF IODINE                 | -            | +                | +               | +           |                   |             | -                   | /           |              |
| TRANSFORMER OIL                    | +            | /                |                 |             |                   |             |                     | +           | +            |
| TRICHLOROETHYLENE                  | /            | /                | +               | -           | +                 |             | +                   | -           | +            |
| TURPENTINE                         | /            | -                | -               | -           | +                 |             |                     | -           |              |
| VASELINE                           | +            | +                | /               | +           |                   |             |                     | +           | +            |
| VEGETABLE JUICES                   | +            | +                | +               | +           | +                 |             |                     | +           |              |
| VEGETABLE OILS                     | +            | +                | +               | +           | +                 |             |                     | +           |              |
| VINEGAR                            | +            | +                | +               | +           | +                 |             | +                   | /           | -            |
| WHISKY                             | +            | +                | +               | +           | +                 |             | +                   | +           | +            |
| WINE                               | +            | +                | +               | +           | +                 |             | +                   | +           | +            |
| XILOL                              | +            | -                | /               | +           | +                 |             | /                   | -           | +            |
| ZINC CHLORIDE                      | 10 /         | 20 +             |                 |             | 10 -              | /           |                     | +           | Sat. +       |

Abbreviations: Sat. = saturated.

## Legend..

- + = Good resistance.
- / = Fairly good resistance (limited use depending on working conditions).
- = Poor resistance (not recommended).
- N.B. Where tests have not been carried out the spaces are left blank.

## The data shown in this table..

are taken from laboratory tests, performed on unstrained test samples. It should be considered as purely indicative since material behaviour under real working conditions depends on different factors: temperature, concentration of the chemical agent, quick or long-lasting effect of the chemical agent.

## Operating temperatures

|                     |                                   | Operating temperatures (°C) |       |                        |
|---------------------|-----------------------------------|-----------------------------|-------|------------------------|
|                     |                                   | contact with air            |       | contact with hot water |
| Material            | Description                       | Min                         | Max   | Max                    |
| PA                  | Polyamid                          | 0                           | + 80  | + 65                   |
| PA FV               | Reinforced polyamid               | - 5                         | + 120 | + 100                  |
| PP                  | Polypropylene                     | + 5                         | + 105 | + 105                  |
| PP FV               | Reinforced polypropylene          | + 5                         | + 115 | + 115                  |
| PE (UHMWPE)         | Polyethylene                      | - 40                        | + 80  | + 70                   |
| POM                 | Acetal                            | - 40                        | + 80  | + 65                   |
| Rex-LF®             | Acetal                            | - 40                        | + 80  | + 65                   |
| AISI 303 - AISI 304 | Austenitic stainless steel (18/8) | - 70                        | + 430 | + 120                  |
| Fe Zn               | Zinc plated steel                 | - 40                        | + 180 | -                      |
| OT                  | Nickel plated brass               | - 40                        | + 180 | + 120                  |

|              | Page.     |              | Page.     |              | Page.     |             | Page.     |
|--------------|-----------|--------------|-----------|--------------|-----------|-------------|-----------|
| Part. S0010  | S140      | Part. S0174Q | S167      | Part. S0298  | S135      | Part. S0422 | S012-S062 |
| Part. S0016  | S208      | Part. S0174R | S166      | Part. S0302  | S197      | Part. S0437 | S129      |
| Part. S0018  | S217      | Part. S0179  | S046      | Part. S0303  | S197      | Part. R0441 | R40       |
| Part. S0019  | S217      | Part. R0180  | R56       | Part. S0308  | S054      | Part. S0446 | S119      |
| Part. S0020  | S208      | Part. S0182  | S198      | Part. S0310  | S023      | Part. S0451 | S129      |
| Part. S0021  | S208      | Part. S0183  | S198      | Part. S0317  | S056      | Part. S0454 | S182      |
| Part. R0031  | R49       | Part. S0184  | S134      | Part. R0323  | R18-R19   | Part. S0455 | S209      |
| Part. S0050  | S132      | Part. S0185  | S200      | Part. S0336  | S154      | Part. S0478 | S129      |
| Part. R0055  | R54       | Part. R0187  | R55       | Part. S0337  | S194      | Part. R0479 | R22-R23   |
| Part. S0061  | S152      | Part. S0190  | S134      | Part. S0338  | S155      | Part. S0518 | S193      |
| Part. S0063  | S209      | Part. S0191  | S068      | Part. S0339  | S168      | Part. S0523 | S041-S042 |
| Part. S0070  | S130      | Part. S0192  | S150      | Part. S0340  | S166      | Part. S0524 | S040      |
| Part. S0071  | S130      | Part. S0198  | S174      | Part. S0341  | S190      | Part. R0528 | R50       |
| Part. S0072  | S139      | Part. S0199  | S172      | Part. S0341C | S191      | Part. R0529 | R51       |
| Part. S0073  | S030      | Part. S0210  | S118      | Part. S0342  | S190      | Part. S0533 | S043      |
| Part. S0075  | S214      | Part. S0210P | S118      | Part. S0346  | S058      | Part. S0535 | S081      |
| Part. S0076  | S208      | Part. S0211  | S119      | Part. R0349  | R40       | Part. S0537 | S081      |
| Part. S0079  | S214      | Part. S0213  | S120      | Part. S0356  | S023      | Part. S0539 | S065      |
| Part. S0081  | S138      | Part. S0214  | S125      | Part. S0359  | S148      | Part. S0540 | S146      |
| Part. S0082  | S128      | Part. S0215  | S027-S123 | Part. S0362  | S007      | Part. S0545 | S153      |
| Part. S0082B | S128      | Part. S0216  | S027-S123 | Part. S0363  | S209      | Part. S0550 | S018      |
| Part. S0082P | S128      | Part. S0217  | S124      | Part. S0366  | S014      | Part. S0551 | S020      |
| Part. S0085  | S140      | Part. S0218  | S117      | Part. S0367  | S014      | Part. R0552 | R10-R11   |
| Part. S0088  | S138      | Part. S0219  | S057      | Part. S0368  | S015      | Part. S0554 | S036      |
| Part. S0089  | S139      | Part. S0223  | S025      | Part. S0369  | S062      | Part. S0555 | S038      |
| Part. R0094  | R16-R17   | Part. R0224  | R57       | Part. S0370  | S012-S062 | Part. S0556 | S036      |
| Part. S0095  | S209      | Part. S0226  | S154      | Part. S0371  | S017      | Part. S0557 | S074-S076 |
| Part. S0097  | S140      | Part. S0227  | S151      | Part. S0372  | S192      | Part. S0559 | S016      |
| Part. R0098  | R14-R15   | Part. S0233  | S056-S116 | Part. S0373  | S136      | Part. S0560 | S034      |
| Part. S0107  | S141      | Part. S0236  | S126      | Part. S0376  | S068      | Part. S0561 | S034      |
| Part. S0107S | S147      | Part. S0237  | S126      | Part. S0377  | S068      | Part. S0562 | S180      |
| Part. S0111  | S127      | Part. S0241  | S003      | Part. S0378  | S069      | Part. S0563 | S180      |
| Part. S0112  | S216      | Part. S0242  | S009      | Part. S0379  | S069      | Part. S0564 | S181      |
| Part. S0114  | S216      | Part. S0243  | S003      | Part. R0383  | R52       | Part. S0565 | S046      |
| Part. S0116  | S127      | Part. S0244  | S006      | Part. R0384  | R52       | Part. S0566 | S047      |
| Part. S0124  | S179      | Part. S0247  | S057      | Part. R0385  | R52       | Part. S0567 | S206      |
| Part. S0125  | S030-S031 | Part. S0251  | S005      | Part. S0386  | S002      | Part. S0568 | S207      |
| Part. S0126  | S030      | Part. S0255  | S148      | Part. S0387  | S008      | Part. S0569 | S207      |
| Part. S0128  | S114-S115 | Part. S0256  | S149      | Part. S0388  | S031      | Part. S0570 | S075-S077 |
| Part. S0128S | S114      | Part. S0260  | S194-S195 | Part. S0393  | S055      | Part. S0580 | S074-S076 |
| Part. R0133  | R20-R21   | Part. S0261  | S005      | Part. S0396  | S012      | Part. S0581 | S070-S072 |
| Part. R0134  | R26       | Part. S0262  | S002      | Part. R0399  | R52       | Part. S0585 | S070-S072 |
| Part. S0137  | S182      | Part. S0263  | S009      | Part. R0403  | R50       | Part. S0586 | S071-S073 |
| Part. S0140  | S142      | Part. R0269  | R08-R09   | Part. R0406  | R51       | Part. S0592 | S047      |
| Part. S0142  | S152      | Part. S0272  | S196      | Part. R0408  | R41       | Part. S0594 | S051      |
| Part. S0153  | S029      | Part. S0273  | S061      | Part. S0415  | S183      | Part. S0595 | S168      |
| Part. S0159  | S129      | Part. S0274  | S025      | Part. S0416  | S183      | Part. S0596 | S055      |
| Part. S0168  | S173      | Part. S0275  | S028-S119 | Part. S0417  | S181      | Part. S0599 | S141      |
| Part. R0169  | R25       | Part. S0280  | S175      | Part. S0418  | S184      | Part. R0600 | R48       |
| Part. R0173  | R12-R13   | Part. S0296  | S068      | Part. S0419  | S184      | Part. S0605 | S066-S067 |
| Part. S0174  | S166      | Part. R0297  | R27       | Part. S0421  | S031      | Part. S0606 | S066-S067 |

## Numerical Index

|              | Page.     |              | Page.       |              | Page.               |                | Page.     |
|--------------|-----------|--------------|-------------|--------------|---------------------|----------------|-----------|
| Part. S0611  | S177      | Part. S0678  | S156        | Part. R0748  | R42                 | Part. S0834    | S048      |
| Part. S0612  | S212-S213 | Part. S0679  | S156        | Part. R0748F | R43                 | Part. S0835    | S050      |
| Part. S0613  | S037      | Part. S0680  | S157        | Part. R0749  | R42                 | Part. S0837    | S218      |
| Part. S0614  | S037      | Part. S0681  | S157        | Part. R0750  | R44                 | Part. S0838    | S048      |
| Part. S0615  | S176      | Part. S0682  | S158        | Part. R0750F | R45                 | Part. S0839    | S050      |
| Part. S0616  | S179      | Part. S0683  | S159        | Part. R0750S | R46                 | Part. S0840    | S006      |
| Part. S0617  | S142      | Part. S0684  | S159        | Part. R0750S | R47                 | Part. S0846    | S202      |
| Part. S0618  | S177      | Part. S0685  | S185        | Part. R0751  | R44                 | Part. S0847    | S202      |
| Part. S0619  | S178      | Part. S0686  | S188        | Part. R0751F | R45                 | Part. S0848    | S203      |
| Part. S0621  | S017      | Part. S0687  | S188        | Part. R0751S | R46                 | Part. S0849    | S203      |
| Part. R0622  | R32-R33   | Part. S0688  | S189        | Part. R0751S | R47                 | Part. S0850    | S204      |
| Part. R0623  | R34-R35   | Part. S0689  | S189        | Part. R0752  | R44                 | Part. S0852    | S103      |
| Part. S0624  | S039      | Part. S0690  | S185        | Part. R0752S | R46                 | Part. S0854    | S103      |
| Part. S0625  | S199      | Part. S0691  | S163        | Part. S0754  | S091-S093           | Part. S0856    | S094-S096 |
| Part. R0626  | R28-R29   | Part. S0692  | S162        | Part. S0755  | S083-S085           | Part. S0857    | S095-S097 |
| Part. R0627  | R30-R31   | Part. S0694  | S124        | Part. S0756  | S090-S092           | Part. S0858    | S016      |
| Part. R0628  | R36-R37   | Part. S0698  | S131        | Part. S0757  | S082-S084           | Part. S0862    | S149      |
| Part. S0628S | S080      | Part. S0699  | S161        | Part. S0758  | S038                | Part. S0864    | S204      |
| Part. R0629  | R38-R39   | Part. R0701  | R53         | Part. S0759  | S104-S105           | Part. S0868    | S086-S088 |
| Part. S0632  | S143      | Part. R0702  | R53         | Part. S0760  | S104-S105           | Part. S0869    | S087-S089 |
| Part. S0633  | S170      | Part. R0703  | R53         | Part. S0763  | S165                | Part. R0869    | R24       |
| Part. S0634  | S010      | Part. S0704  | S160        | Part. S0764  | S024                | Part. S0870    | S106      |
| Part. S0635  | S144      | Part. S0705  | S160        | Part. S0765  | S023-S061           | Part. S0871    | S107      |
| Part. S0636  | S144      | Part. S0706  | S187        | Part. S0766  | S024                | Part. S0872    | S108      |
| Part. S0637  | S145      | Part. S0707  | S186        | Part. S0767  | S022-S060           | Part. S0873    | S109      |
| Part. S0638  | S145      | Part. S0708  | S137        | Part. S0768  | S022-S060           | Part. S0874    | S110      |
| Part. S0639  | S063      | Part. S0709  | S173        | Part. S0769  | S059                | Part. S0875    | S111      |
| Part. S0640  | S063      | Part. S0715  | S052        | Part. S0770  | S059                | Part. S0876    | S112      |
| Part. S0641  | S063      | Part. S0716  | S052        | Part. S0771  | S049                | Part. S0877    | S113      |
| Part. S0642  | S064      | Part. S0717  | S052        | Part. S0775  | S199                | Part. S0884    | S013      |
| Part. S0643  | S064      | Part. S0718  | S161        | Part. S0776  | S049                | Part. S0885    | S013-S015 |
| Part. S0644  | S065      | Part. S0721  | S078        | Part. S0777  | S101                | Part. S0886    | S013-S015 |
| Part. S0645  | S065      | Part. S0725  | S153        | Part. S0778  | S038                | Part. S0902    | S026-S125 |
| Part. S0646  | S133      | Part. R0726  | R24-R25-R27 | Part. S0782  | S035                | Part. S0903    | S026-S123 |
| Part. S0647  | S133      | Part. S0727  | S032        | Part. S0783  | S035                | Part. S0905    | S210-S211 |
| Part. S0654  | S051      | Part. S0728  | S032        | Part. S0784  | S007                | Part. F        | B22       |
| Part. S0655  | S171      | Part. S0729  | S040        | Part. S0786  | S169                | Part. FC       | B62       |
| Part. S0656  | S098-S099 | Part. S0730  | S079        | Part. S0787  | S035                | Part. FL       | B40       |
| Part. S0657  | S039      | Part. S0732  | S164        | Part. S0788  | S102                | Part. HCF      | B18       |
| Part. S0661  | S164      | Part. S0733  | S078        | Part. S0789  | S053                | Part. HCF/C    | B14       |
| Part. S0662  | S131      | Part. S0734  | S201        | Part. S0794  | S106-S108-S110-S112 | Part. HCF/CL   | B16       |
| Part. S0663  | S163      | Part. S0736  | S121        | Part. S0814  | S010                | Part. HCFB     | B52       |
| Part. S0666  | S215      | Part. S0737  | S121        | Part. S0822  | S004                | Part. HCFB/C   | B50       |
| Part. S0667  | S215      | Part. S0738  | S121        | Part. S0823  | S053                | Part. HCFL     | B36       |
| Part. S0668  | S215      | Part. S0739  | S122        | Part. S0824  | S008                | Part. HCFL/C   | B32       |
| Part. S0669  | S019      | Part. S0739P | S122        | Part. S0825  | S004                | Part. HCFL/CL  | B34       |
| Part. S0671  | S201      | Part. S0740  | S122        | Part. S0826  | S033                | Part. HCFLN    | B30       |
| Part. S0672  | S206      | Part. S0740P | S122        | Part. S0827  | S033                | Part. HCFLN/C  | B26       |
| Part. S0674  | S011      | Part. S0742  | S011        | Part. S0829  | S101                | Part. HCFLN/CL | B28       |
| Part. S0676  | S132      | Part. R0747  | R42         | Part. S0832  | S053                | Part. HCFLS/C  | B38       |
| Part. S0677  | S158      | Part. R0747F | R43         | Part. S0833  | S021                | Part. HCFN     | B12       |



|                 | Page. |                | Page. |
|-----------------|-------|----------------|-------|
| Part. HCFN/C    | B08   | Part. UCFC     | B60   |
| Part. HCFN/CL   | B10   | Part. UCFC/C   | B58   |
| Part. HCFS/C    | B20   | Part. UCFL     | B36   |
| Part. HCFX/T    | B24   | Part. UCFL/C   | B32   |
| Part. HCP       | B44   | Part. UCFL/CL  | B34   |
| Part. HCP/C     | B42   | Part. UCFLN    | B30   |
| Part. HCPA      | B48   | Part. UCFLN/C  | B26   |
| Part. HCPA/C    | B46   | Part. UCFLN/CL | B28   |
| Part. HCT       | B56   | Part. UCFLS/C  | B38   |
| Part. HCT/C     | B54   | Part. UCFN     | B12   |
| Part. SBF       | B64   | Part. UCFN/C   | B08   |
| Part. SF        | B22   | Part. UCFN/CL  | B10   |
| Part. SHCF      | B18   | Part. UCFS/C   | B20   |
| Part. SHCF/C    | B14   | Part. UCFX/T   | B24   |
| Part. SHCF/CL   | B16   | Part. UCP      | B44   |
| Part. SHCFL     | B36   | Part. UCP/C    | B42   |
| Part. SHCFL/C   | B32   | Part. UCPA     | B48   |
| Part. SHCFL/CL  | B34   | Part. UCPA/C   | B46   |
| Part. SHCFLN    | B30   | Part. UCT      | B56   |
| Part. SHCFLN/C  | B26   | Part. UCT/C    | B54   |
| Part. SHCFLN/CL | B28   |                |       |
| Part. SHCFLS/C  | B38   |                |       |
| Part. SHCFN     | B12   |                |       |
| Part. SHCFN/C   | B08   |                |       |
| Part. SHCFN/CL  | B10   |                |       |
| Part. SHCFN/T   | B04   |                |       |
| Part. SHCFN/TL  | B06   |                |       |
| Part. SHCFS/C   | B20   |                |       |
| Part. SHCFX/T   | B24   |                |       |
| Part. SUCF      | B18   |                |       |
| Part. SUCF/C    | B14   |                |       |
| Part. SUCF/CL   | B16   |                |       |
| Part. SUCFL     | B36   |                |       |
| Part. SUCFL/C   | B32   |                |       |
| Part. SUCFL/CL  | B34   |                |       |
| Part. SUCFLN    | B30   |                |       |
| Part. SUCFLN/C  | B26   |                |       |
| Part. SUCFLN/CL | B28   |                |       |
| Part. SUCFLS/C  | B38   |                |       |
| Part. SUCFN     | B12   |                |       |
| Part. SUCFN/C   | B08   |                |       |
| Part. SUCFN/CL  | B10   |                |       |
| Part. SUCFN/T   | B04   |                |       |
| Part. SUCFN/TL  | B06   |                |       |
| Part. SUCFS/C   | B20   |                |       |
| Part. SUCFX/T   | B24   |                |       |
| Part. UCF       | B18   |                |       |
| Part. UCF/C     | B14   |                |       |
| Part. UCF/CL    | B16   |                |       |
| Part. UCFB      | B52   |                |       |
| Part. UCFB/C    | B50   |                |       |

## Why Choose Rexnord?

When it comes to providing highly engineered products that improve productivity and efficiency for industrial applications worldwide, Rexnord is the most reliable in the industry. Commitment to customer satisfaction and superior value extend across every business function.

### Delivering Lowest Total Cost of Ownership

The highest quality products are designed to help prevent equipment downtime and increase productivity and dependable operation.

### Valuable Expertise

An extensive product offering is accompanied by global sales specialists, customer service and maintenance support teams, available anytime.

### Solutions to Enhance Ease of Doing Business

Commitment to operational excellence ensures the right products at the right place at the right time.

## Rexnord Corporation

Rexnord is a growth-oriented, multi-platform industrial company with leading market shares and highly trusted brands that serve a diverse array of global end markets.

### Process and Motion Control

The Rexnord Process and Motion Control platform designs, manufactures, markets and services specified, highly engineered mechanical components used within complex systems where our customers' reliability requirements and the cost of failure or downtime are extremely high.

### Water Management

The Rexnord Water Management platform designs, procures, manufactures and markets products that provide and enhance water quality, safety, flow control and conservation.



**Rex**® **FALK** **Link-Belt**® **mar/bett**® **MCC** **BERG** **highfield** **Stearns**®